



US00D766611S

(12) **United States Design Patent** (10) **Patent No.:** **US D766,611 S**  
**Bileth** (45) **Date of Patent:** **\*\* Sep. 20, 2016**

(54) **MOUNTABLE OBJECT HOLDER**

FOREIGN PATENT DOCUMENTS

(71) Applicant: **Jeffrey A. Bileth**, Caledonia, MI (US)

FR 2392637 6/1977

(72) Inventor: **Jeffrey A. Bileth**, Caledonia, MI (US)

*Primary Examiner* — Wan Laymon

*Assistant Examiner* — Mark Booker

(\*\*) Term: **14 Years**

(74) *Attorney, Agent, or Firm* — Gardner, Linn, Burkhardt & Flory, LLP

(21) Appl. No.: **29/516,312**

(57) **CLAIM**

(22) Filed: **Jan. 30, 2015**

The ornamental design for the mountable object holder, as shown and described.

**Related U.S. Application Data**

**DESCRIPTION**

(63) Continuation of application No. 13/927,867, filed on Jun. 26, 2013, now Pat. No. 8,967,562.

FIG. 1 is a front side perspective view of the mountable object holder showing the design in an environment of use with other mountable object holders;

(51) **LOC (10) Cl.** ..... **07-99**

FIG. 2 is a rear perspective view of the mountable object holder of FIG. 1 showing the design in an environment of use;

(52) **U.S. Cl.**

USPC ..... **D6/512**

FIG. 3 is a right side front perspective view of the mountable object holder of FIG. 1;

(58) **Field of Classification Search**

USPC ..... D6/512, 524, 528, 534, 540; D9/749; 206/209.1, 362.1, 362.2, 362.3; 211/13.1, 70.6, 87.01, 89.01, 66, 211/86.01; 220/23.4, 254, 811; 248/206.5, 248/311.2, 683

FIG. 4 is a left side front perspective view of the mountable object holder of FIG. 1;

CPC ..... A45D 27/29; B26B 21/00; B26B 21/06; B26B 29/00; A47G 23/0225; A47G 23/0266; H01F 7/0252; B60N 3/103; B25H 1/0071; F16M 13/022

FIG. 5 is a right side rear perspective view of the mountable object holder of FIG. 1;

See application file for complete search history.

FIG. 6 is a left side rear perspective view of the mountable object holder of FIG. 1;

(56) **References Cited**

**U.S. PATENT DOCUMENTS**

D274,584 S \* 7/1984 Crouse ..... D6/524  
4,721,216 A \* 1/1988 Kinder ..... A47G 23/0216  
215/393  
5,456,436 A 10/1995 Faudie  
5,484,066 A \* 1/1996 Luisi ..... B43K 23/002  
211/69.8  
5,490,607 A 2/1996 Hsieh et al.  
6,360,884 B1 3/2002 Smith et al.

FIG. 7 is a front elevation view of the mountable object holder of FIG. 1;

FIG. 8 is a right side elevation view of the mountable object holder of FIG. 1;

FIG. 9 is a left side elevation view of the mountable object holder of FIG. 1;

FIG. 10 is a top plan view of the mountable object holder of FIG. 1;

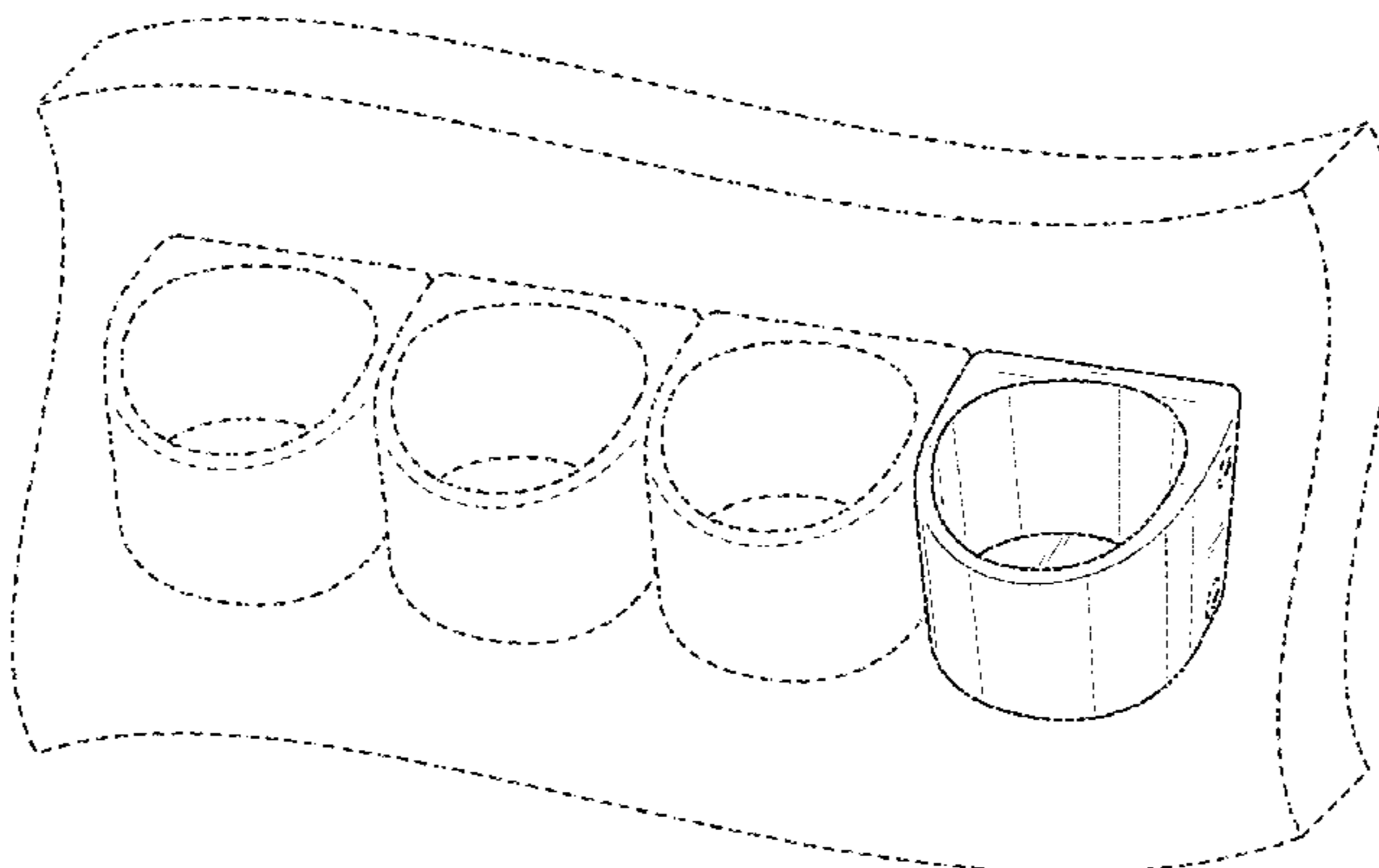
FIG. 11 is a bottom plan view of the mountable object holder of FIG. 1; and,

FIG. 12 is a rear elevation view of the mountable object holder of FIG. 1.

The broken lines shown in the figures represent portions of the mountable object holder that form no part of the claimed design.

(Continued)

**1 Claim, 12 Drawing Sheets**



# US D766,611 S

Page 2

---

(56)

## References Cited

### U.S. PATENT DOCUMENTS

6,560,983 B1 *	5/2003	Schimmeyer .....	B60N 3/104 248/311.2	7,802,680 B2	9/2010	Krebs et al.	
7,185,770 B1 *	3/2007	Roten .....	A47B 81/00 211/70.6	D669,681 S *	10/2012	Burkemper .....	D3/221
7,766,294 B2 *	8/2010	Schimmeyer .....	B60N 3/103 220/482	8,967,562 B1 *	3/2015	Bileth .....	F16M 13/022 220/23.2
				2004/0084593 A1 *	5/2004	Barfield .....	A47G 23/0225 248/311.2
				2011/0303808 A1	12/2011	Bileth	

\* cited by examiner

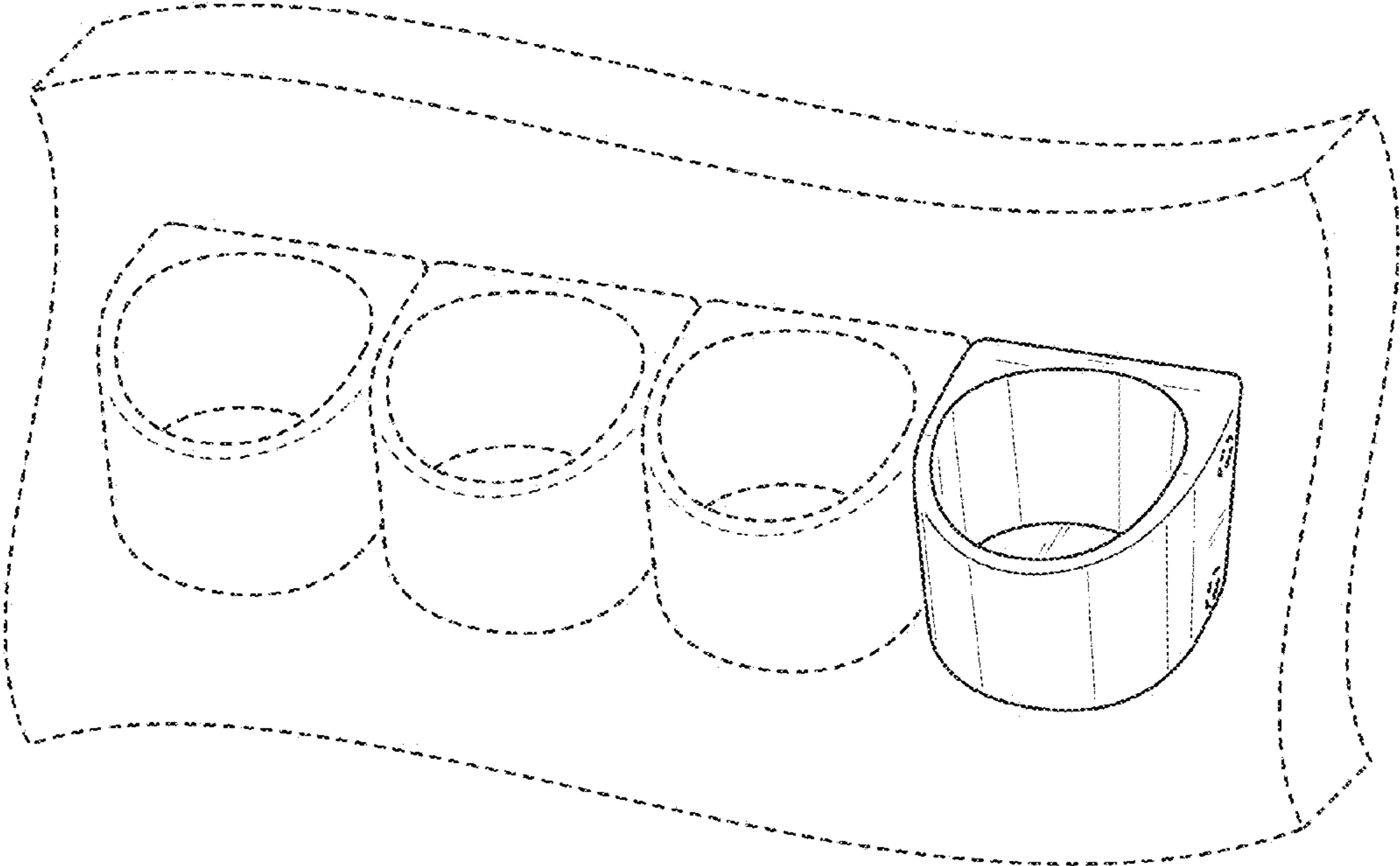


FIG. 1

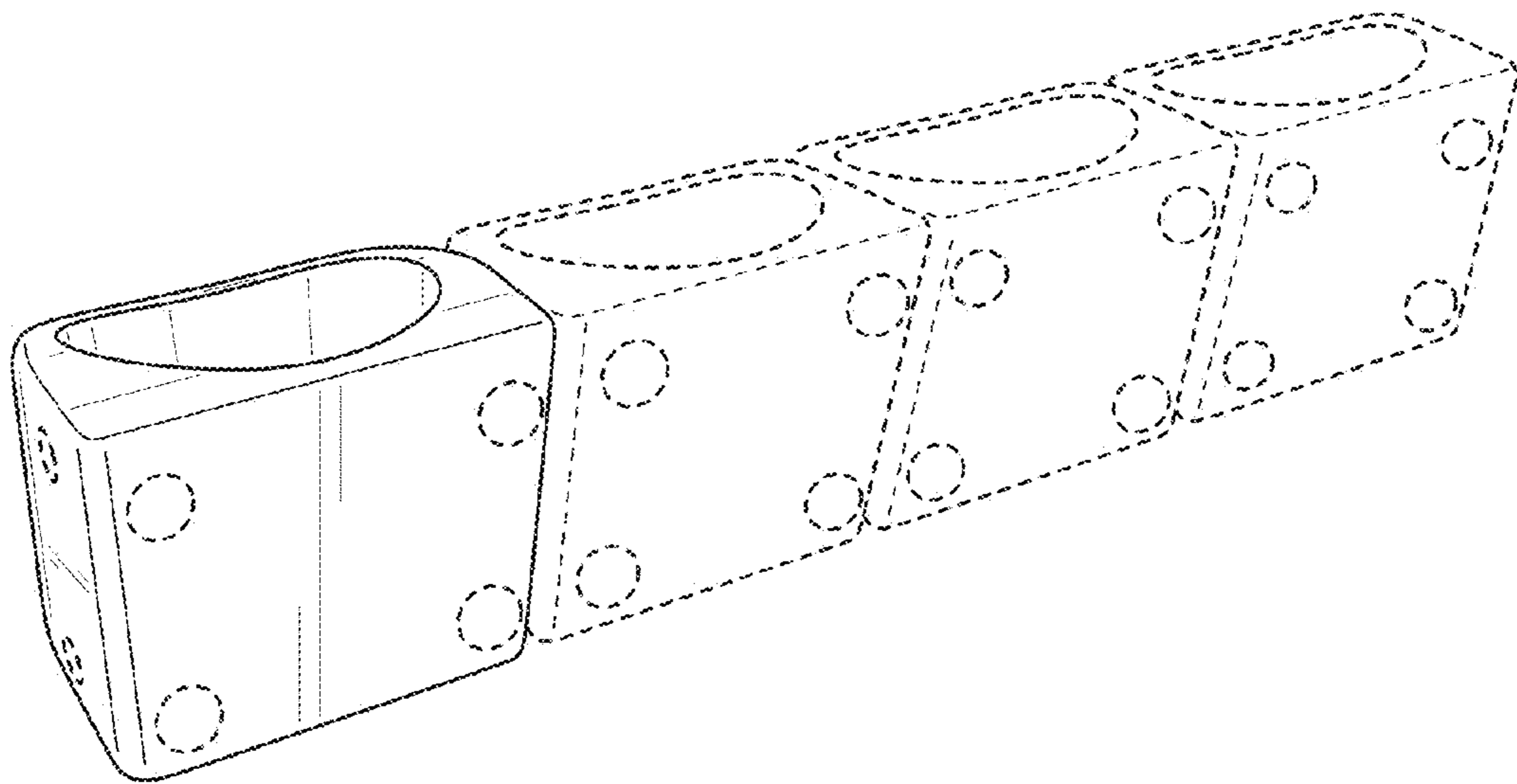


FIG. 2

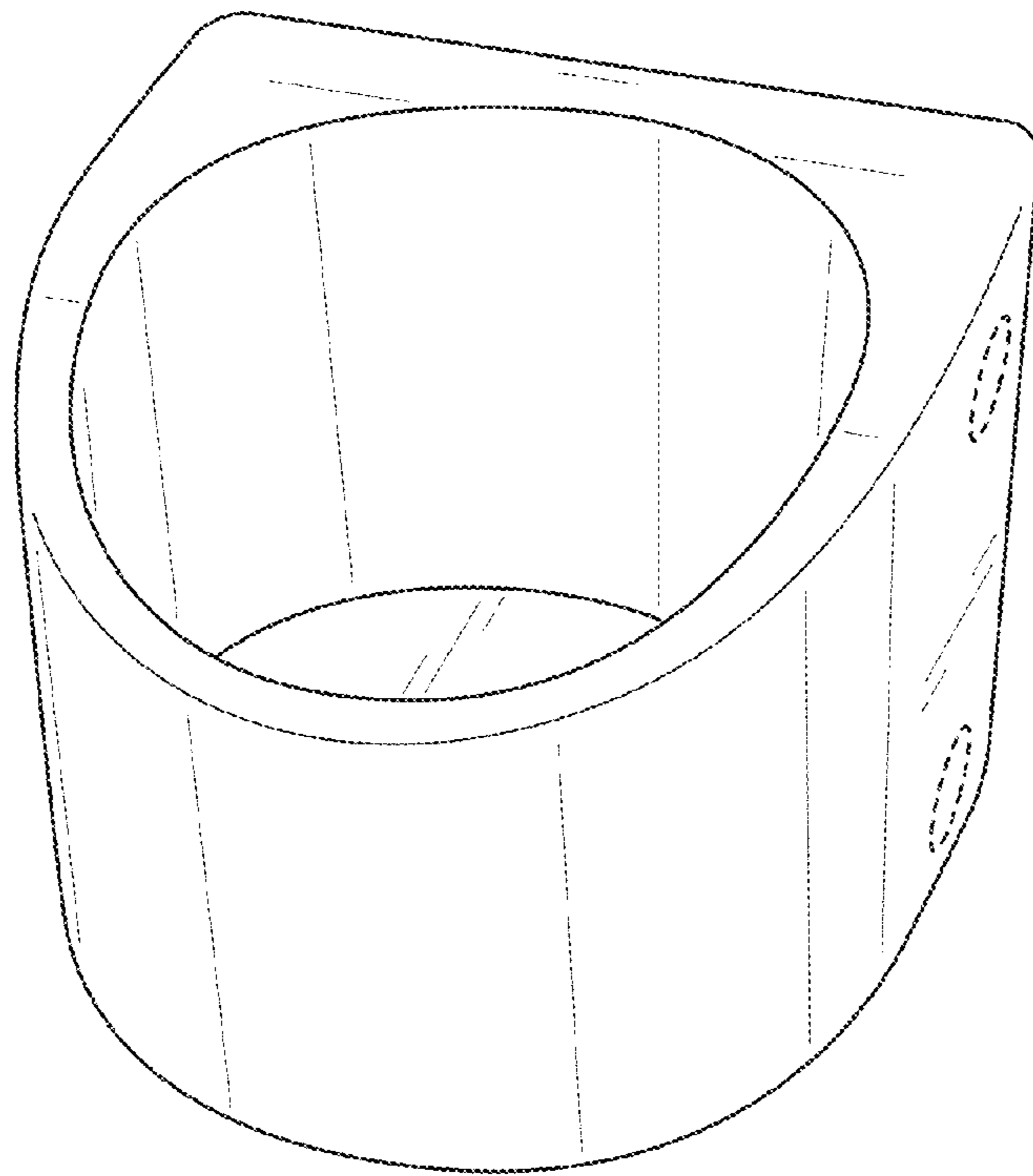


FIG. 3

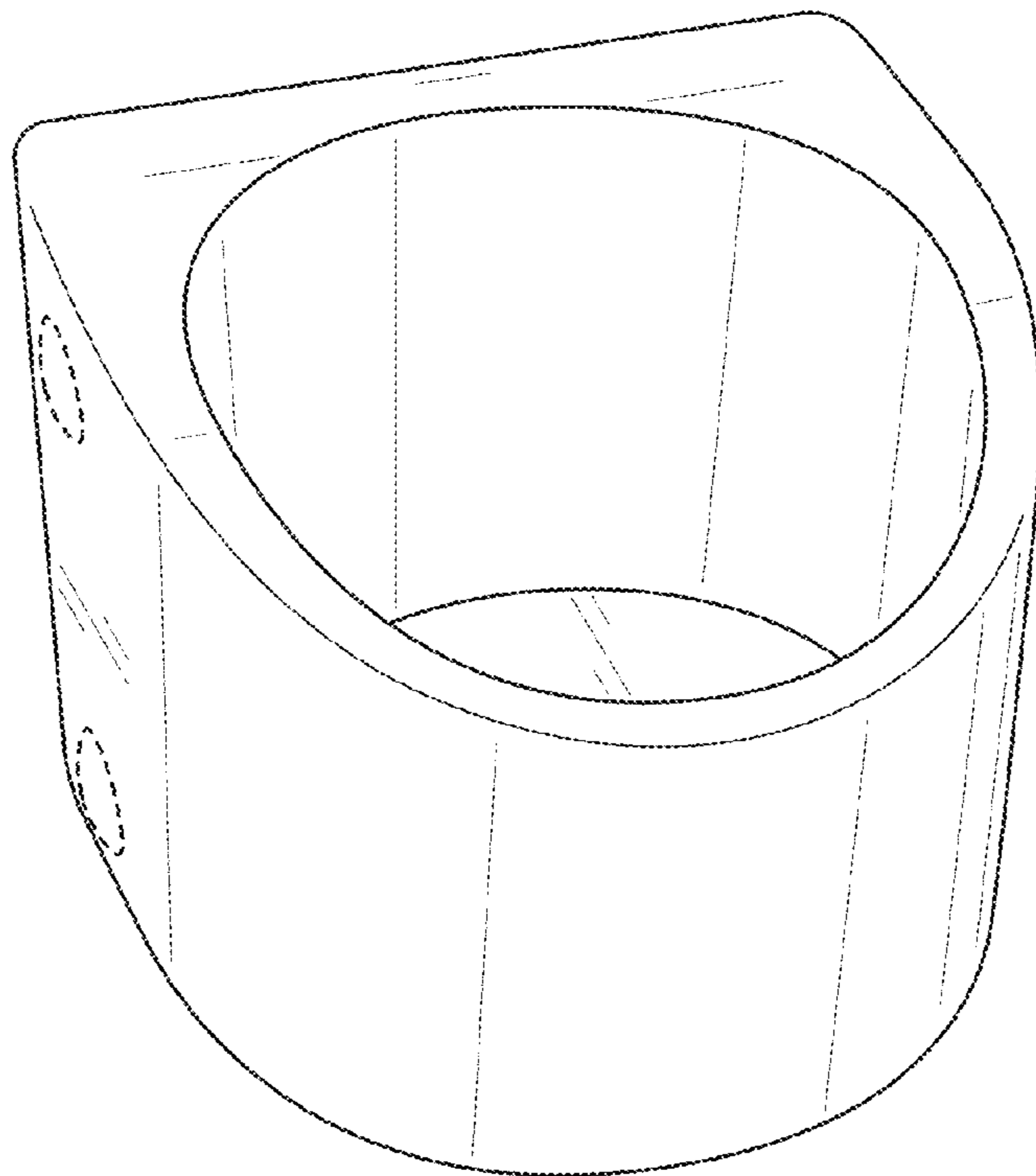


FIG. 4

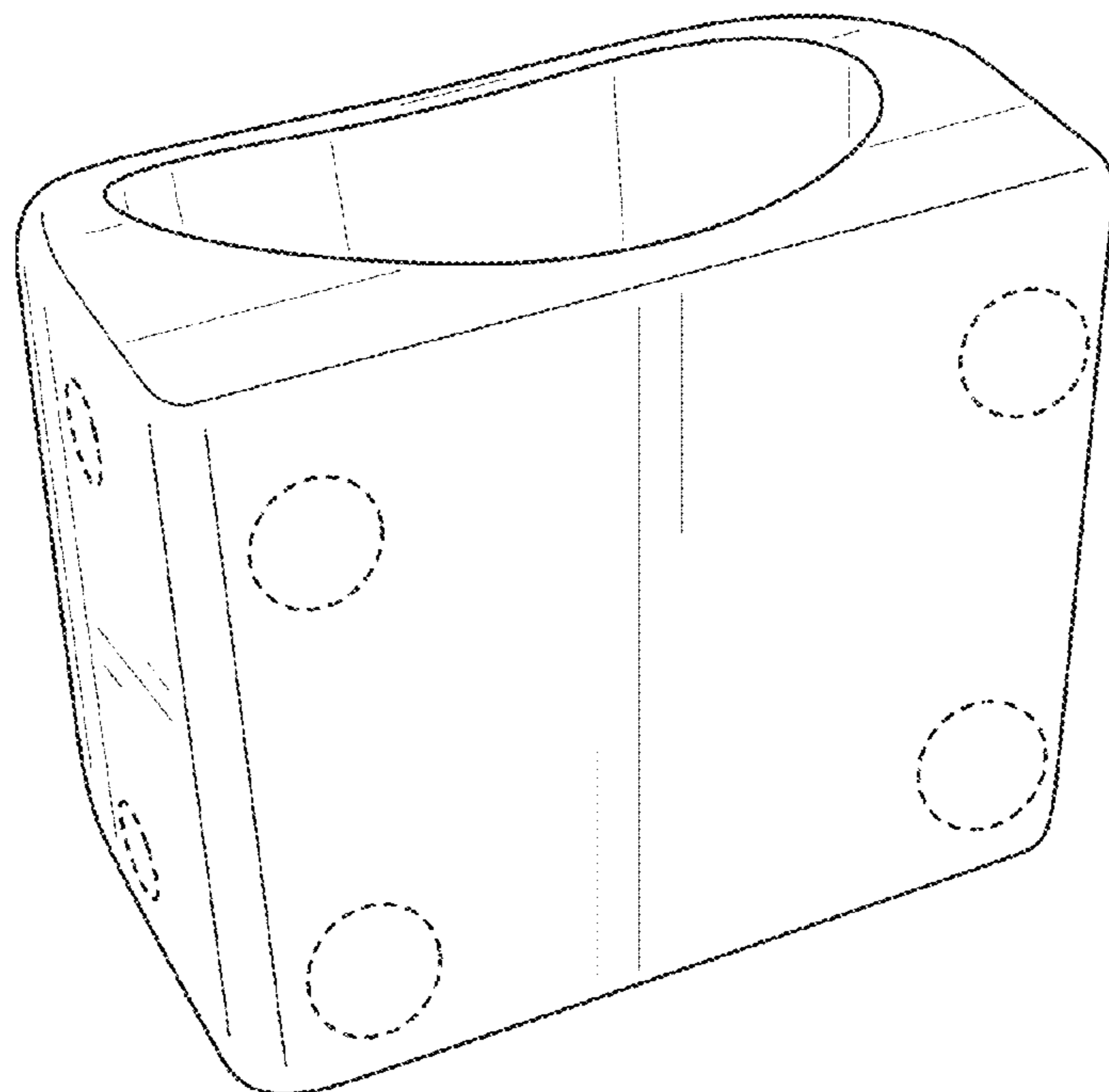


FIG. 5

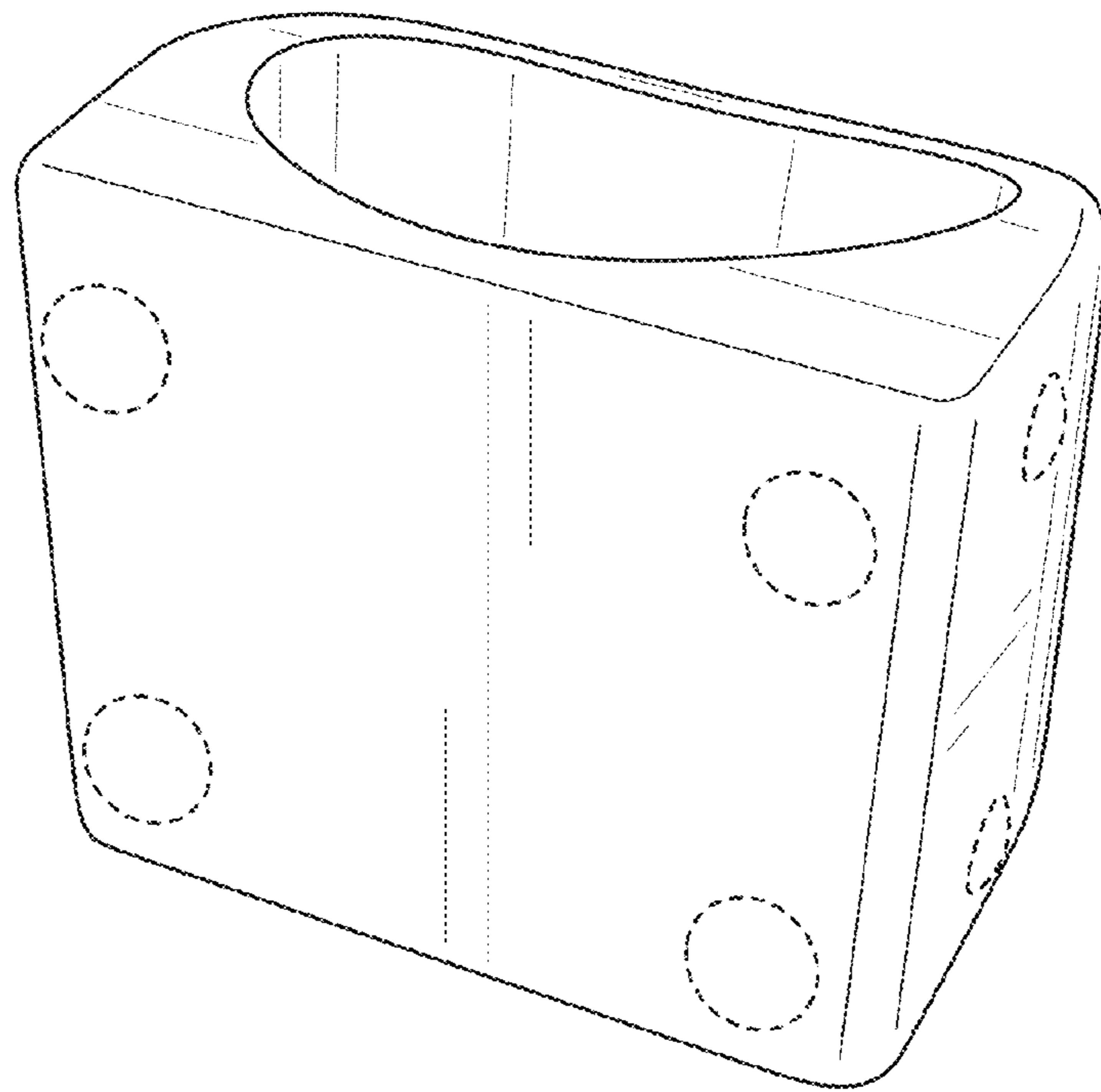


FIG. 6



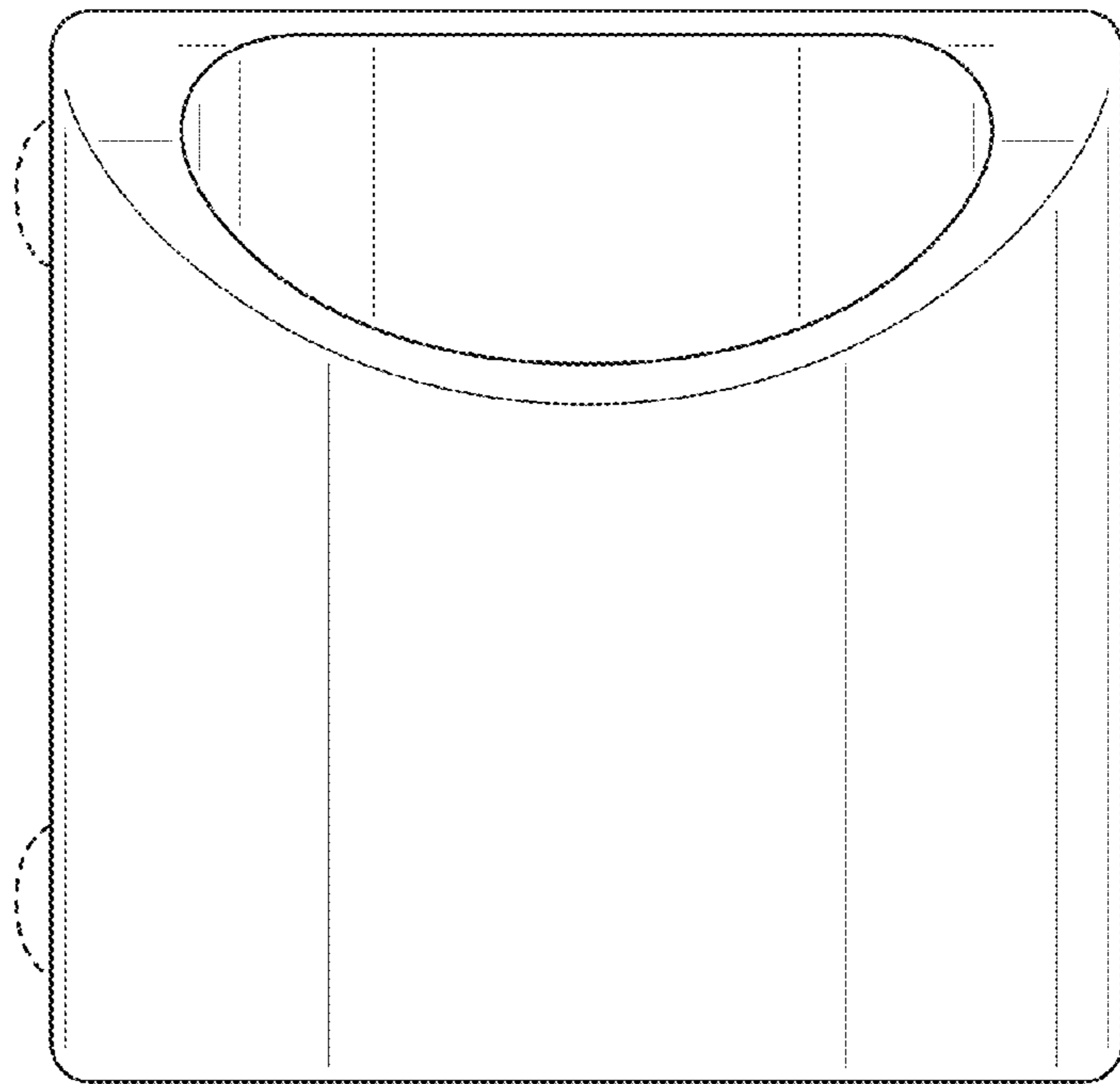


FIG. 7

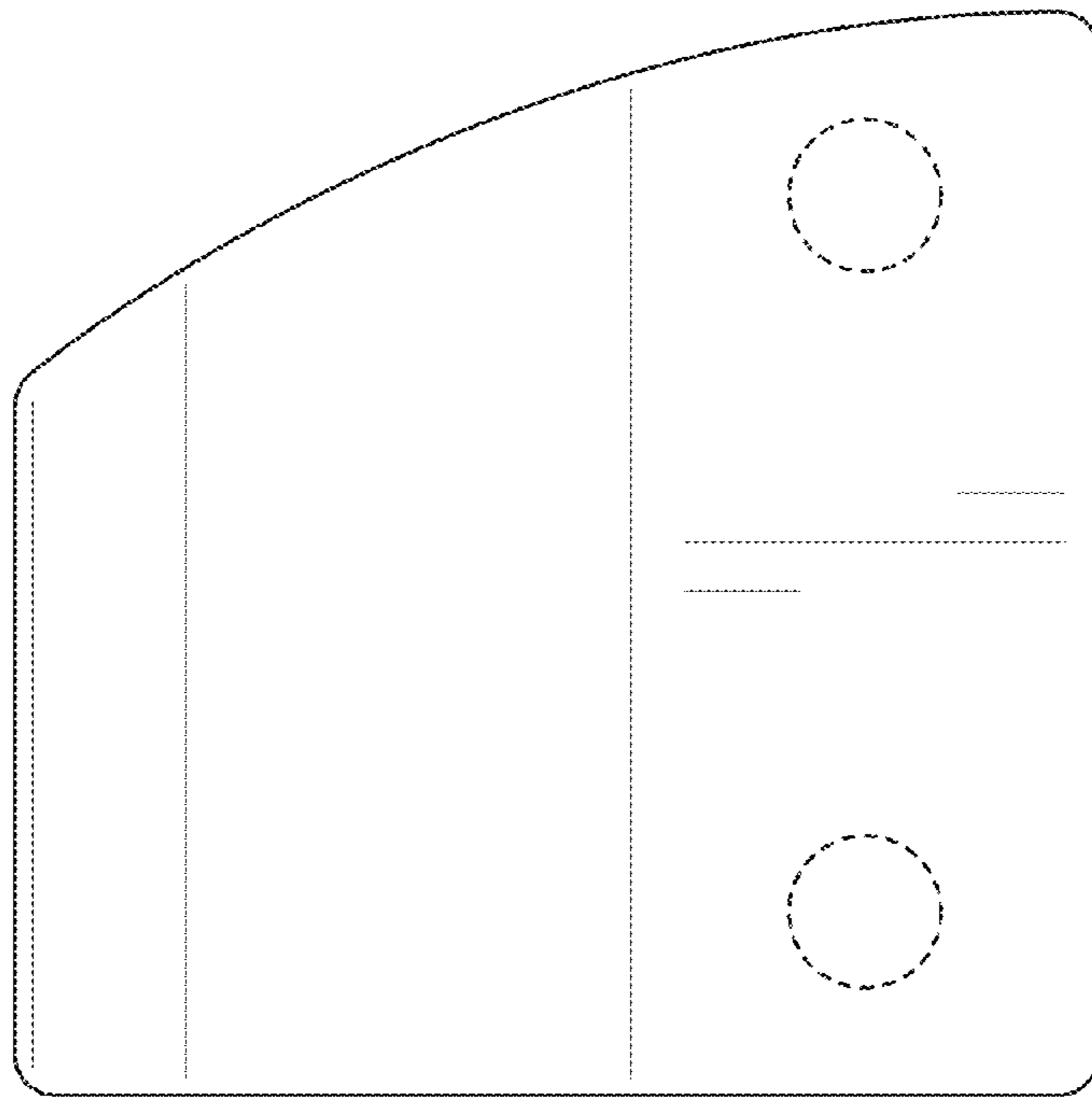


FIG. 8

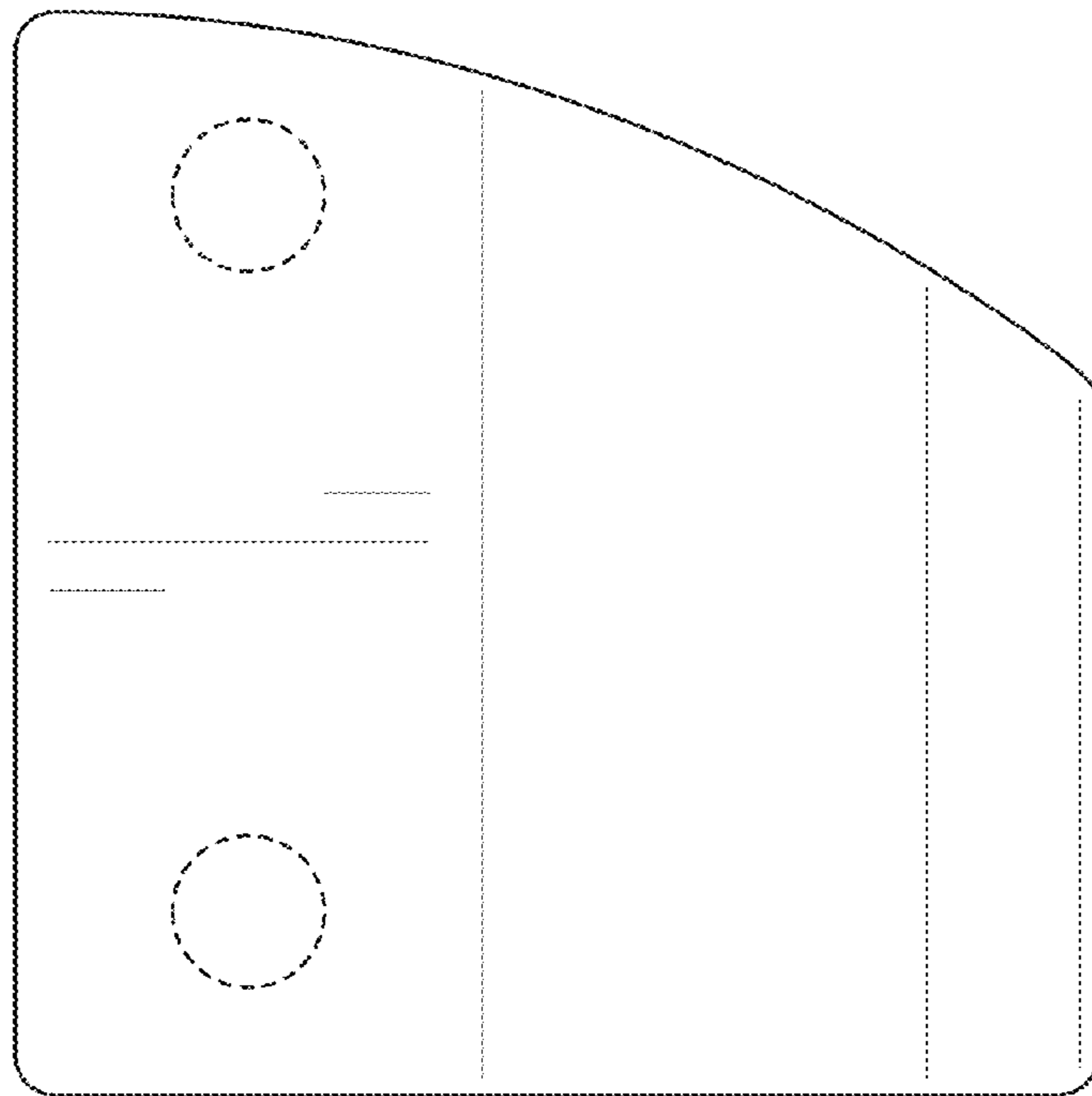


FIG. 9

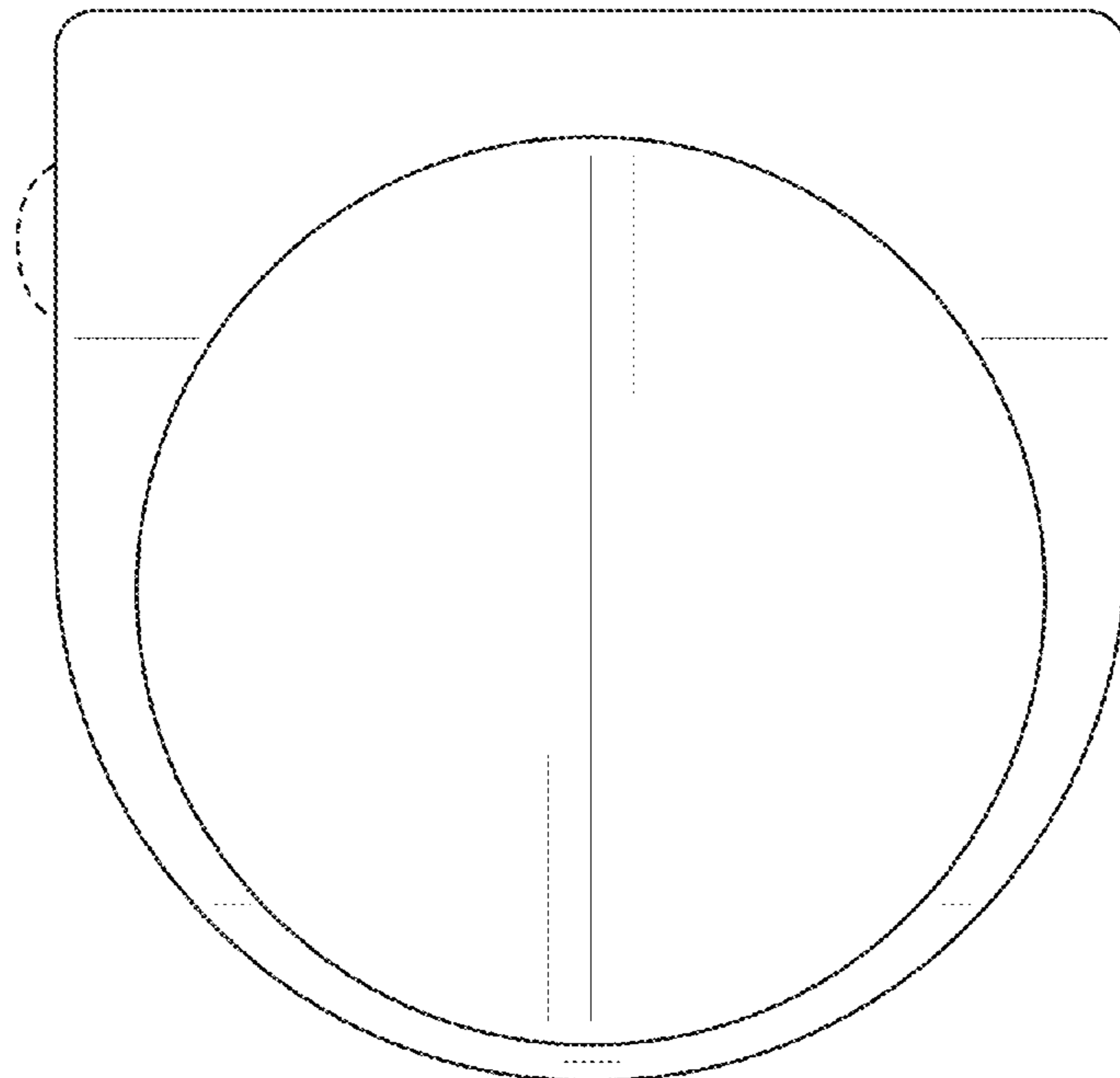


FIG. 10

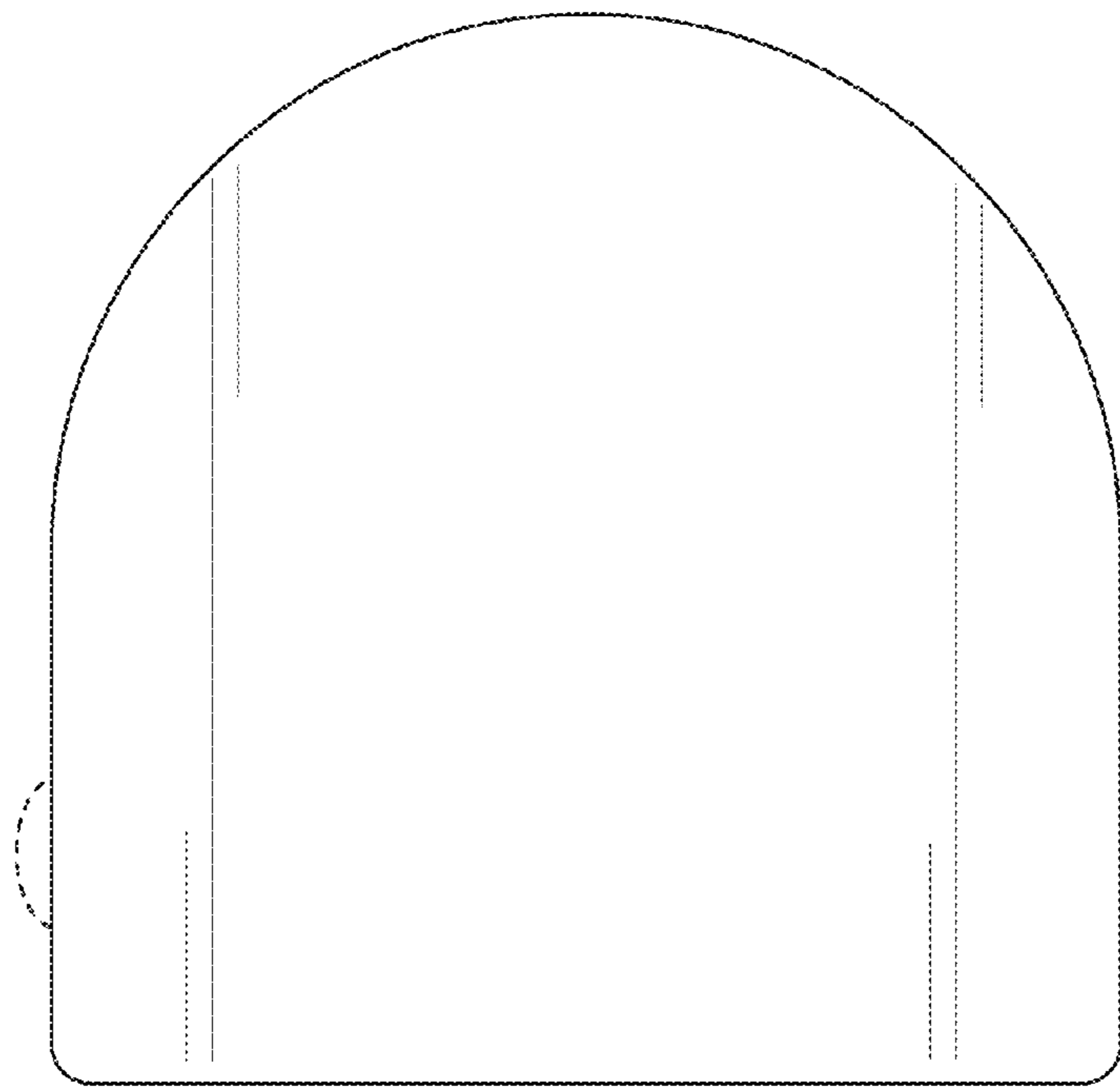


FIG. 11

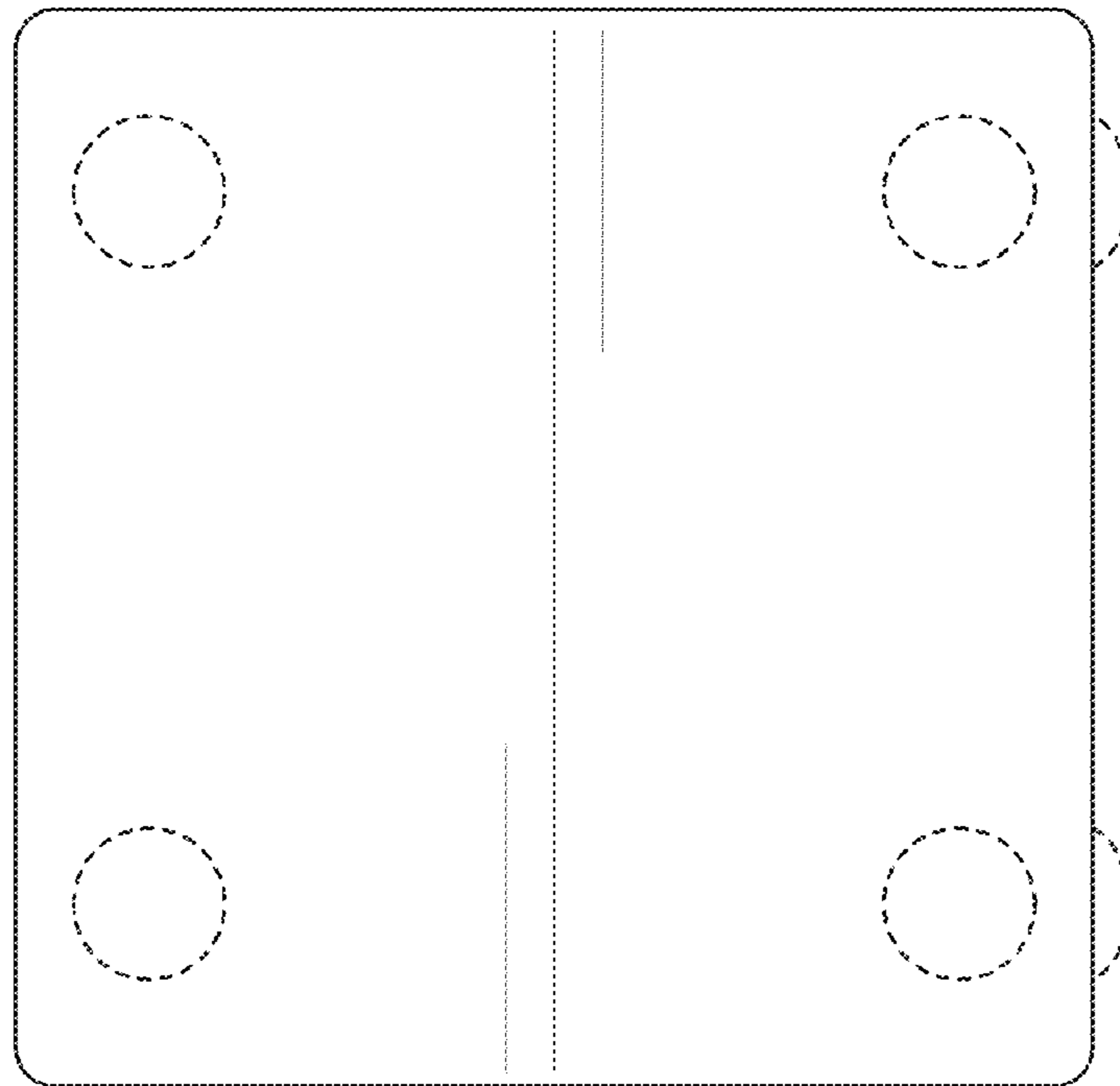


FIG. 12