

US00D766610S

(12) **United States Design Patent** (10) **Patent No.:** **US D766,610 S**
Johnson et al. (45) **Date of Patent:** **** Sep. 20, 2016**

- (54) **PASSENGER TRAY TABLE**
- (71) Applicant: **B/E Aerospace, Inc.**, Wellington, FL (US)
- (72) Inventors: **Glenn A. Johnson**, Rural Hall, NC (US); **Michael M. Princip**, Winston-Salem, NC (US)
- (73) Assignee: **B/E Aerospace, Inc.**, Wellington, FL (US)
- (**) Term: **15 Years**

D714,073 S * 9/2014 Pittman D6/406.2
 D737,750 S * 9/2015 Garrett D12/426.1
 D747,260 S * 1/2016 Cantrell D12/426.1

* cited by examiner

Primary Examiner — Kelley Donnelly
 (74) *Attorney, Agent, or Firm* — Shumaker, Loop & Kendrick, LLP

(57) **CLAIM**
 The ornamental design for a passenger tray table, as shown and described.

DESCRIPTION

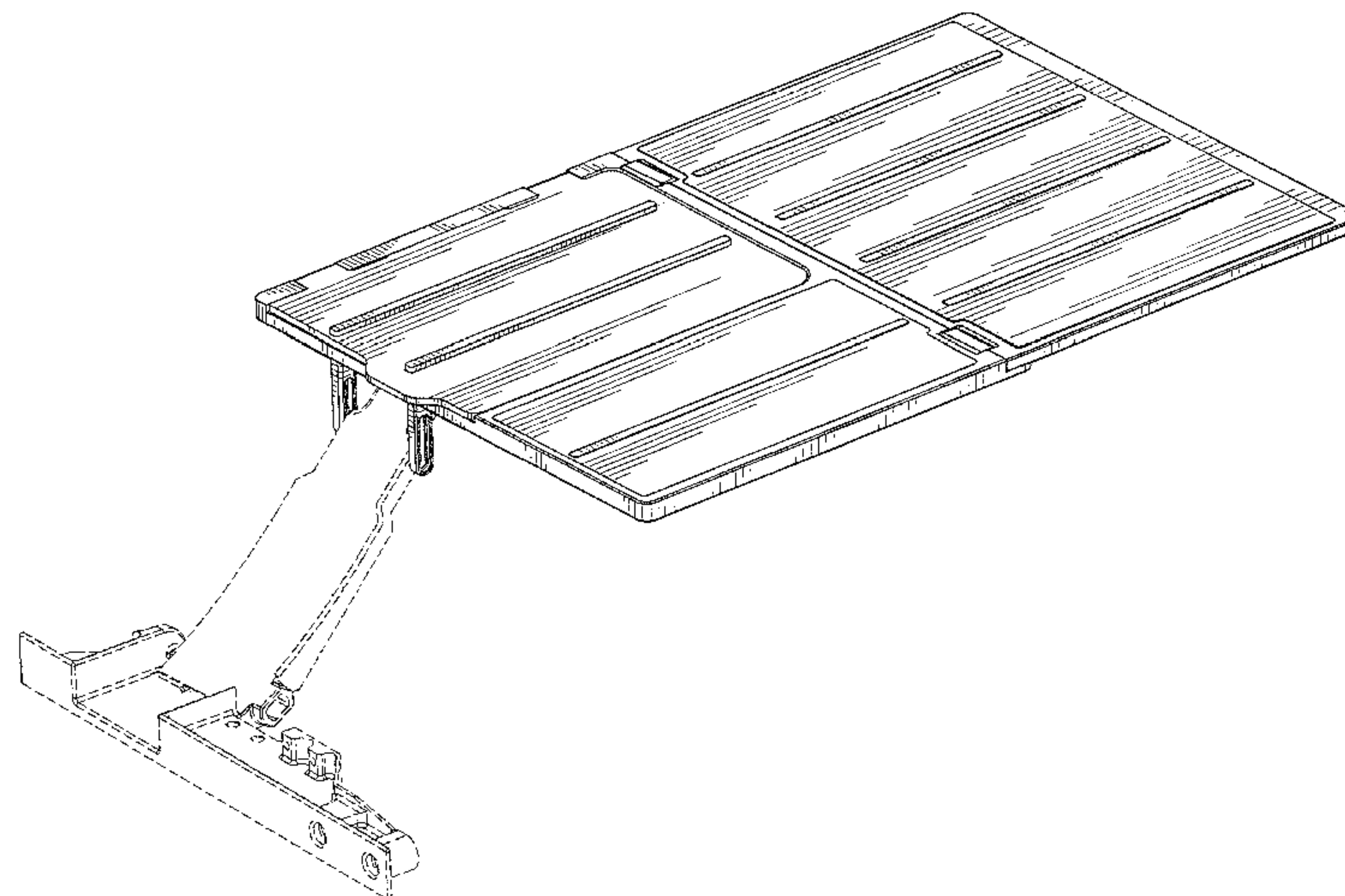
- (21) Appl. No.: **29/545,717**
- (22) Filed: **Nov. 16, 2015**
- (51) **LOC (10) Cl.** **06-06**
- (52) **U.S. Cl.**
USPC **D6/406.1**
- (58) **Field of Classification Search**
USPC D6/406.1–406.6, 426, 429; D7/552.1, D7/552.2, 554.1, 554.4, 550.1, 554.2, D7/554.3
CPC ... A47G 23/06; A47G 23/0616; A47G 23/08
See application file for complete search history.

FIG. 1 is a front and top perspective view of a passenger tray table showing our design;
 FIG. 2 is a front and top perspective view of the passenger tray table of FIG. 1 showing a support for a portable electronic device in a deployed use position;
 FIG. 3 is a front and top perspective view of a passenger tray table of FIG. 2;
 FIG. 4 is a rear and bottom perspective view of the passenger tray table of FIG. 2;
 FIG. 5 is a top plan view of the passenger tray table of FIG. 2;
 FIG. 6 is a bottom plan view of the passenger tray table of FIG. 2;
 FIG. 7 is a left side elevation view of the passenger tray table of FIG. 2;
 FIG. 8 is a right side elevation view of the passenger tray table of FIG. 2;
 FIG. 9 is a rear view of the passenger tray table of FIG. 2; and,
 FIG. 10 is a front view of the passenger tray table of FIG. 1.

The support arm shown in broken lines in the drawings illustrates a part of the passenger tray table that forms no part of the claimed invention.
 The portable electronic device shown in broken lines in FIG. 3 is provided to illustrate the use of the support and forms no part of the claimed invention.

1 Claim, 9 Drawing Sheets

- (56) **References Cited**
U.S. PATENT DOCUMENTS
- | | | | | | | |
|-----------|------|--------|------------|-------|-------------|-----------|
| 4,077,333 | A * | 3/1978 | Ballas | | A47B 23/046 | 108/6 |
| D295,348 | S * | 4/1988 | Muller | | D6/406.2 | |
| 6,240,856 | B1 * | 6/2001 | Paskey | | B25H 1/12 | 108/146 |
| 6,688,634 | B2 * | 2/2004 | Noffsinger | | B25H 3/06 | 280/47.19 |
| D514,057 | S * | 1/2006 | Borunda | | D12/426.1 | |
| D543,722 | S * | 6/2007 | Cookson | | D6/406.2 | |
| D620,276 | S * | 7/2010 | Miller | | D6/406.2 | |
| D644,237 | S * | 8/2011 | Hall, II | | D14/451 | |
| 8,100,061 | B2 * | 1/2012 | Hookway | | A47B 23/046 | 108/26 |



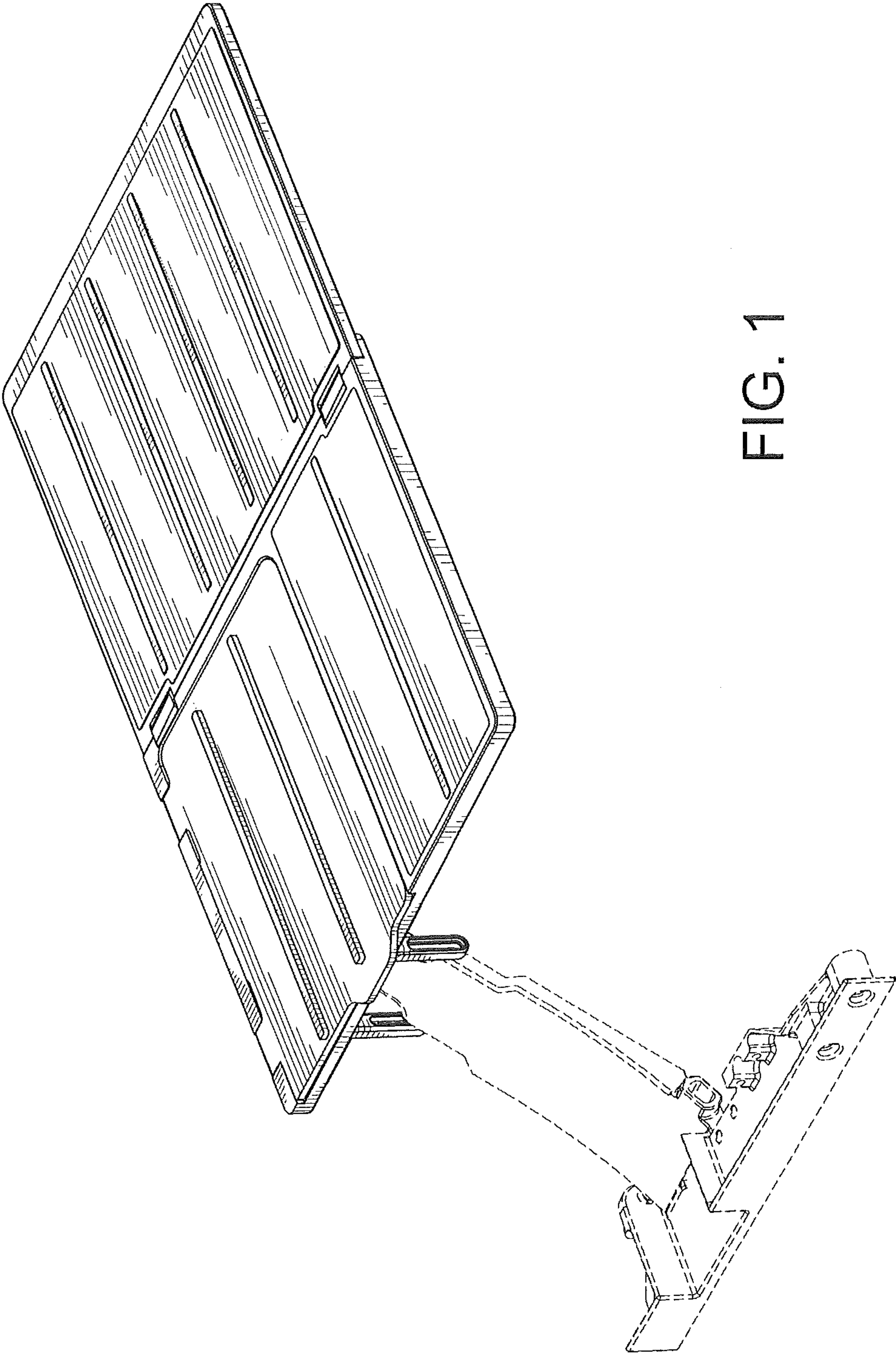


FIG. 1

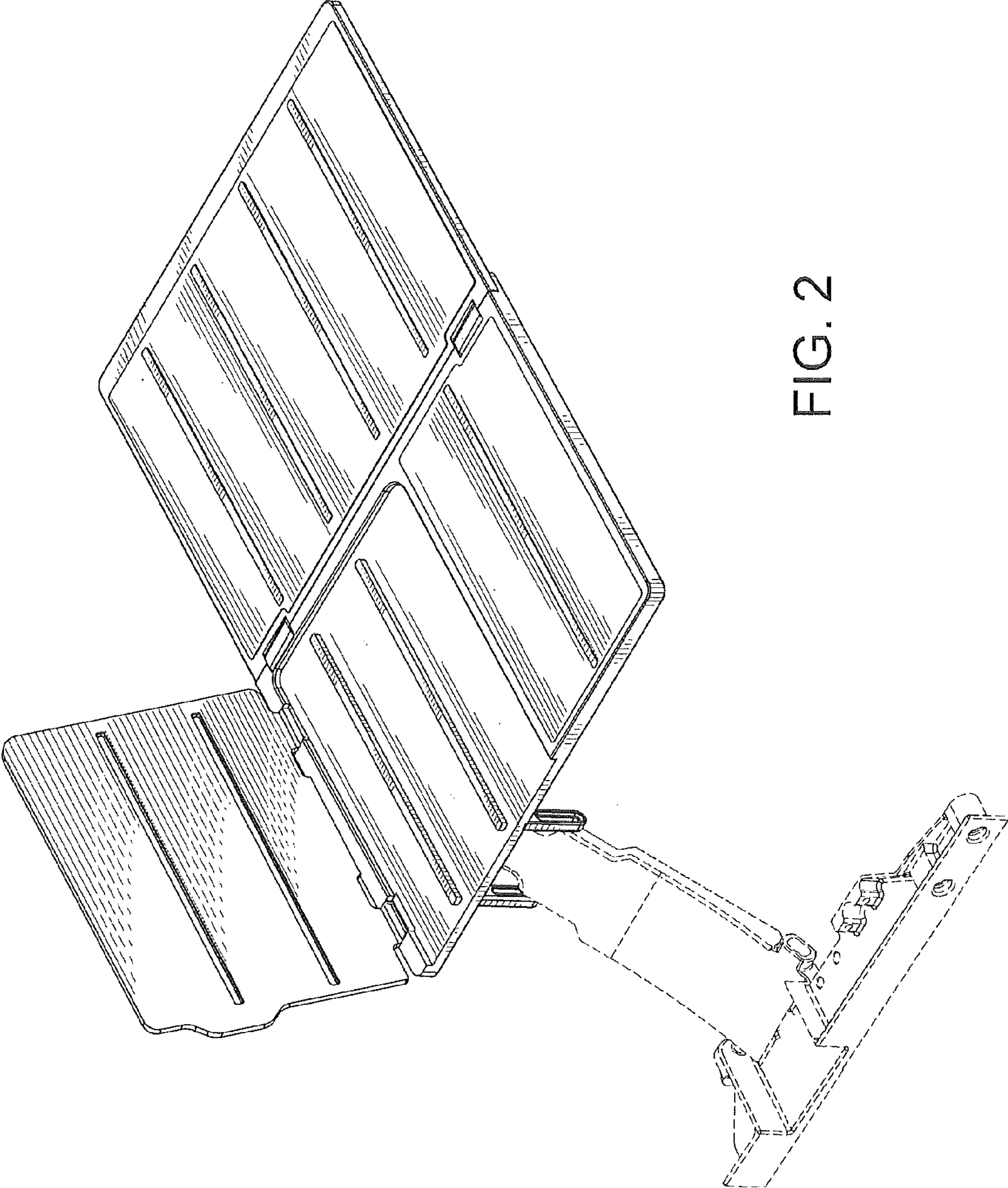


FIG. 2

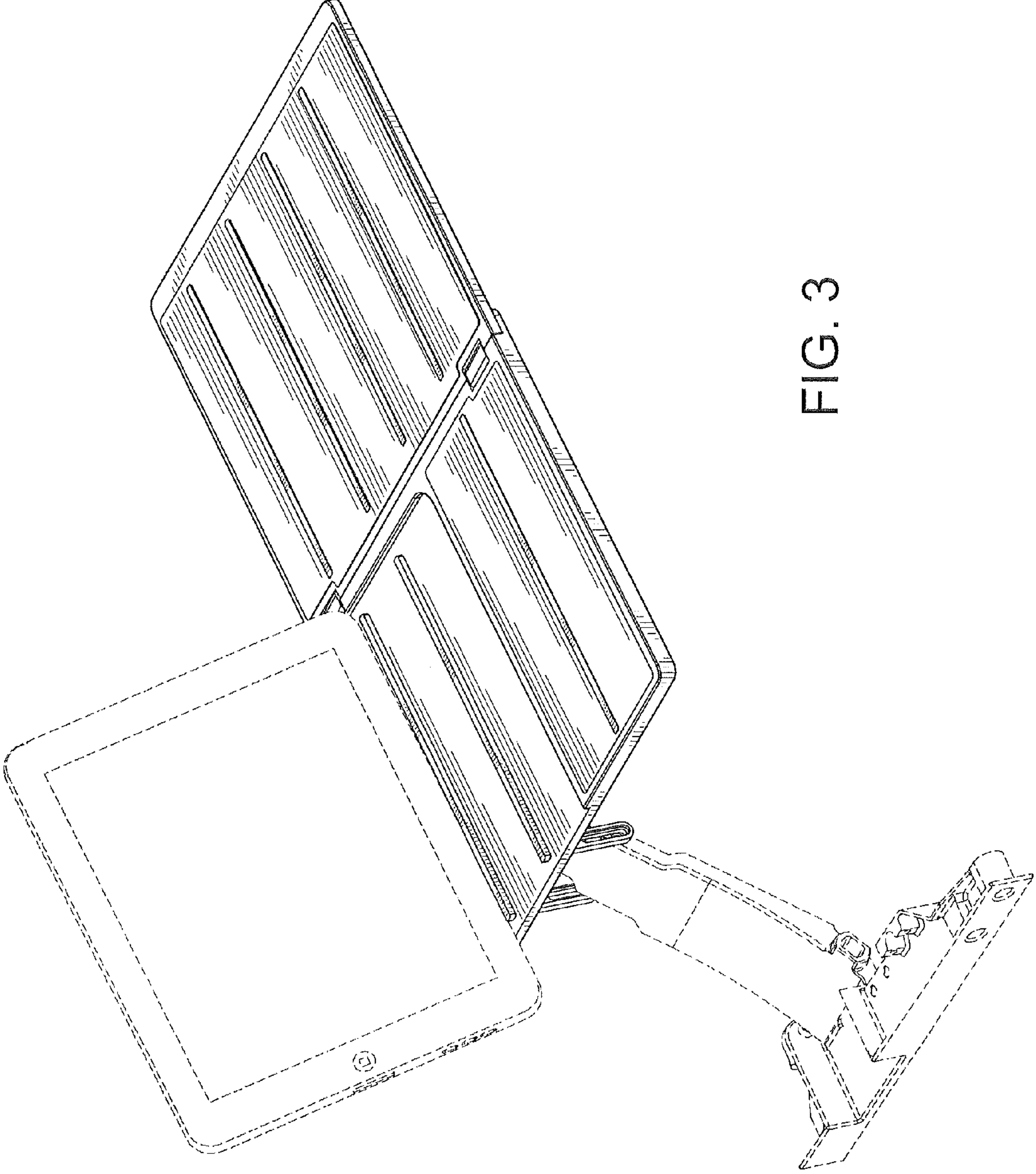


FIG. 3

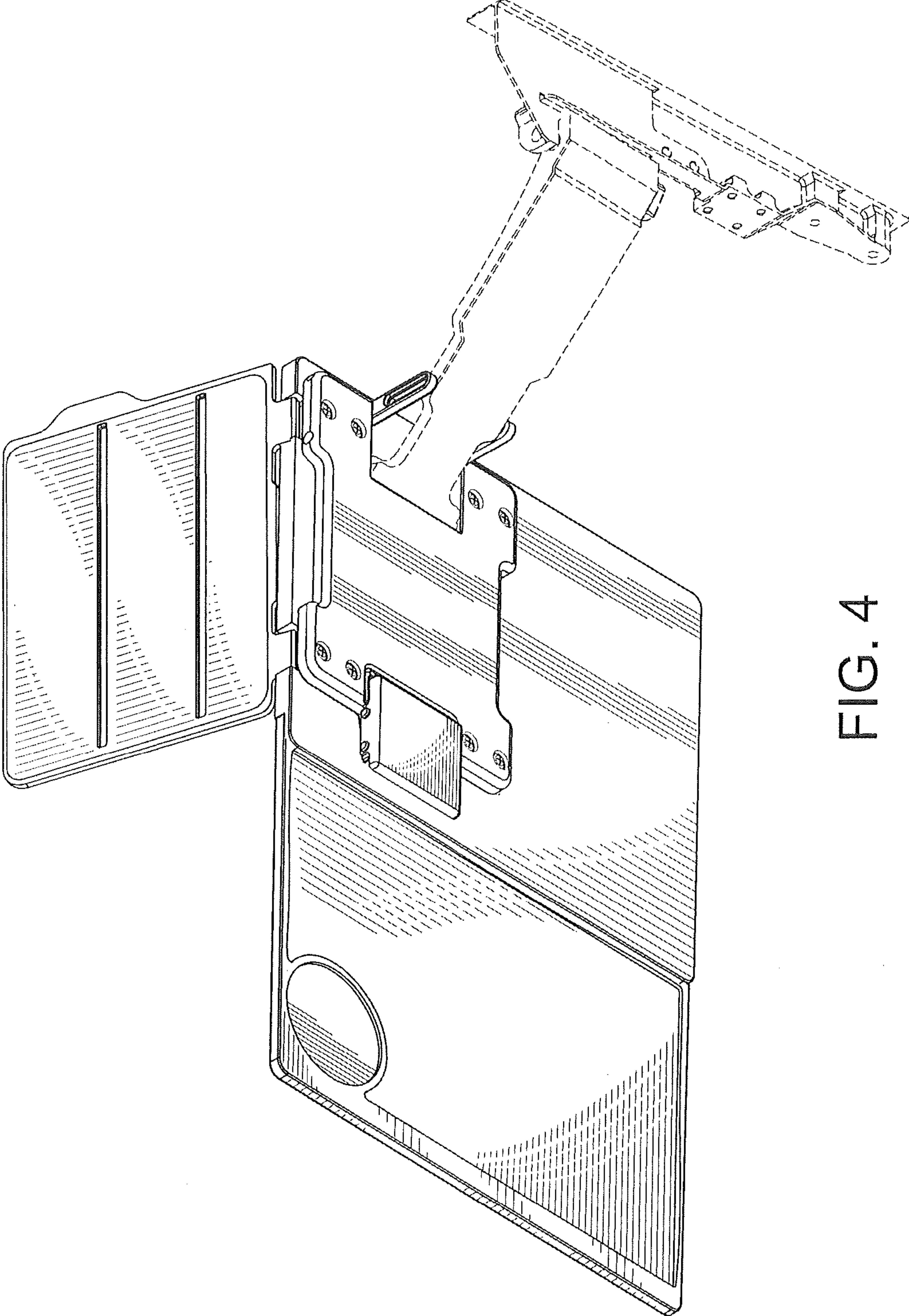


FIG. 4

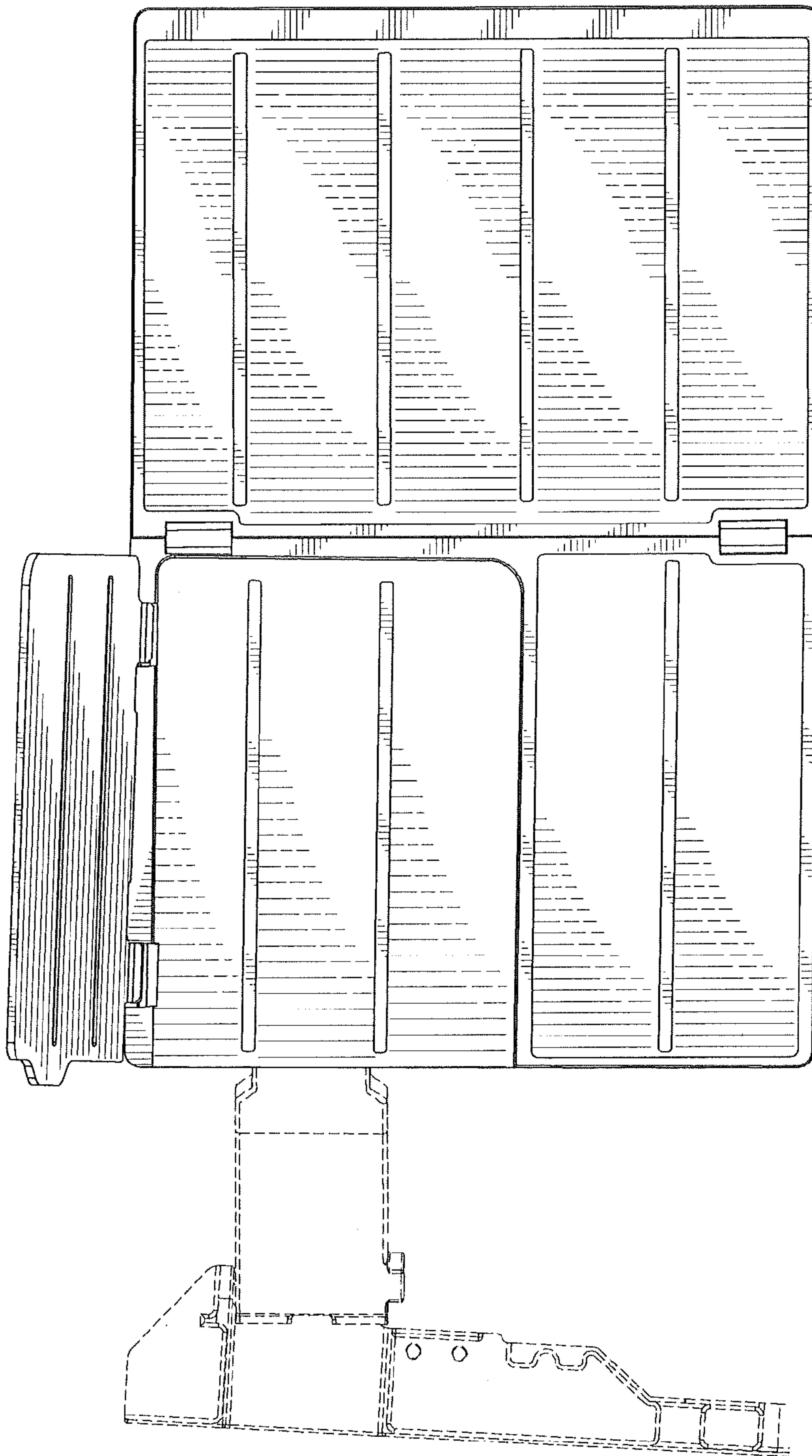


FIG. 5

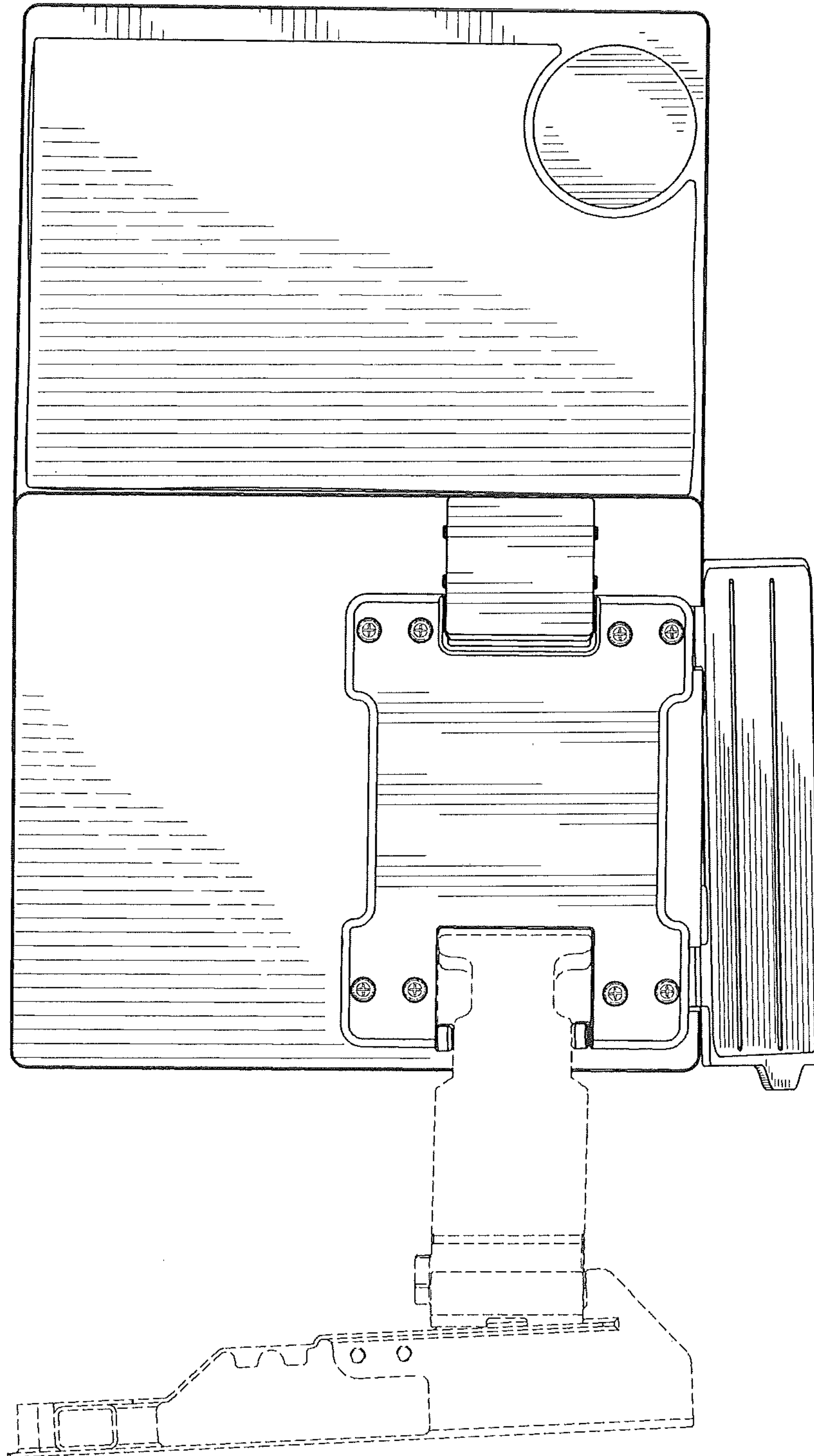


FIG. 6

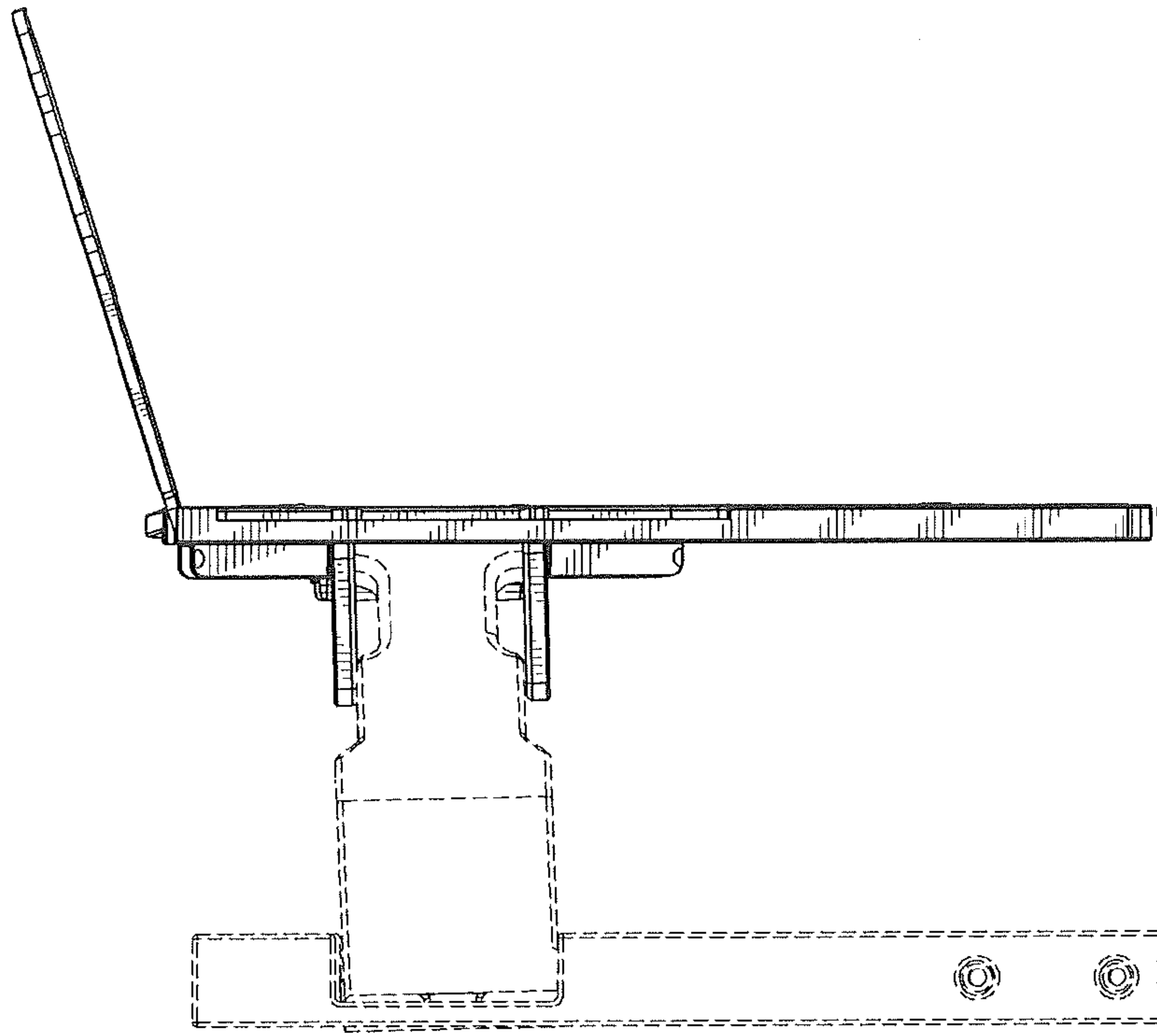


FIG. 7

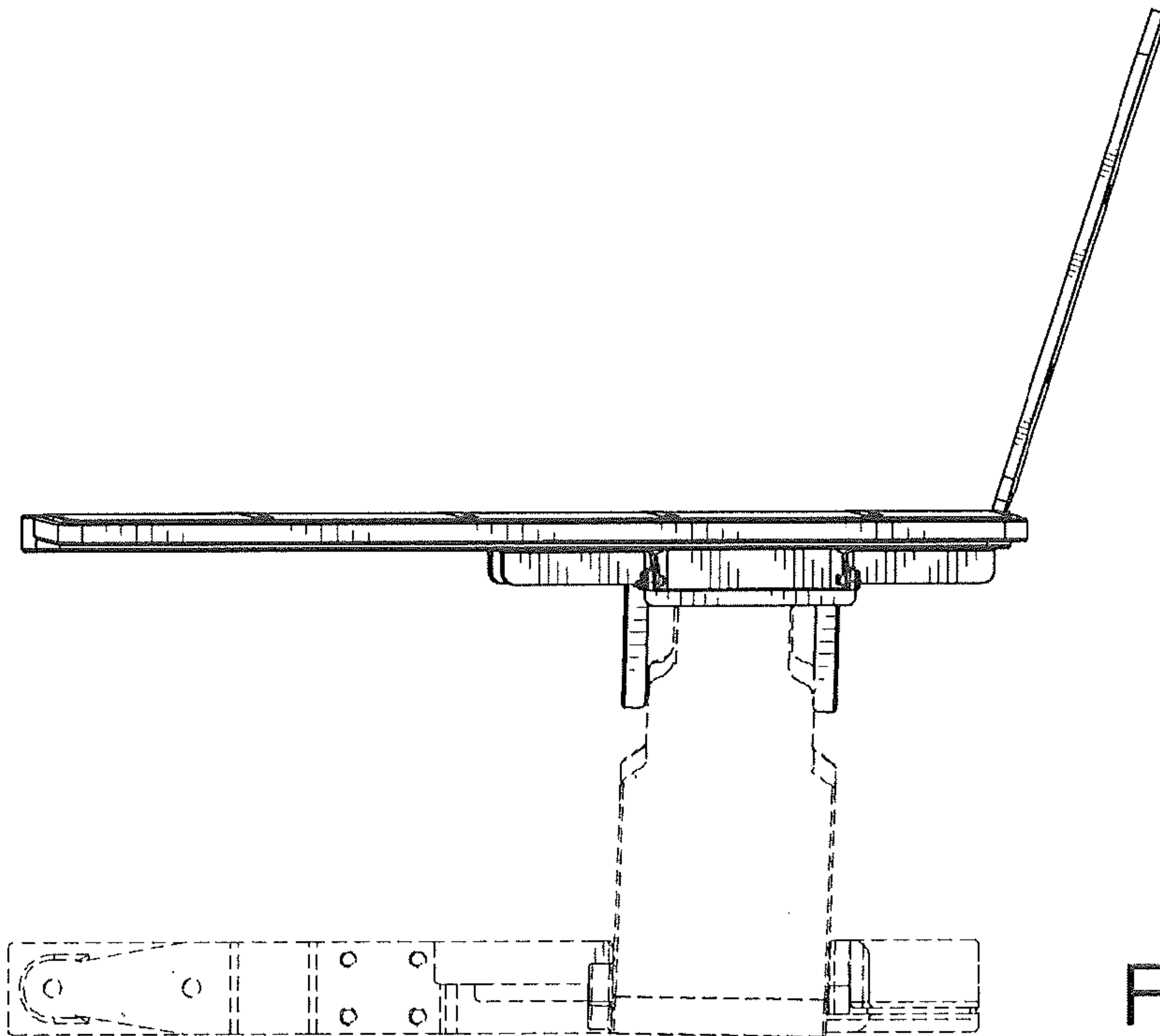


FIG. 8

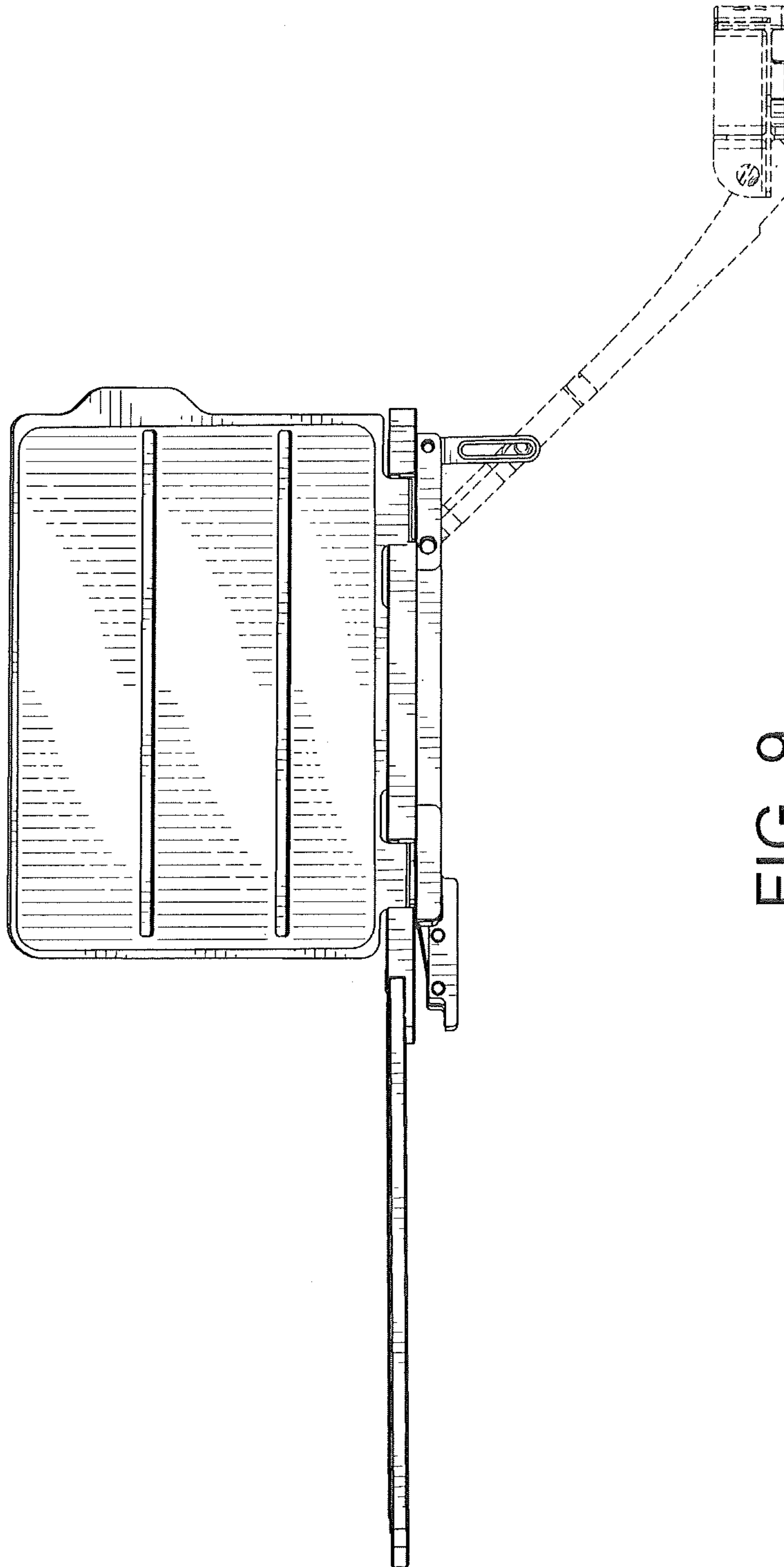


FIG. 9

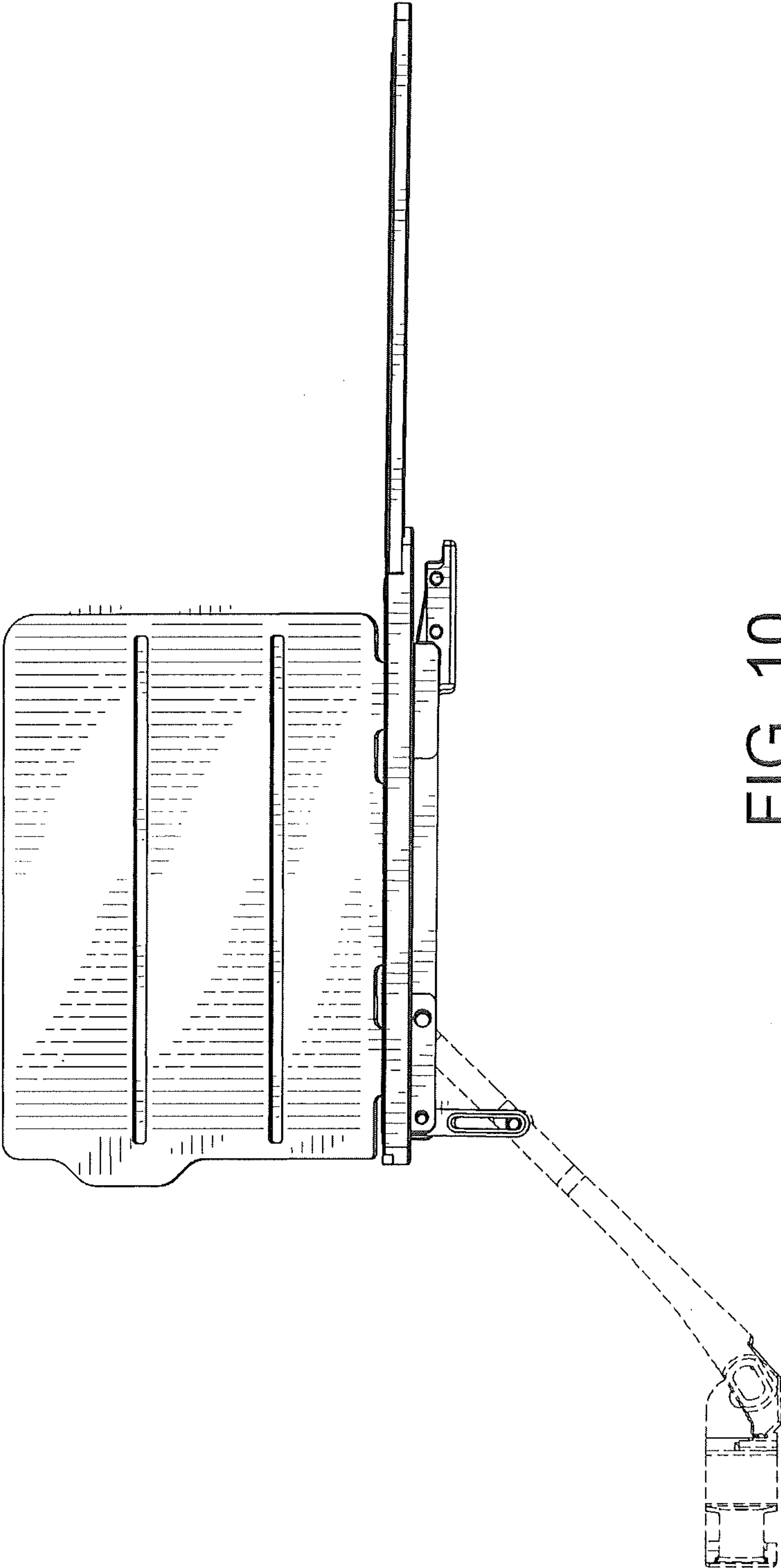


FIG. 10