

US00D766604S

(12) **United States Design Patent**
Edwards

(10) **Patent No.:** **US D766,604 S**

(45) **Date of Patent:** **** Sep. 20, 2016**

(54) **ADJUSTABLE TOILET FOOTREST**

(71) Applicant: **Robert W. Edwards**, St. George, UT
(US)

(72) Inventor: **Robert W. Edwards**, St. George, UT
(US)

(**) Term: **15 Years**

(21) Appl. No.: **29/558,902**

(22) Filed: **Mar. 23, 2016**

Related U.S. Application Data

(63) Continuation of application No. 14/712,911, filed on
May 15, 2015.

(51) **LOC (10) Cl.** **06-01**

(52) **U.S. Cl.**
USPC **D6/353**

(58) **Field of Classification Search**

USPC D6/336, 338, 341, 349, 350, 352, 353,
D6/675, 675.3, 681, 691, 691.1, 691.4,
D6/692, 692.3, 694, 694.2, 708, 708.17,
D6/708.21, 707.2, 716, 716.1; D25/63, 65,
D25/68; D23/296, 309

CPC A47C 9/00; A47C 9/02; A47C 9/002;
A47C 9/007; A47C 9/025; A47C 9/10;
A47C 11/00; A47C 12/00; A47C 13/00;
A47C 5/02; A47C 5/04; A47C 5/043; A47C
7/00-7/006; A47C 7/02; A47C 16/02-16/04;
A47B 3/00; A47B 3/02; A47B 3/04; A47B
3/12

See application file for complete search history.

(56) **References Cited**

U.S. PATENT DOCUMENTS

2,023,901 A * 12/1935 Rhodes A47K 17/028
4/254
D148,632 S * 2/1948 Martin 297/423.41
D268,796 S * 5/1983 Kola D6/349

D297,789 S * 9/1988 Stepien D6/349
D309,680 S * 8/1990 Gusty D6/349
D365,693 S * 1/1996 Jones D6/349

(Continued)

OTHER PUBLICATIONS

Tao Bamboo Adjustable. [online] Published Mar. 30, 2015.
Retrieved Jun. 22, 2016 from URL: <<http://www.squattypotty.com/shop/product/tao-bamboo-adjustable/>>.*

Primary Examiner — Vy Koenig

(74) *Attorney, Agent, or Firm* — Gurr & Brande, PLLC;
Robert A. Gurr

(57) **CLAIM**

The ornamental design for an adjustable toilet footrest, as
shown and described.

DESCRIPTION

FIG. 1 is a front perspective view of the adjustable toilet
footrest;

FIG. 2 is a front elevation view of the adjustable toilet
footrest;

FIG. 3 is a left side elevation view of the adjustable toilet
footrest;

FIG. 4 is a back elevation view of the adjustable toilet
footrest;

FIG. 5 is a top plan view of the adjustable toilet footrest;

FIG. 6 is a bottom plan view of the adjustable toilet footrest;

FIG. 7 is a front perspective view of the adjustable toilet
footrest in an alternate configuration;

FIG. 8 is a front elevation view thereof;

FIG. 9 is a left side elevation view thereof;

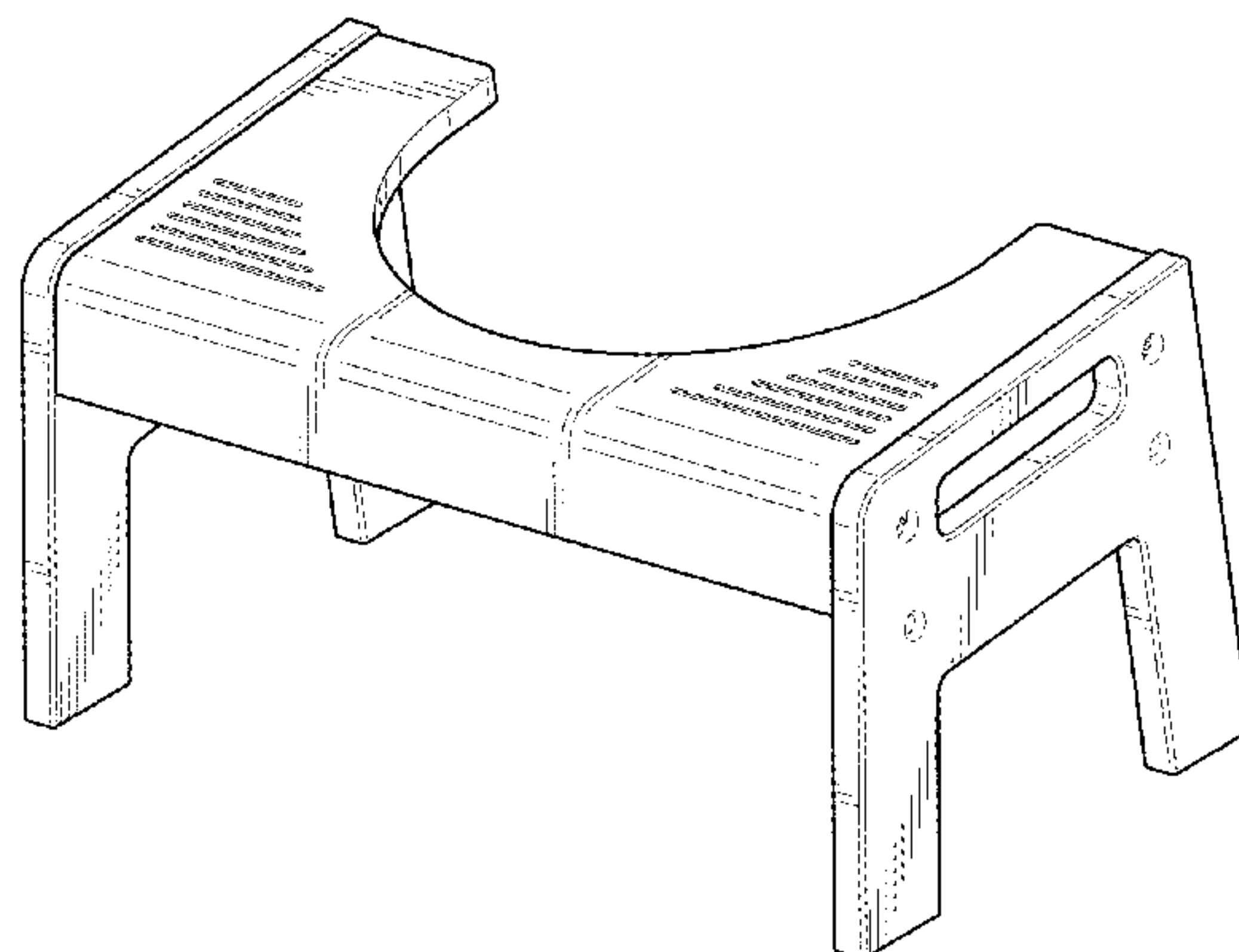
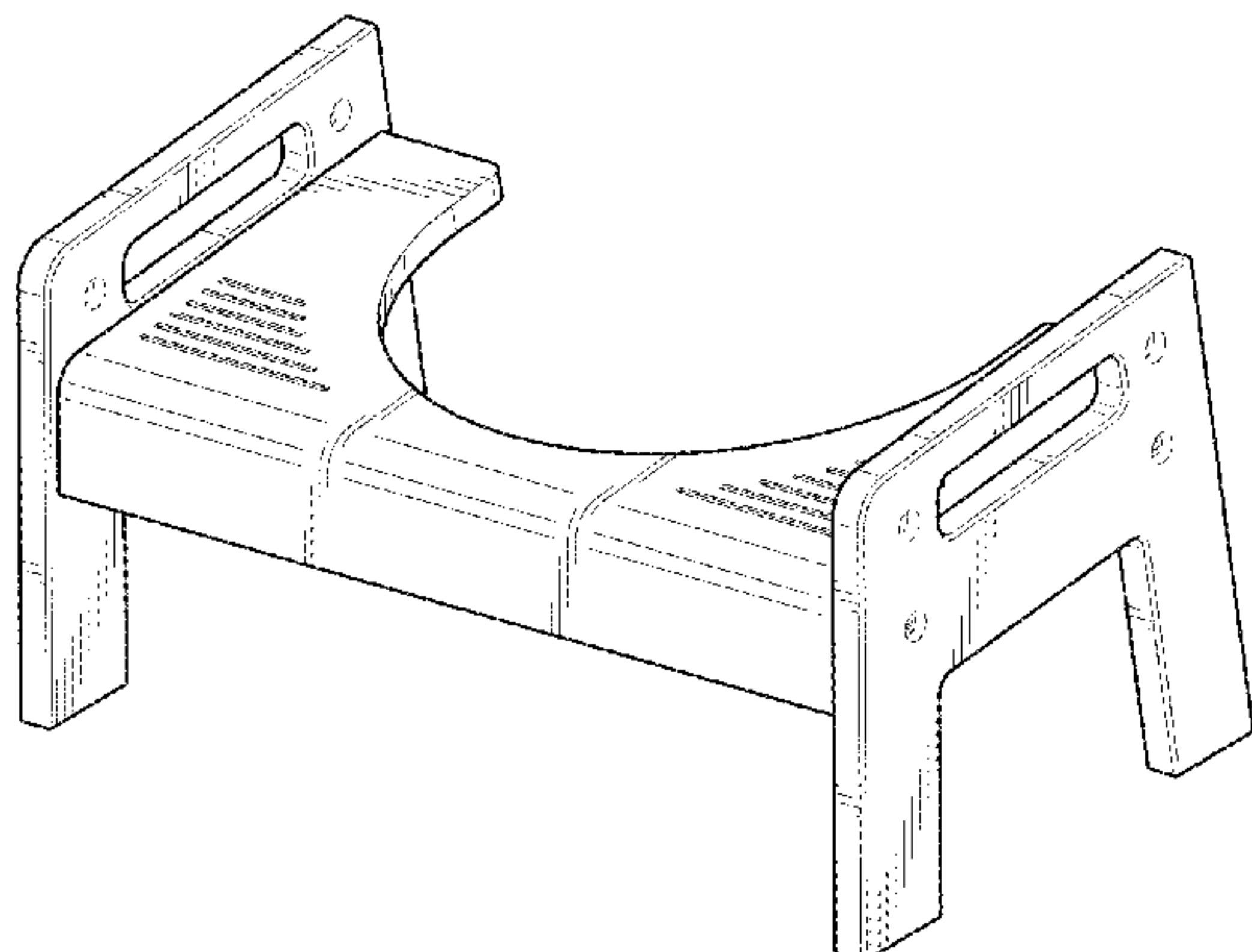
FIG. 10 is a back elevation view thereof;

FIG. 11 is a top plan view thereof; and,

FIG. 12 is a bottom plan view thereof.

The broken lines shown in the drawings are for the purpose
of illustrating portions of the article that form no part of the
claimed design.

1 Claim, 8 Drawing Sheets



US D766,604 S

Page 2

(56)

References Cited

U.S. PATENT DOCUMENTS

D376,923 S * 12/1996 Jones D6/349
D652,222 S * 1/2012 Edwards D6/349

D677,478 S * 3/2013 Edwards D6/349
D698,163 S * 1/2014 Edwards D6/349
D738,126 S * 9/2015 Edwards D6/349
D749,330 S * 2/2016 Jahns D6/349

* cited by examiner

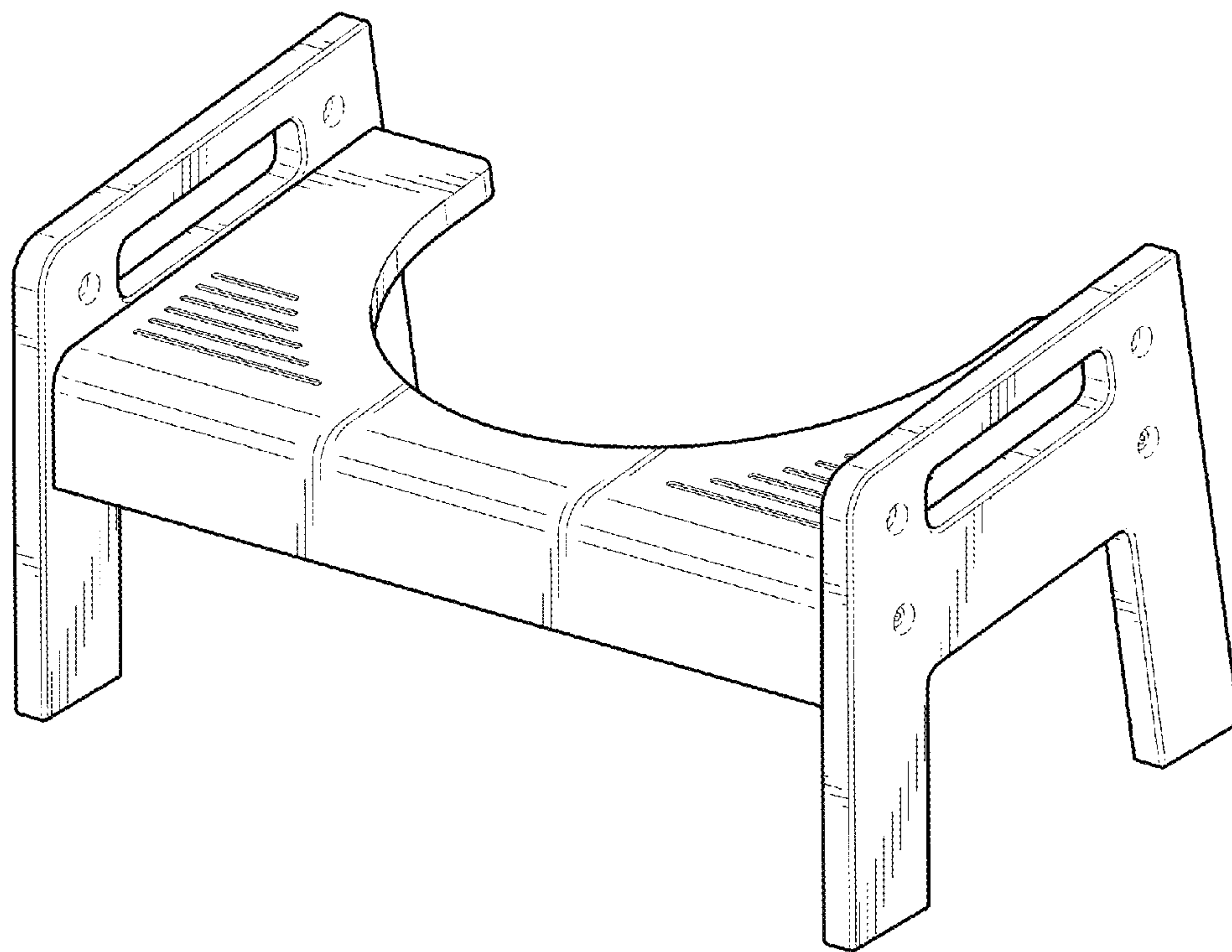


FIG. 1

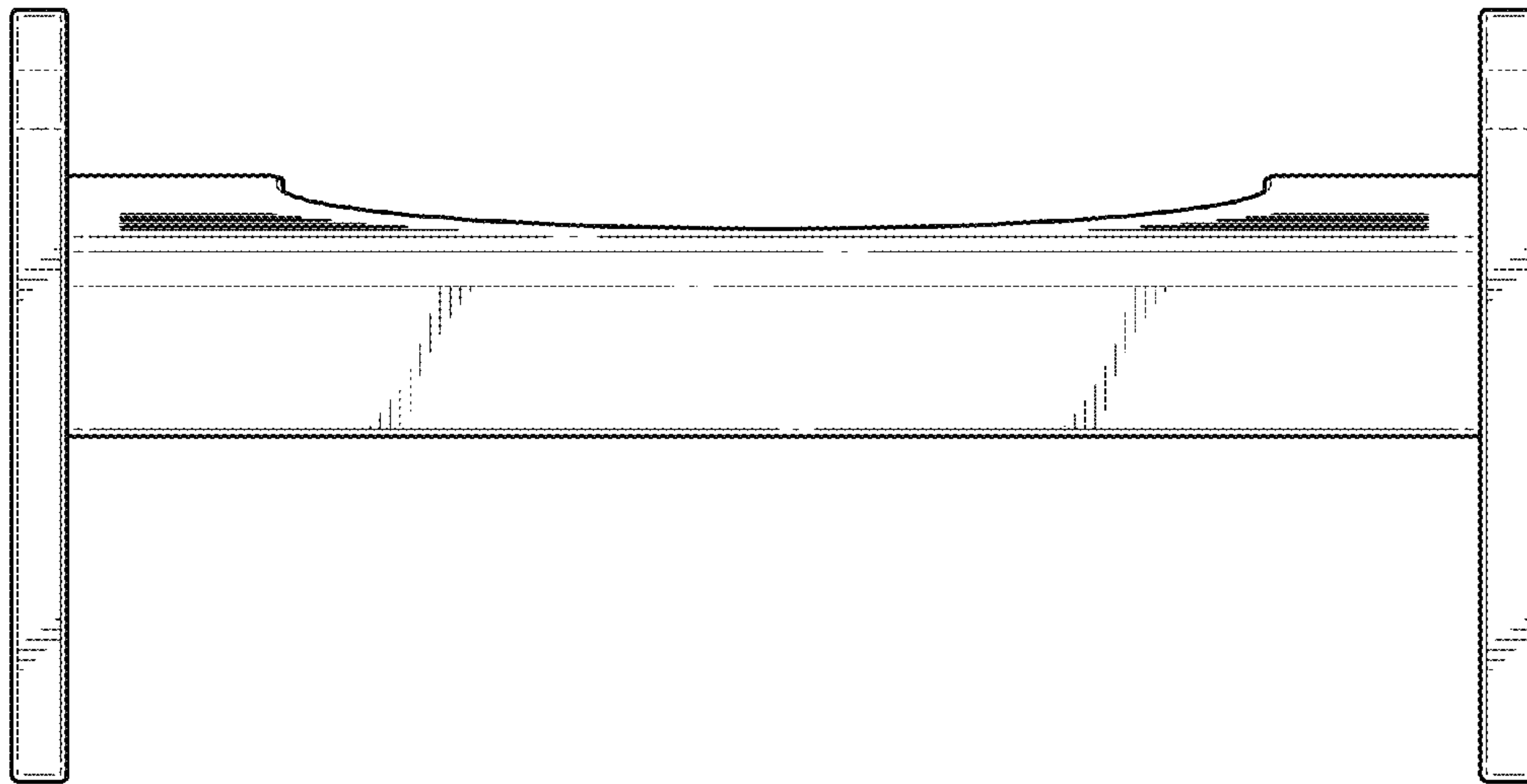


FIG. 2

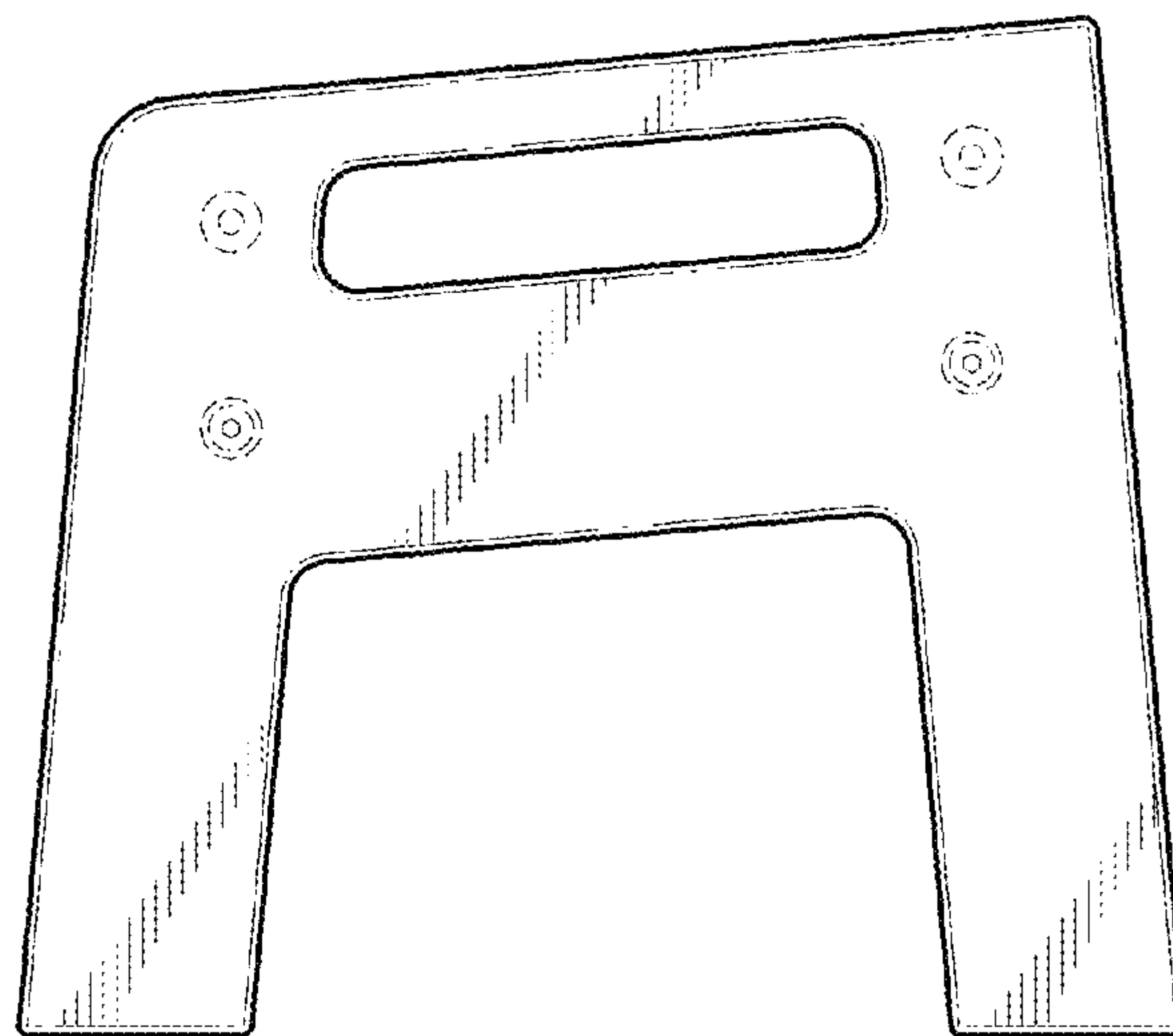


FIG. 3

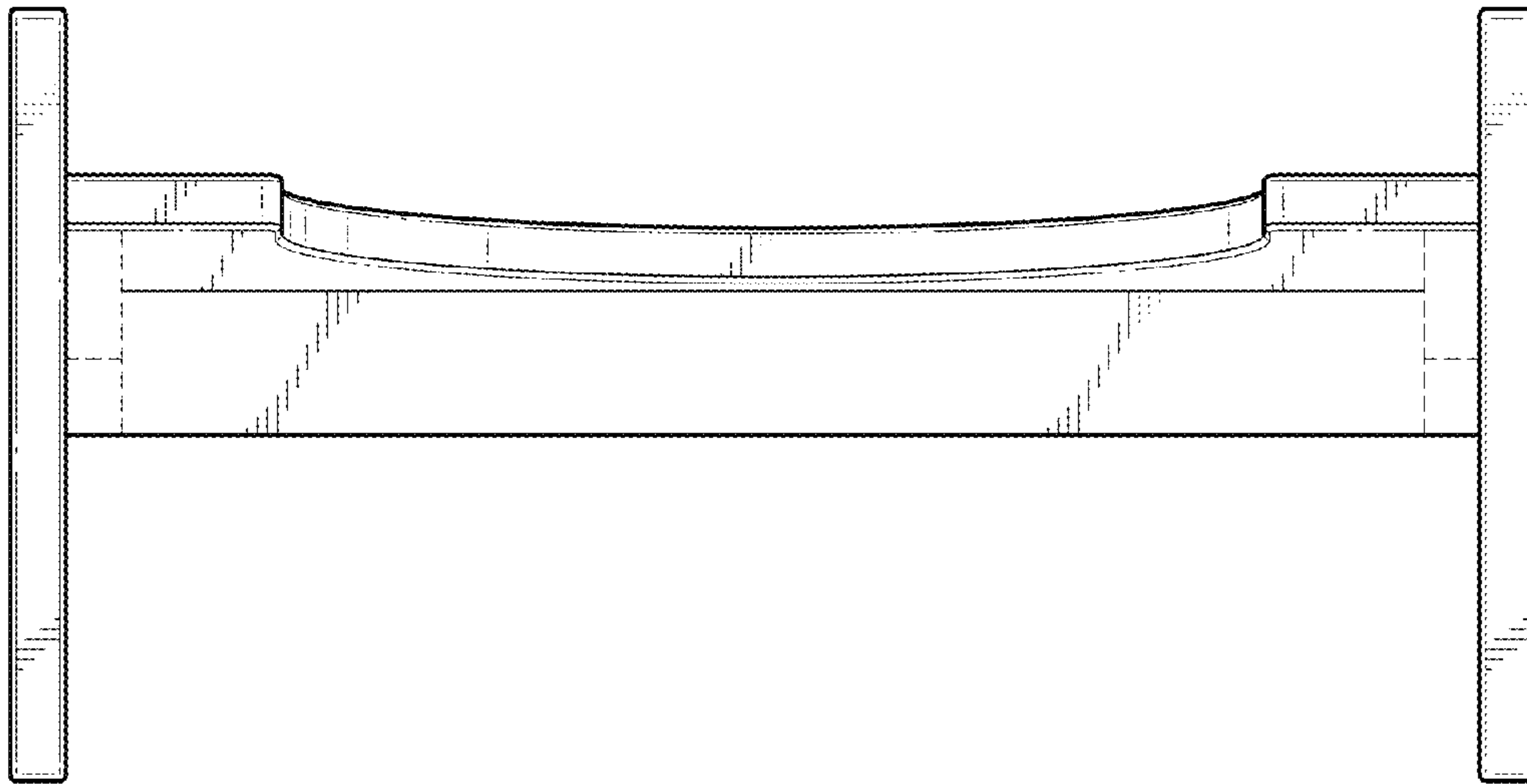


FIG. 4

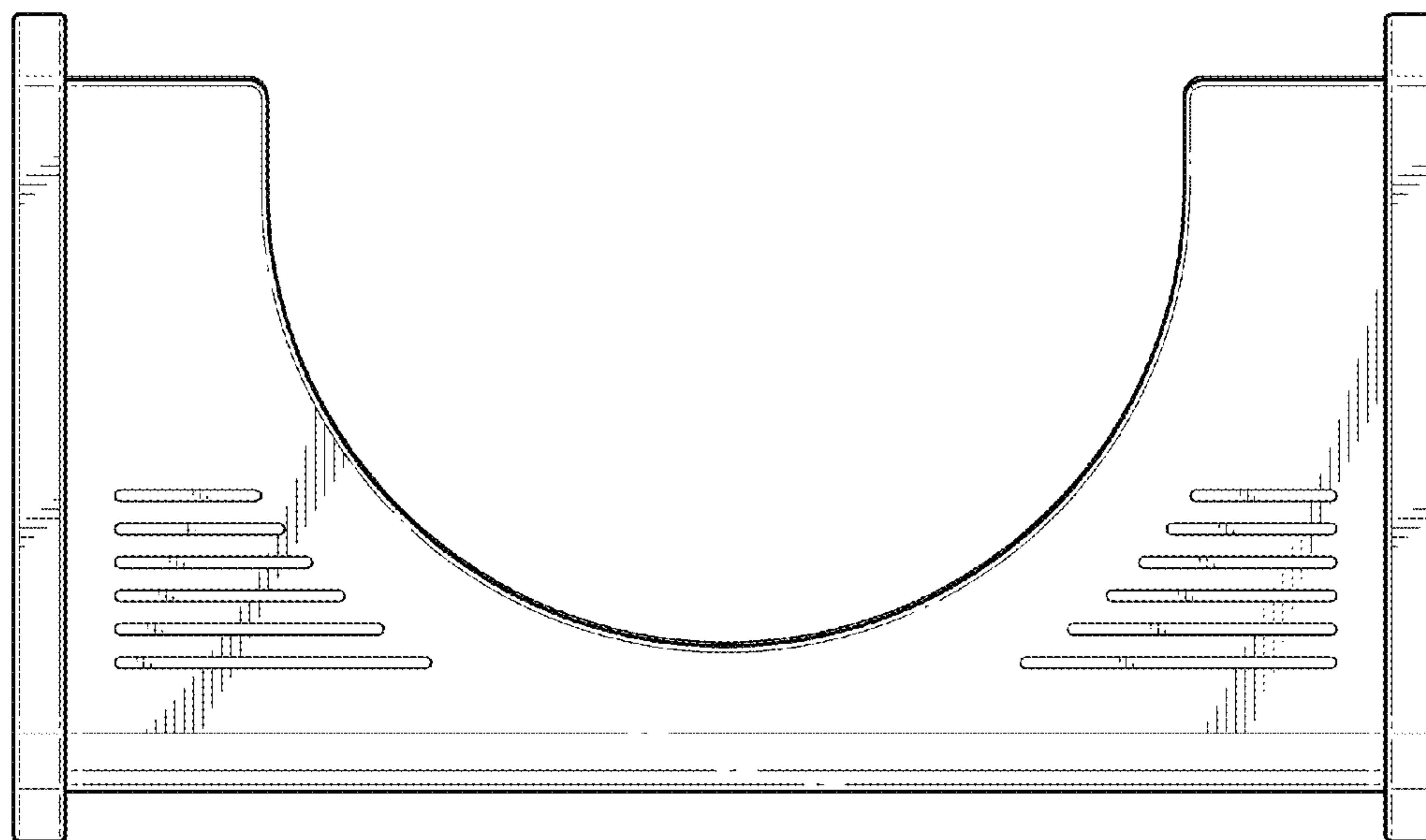


FIG. 5

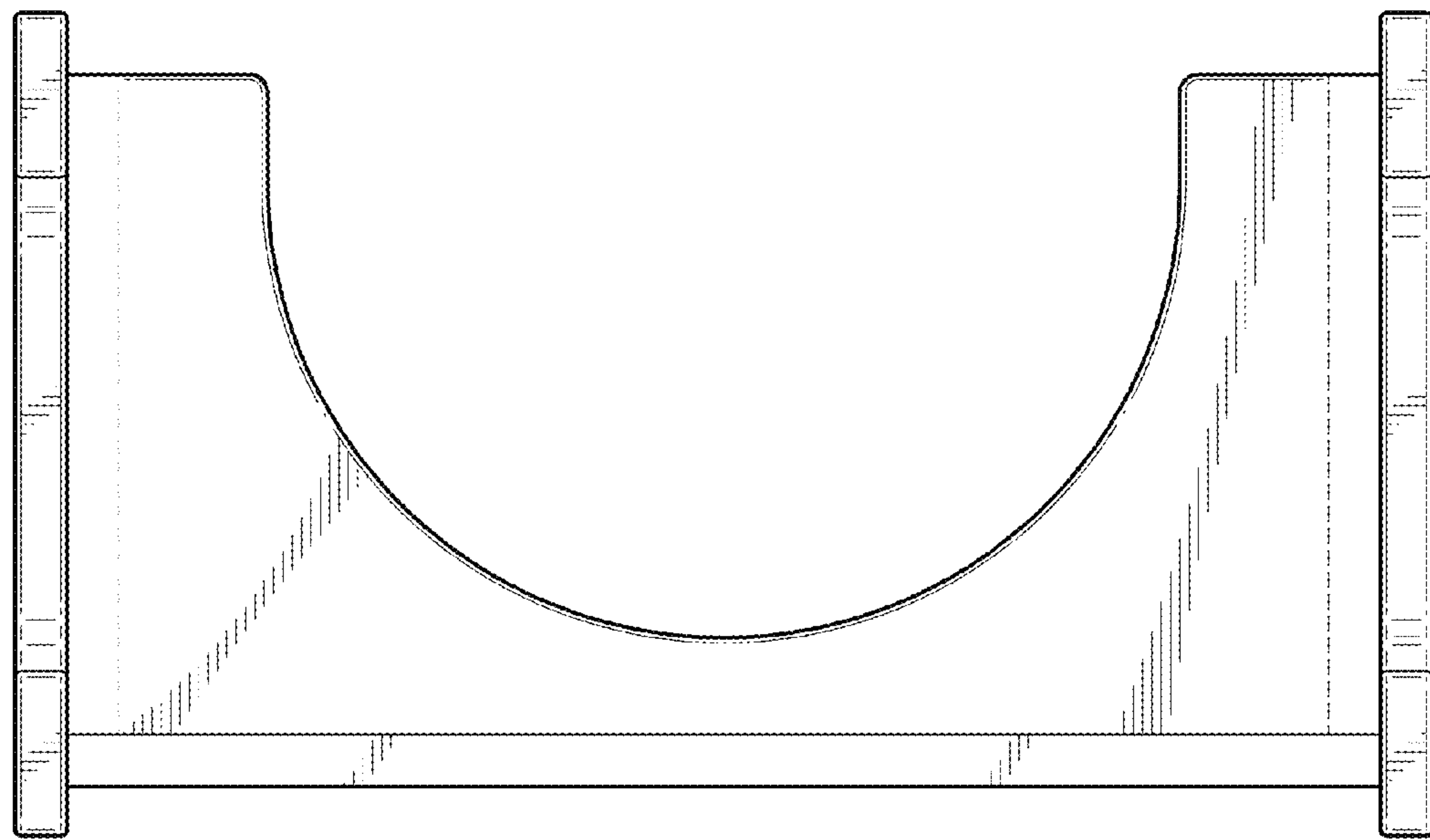


FIG. 6

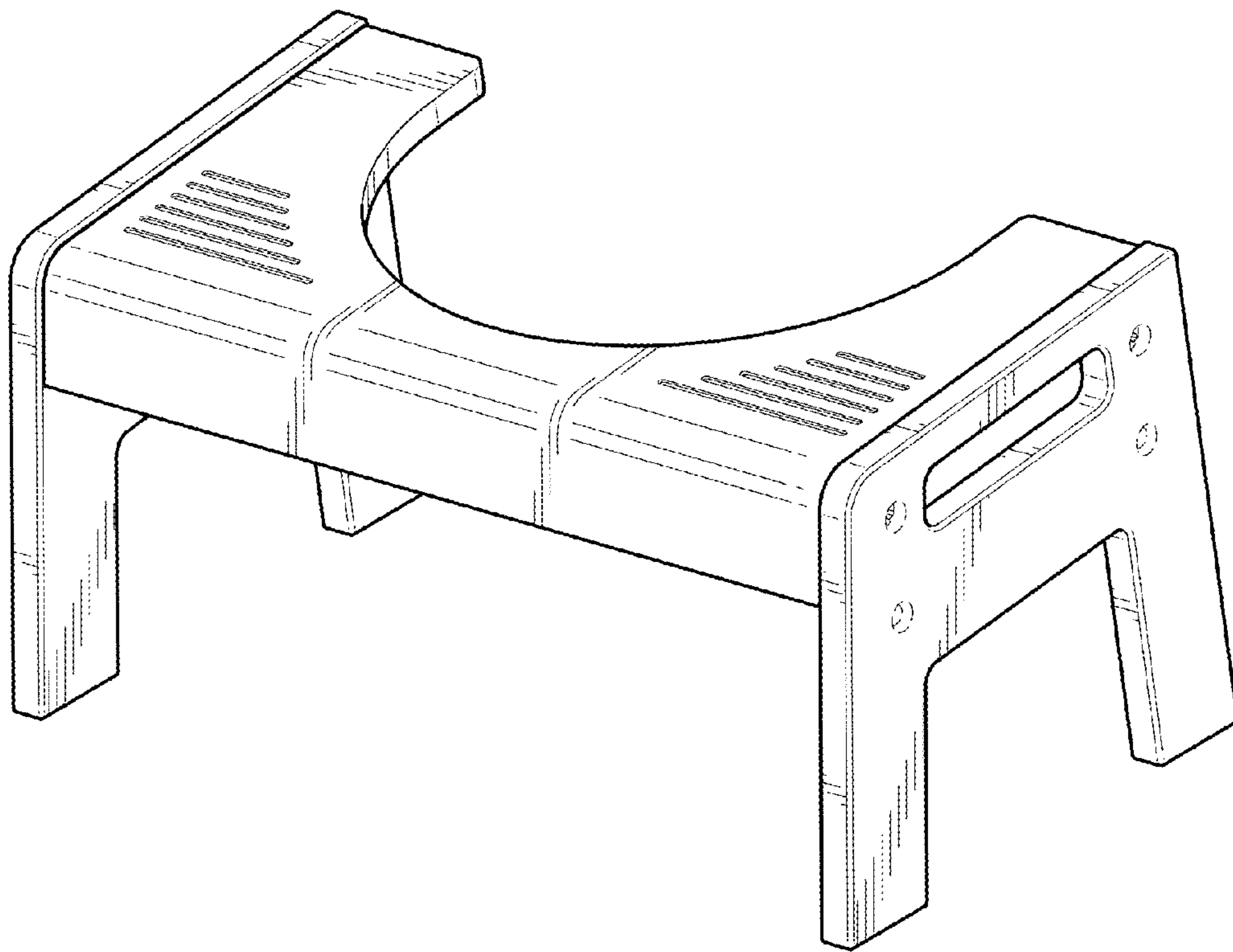


FIG. 7

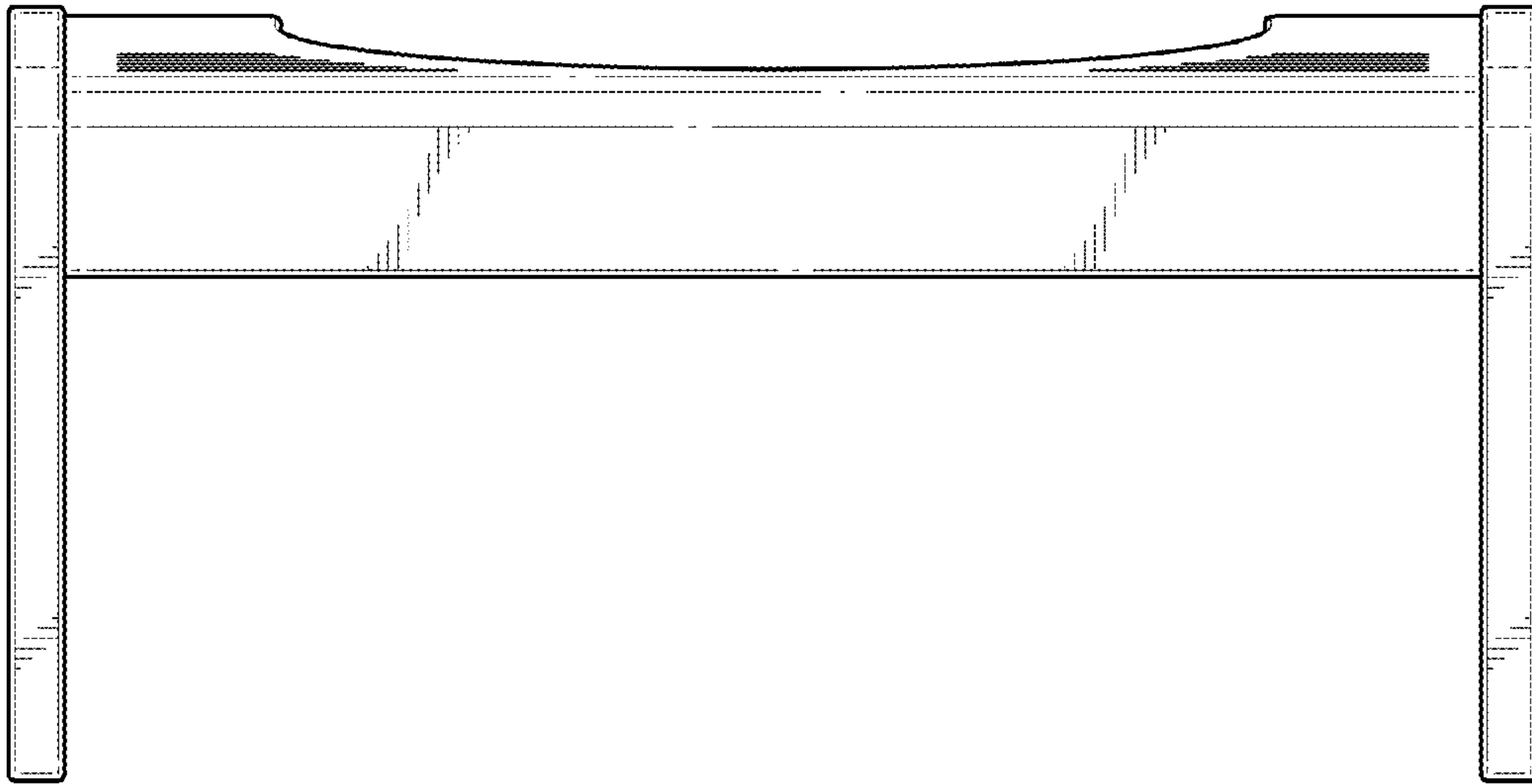


FIG. 8

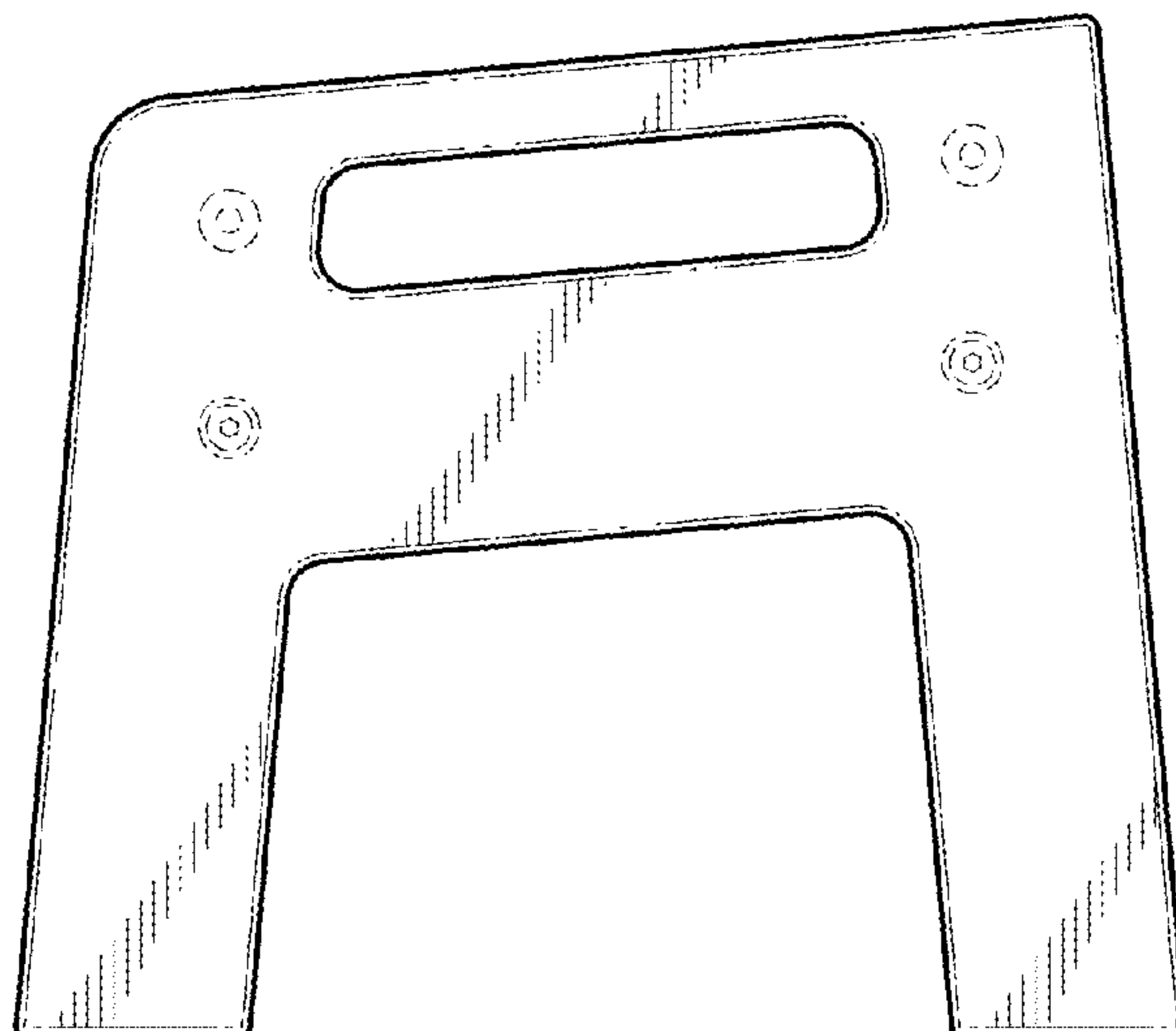


FIG. 9

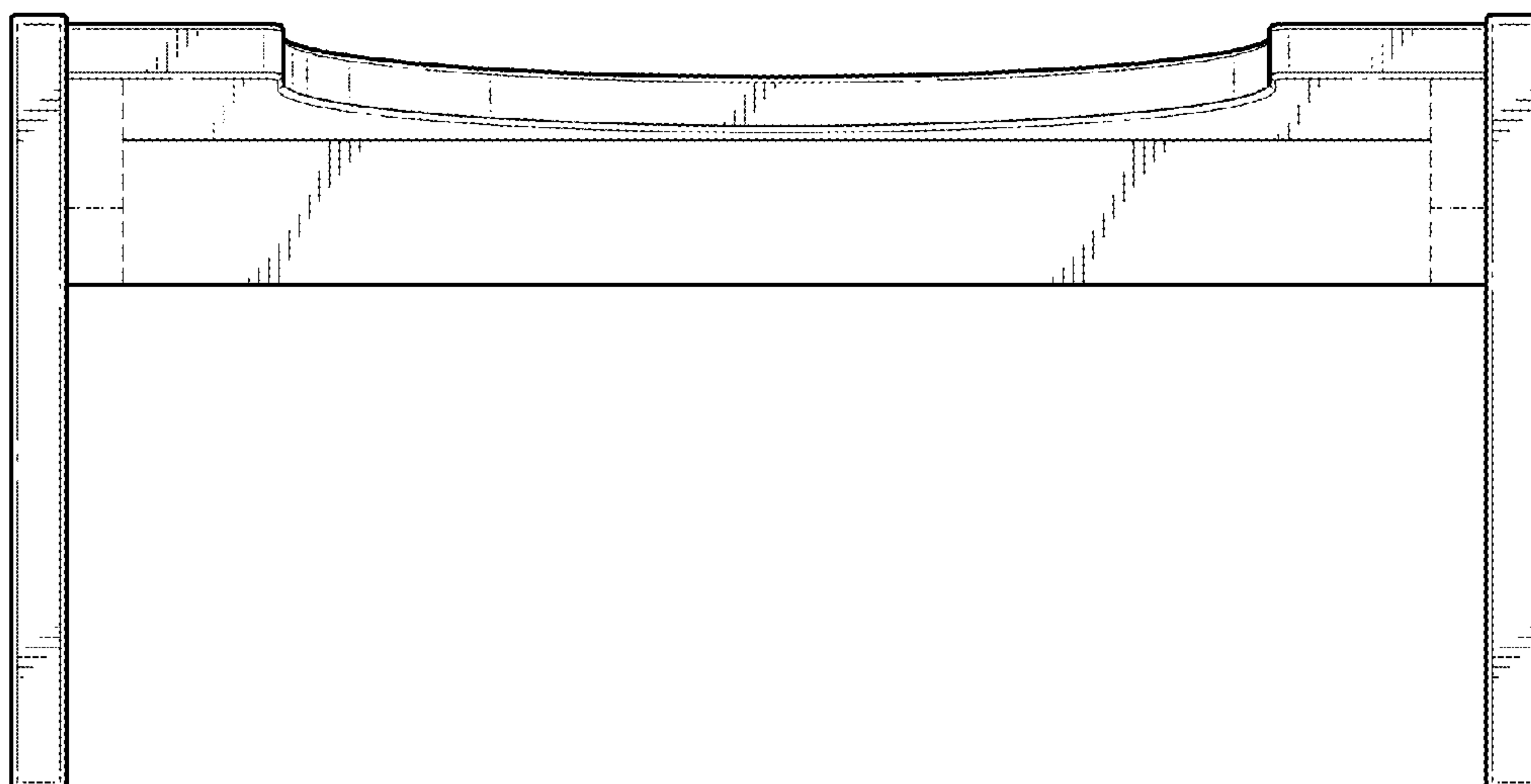


FIG. 10

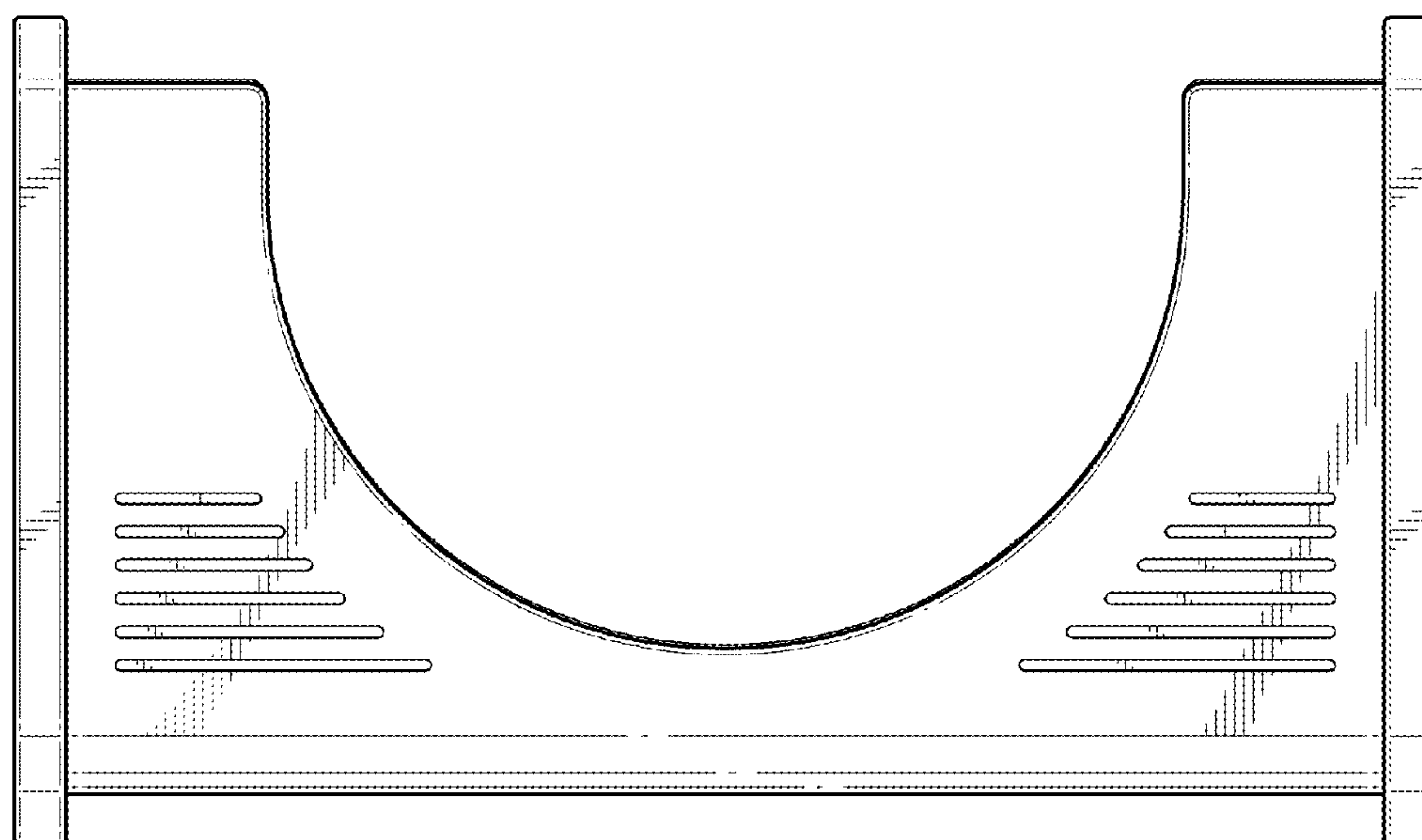


FIG. 11

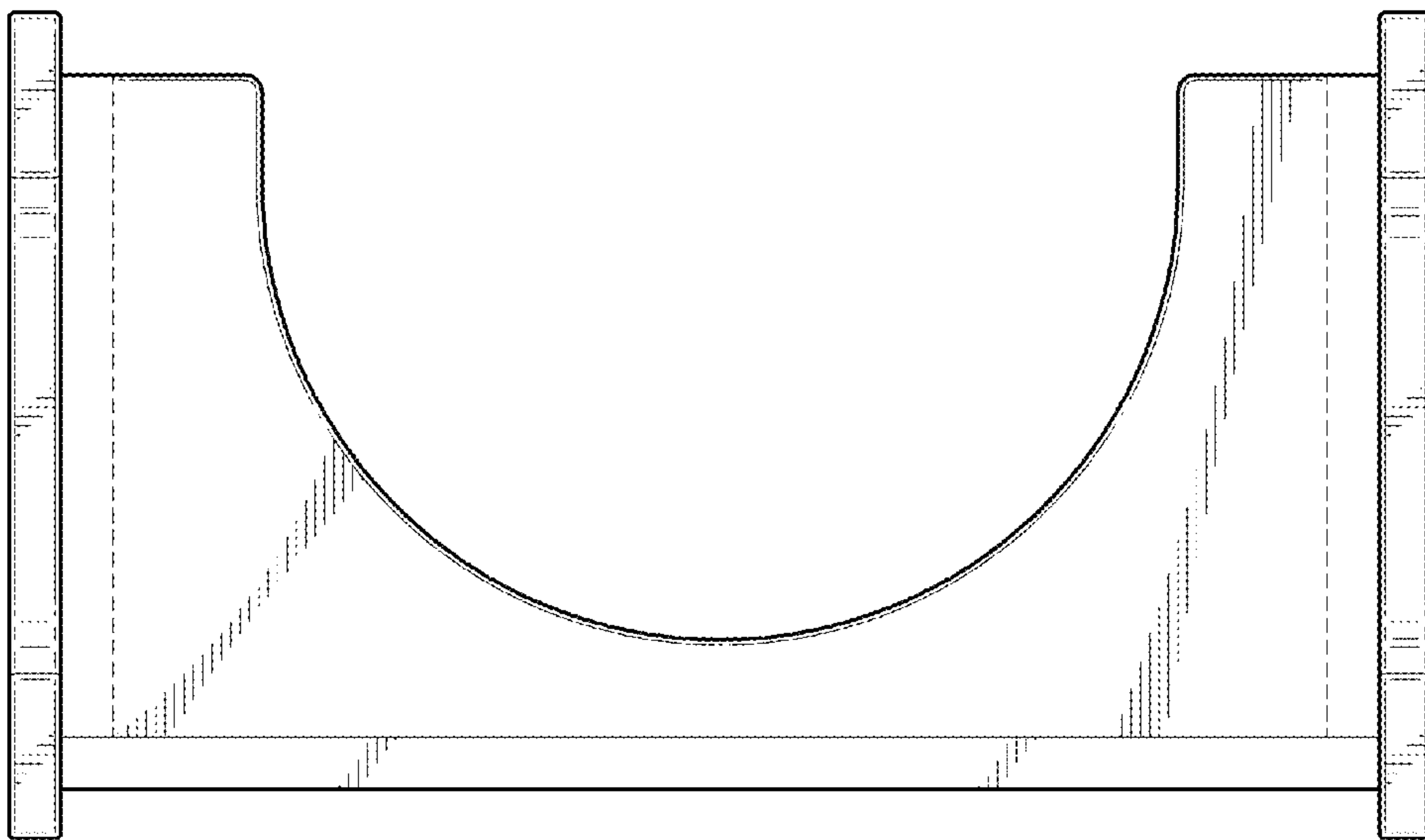


FIG. 12