

US00D766603S

(12) **United States Design Patent** (10) **Patent No.:** **US D766,603 S**  
**Alder et al.** (45) **Date of Patent:** **\*\* Sep. 20, 2016**

(54) **DUAL STORAGE COMPARTMENT DEVICE**

*Primary Examiner* — Sandra Snapp

(71) Applicant: **Pride Mobility Products Corporation**,  
Exeter, PA (US)

(74) *Attorney, Agent, or Firm* — Morgan, Lewis & Bockius  
LLP

(72) Inventors: **Kip D. Alder**, Harding, PA (US);  
**Michael R. Vandever**, Olyphant, PA  
(US); **Sarah Ruth Elon**, Scranton, PA  
(US)

(57) **CLAIM**

The ornamental design for dual storage compartment device,  
as shown and described.

(73) Assignee: **PRIDE MOBILITY PRODUCTS  
CORPORATION**, Exeter, PA (US)

**DESCRIPTION**

(\*\*) Term: **15 Years**

(21) Appl. No.: **29/535,456**

(22) Filed: **Aug. 6, 2015**

(51) **LOC (10) Cl.** ..... **06-01**

(52) **U.S. Cl.**  
USPC ..... **D6/336**

(58) **Field of Classification Search**

USPC ..... D6/334, 335, 336, 338, 349, 355, 381,  
D6/716, 716.1, 356; 297/118, 119, 135,  
297/144, 232, 445.1, 448.1, 452.18, 156,  
297/175, 216.1; 5/12.1, 12.2; D3/304, 308,  
D3/309, 315

CPC ..... A47C 1/02; A47C 1/12; A47C 11/00;  
A47C 17/00; A47C 17/02; A47C 4/52;  
A47C 9/00

See application file for complete search history.

FIG. 1 is a front perspective view of a dual storage compartment device shown in a closed position;  
FIG. 2 is a front elevational view of the dual storage compartment device shown in FIG. 1;  
FIG. 3 is a rear elevational view of the dual storage compartment device shown in FIG. 1;  
FIG. 4 is a left-side elevational view of the dual storage compartment device shown in FIG. 1;  
FIG. 5 is a right-side elevational view dual storage compartment device of the shown in FIG. 1;  
FIG. 6 is a top plan view of the dual storage compartment device shown in FIG. 1;  
FIG. 7 is a bottom plan view of the dual storage compartment device in FIG. 1;  
FIG. 8 is a front perspective view of the dual storage compartment device shown in an open position;  
FIG. 9 is a front elevational view of the dual storage compartment device shown in FIG. 8;  
FIG. 10 is a rear elevational view of the dual storage compartment device shown in FIG. 8;  
FIG. 11 is a left-side elevational view of the dual storage compartment device shown in FIG. 8;  
FIG. 12 is a right-side elevational view of the dual storage compartment device shown in FIG. 8;  
FIG. 13 is a top plan view of the dual storage compartment device shown in FIG. 8; and,  
FIG. 14 is a bottom plan view of the dual storage compartment device shown in FIG. 8.  
The broken lines shown in the drawings represent portions of the dual storage compartment device that form no part of the claimed design.

(56) **References Cited**

**U.S. PATENT DOCUMENTS**

D167,595 S	8/1952	Simmons	
2,765,025 A	10/1956	Bakalic et al.	
D180,542 S	7/1957	Barrow	
2,989,115 A *	6/1961	Egles	B63B 11/04 114/363
D197,558 S *	2/1964	Sokolis	D6/336
D261,834 S *	11/1981	Stebbins	D6/336
D274,581 S	7/1984	Gallock	
4,624,502 A *	11/1986	Boole	A47C 7/62 297/188.11

(Continued)

**1 Claim, 10 Drawing Sheets**



(56)

References Cited

U.S. PATENT DOCUMENTS

D293,632 S \* 1/1988 Capocasa ..... D6/336  
 D297,287 S \* 8/1988 Lopez ..... D6/336  
 D298,186 S \* 10/1988 Brannon ..... D6/336  
 4,790,432 A \* 12/1988 Rees ..... A47C 7/62  
 206/315.11  
 4,887,379 A \* 12/1989 Harrison ..... B63B 29/04  
 297/188.12  
 4,999,943 A \* 3/1991 Crabtree ..... A01K 97/06  
 43/54.1  
 D316,785 S 5/1991 Beane  
 D330,639 S \* 11/1992 Munro ..... 297/17  
 D345,865 S 4/1994 Tintori  
 5,560,145 A \* 10/1996 Anderson ..... A01K 97/06  
 403/373  
 5,775,771 A \* 7/1998 La Cour ..... B60N 2/3084  
 297/188.04  
 D400,742 S 11/1998 Jackson  
 D410,128 S \* 5/1999 Dallas ..... D34/23  
 D411,688 S \* 6/1999 Horton ..... D6/336

6,010,187 A \* 1/2000 Dallas ..... A47C 7/62  
 108/94  
 D450,936 S 11/2001 Bernes  
 6,382,354 B2 \* 5/2002 Ahl ..... E06C 7/14  
 182/129  
 6,604,721 B2 \* 8/2003 Ahl ..... E06C 7/146  
 182/129  
 D487,656 S 3/2004 Sturhan et al.  
 6,733,073 B2 \* 5/2004 Whiteside ..... A47C 9/02  
 211/119.07  
 6,793,232 B1 9/2004 Wing  
 D509,082 S 9/2005 Petruccelli  
 D530,108 S \* 10/2006 Whiteside ..... D6/349  
 7,128,369 B2 \* 10/2006 Boggs ..... A47C 1/14  
 297/188.01  
 D605,405 S \* 12/2009 Bodum ..... D3/308  
 D607,624 S \* 1/2010 Bergman ..... D32/54  
 7,658,442 B1 \* 2/2010 Whiteside ..... A47C 7/62  
 297/188.01  
 7,901,000 B1 3/2011 Sorensen et al.  
 8,087,722 B2 \* 1/2012 Hung ..... A47C 7/54  
 297/188.01

\* cited by examiner

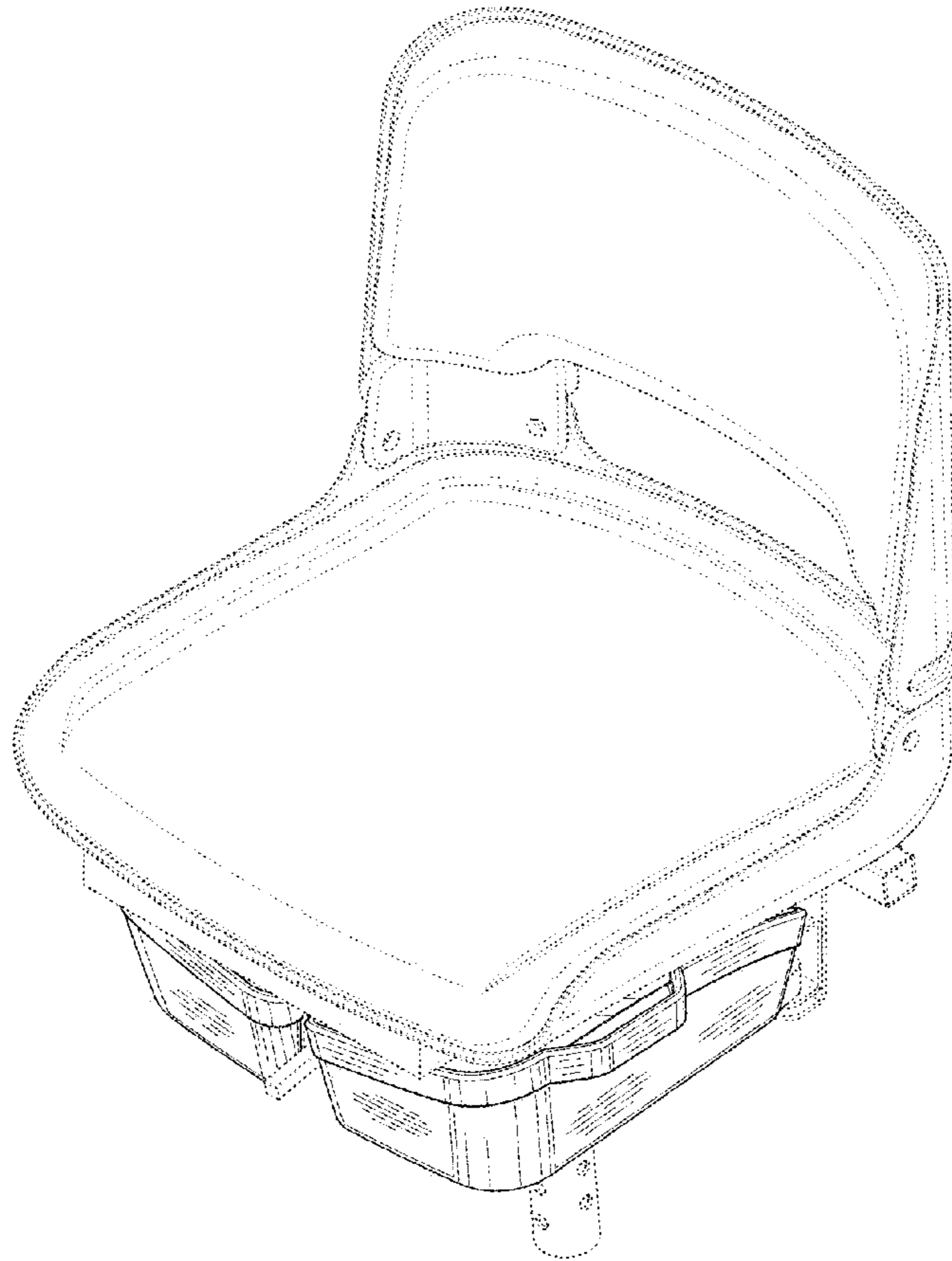


FIG. 1

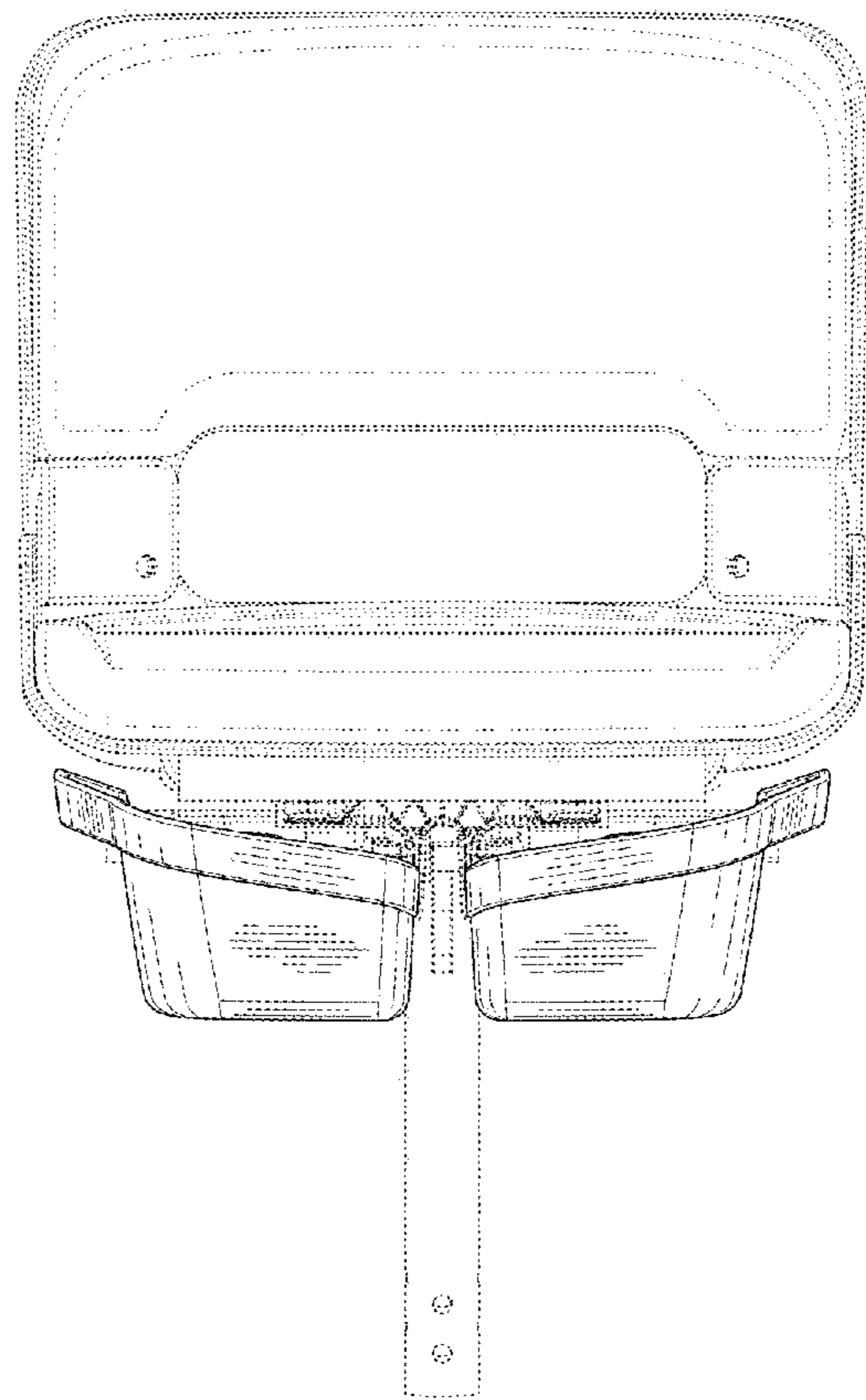


FIG. 2

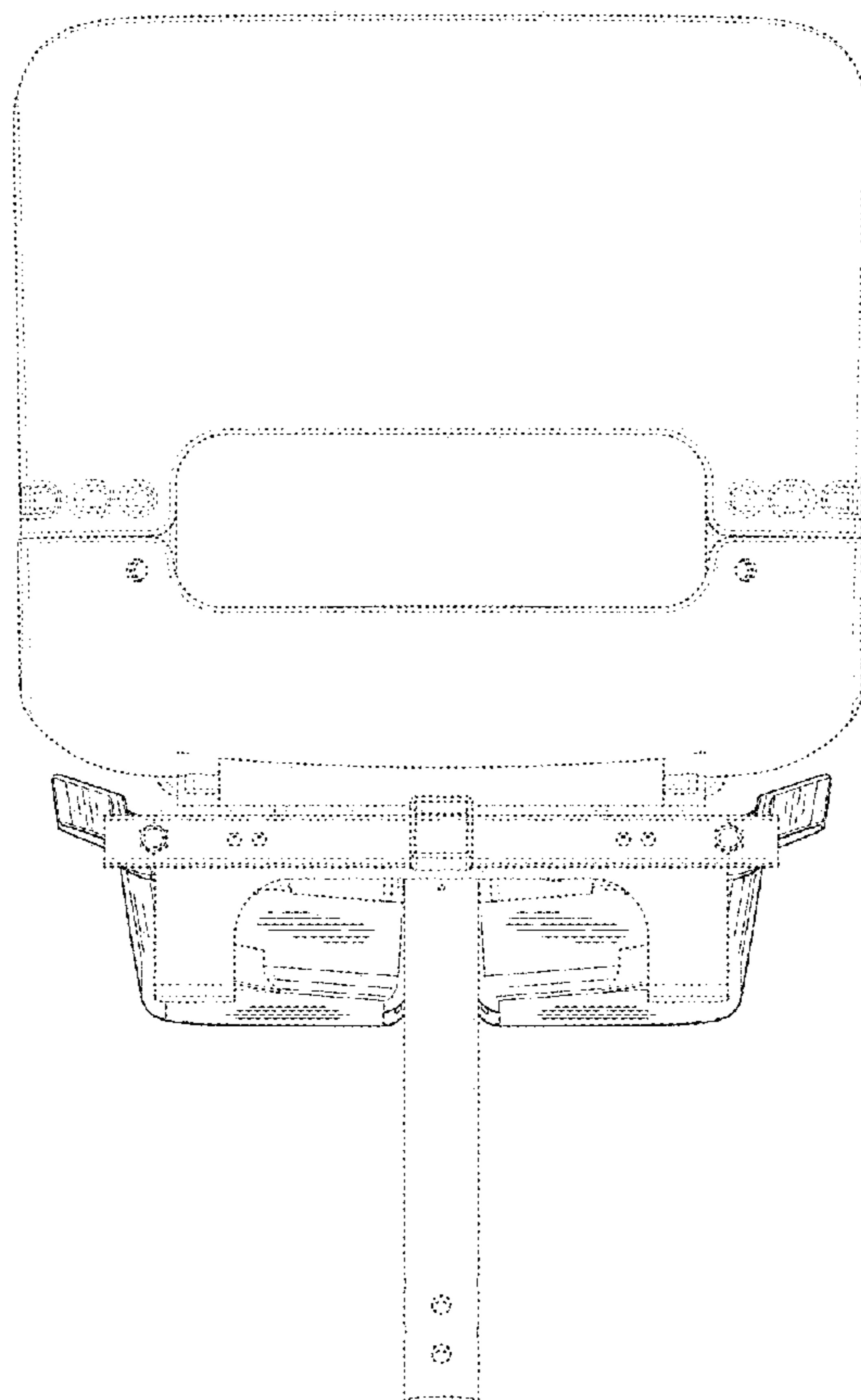


FIG. 3



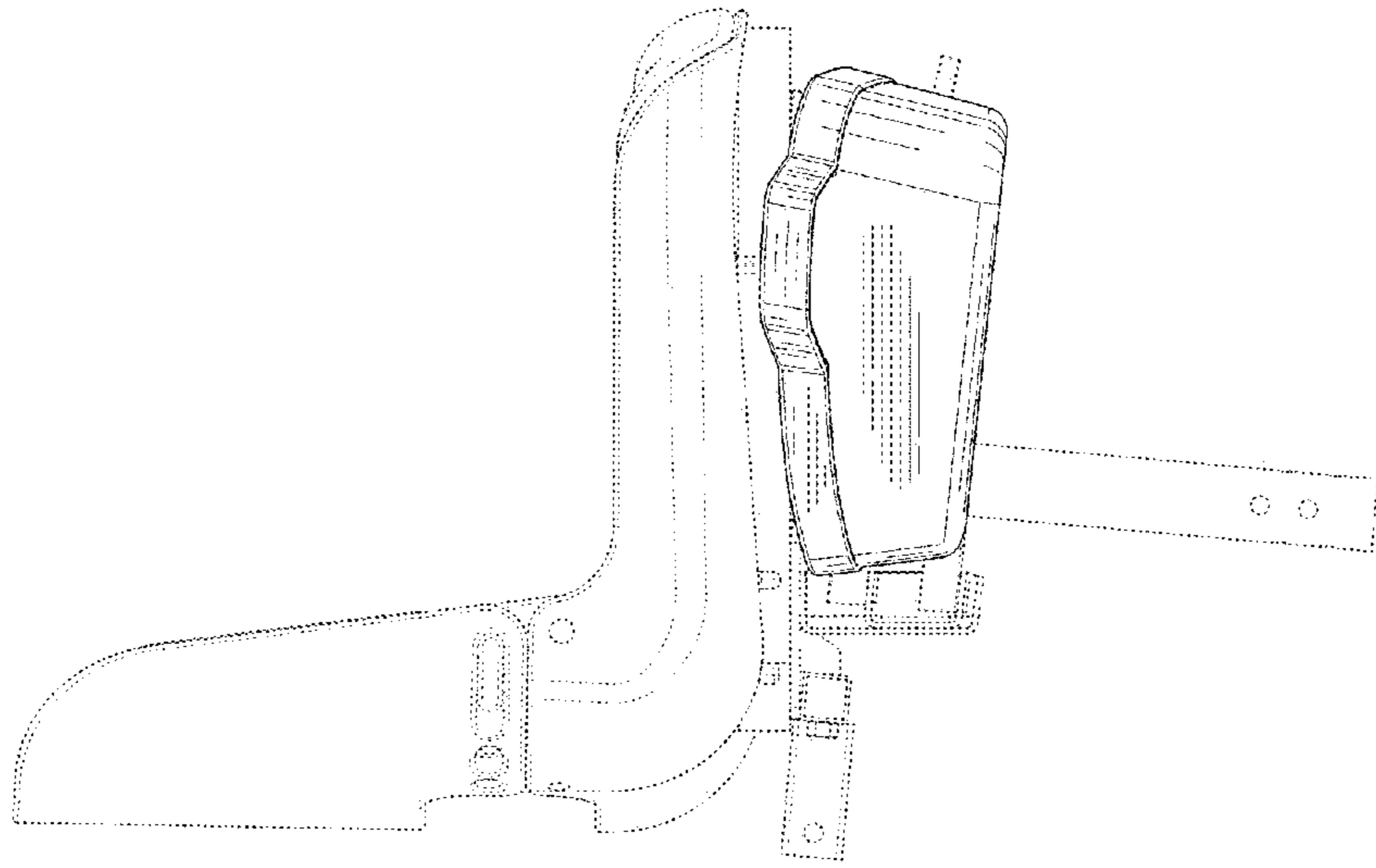


FIG. 5

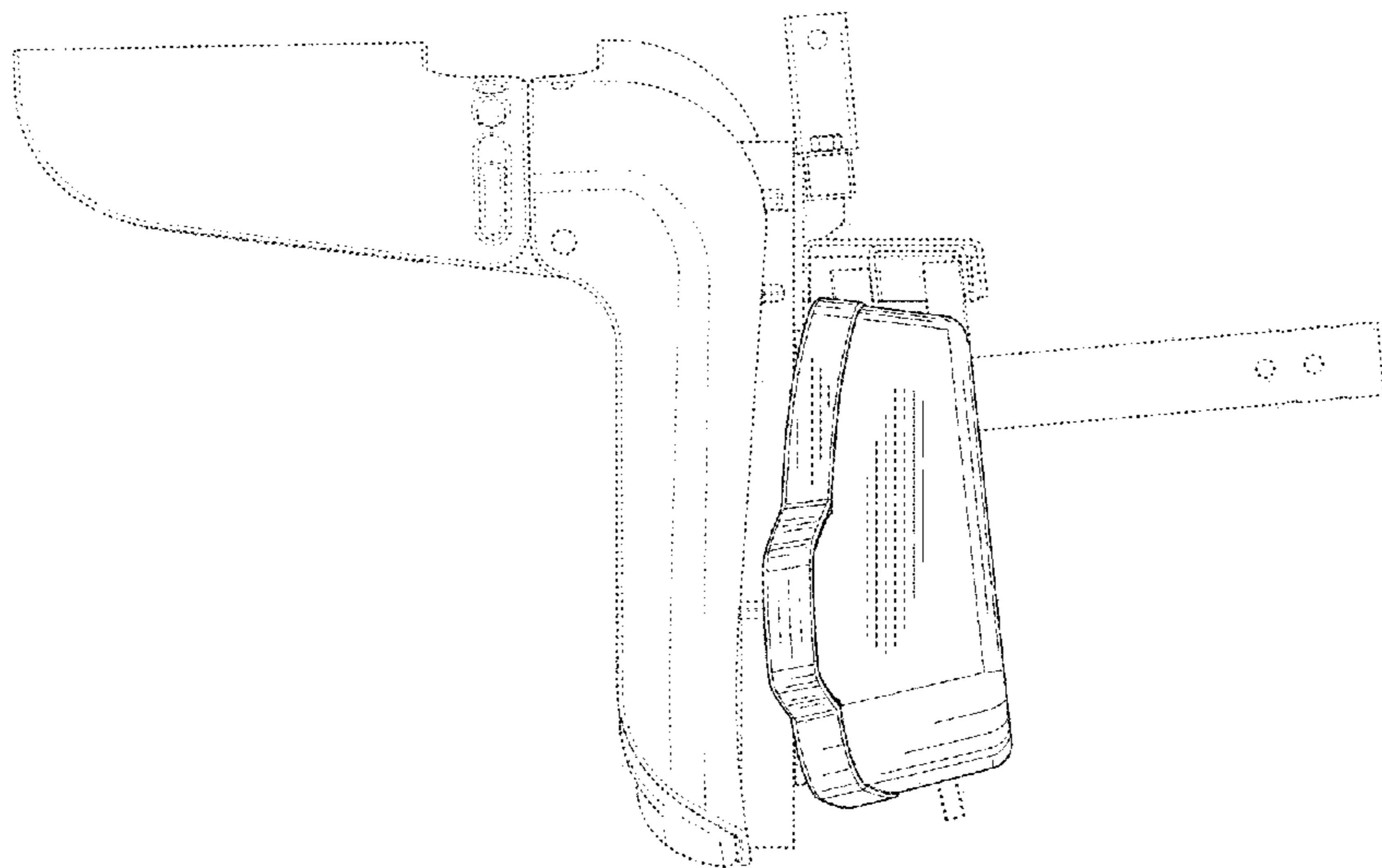


FIG. 4



FIG. 6

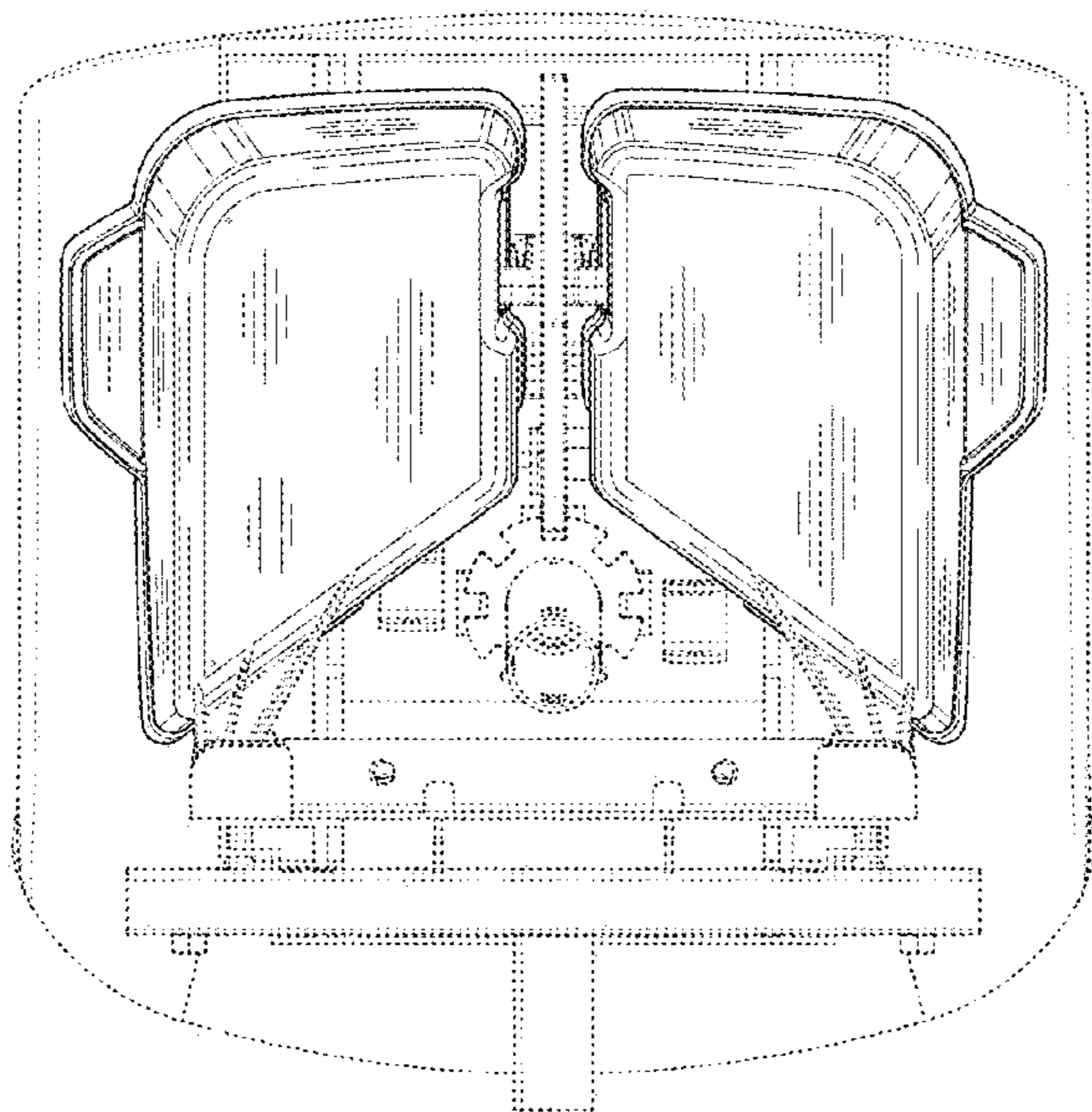


FIG. 7

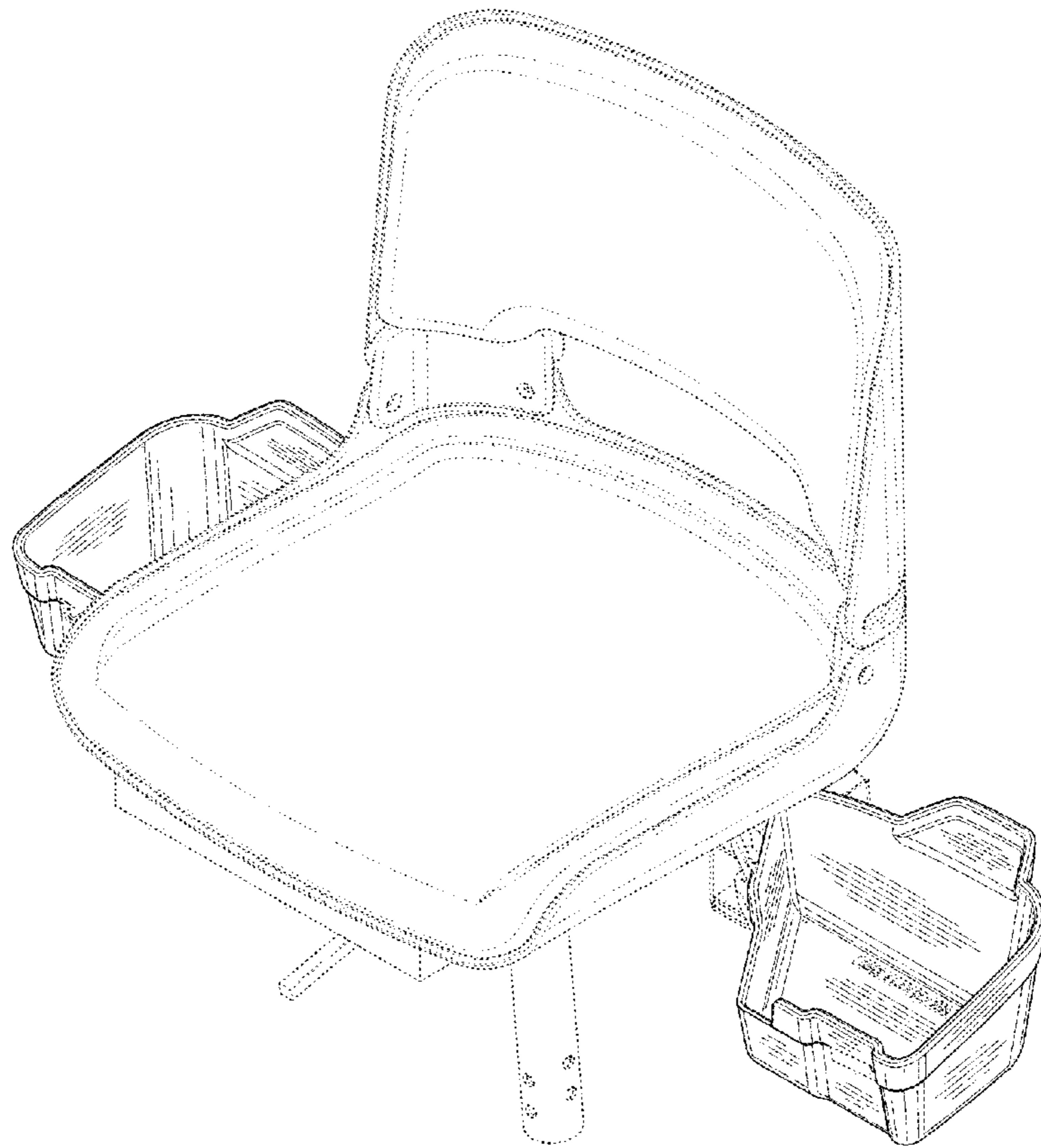


FIG. 8



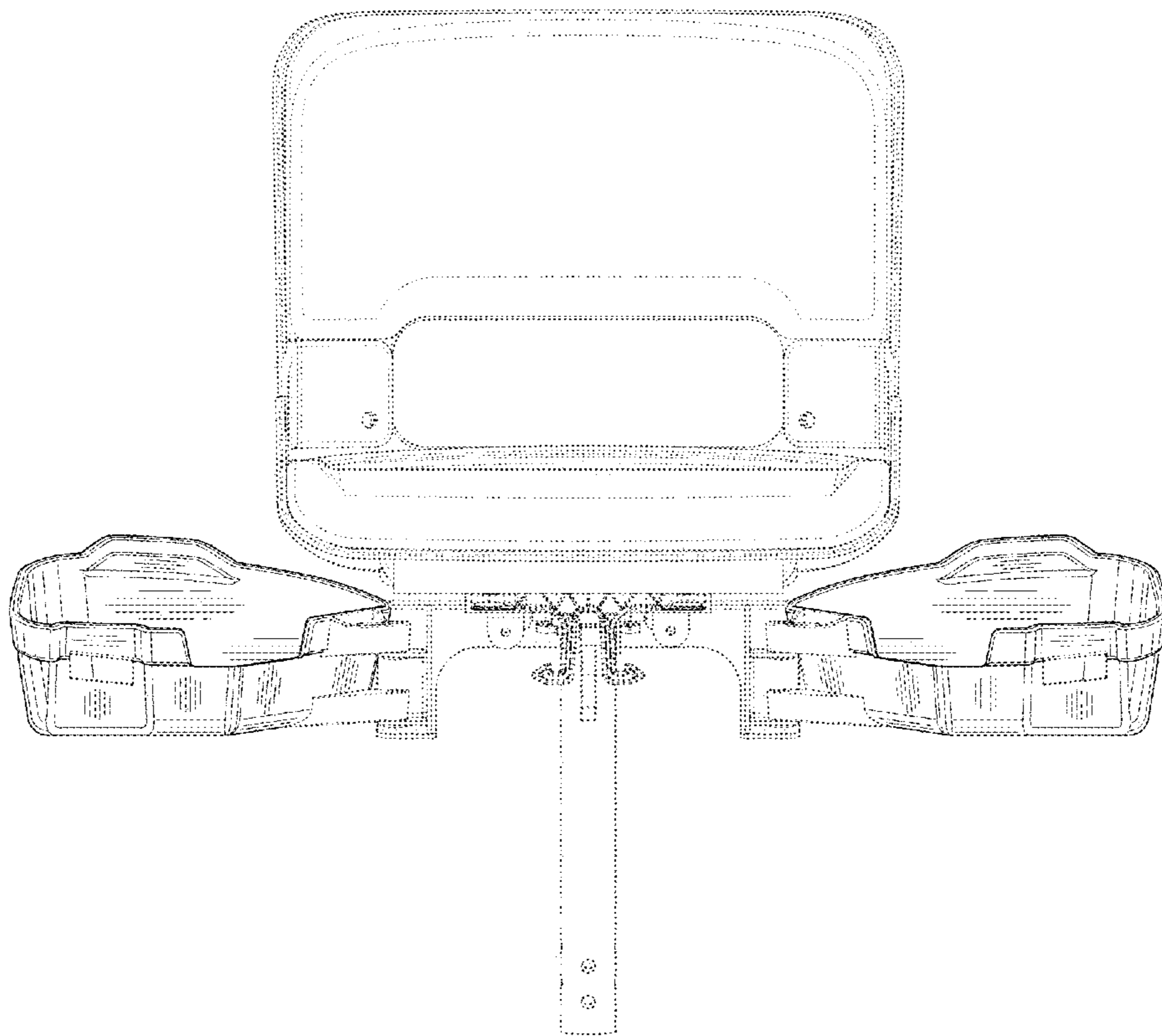


FIG. 9

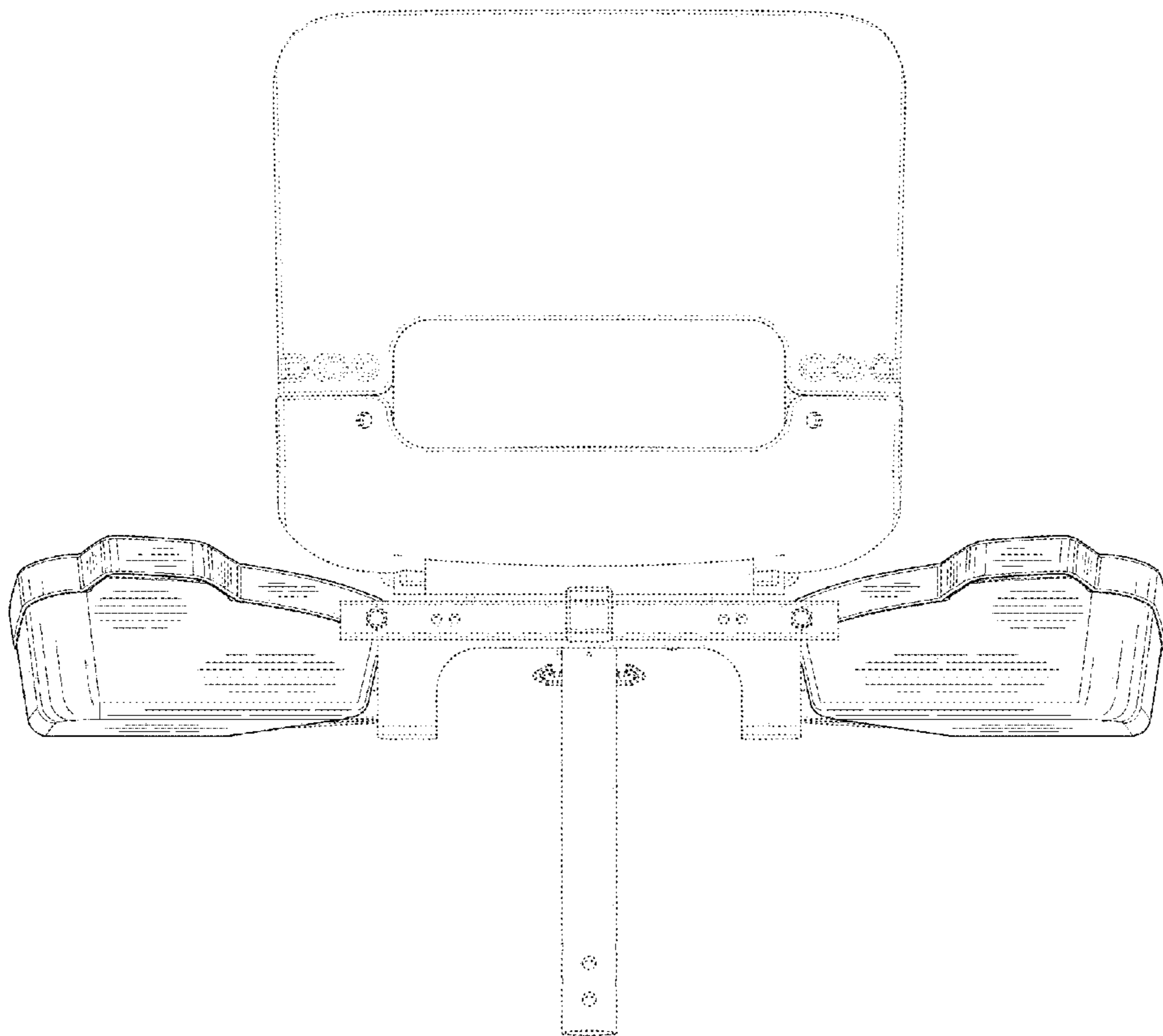


FIG. 10

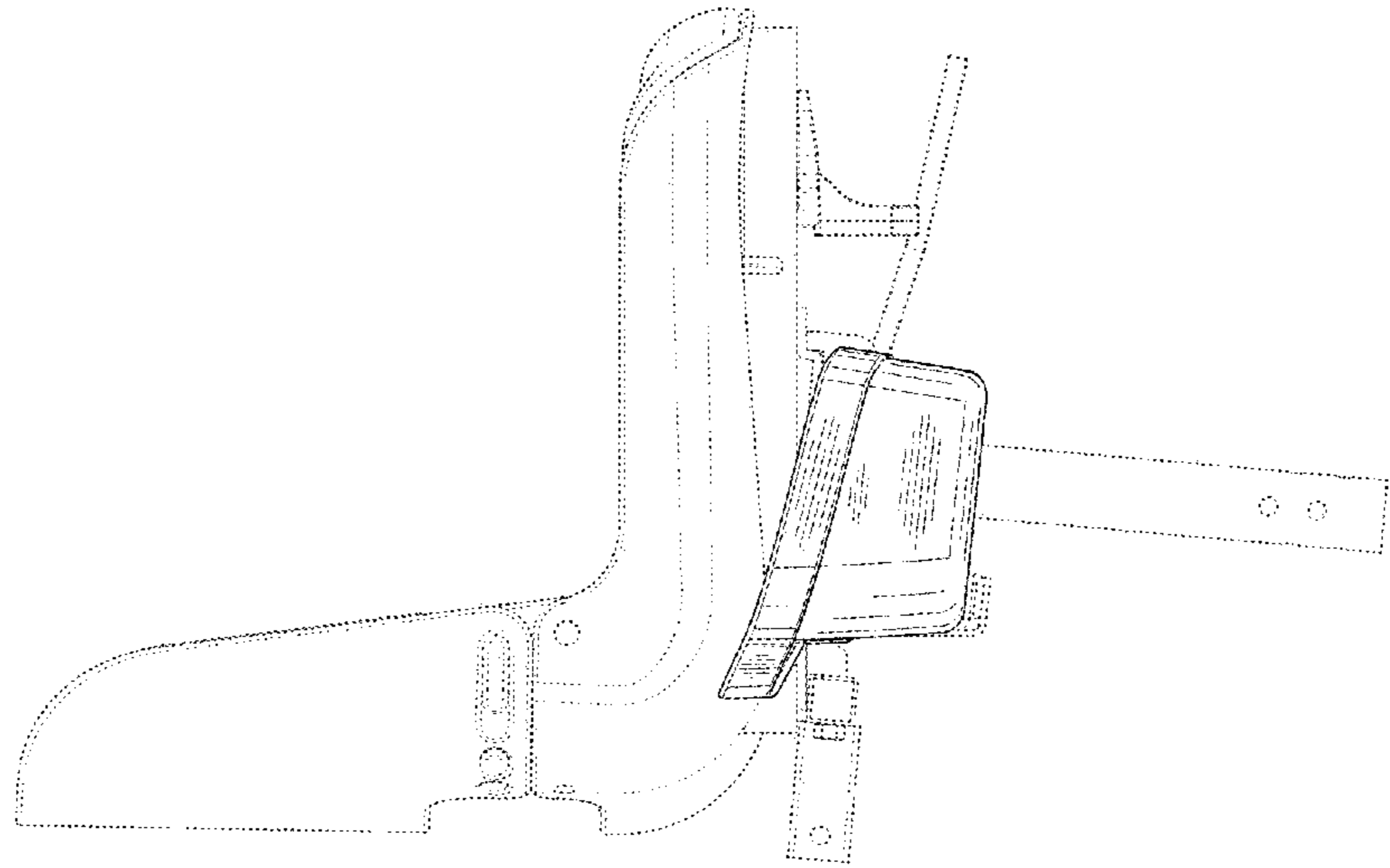


FIG. 12

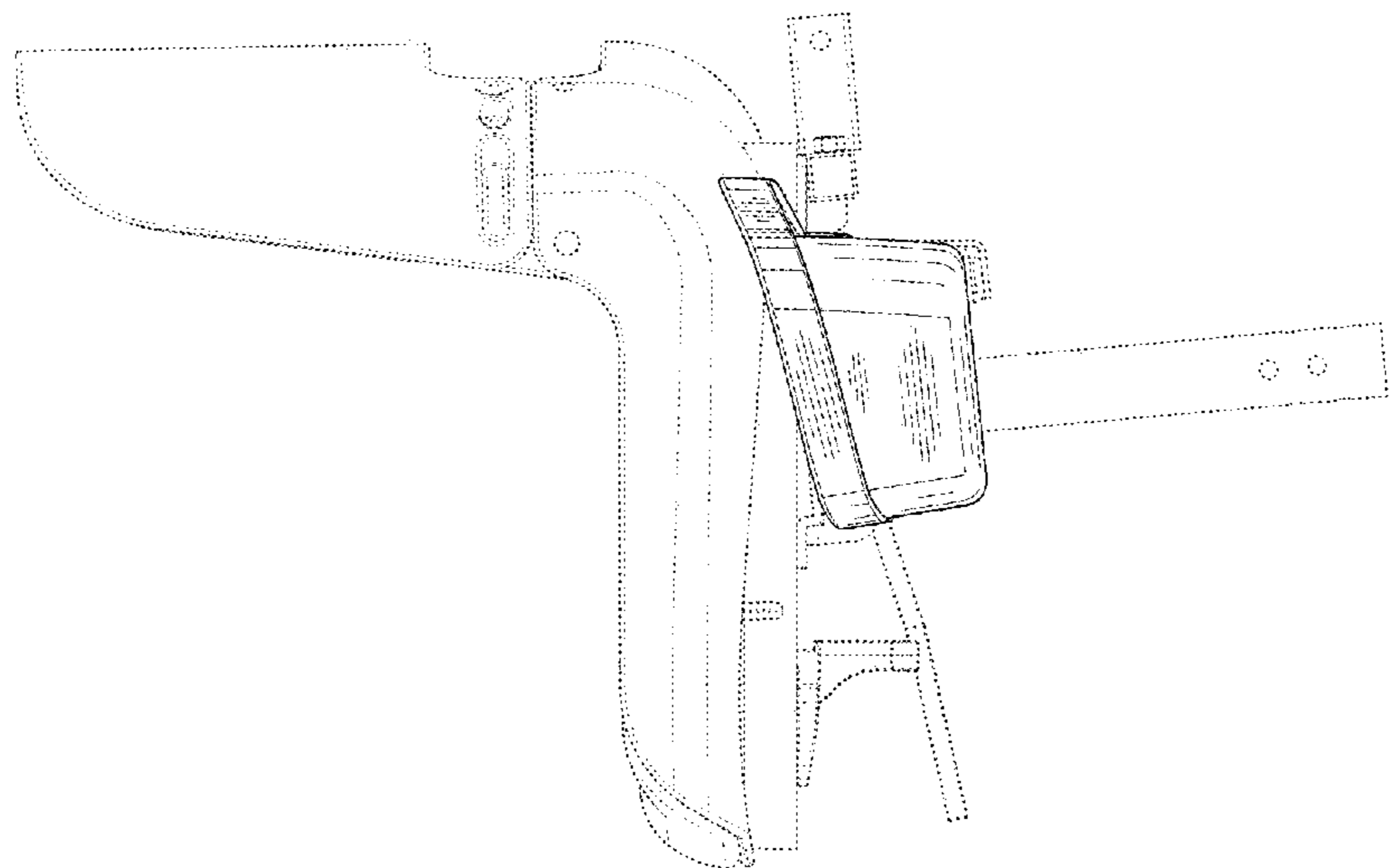


FIG. 11

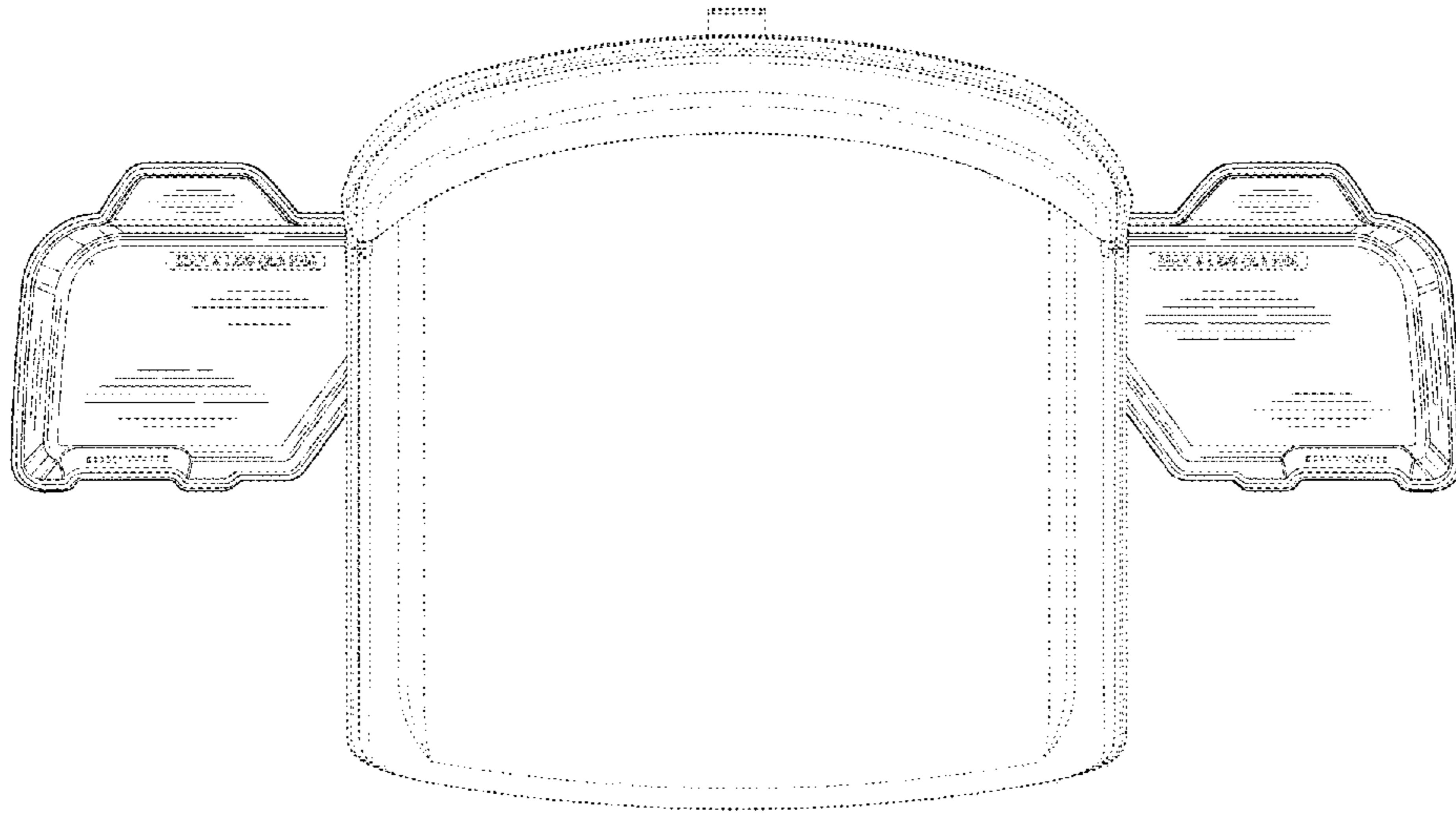


FIG. 13

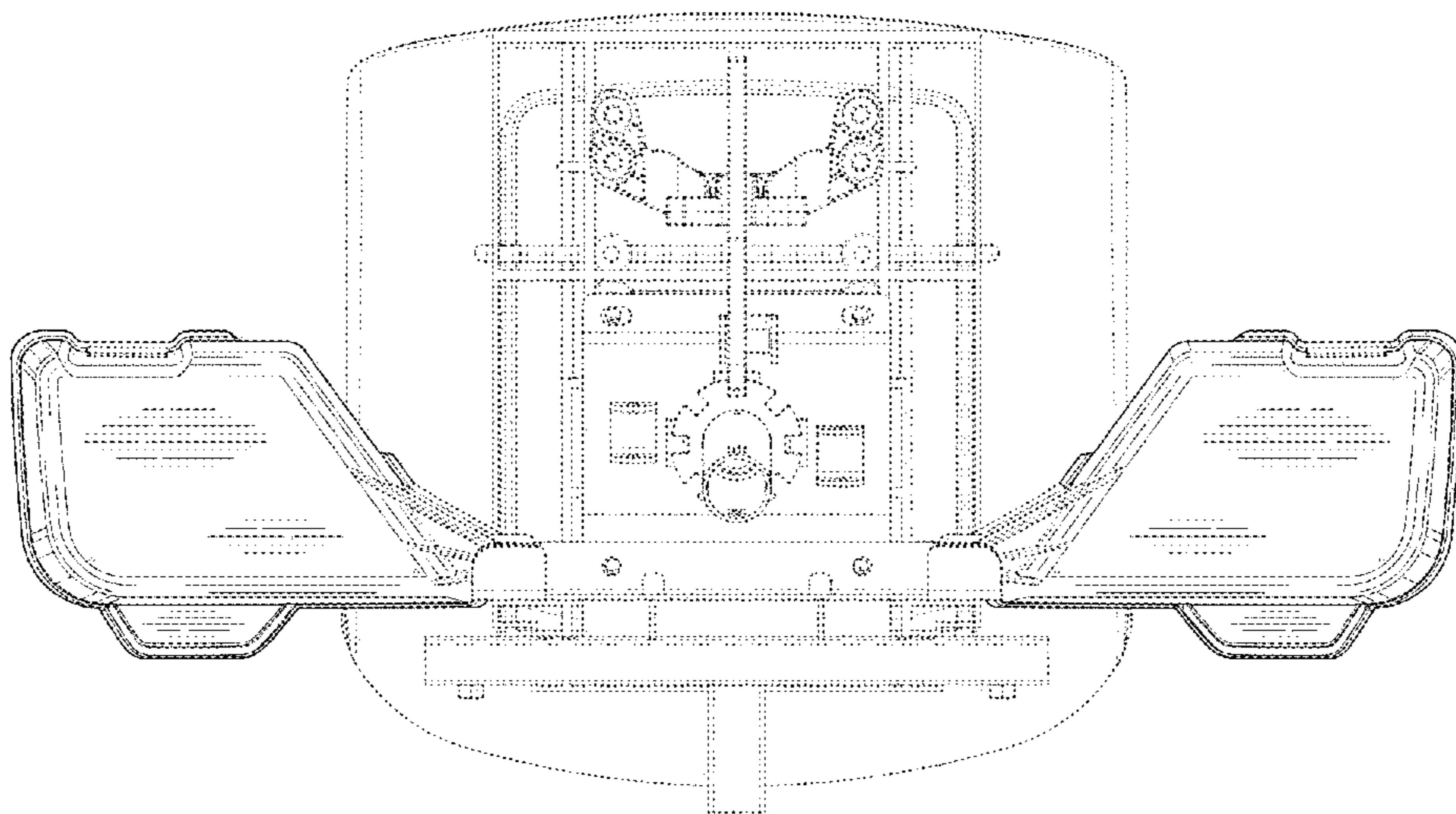


FIG. 14