

US00D766602S

(12) **United States Design Patent** (10) **Patent No.:** **US D766,602 S**  
**Clark** (45) **Date of Patent:** **\*\* Sep. 20, 2016**

(54) **KNEELING PLATFORM**  
(71) Applicant: **Bruce A. Clark**, Saint Paul, MN (US)  
(72) Inventor: **Bruce A. Clark**, Saint Paul, MN (US)  
(\*\*) Term: **14 Years**  
(21) Appl. No.: **29/505,042**  
(22) Filed: **May 8, 2015**

**Related U.S. Application Data**

(62) Division of application No. 29/463,162, filed on Aug. 19, 2013, now Pat. No. Des. 736,525.  
(51) **LOC (10) Cl.** ..... **06-06**  
(52) **U.S. Cl.**  
USPC ..... **D6/330**  
(58) **Field of Classification Search**  
USPC ..... D6/330, 335-338, 340, 349-355, 364, D6/366, 495, 376, 685, 691, 707.19, 709, D6/718.11, 344, 360, 716; 297/16.1, 39, 297/135, 158.3, 158, 175, 187, 195.1, 297/195.11, 423.1, 423.16, 445.1, 461, 462, 297/439, 70, 76, 423.25, 423.34, 423.36; 280/32.6, 32.5; 482/146, 148; D25/68, D25/69; D8/349; 248/210; 182/112, 120  
CPC ..... A47C 9/00; A47C 9/08; A47C 9/10; A47C 1/00; A47C 1/02; A47C 1/04; A47C 1/14; A47C 11/00; A47B 1/00  
See application file for complete search history.

(56) **References Cited**  
U.S. PATENT DOCUMENTS

830,103 A 9/1906 Rundell  
1,529,498 A 3/1925 Novak  
2,225,696 A 12/1940 Holzderber  
2,318,416 A 5/1943 Peirce  
2,829,705 A 4/1958 Godshalk et al.  
4,394,049 A 7/1983 Ward

D273,996 S 5/1984 Rasler  
4,606,576 A 8/1986 Jones  
D287,074 S 12/1986 Ritchie  
D288,513 S 3/1987 Shelly  
D305,522 S 1/1990 Kohus  
D311,282 S 10/1990 Tooley  
4,971,389 A 11/1990 Staggs  
D317,833 S \* 7/1991 Miller ..... D6/330  
5,125,646 A 6/1992 Wilkinson  
D331,330 S 12/1992 Bennett et al.  
D346,310 S 4/1994 Schlesier et al.  
D351,738 S 10/1994 LaCombe  
D369,842 S 5/1996 Gvoich  
D376,481 S 12/1996 Bidwell et al.  
D387,623 S 12/1997 Brooks  
D423,290 S 4/2000 Green  
D435,196 S 12/2000 Gregor et al.  
D463,039 S 9/2002 Tseng  
D510,699 S 10/2005 Crain et al.  
D541,433 S 4/2007 Wise  
D592,411 S \* 5/2009 Moffat ..... D6/330

(Continued)

**FOREIGN PATENT DOCUMENTS**

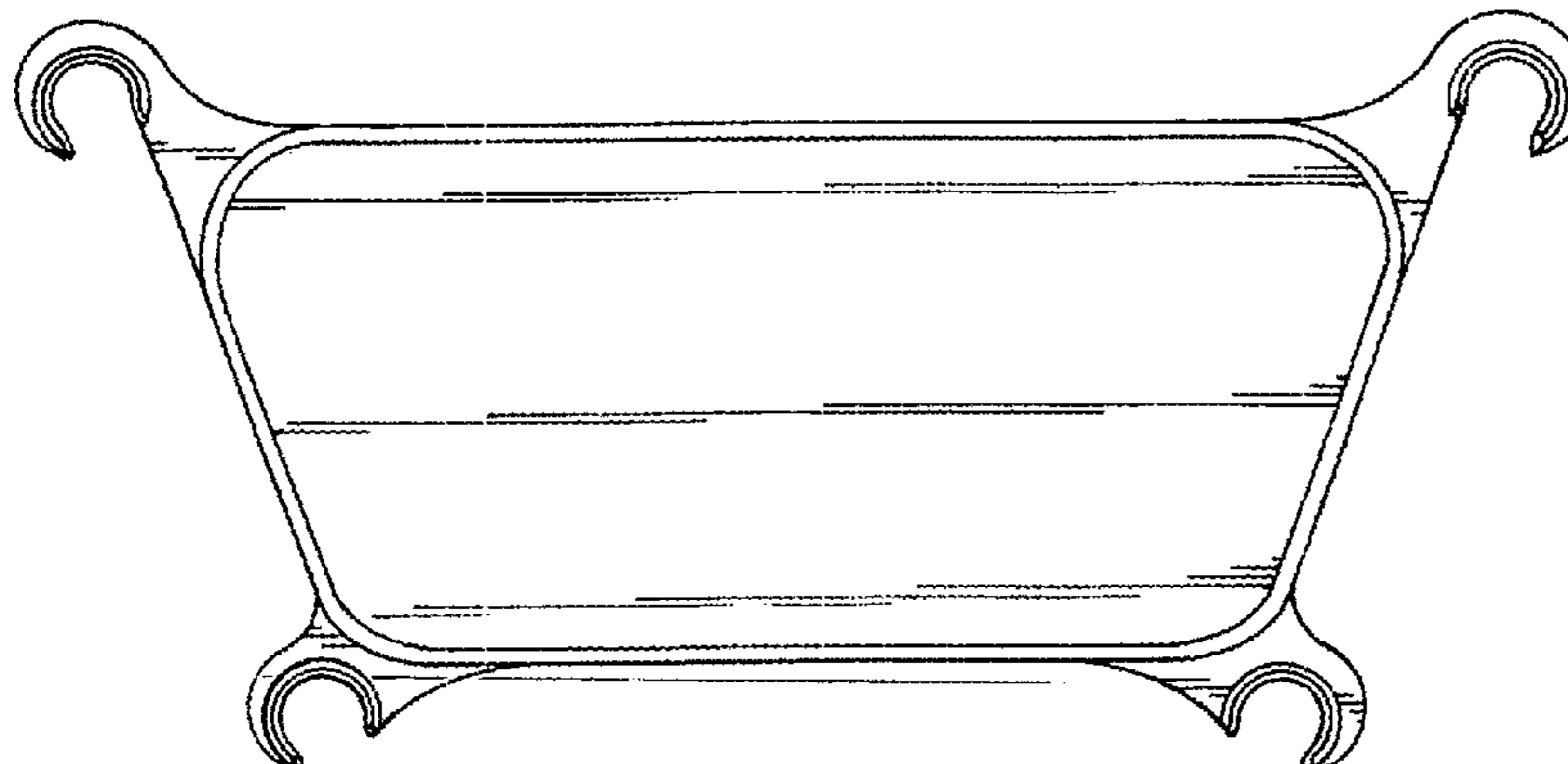
GB 762869 12/1956  
*Primary Examiner* — Abraham Bahta  
(74) *Attorney, Agent, or Firm* — Richard John Bartz

(57) **CLAIM**  
The ornamental design for a kneeling platform, as shown and described.

**DESCRIPTION**

FIG. 1 is a top plan view showing the kneeling platform of my design;  
FIG. 2 is a front elevational view thereof;  
FIG. 3 is a rear elevational view thereof;  
FIG. 4 is a right side elevational view thereof;  
FIG. 5 is a left side elevational view thereof; and,  
FIG. 6 is a bottom plan view thereof.

**1 Claim, 2 Drawing Sheets**



# US D766,602 S

Page 2

---

(56)

## References Cited

### U.S. PATENT DOCUMENTS

D612,160 S 3/2010 Carino  
D685,110 S 6/2013 Lusin et al.

D736,002 S \* 8/2015 Clark ..... D6/330  
D736,525 S \* 8/2015 Clark ..... D6/330  
2004/0201268 A1 10/2004 Liao

\* cited by examiner

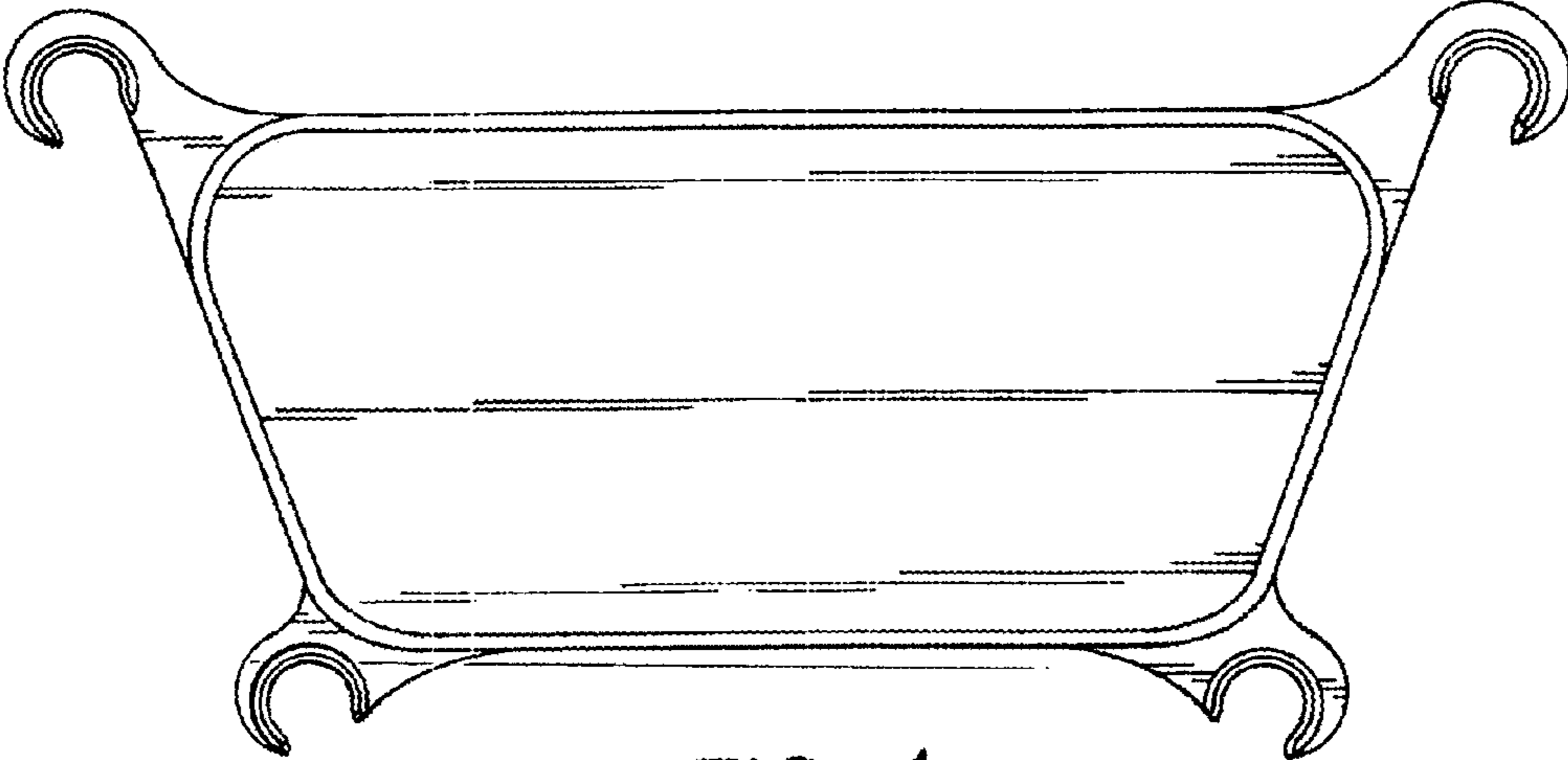


FIG. 1

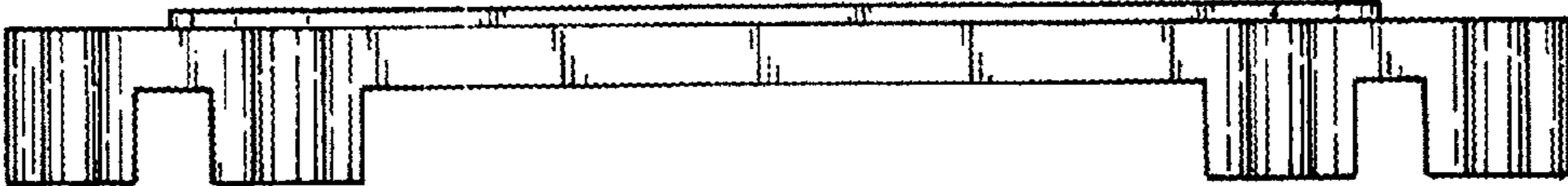


FIG. 2



FIG. 3

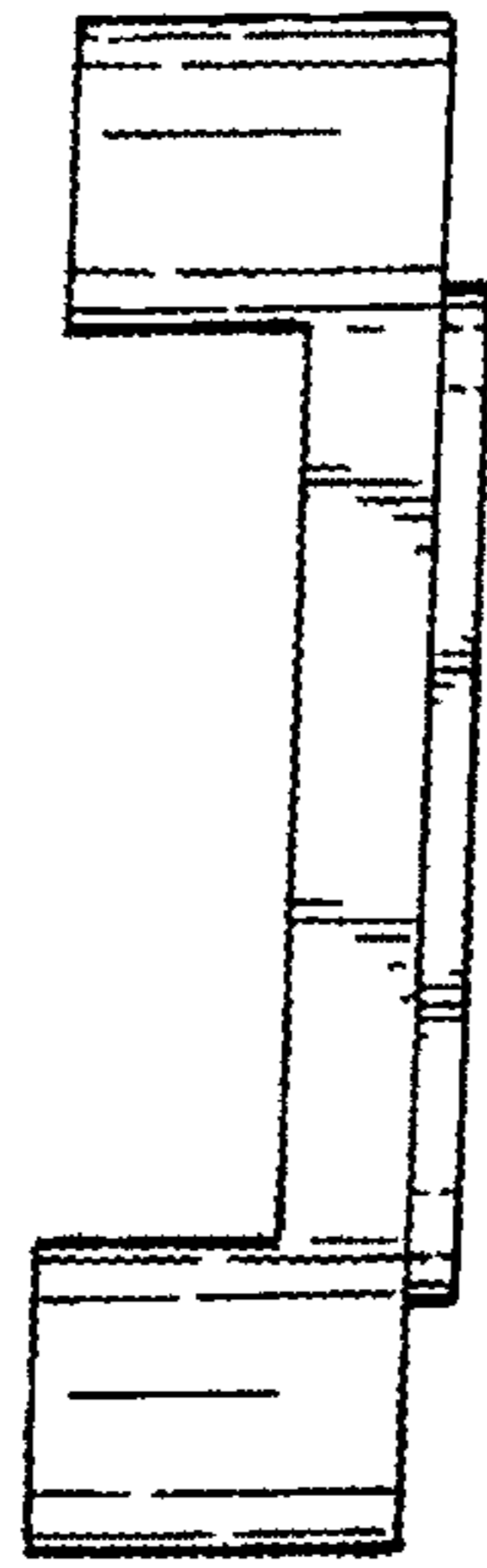


FIG. 4

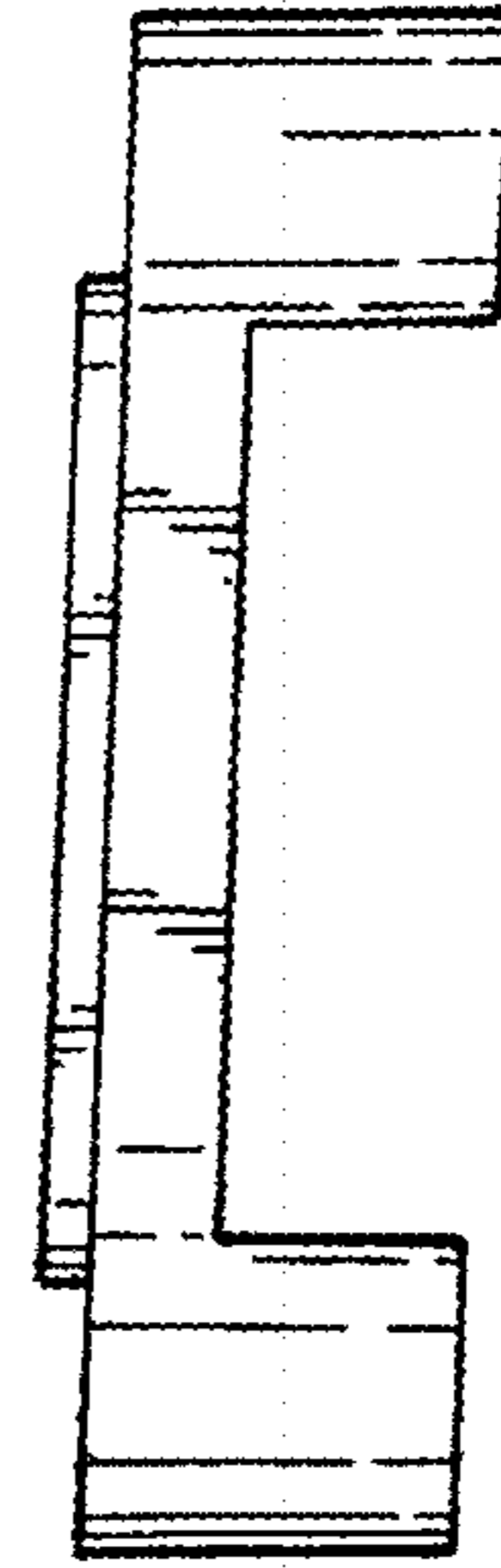


FIG. 5

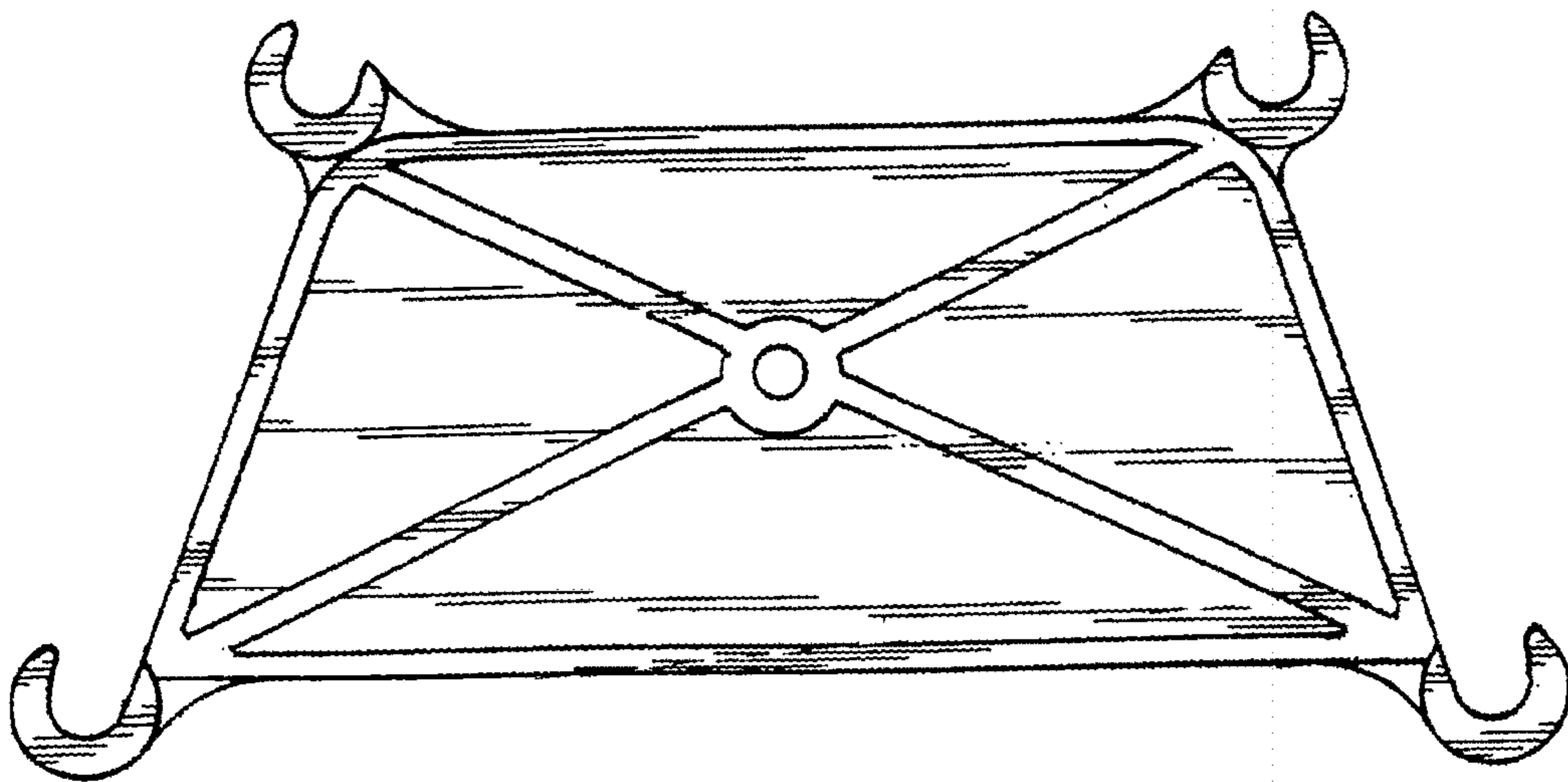


FIG. 6