

US00D766601S

(12) **United States Design Patent** (10) **Patent No.:** **US D766,601 S**
Barre et al. (45) **Date of Patent:** **** Sep. 20, 2016**

(54) **HANGER**
(71) Applicant: **NEATFREAK GROUP INC.**,
Mississauga (CA)
(72) Inventors: **Bertrand Barre**, Lapeyrouse (FR);
Francis Lepage, Dommartin (FR)
(73) Assignee: **NEATFREAK GROUP INC.**,
Mississauga, Ontario (CA)
(**) Term: **15 Years**
(21) Appl. No.: **29/534,485**
(22) Filed: **Jul. 29, 2015**
(51) **LOC (10) Cl.** **06-08**
(52) **U.S. Cl.**
USPC **D6/326**
(58) **Field of Classification Search**
USPC D6/315-328, 680.2; 223/85-98; 211/1,
211/13.1, 85.3, 113; D8/373, 395
CPC A47G 25/28; A47G 25/14; A47G 25/36;
A47G 25/48; A47G 25/66; A47G 25/441;
A47G 25/481; A47G 25/483; A47G 25/485;
A47G 25/487; A47G 25/621; A47G 25/743;
A47F 5/0006
See application file for complete search history.

D628,817 S * 12/2010 Song D6/326
D708,938 S * 7/2014 Perlman D8/395
D711,216 S 8/2014 Monteleone et al.
2015/0238035 A1* 8/2015 Montgomery D06F 55/02
223/96

OTHER PUBLICATIONS

Barre, Bertrand et al., co-pending Utility U.S. Appl. No. 14/944,915, entitled "Garment Hanger With Offset Hook", filed Nov. 18, 2015, having a common inventor and assignee in the present application.
Four photographs of a hanger of Neatfreak Group, Inc., Mississauga, Ontario, Canada, on sale in the U.S. at least as early as Jul. 28, 2014.

* cited by examiner

Primary Examiner — Derrick Holland
Assistant Examiner — Lauren Calve
(74) *Attorney, Agent, or Firm* — Patzik, Frank & Samotny Ltd.

CLAIM

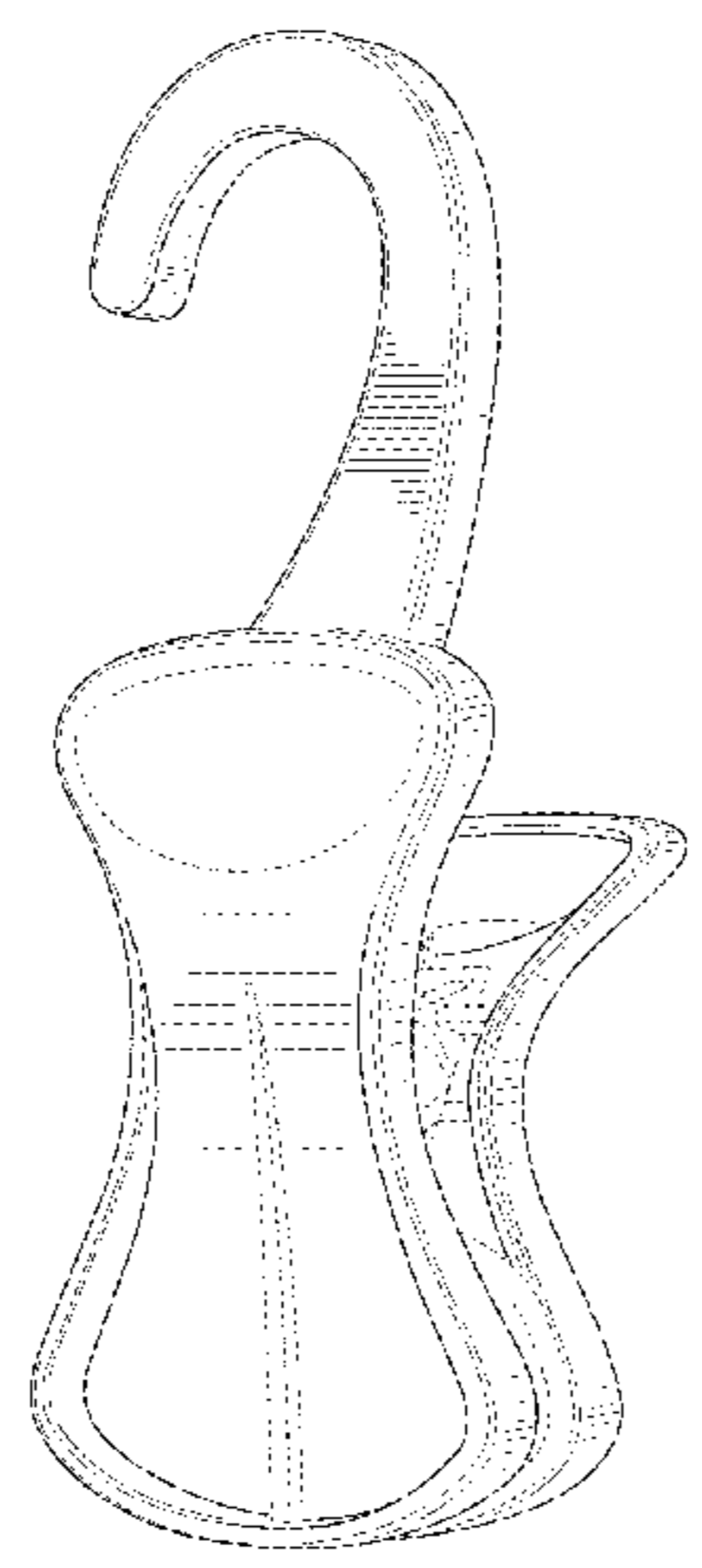
(57) The ornamental design for a hanger, as shown and described.

DESCRIPTION

FIG. 1 is a front perspective view of a hanger of the present invention;
FIG. 2 is a front elevation view of the hanger of the present invention;
FIG. 3 is a rear elevation view of the hanger of the present invention;
FIG. 4 is a bottom plan view of the hanger of the present invention;
FIG. 5 is a top plan view of the hanger of the present invention;
FIG. 6 is a right-side elevation view of the hanger of the present invention; and,
FIG. 7 is a left-side elevation view of the hanger of the present invention.
The broken lines shown represent unclaimed subject matter and form no part of the claimed design.

1 Claim, 7 Drawing Sheets

(56) **References Cited**
U.S. PATENT DOCUMENTS
D56,963 S * 1/1921 Fields D6/547
D295,811 S * 5/1988 Larsson D32/64
D298,711 S * 11/1988 Lowance D32/63
D307,833 S * 5/1990 Maki D32/64
4,943,026 A 7/1990 Fildan
D328,418 S * 8/1992 Becklund D19/65
5,732,921 A * 3/1998 Lemire A47F 5/0006
24/515
D481,618 S 11/2003 Felsenthal
6,842,951 B1 1/2005 Barre et al.
D552,461 S 10/2007 Oas
D599,651 S 9/2009 Riggsbee
7,591,092 B2 9/2009 Wolf



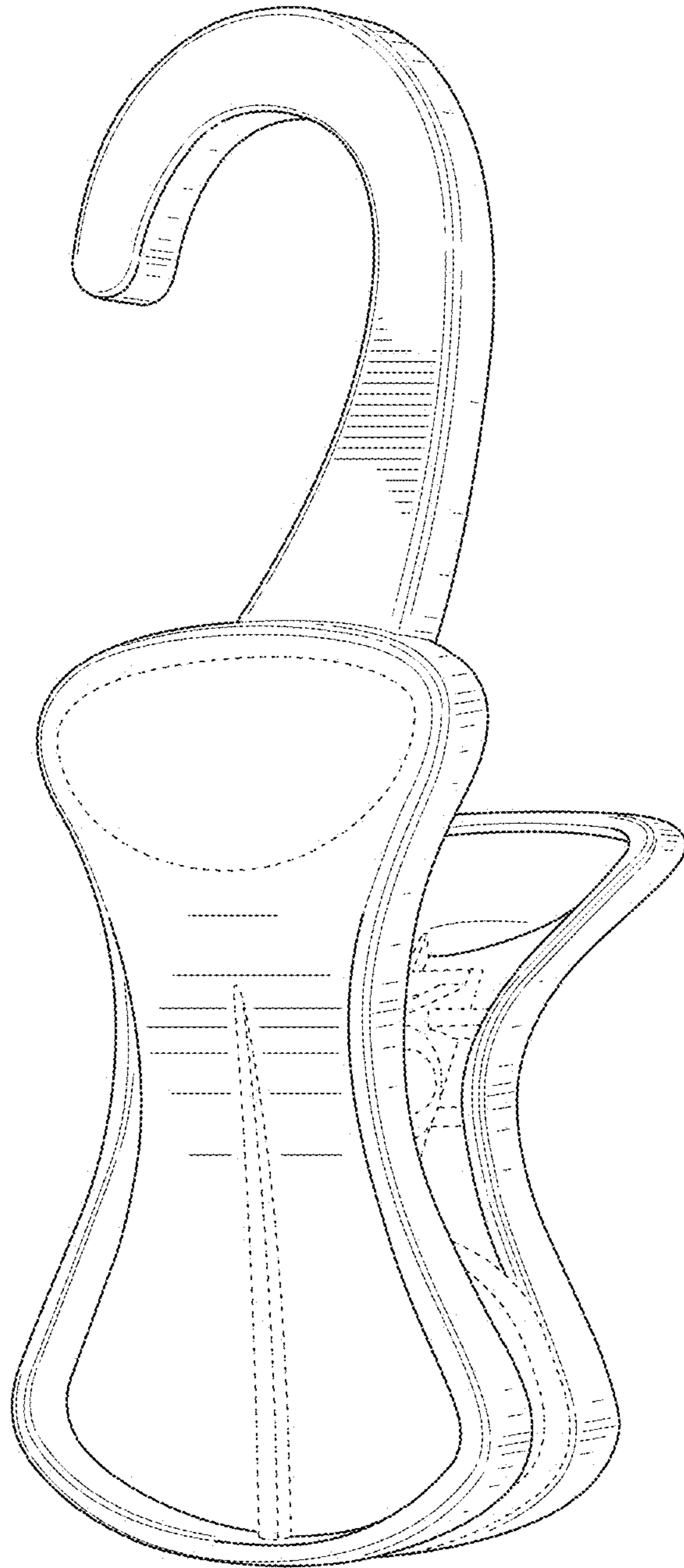


FIG. 1

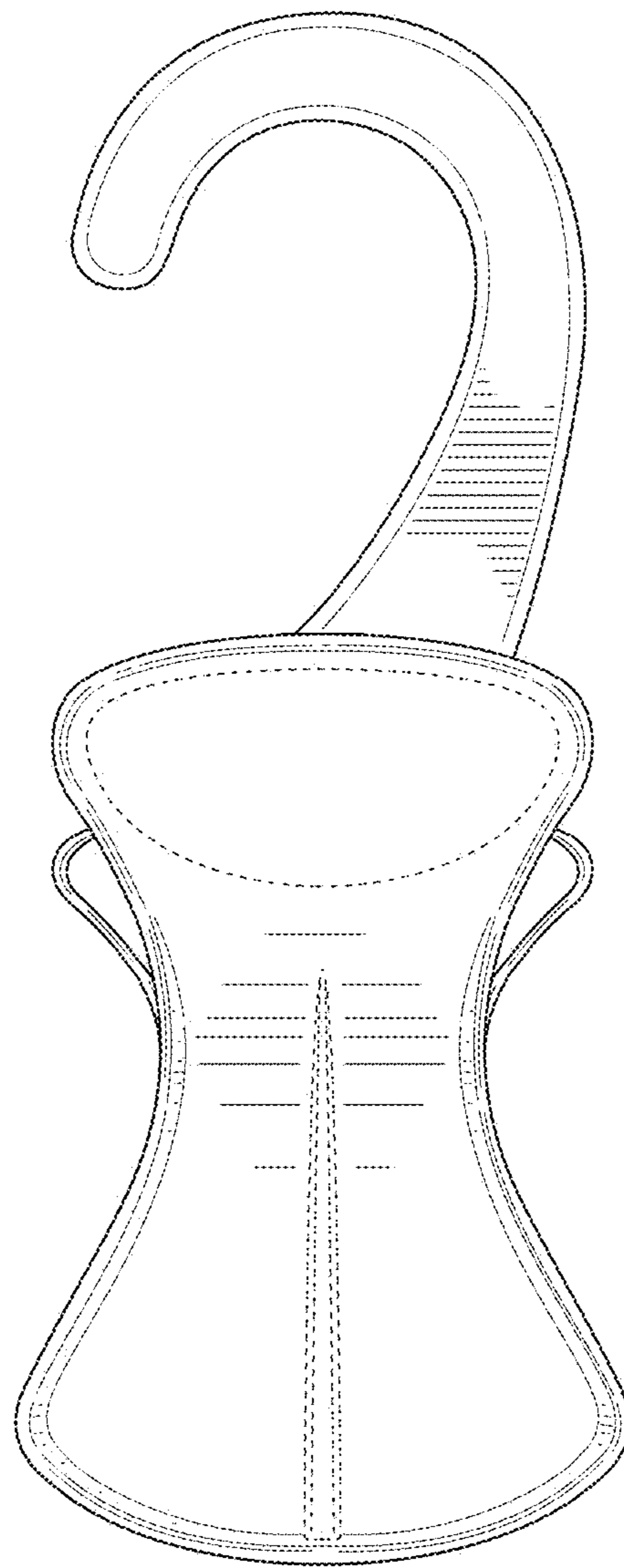


FIG. 2

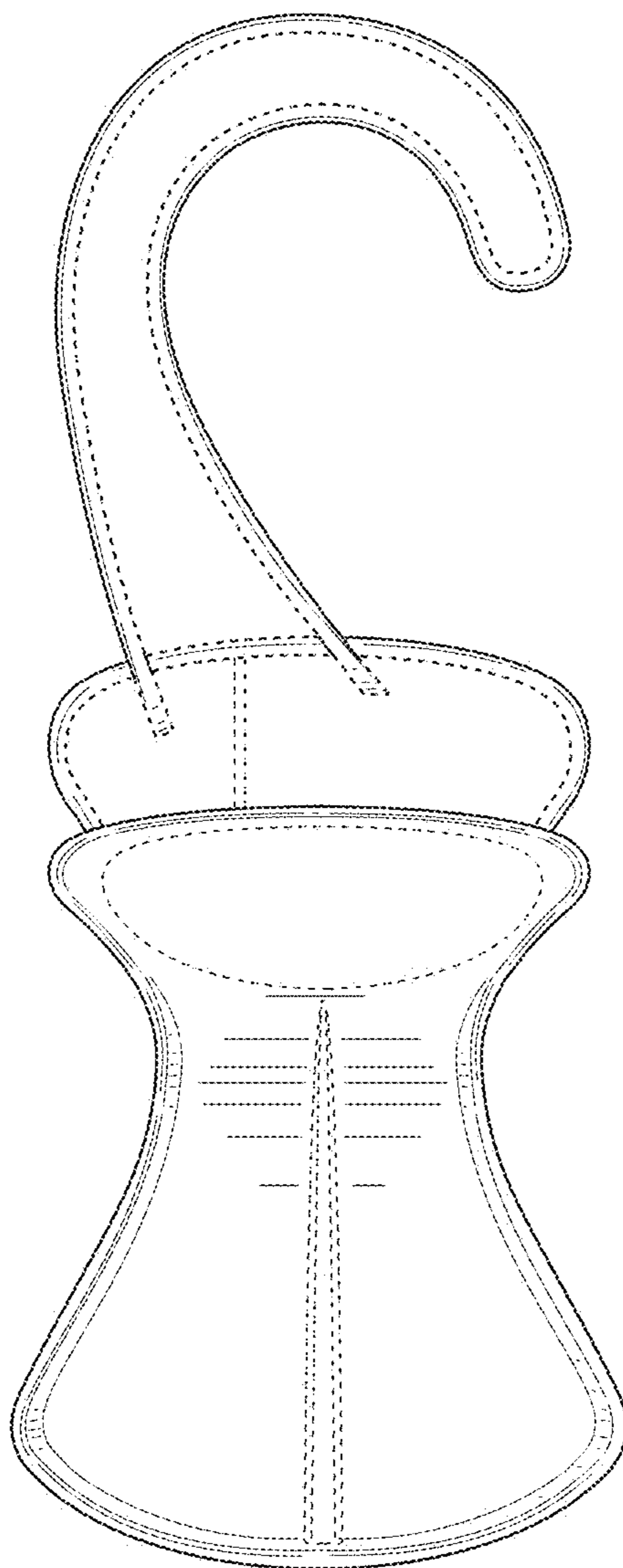


FIG. 3

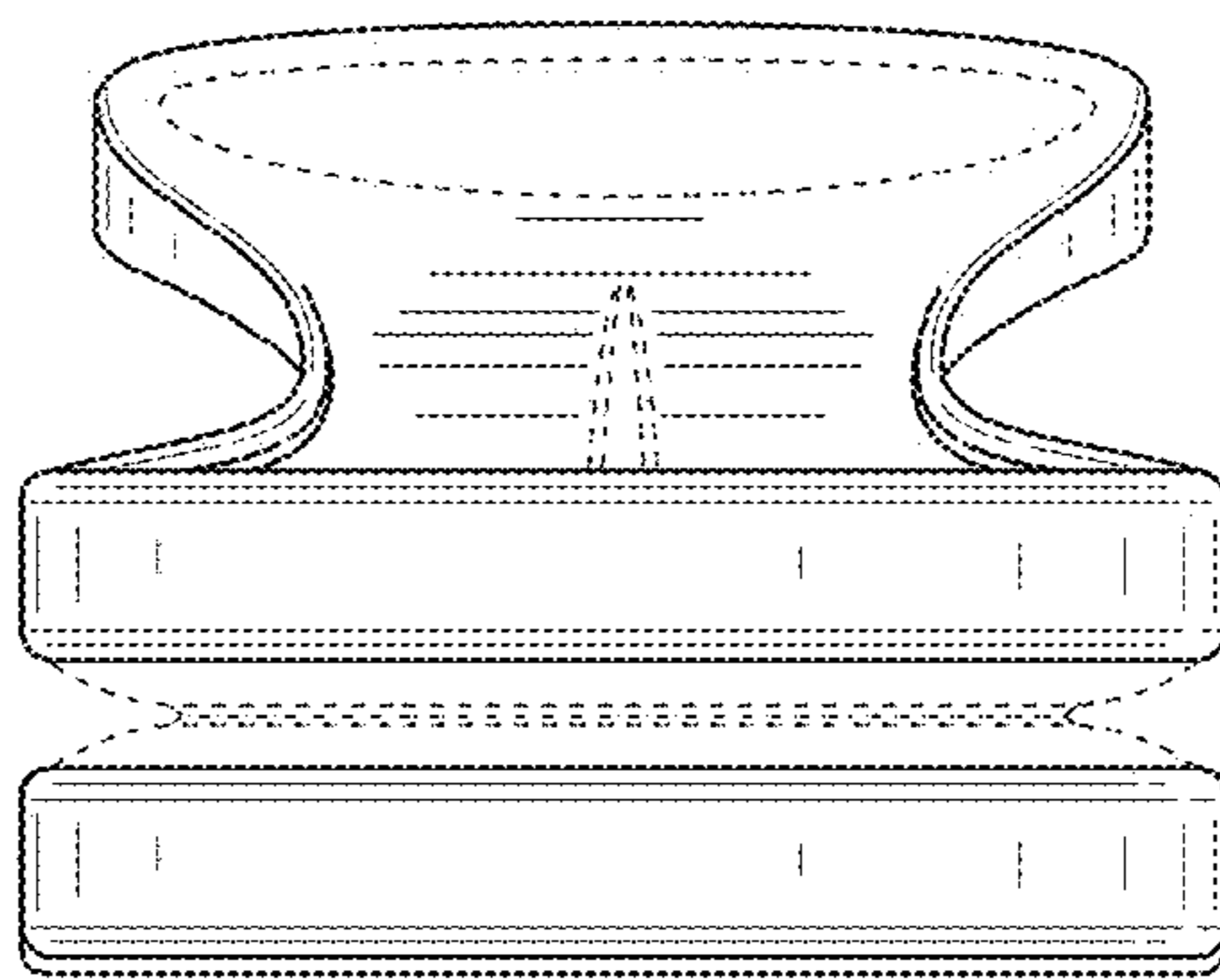


FIG. 4

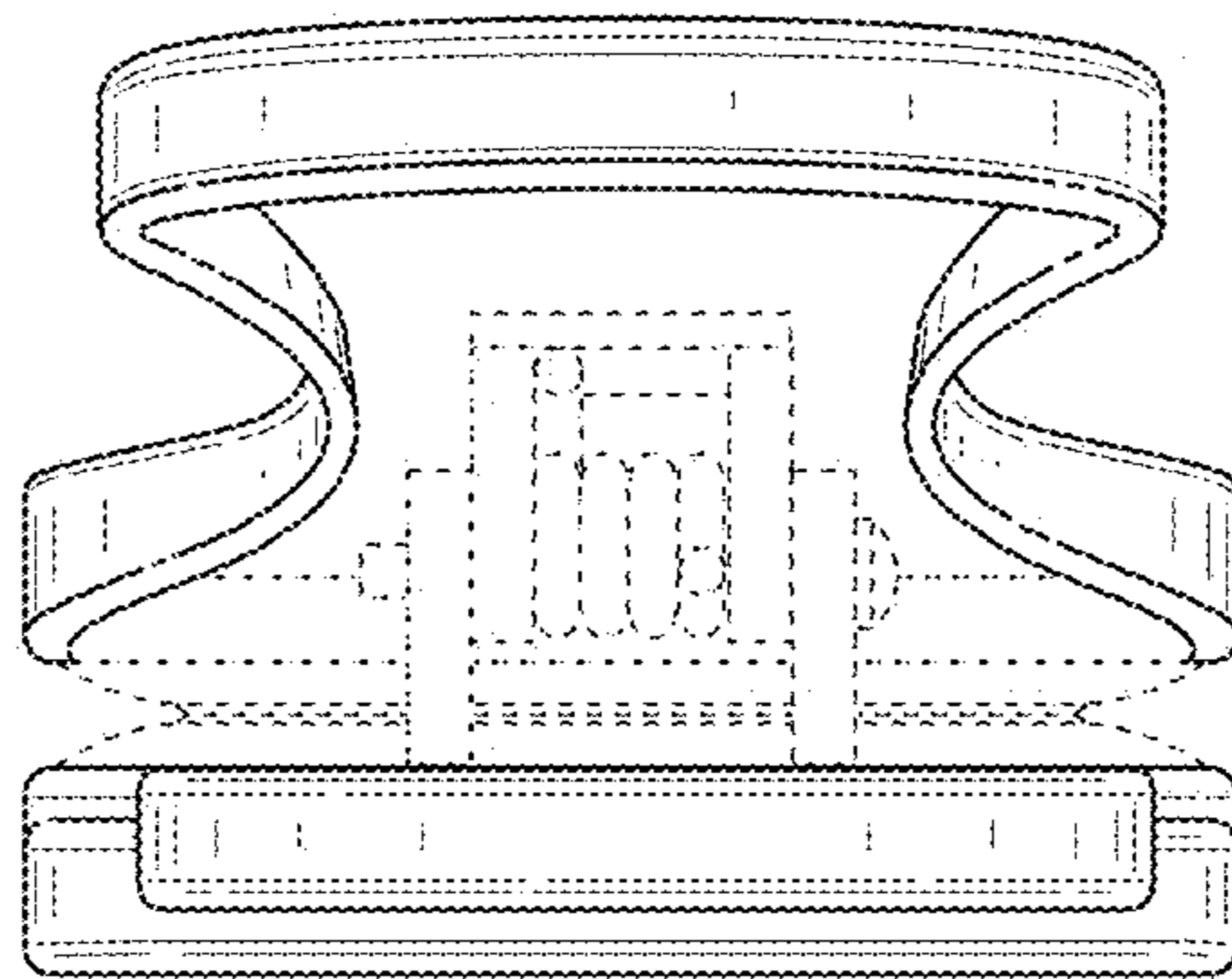


FIG. 5

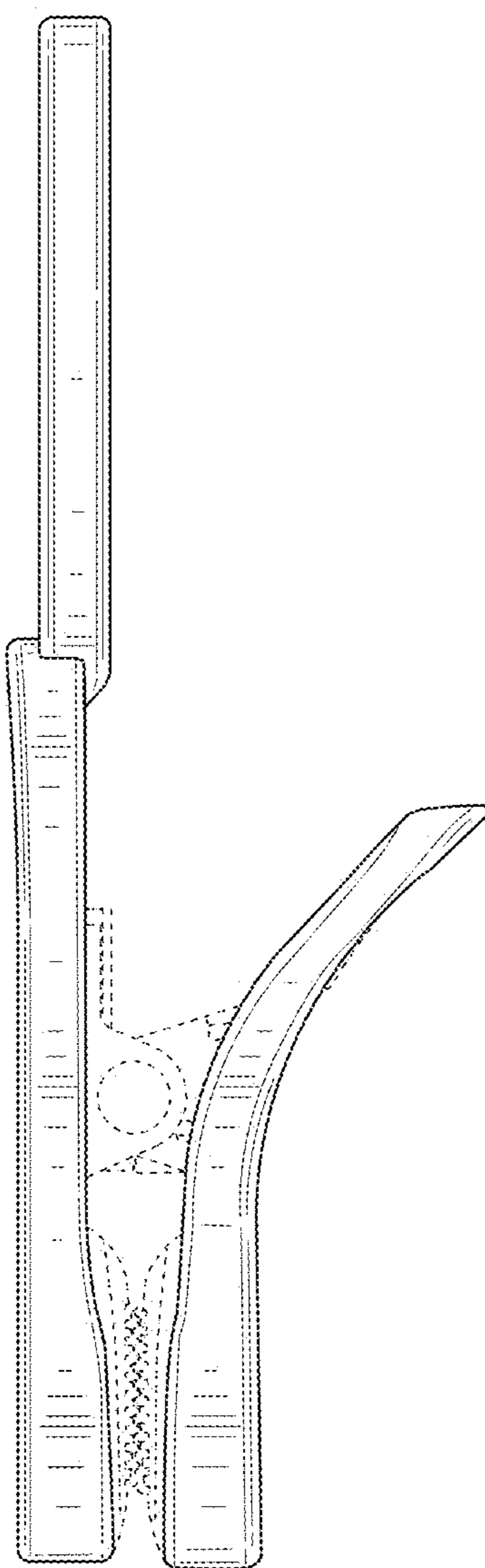


FIG. 6

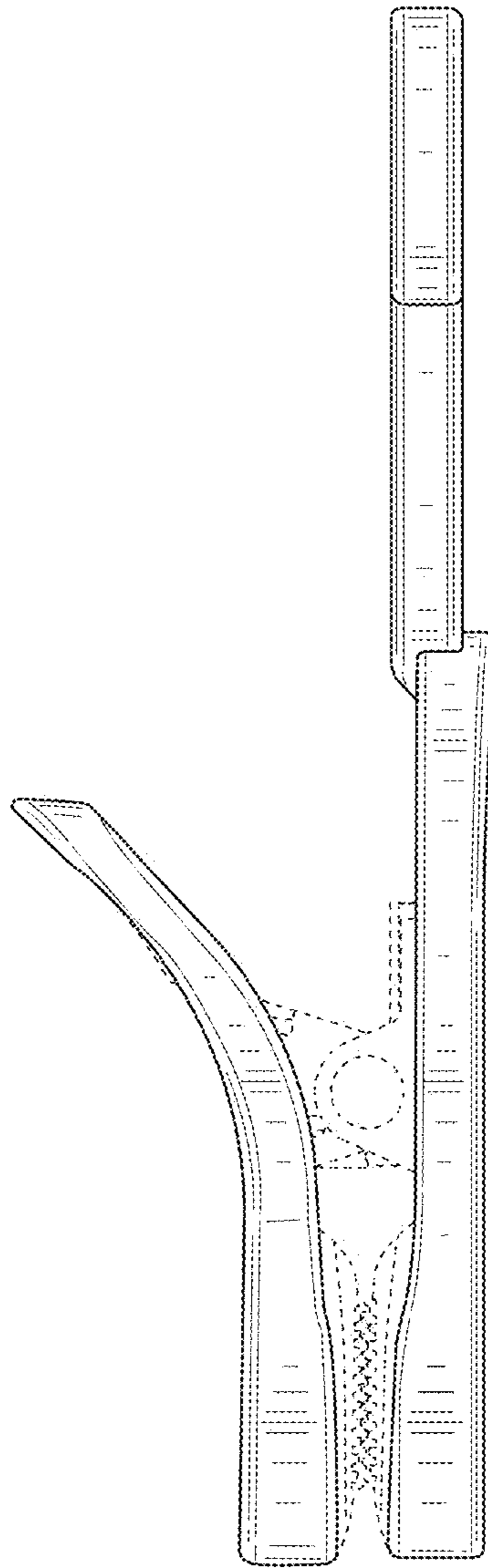


FIG. 7