



US00D766585S

(12) **United States Design Patent**
Cornett

(10) **Patent No.:** **US D766,585 S**

(45) **Date of Patent:** **** Sep. 20, 2016**

(54) **GRILL BRUSH**

(71) Applicant: **Carbon 12 Innovations, LLC**, St. Peters, MO (US)

(72) Inventor: **Shawn Cornett**, St. Peters, MO (US)

(73) Assignee: **Carbon 12 Innovations, LLC**, St. Peters, MO (US)

(**) Term: **15 Years**

(21) Appl. No.: **29/531,091**

(22) Filed: **Jun. 23, 2015**

(51) **LOC (10) Cl.** **04-03**

(52) **U.S. Cl.**
USPC **D4/119**

(58) **Field of Classification Search**
USPC D4/114, 119, 127, 128, 131-134, 139,
D4/138, 118, 102; D32/51, 49; 401/25;
15/106
CPC A46B 15/0055; A46B 5/0008
See application file for complete search history.

(56) **References Cited**

U.S. PATENT DOCUMENTS

D527,186 S *	8/2006	Ma	D4/102
D562,563 S *	2/2008	Wales	D4/114
D593,755 S *	6/2009	Mendez	D4/118
D601,345 S *	10/2009	Wales	D4/118
D601,808 S *	10/2009	Wales	D4/119
D622,510 S *	8/2010	Wales	D4/114
7,909,526 B2 *	3/2011	Wales	A46B 5/0008 401/25
D659,925 S *	5/2012	Zemel	D32/49
D661,906 S *	6/2012	Zemel	D4/131
D663,125 S *	7/2012	Zemel	D4/131

D663,531 S *	7/2012	Zemel	D4/131
D664,771 S *	8/2012	Gunjian	D4/131
D665,178 S *	8/2012	Zemel	D4/131
D673,372 S *	1/2013	Wales	D4/114
D680,335 S *	4/2013	Wales	D4/131
D680,701 S *	4/2013	Carlson	D32/51
D695,019 S *	12/2013	Zemel	D4/138
D700,438 S *	3/2014	Borovicka	D4/131
8,763,193 B1 *	7/2014	Thompson	A46B 15/0055 15/106
D711,110 S *	8/2014	Gonzalez	D4/138
D715,058 S *	10/2014	Roth	D4/114
D744,243 S *	12/2015	Harrington	D4/118
D748,399 S *	2/2016	Lu	D4/118
D753,403 S *	4/2016	Zemel	D4/127

* cited by examiner

Primary Examiner — Holly Baynham

Assistant Examiner — Rhea Shields

(74) *Attorney, Agent, or Firm* — Shuttleworth & Ingersoll, PLC; Brett Papendick

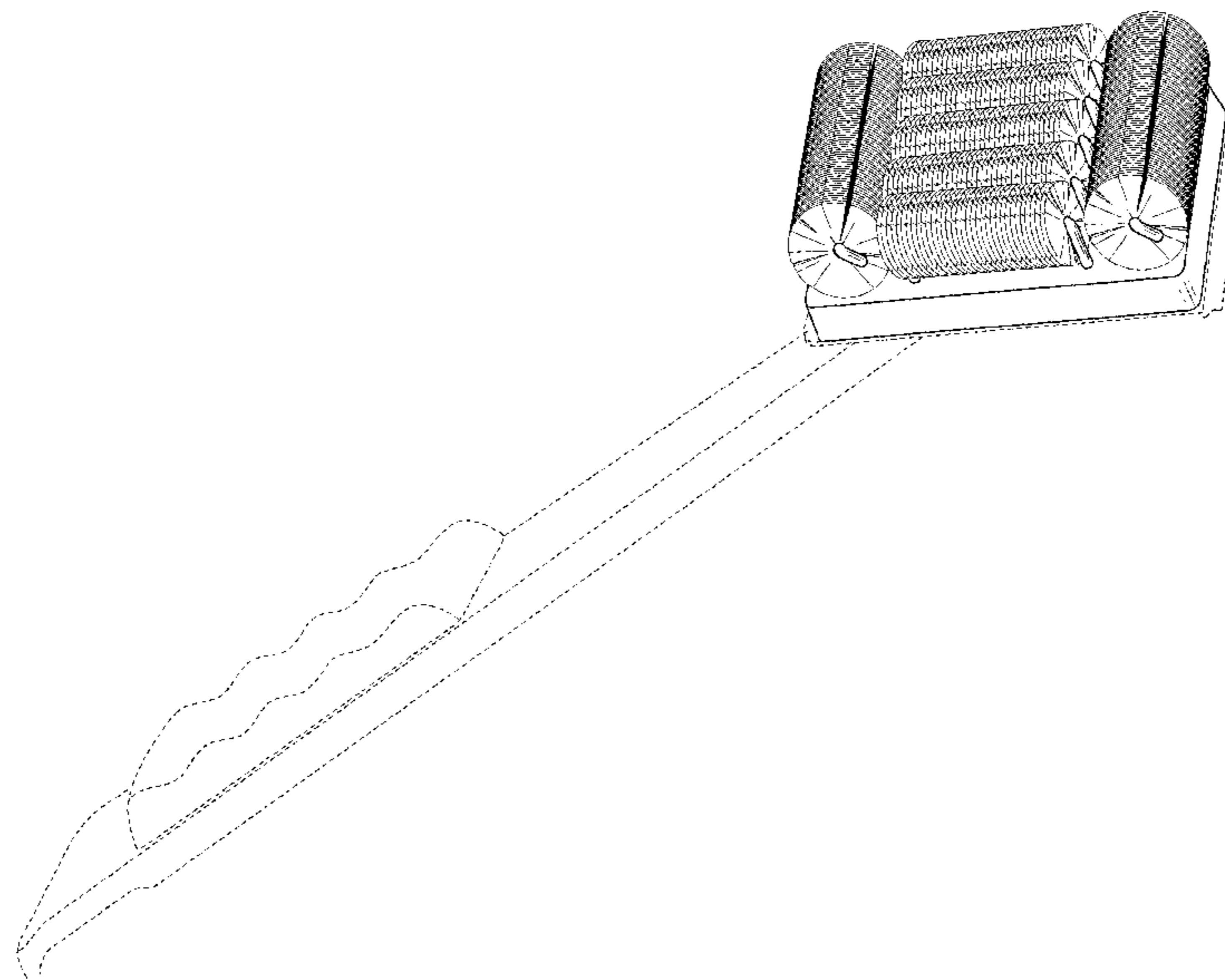
(57) **CLAIM**

The ornamental design for a grill brush, as shown and described.

DESCRIPTION

FIG. 1 is a perspective view of the embodiment thereof; FIG. 2 is a bottom view of the embodiment thereof; FIG. 3 is a top view of the embodiment thereof; FIG. 4 is a right side view of the embodiment thereof; FIG. 5 is a left side view of the embodiment thereof; FIG. 6 is a front view of the embodiment thereof; and, FIG. 7 is a back view of the embodiment thereof. In the drawings, the broken lines are for the purpose of illustrating environment only and form no part of the claimed design.

1 Claim, 7 Drawing Sheets



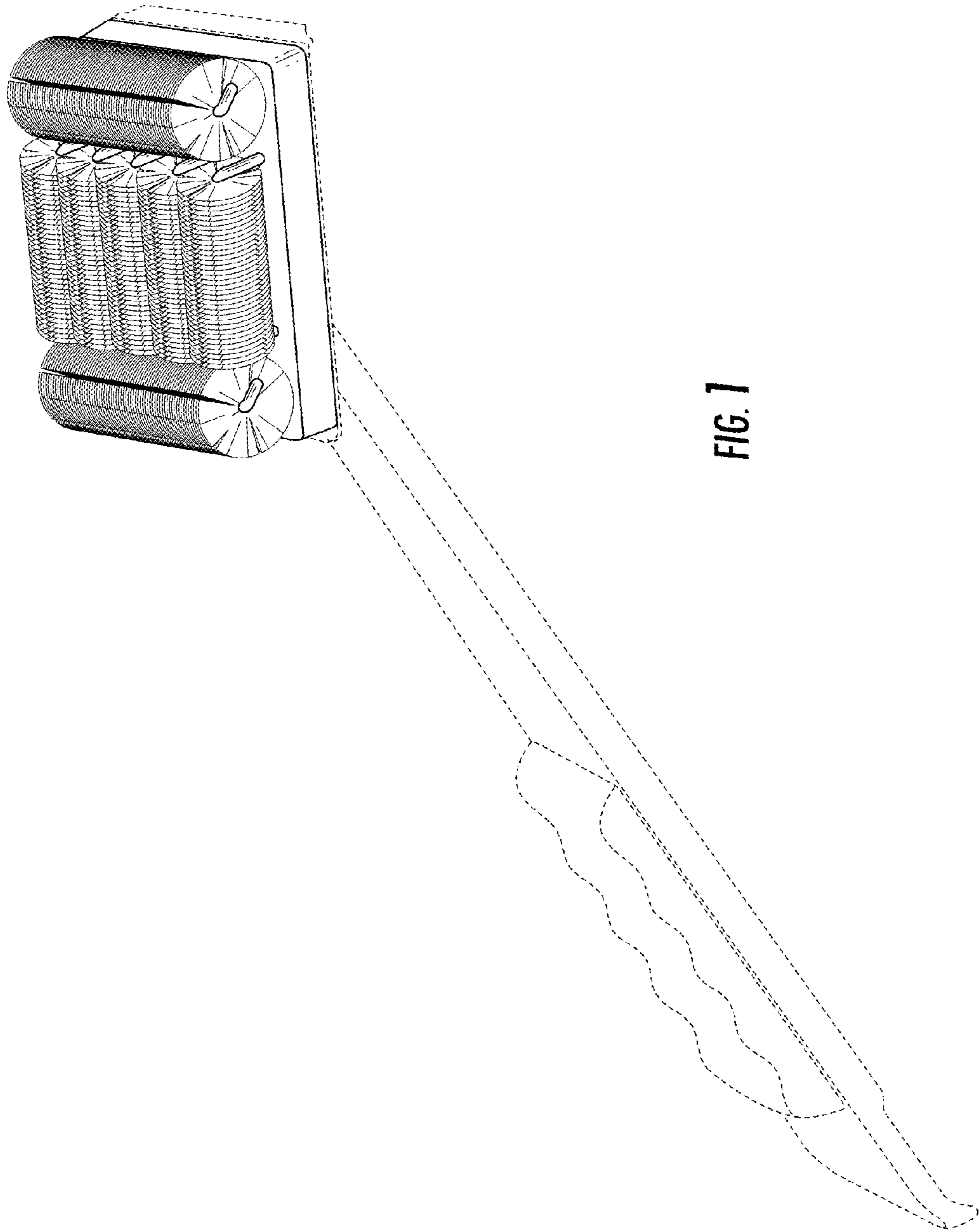


FIG. 1

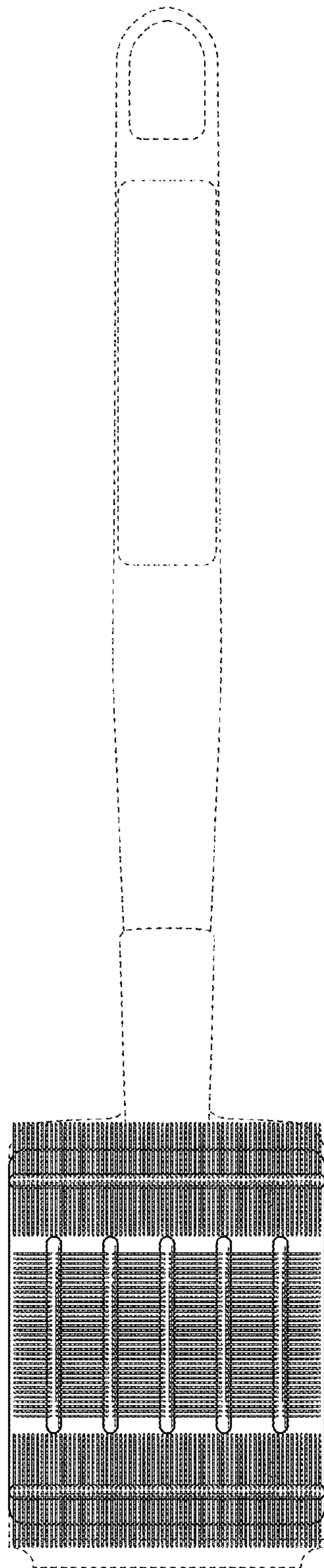


FIG. 2

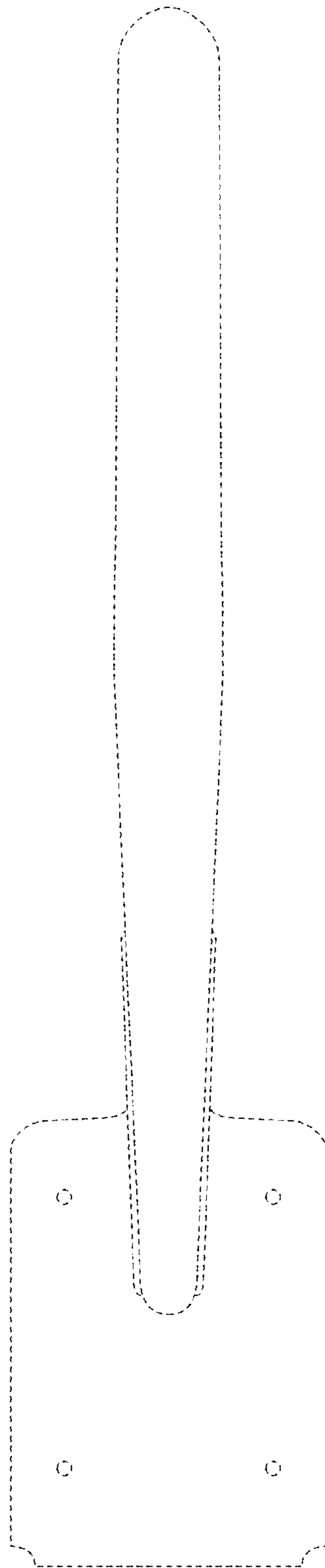


FIG. 3

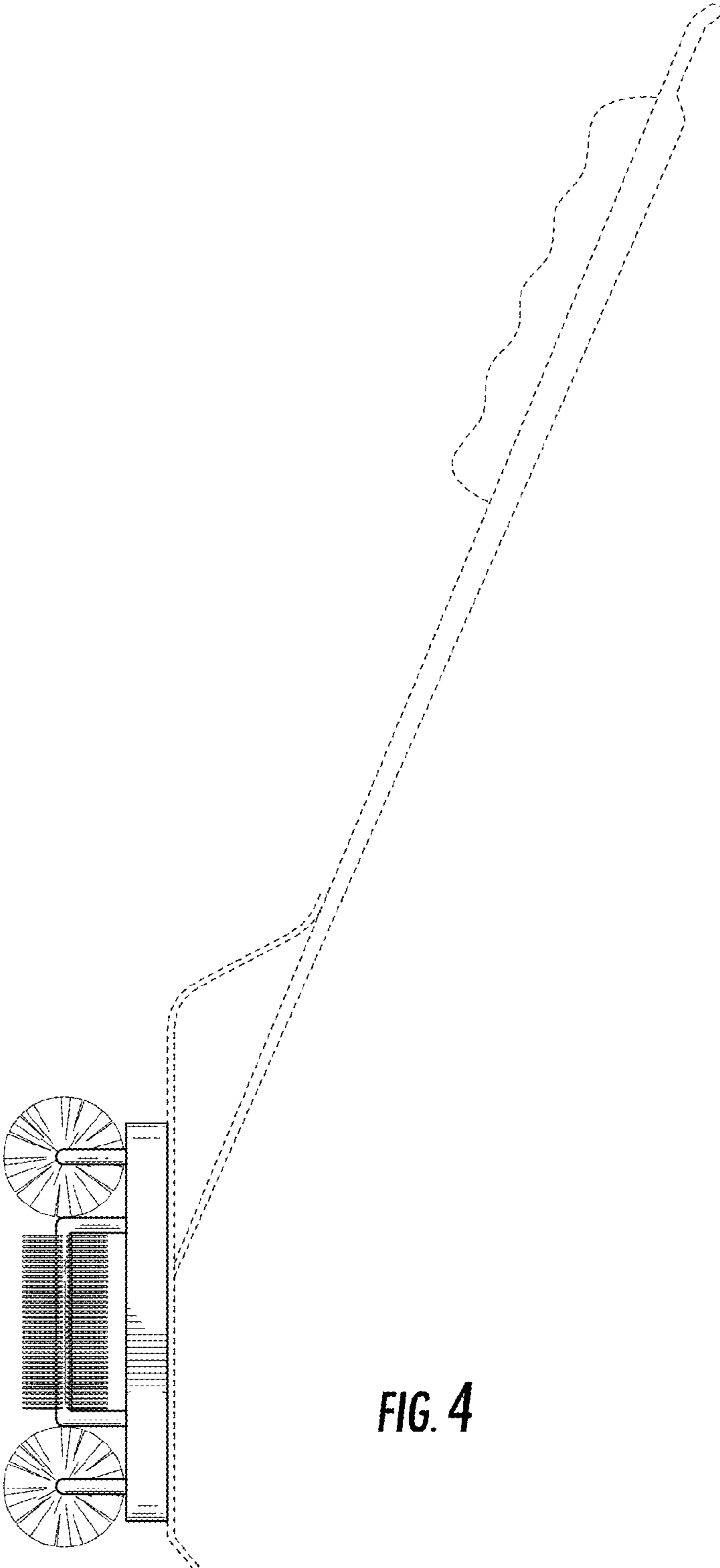


FIG. 4

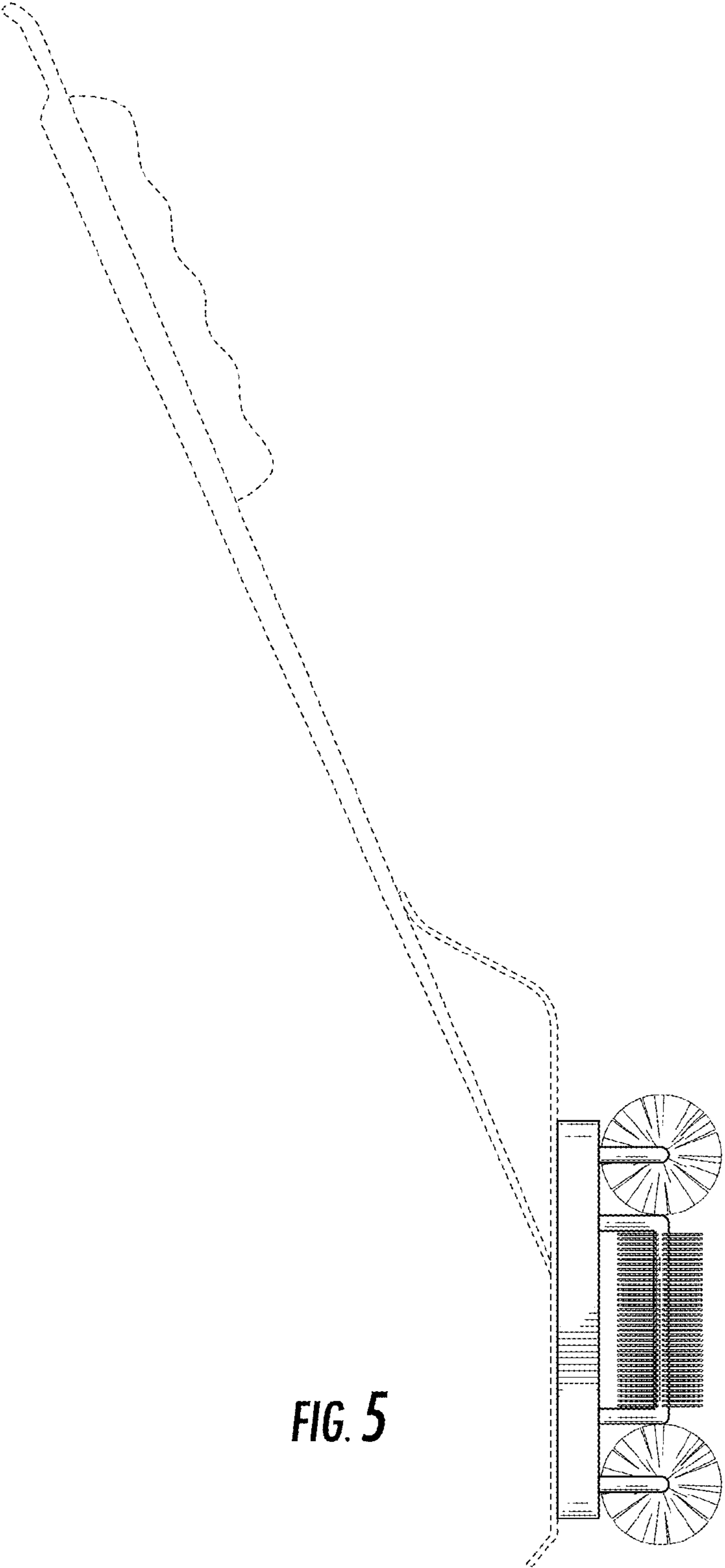


FIG. 5

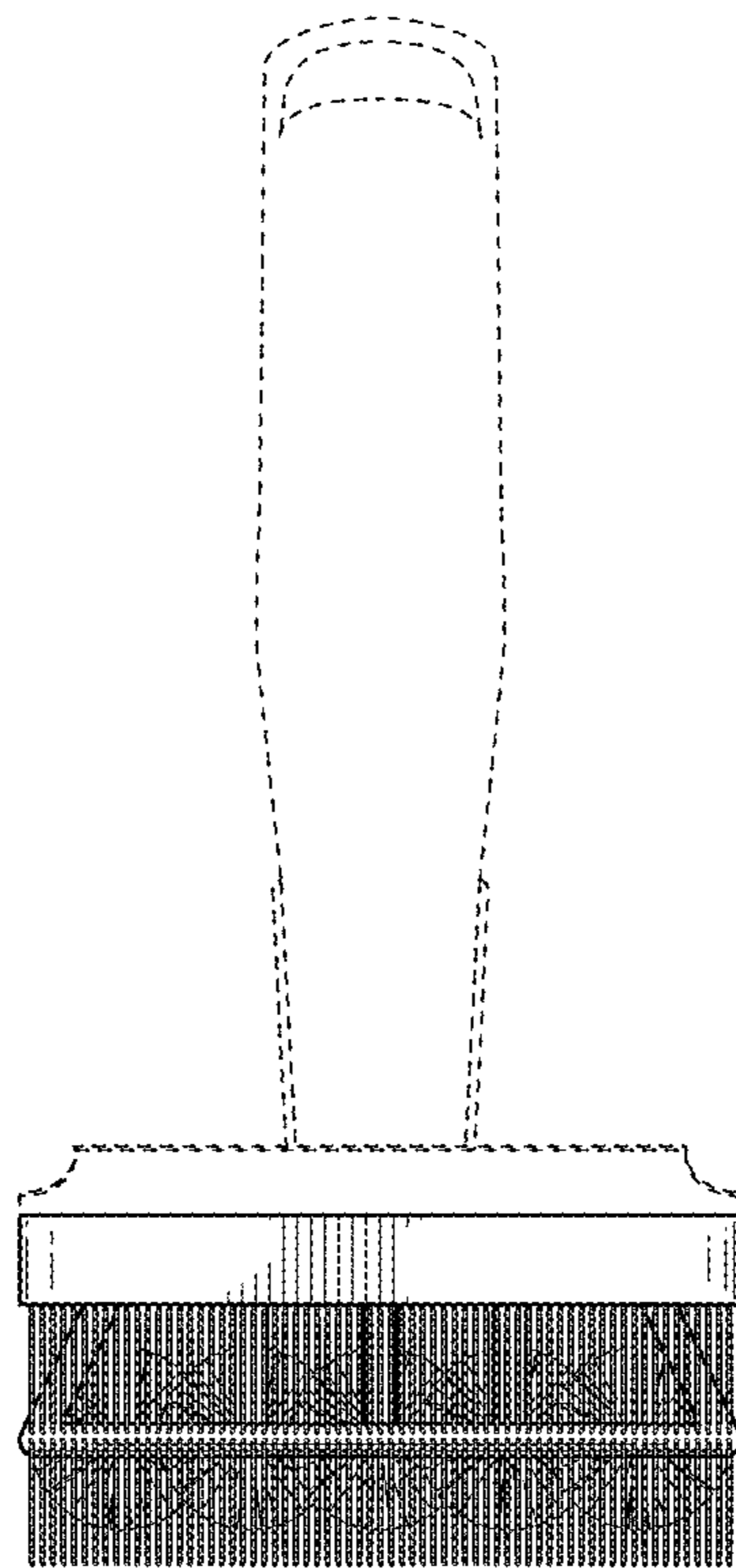


FIG. 6

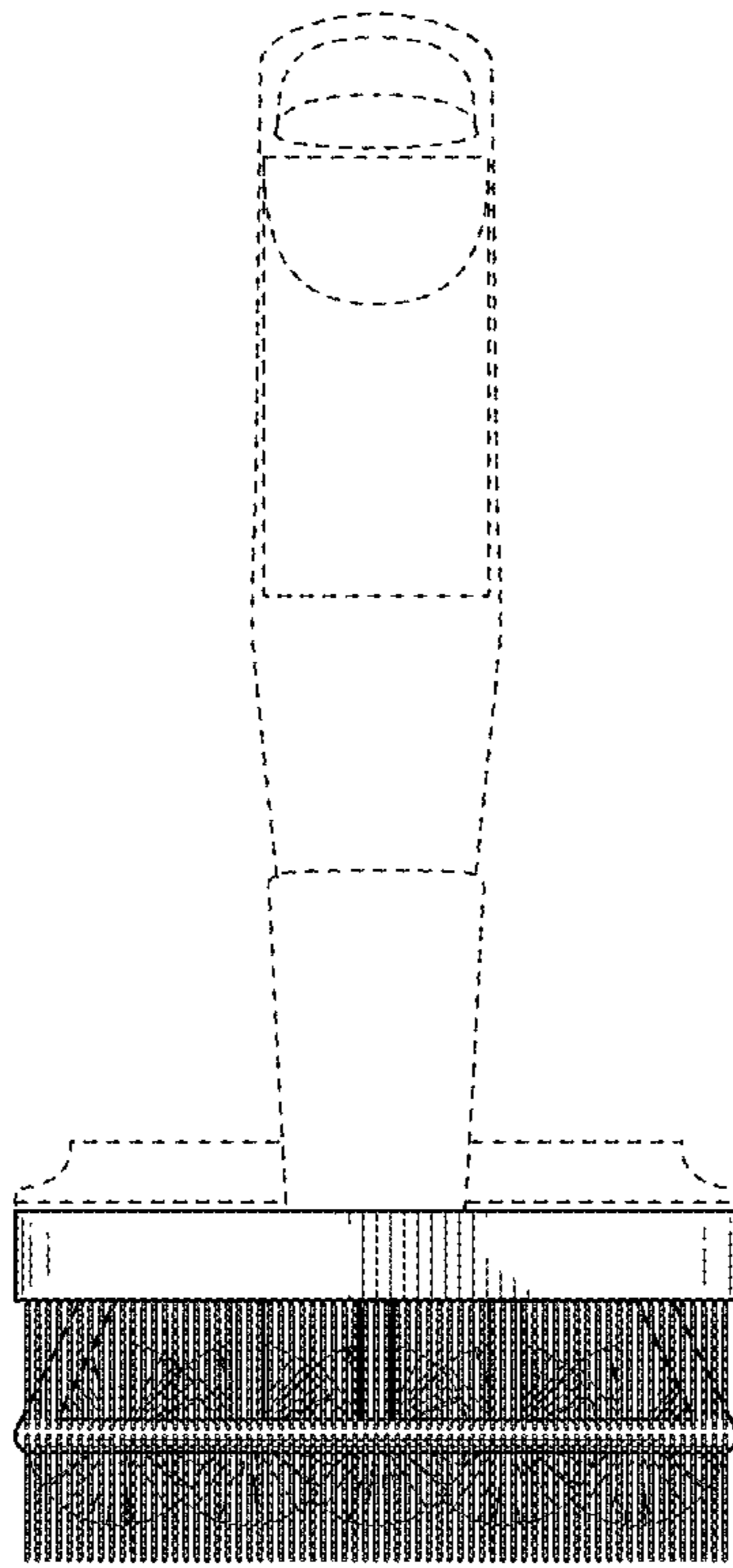


FIG. 7