



US00D766583S

(12) **United States Design Patent** (10) **Patent No.:** **US D766,583 S**  
**Metter** (45) **Date of Patent:** **\*\* Sep. 20, 2016**

(54) **TOOTHBRUSH**  
(71) Applicant: **TWINKLERS LTD.**, London (GB)  
(72) Inventor: **Jeremy Metter**, London (GB)  
(73) Assignee: **TWINKLERS LTD.**, London (GB)  
(\*\*) Term: **15 Years**  
(21) Appl. No.: **29/536,633**  
(22) Filed: **Aug. 18, 2015**

(30) **Foreign Application Priority Data**

Mar. 6, 2015 (EM) ..... 002647982

(51) **LOC (10) Cl.** ..... **04-02**

(52) **U.S. Cl.**  
USPC ..... **D4/104; D4/101**

(58) **Field of Classification Search**  
USPC ..... D4/101, 104–112, 132–134;  
132/308–311; 15/22.1, 105, 106,  
15/143.1, 167.1; 433/216  
CPC ..... A45D 44/18; A46B 15/0071; A46B  
2200/1066; A46B 5/02; A47K 1/09; A61C  
19/066

See application file for complete search history.

(56) **References Cited**

**U.S. PATENT DOCUMENTS**

D272,583 S \* 2/1984 McAlpine ..... D4/108  
D375,205 S \* 11/1996 Lewkowicz ..... D4/104  
D407,560 S \* 4/1999 Huang ..... D4/104  
D410,787 S \* 6/1999 Barre ..... D4/104  
6,234,798 B1 \* 5/2001 Beals ..... A46B 5/02  
15/143.1  
6,318,685 B1 \* 11/2001 Huber ..... A46B 5/00  
248/205.5  
D458,757 S \* 6/2002 Dunn ..... D4/104  
D475,530 S \* 6/2003 Dunn ..... D4/104  
D483,568 S \* 12/2003 Jamson ..... D4/104  
D487,195 S \* 3/2004 Winkler ..... D4/104

D490,247 S \* 5/2004 Nanda ..... D4/104  
D498,362 S \* 11/2004 Xi ..... D4/107  
D499,885 S \* 12/2004 Xi ..... D4/107  
D505,264 S \* 5/2005 Chen ..... D4/104  
D531,415 S \* 11/2006 Won ..... D4/104  
7,240,390 B2 \* 7/2007 Pfenniger ..... A46B 5/0062  
15/105  
D558,980 S \* 1/2008 Jimenez ..... D4/106  
D565,844 S \* 4/2008 Wong ..... D4/107  
D640,469 S \* 6/2011 Nanda ..... D4/112  
D648,134 S \* 11/2011 Nanda ..... D4/112  
D651,407 S \* 1/2012 Jin ..... D4/104  
D652,627 S \* 1/2012 Nanda ..... D4/104  
8,141,563 B2 \* 3/2012 De Masi, Sr. .... A46B 15/0055  
132/309  
D658,885 S \* 5/2012 Pereira ..... D4/104  
D661,098 S \* 6/2012 Nanda ..... D4/101  
D661,100 S \* 6/2012 Nanda ..... D4/104  
D667,223 S \* 9/2012 Ding ..... D4/108  
D674,195 S \* 1/2013 Nanda ..... D4/108  
8,382,208 B2 \* 2/2013 Baertschi ..... A46B 5/0025  
15/143.1  
D683,966 S \* 6/2013 Lee ..... D4/101  
D687,228 S \* 8/2013 Wong ..... D4/108  
8,561,244 B2 10/2013 Nanda

(Continued)

*Primary Examiner* — John Windmuller

*Assistant Examiner* — Steven Czyz

(74) *Attorney, Agent, or Firm* — Leob & Loeb LLP

(57) **CLAIM**

The ornamental design for a toothbrush, as shown and described.

**DESCRIPTION**

FIG. 1 is a perspective view of a toothbrush showing my new design;

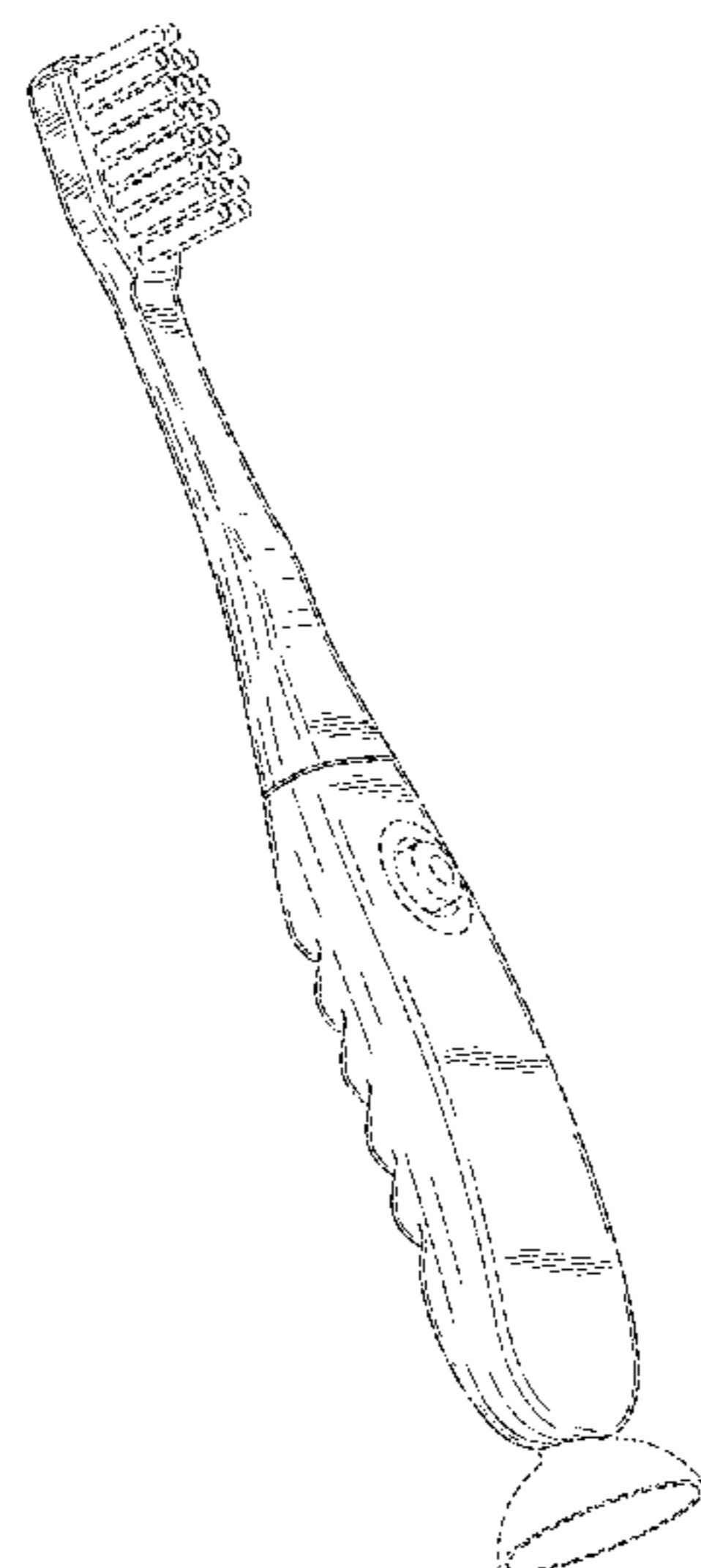
FIG. 2 is a front view of the toothbrush of FIG. 1;

FIG. 3 is a back view of the toothbrush of FIG. 1; and,

FIG. 4 is a right side view of the toothbrush of FIG. 1, the left side view being a mirror image thereof.

The broken lines depict portions of the article that form no part of the claimed design.

**1 Claim, 4 Drawing Sheets**



(56)

**References Cited**

U.S. PATENT DOCUMENTS

D693,127 S *	11/2013	Xi	.....	D4/107	2002/0124864 A1*	9/2002	Gross	.....	A46B 5/02 132/311
D697,719 S *	1/2014	Xi	.....	D4/104	2006/0207043 A1*	9/2006	Yamamoto	.....	A46B 5/00 15/143.1
D697,721 S *	1/2014	Xi	.....	D4/107	2008/0201881 A1*	8/2008	Dunn	.....	A01K 15/026 15/106
8,707,500 B2	4/2014	Nanda			2010/0050357 A1*	3/2010	Misner	.....	A46B 15/0002 15/167.1
D706,541 S *	6/2014	Blachford	.....	D4/108	2011/0146015 A1*	6/2011	Moskovich	.....	A46B 5/02 15/167.1
8,739,351 B2*	6/2014	Kling	.....	A46B 5/0054 15/167.1	2014/0123420 A1*	5/2014	Nanda	.....	A46B 9/04 15/105
D710,111 S *	8/2014	Ding	.....	D4/108	2014/0173839 A1*	6/2014	Henderson	.....	A46D 3/00 15/22.1
9,060,596 B2	6/2015	Nanda			2014/0173853 A1*	6/2014	Kirchhofer	.....	B29C 45/1642 16/430
9,084,473 B2	7/2015	Nanda							
D738,627 S *	9/2015	Xi	.....	D4/107					
2002/0100134 A1*	8/2002	Dunn	.....	A46B 5/00 15/167.1					

\* cited by examiner

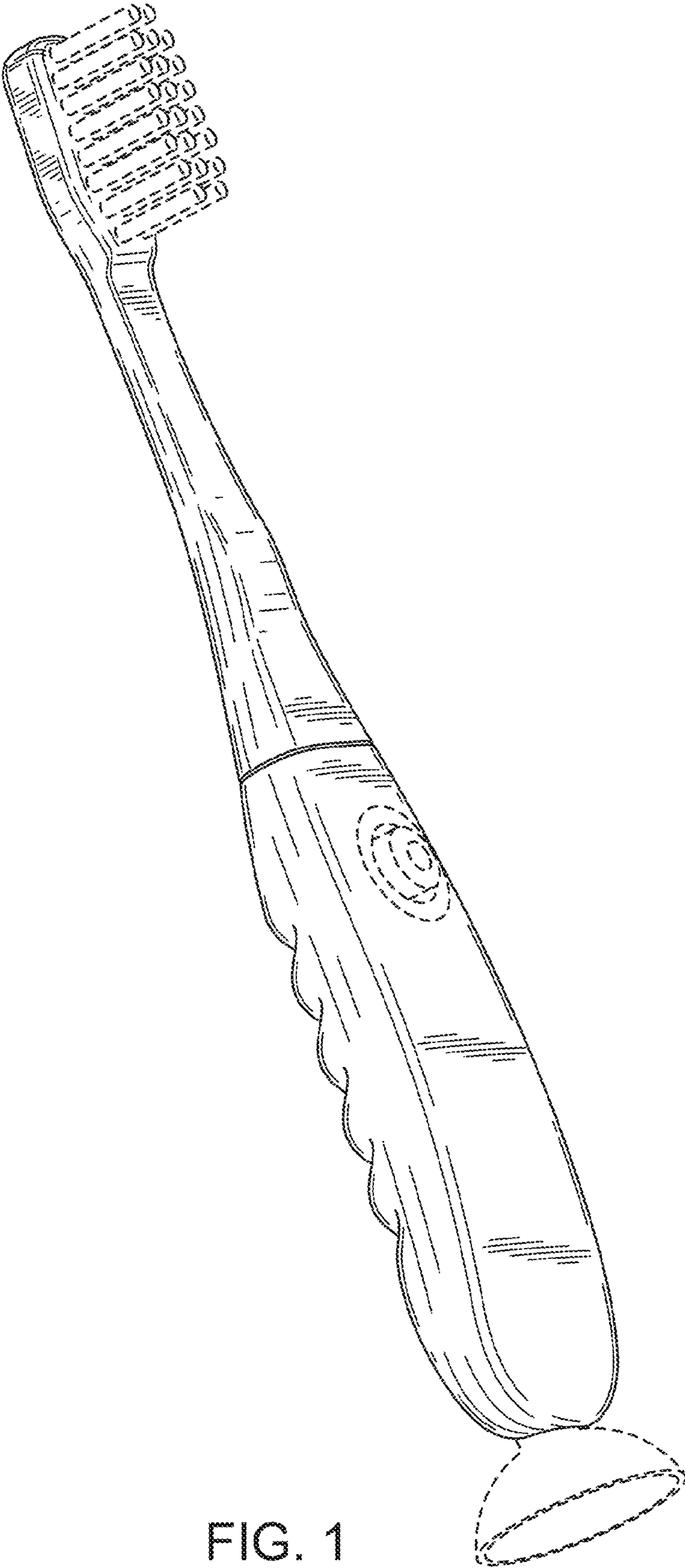


FIG. 1

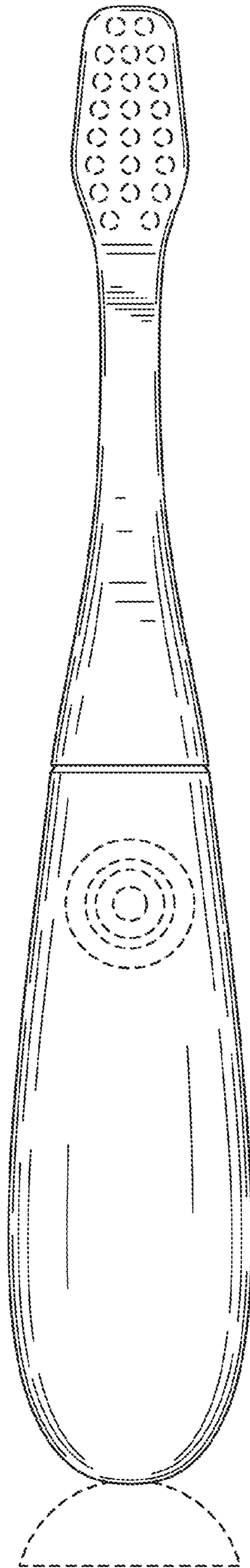


FIG. 2

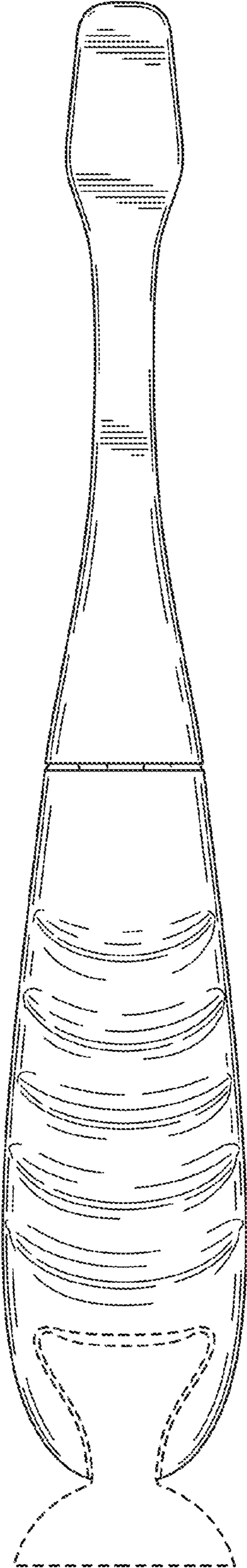


FIG. 3

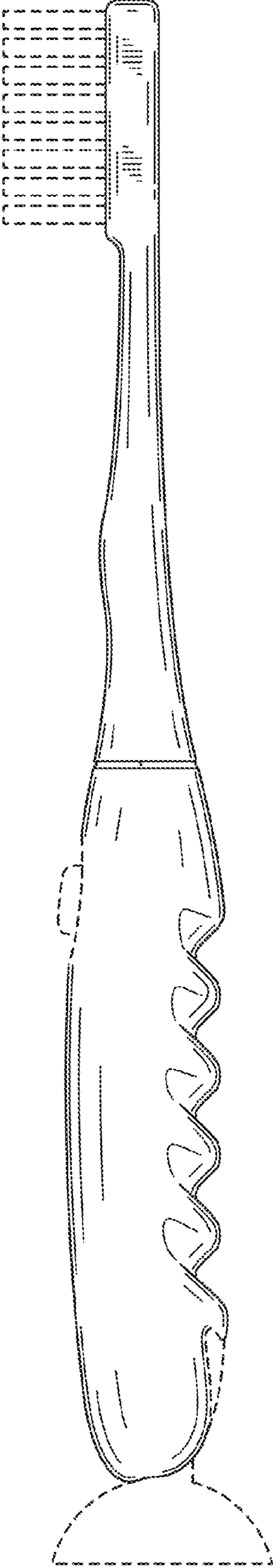


FIG. 4