



US00D766582S

(12) **United States Design Patent**
Metter

(10) **Patent No.:** **US D766,582 S**

(45) **Date of Patent:** **** Sep. 20, 2016**

(54) **TOOTHBRUSH**

(71) Applicant: **TWINKLERS LTD.**, London (GB)

(72) Inventor: **Jeremy Metter**, London (GB)

(73) Assignee: **TWINKLERS LTD.**, London (GB)

(**) Term: **15 Years**

(21) Appl. No.: **29/536,632**

(22) Filed: **Aug. 18, 2015**

(30) **Foreign Application Priority Data**

Mar. 6, 2015 (EM) 002647982

(51) **LOC (10) Cl.** **04-02**

(52) **U.S. Cl.**
USPC **D4/101; D4/104**

(58) **Field of Classification Search**
USPC D4/101, 104–112, 132–134;
132/308–311; 15/22.1, 105, 106,
15/143.1, 167.1; 433/216
CPC A45D 44/18; A46B 15/0071; A46B
2200/1066; A46B 5/02; A47K 1/09; A61C
19/066

See application file for complete search history.

(56) **References Cited**

U.S. PATENT DOCUMENTS

- D272,583 S * 2/1984 McAlpine D4/108
- D375,205 S * 11/1996 Lewkowicz D4/104
- D407,560 S * 4/1999 Huang D4/104
- D410,787 S * 6/1999 Barre D4/104
- 6,234,798 B1 * 5/2001 Beals A46B 5/02
15/143.1
- 6,318,685 B1 * 11/2001 Huber A46B 5/00
248/205.5
- D458,757 S * 6/2002 Dunn D4/104
- D475,530 S * 6/2003 Dunn D4/104
- D483,568 S * 12/2003 Jamson D4/104
- D487,195 S * 3/2004 Winkler D4/104

- D490,247 S * 5/2004 Nanda D4/104
- D498,362 S * 11/2004 Xi D4/107
- D499,885 S * 12/2004 Xi D4/107
- D505,264 S * 5/2005 Chen D4/104
- D531,415 S * 11/2006 Won D4/104
- 7,240,390 B2 * 7/2007 Pfenniger A46B 5/0062
15/105
- D558,980 S * 1/2008 Jimenez D4/106
- D565,844 S * 4/2008 Wong D4/107
- D640,469 S * 6/2011 Nanda D4/112
- D648,134 S * 11/2011 Nanda D4/112
- D651,407 S * 1/2012 Jin D4/104
- D652,627 S * 1/2012 Nanda D4/104
- 8,141,563 B2 * 3/2012 De Masi, Sr. A46B 15/0055
132/309
- D658,885 S * 5/2012 Pereira D4/104
- D661,098 S * 6/2012 Nanda D4/101
- D661,100 S * 6/2012 Nanda D4/104
- D667,223 S * 9/2012 Ding D4/108
- D674,195 S * 1/2013 Nanda D4/108
- 8,382,208 B2 * 2/2013 Baertschi A46B 5/0025
15/143.1
- D683,966 S * 6/2013 Lee D4/101
- D687,228 S * 8/2013 Wong D4/108
- 8,561,244 B2 10/2013 Nanda

(Continued)

Primary Examiner — John Windmuller

Assistant Examiner — Steven Czyz

(74) *Attorney, Agent, or Firm* — Loeb & Loeb LLP

(57) **CLAIM**

The ornamental design for a toothbrush, as shown and described.

DESCRIPTION

FIG. 1 is a perspective view of a toothbrush showing my new design;

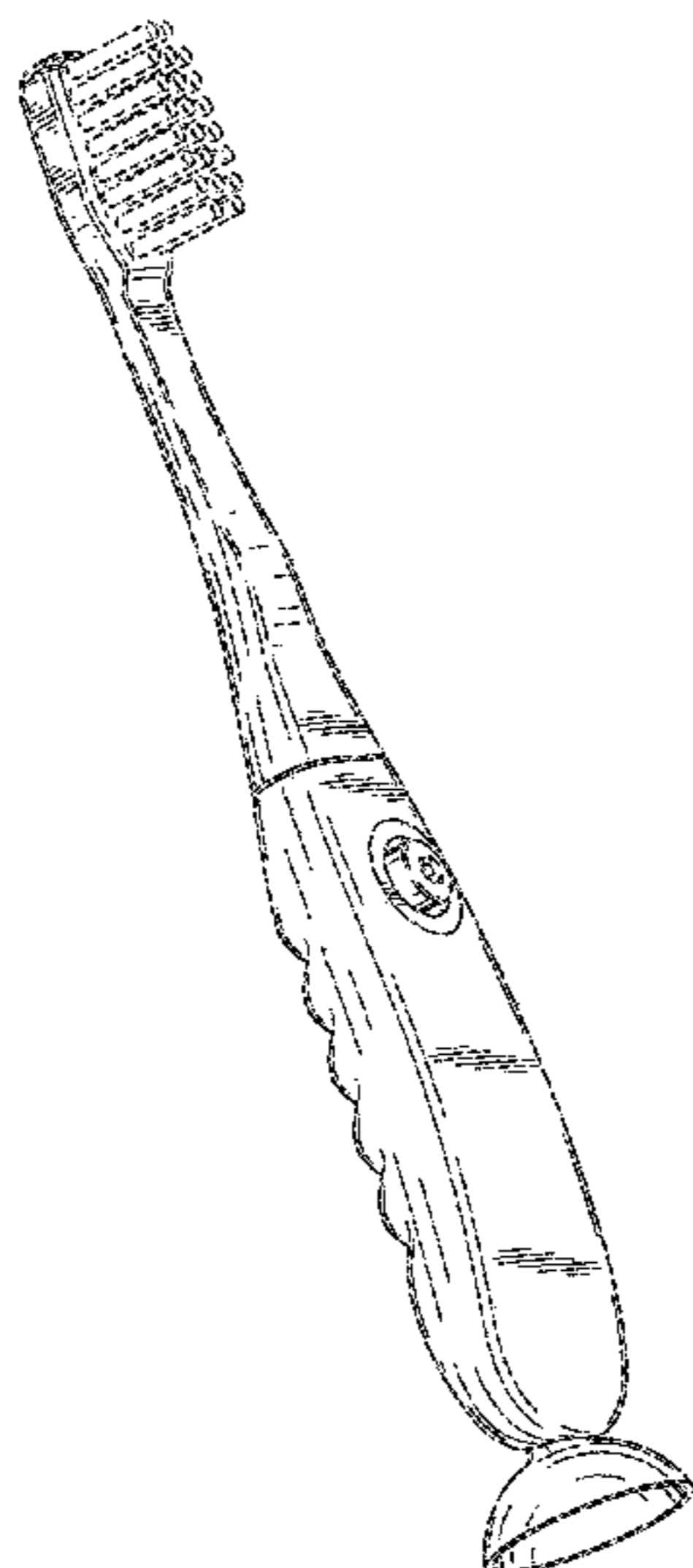
FIG. 2 is a front view of the toothbrush of FIG. 1;

FIG. 3 is a back view of the toothbrush of FIG. 1; and,

FIG. 4 is a right side view of the toothbrush of FIG. 1, and the left side view being a mirror image thereof.

The broken lines depict portions of the toothbrush that form no part of the claimed design.

1 Claim, 4 Drawing Sheets



(56)

References Cited

U.S. PATENT DOCUMENTS

D693,127 S *	11/2013	Xi	D4/107	2002/0124864 A1*	9/2002	Gross	A46B 5/02 132/311
D697,719 S *	1/2014	Xi	D4/104	2006/0207043 A1*	9/2006	Yamamoto	A46B 5/00 15/143.1
D697,721 S *	1/2014	Xi	D4/107	2008/0201881 A1*	8/2008	Dunn	A01K 15/026 15/106
8,707,500 B2	4/2014	Nanda			2010/0050357 A1*	3/2010	Misner	A46B 15/0002 15/167.1
D706,541 S *	6/2014	Blachford	D4/108	2011/0146015 A1*	6/2011	Moskovich	A46B 5/02 15/167.1
8,739,351 B2*	6/2014	Kling	A46B 5/0054 15/167.1	2014/0123420 A1*	5/2014	Nanda	A46B 9/04 15/105
D710,111 S *	8/2014	Ding	D4/108	2014/0173839 A1*	6/2014	Henderson	A46D 3/00 15/22.1
9,060,596 B2	6/2015	Nanda			2014/0173853 A1*	6/2014	Kirchhofer	B29C 45/1642 16/430
9,084,473 B2	7/2015	Nanda							
D738,627 S *	9/2015	Xi	D4/107					
2002/0100134 A1*	8/2002	Dunn	A46B 5/00 15/167.1					

* cited by examiner

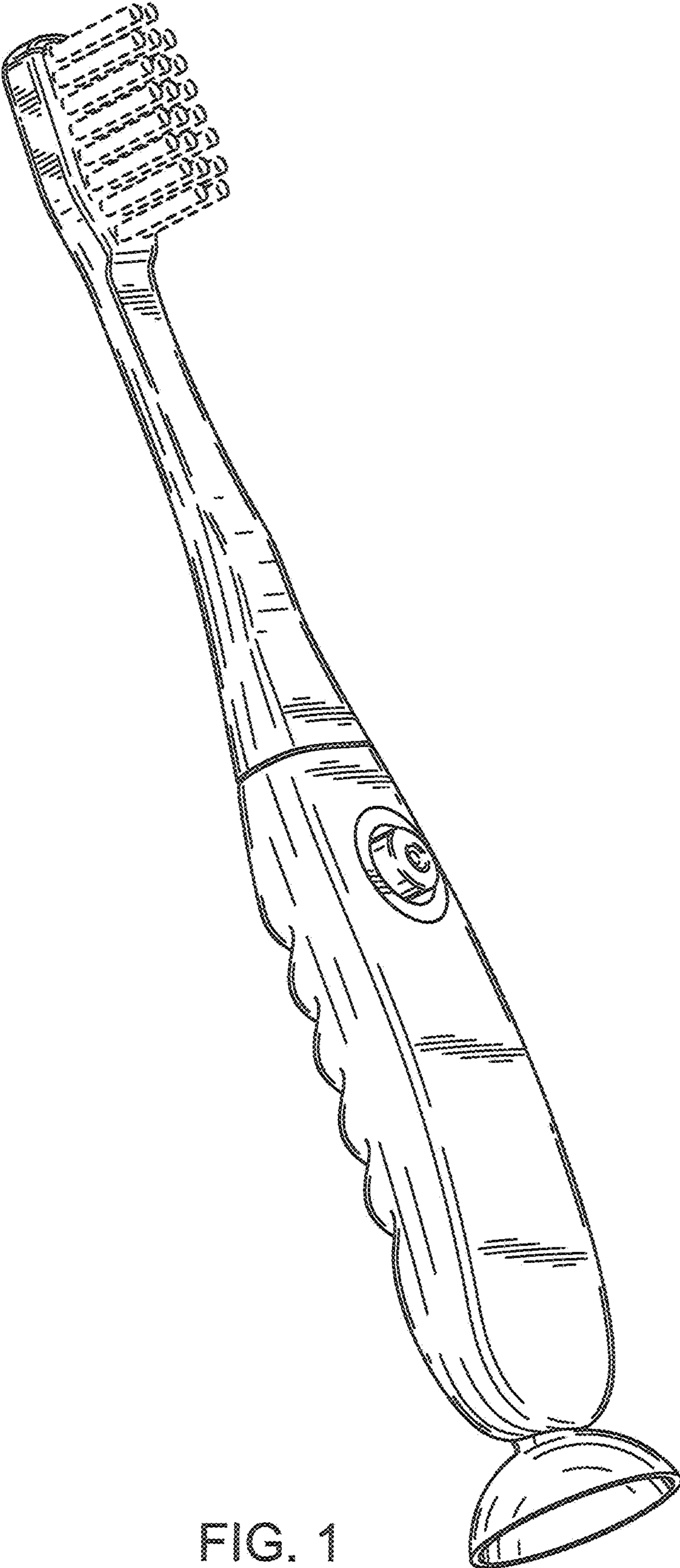


FIG. 1

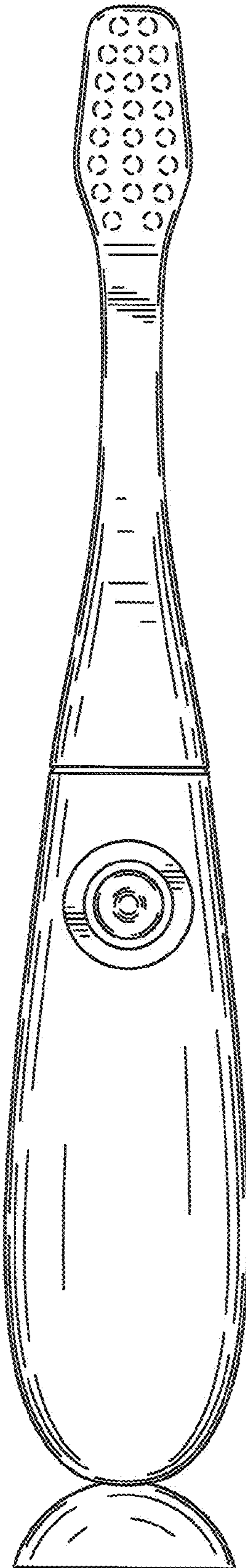


FIG. 2

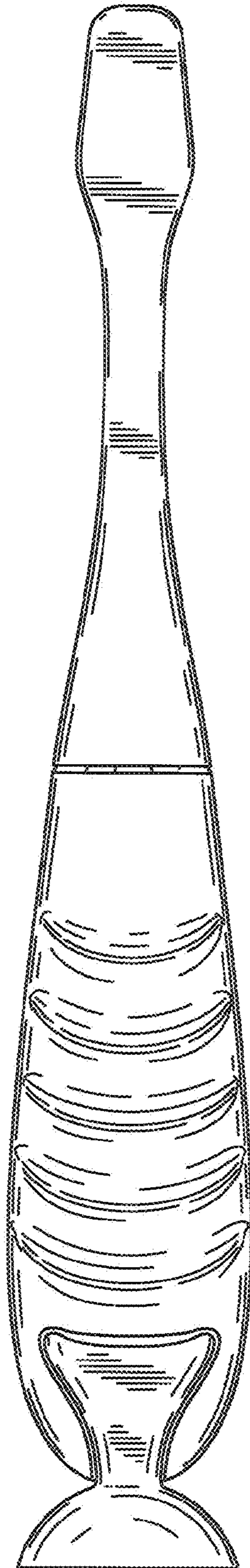


FIG. 3

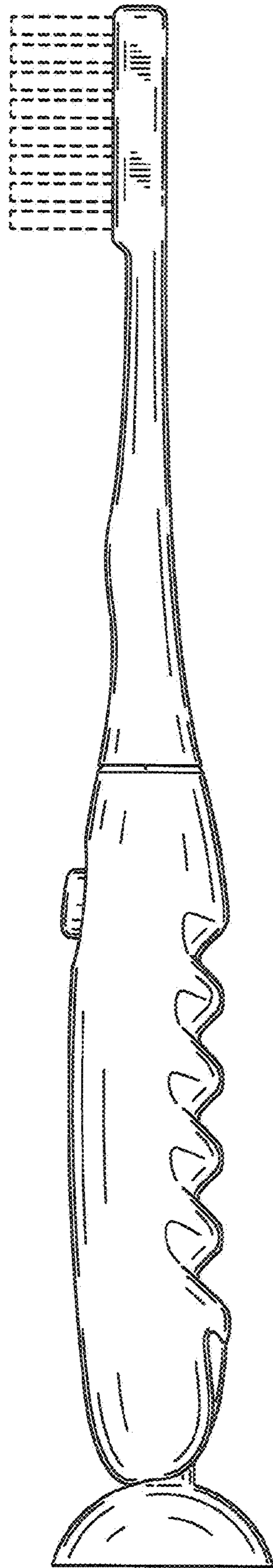


FIG. 4