



US00D766578S

(12) **United States Design Patent**
Slimane

(10) **Patent No.:** **US D766,578 S**

(45) **Date of Patent:** **** Sep. 20, 2016**

(54) **PYRAMID NAIL**

D429,262 S * 8/2000 Streich D15/140
D497,052 S * 10/2004 Nykoluk D3/322
D513,880 S * 1/2006 Domotor D3/318

(71) Applicant: **YVES SAINT LAURENT**, Paris (FR)

* cited by examiner

(72) Inventor: **Hedi Slimane**, City of West
Hollywood, CA (US)

Primary Examiner — Holly Baynham

(73) Assignee: **YVES SAINT LAURENT**, Paris (FR)

(74) *Attorney, Agent, or Firm* — Donald J. Ranft; Kristen A.
Mogavero; Collen IP

(**) Term: **14 Years**

(21) Appl. No.: **29/503,103**

(22) Filed: **Sep. 23, 2014**

(51) **LOC (10) Cl.** **03-01**

(52) **U.S. Cl.**

USPC **D3/322**

(58) **Field of Classification Search**

USPC D3/318, 322
CPC A45C 1/02; A45C 1/04; A45C 11/00;
A45C 11/04; A45C 11/008; A45C 13/08;
A45C 13/02; A45C 13/06; A45C 13/26;
A45C 13/28

See application file for complete search history.

(56) **References Cited**

U.S. PATENT DOCUMENTS

D168,734 S * 2/1953 Coblenz D11/75
D387,072 S * 12/1997 Ojanen D15/139

(57) **CLAIM**

The ornamental design for a pyramid nail, as shown.

DESCRIPTION

FIG. 1 is a top perspective view of a pyramid nail showing
my new design;

FIG. 2 is a bottom perspective view thereof;

FIG. 3 is a top view thereof;

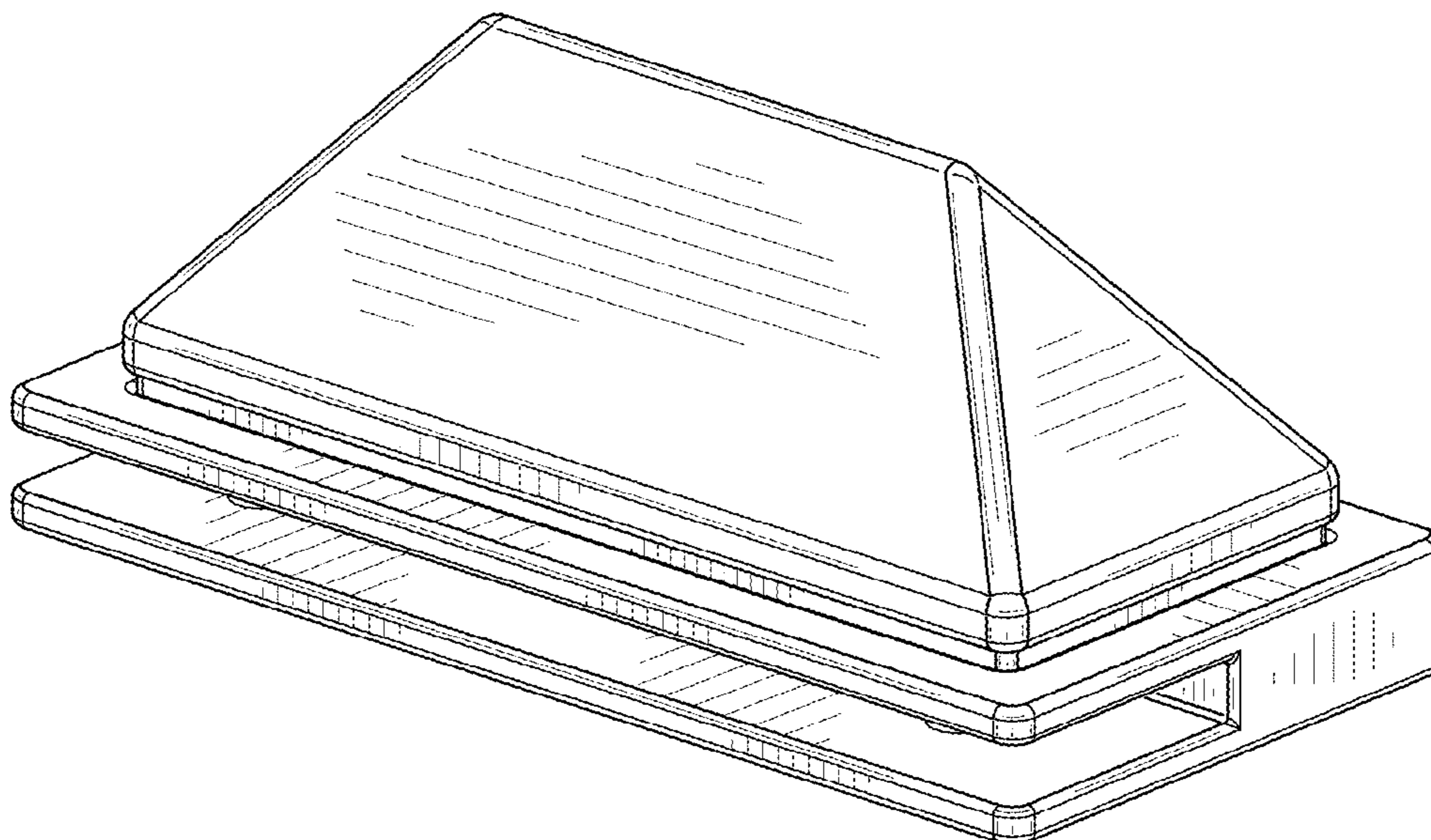
FIG. 4 is a bottom view thereof;

FIG. 5 is a left side view thereof;

FIG. 6 is a front view thereof; and,

FIG. 7 is a rear view thereof.

1 Claim, 3 Drawing Sheets



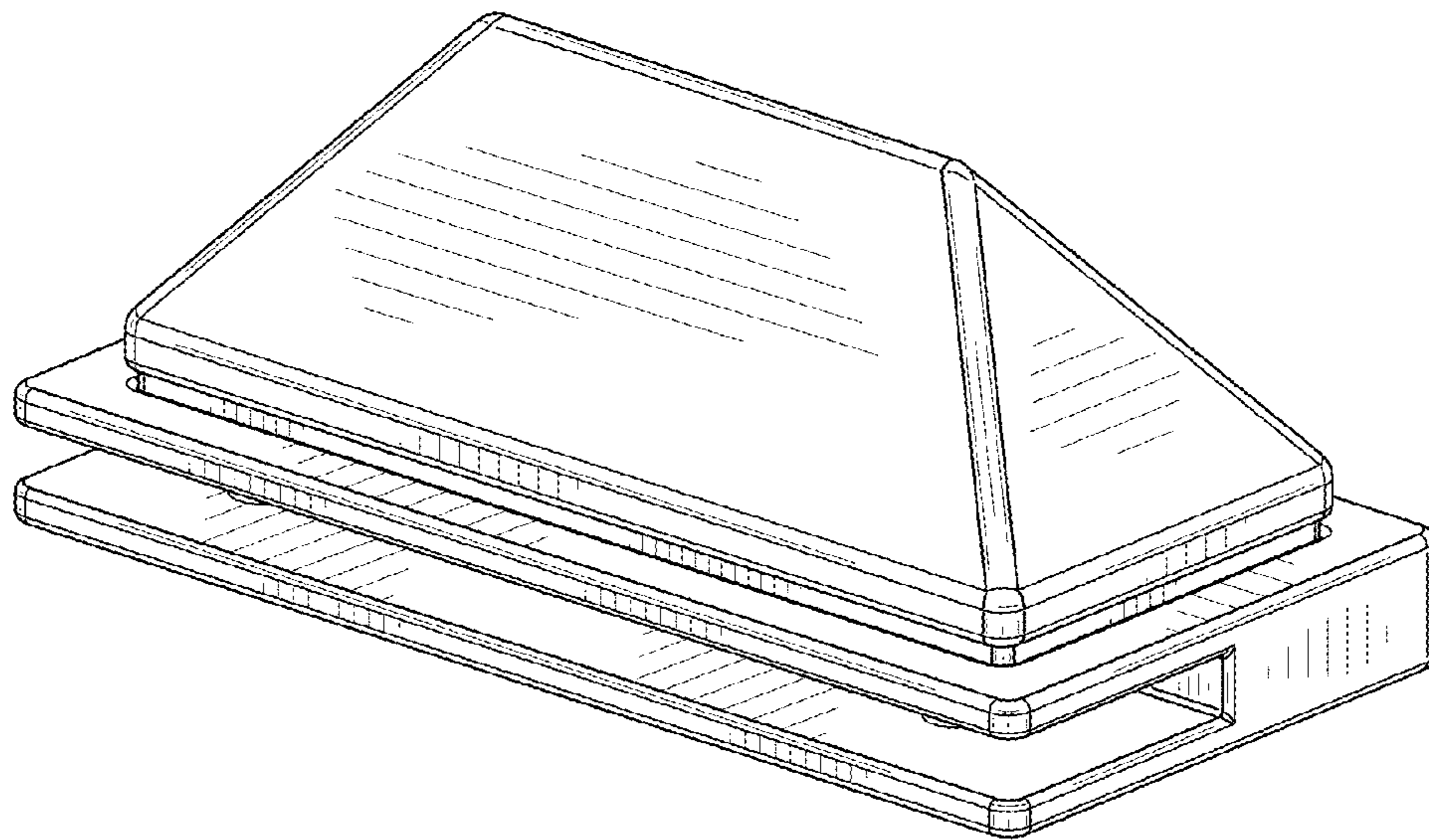


FIG. 1

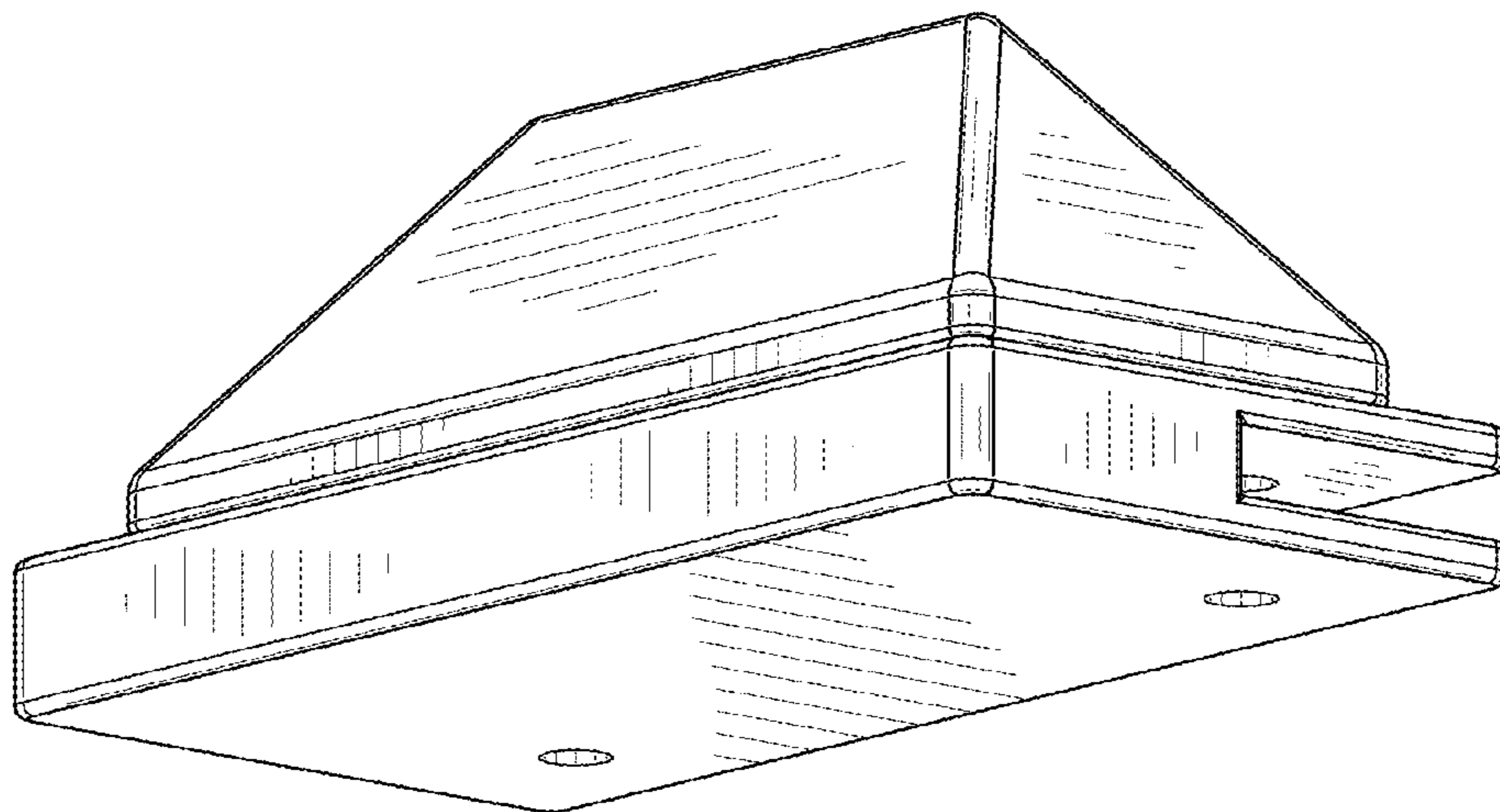


FIG. 2

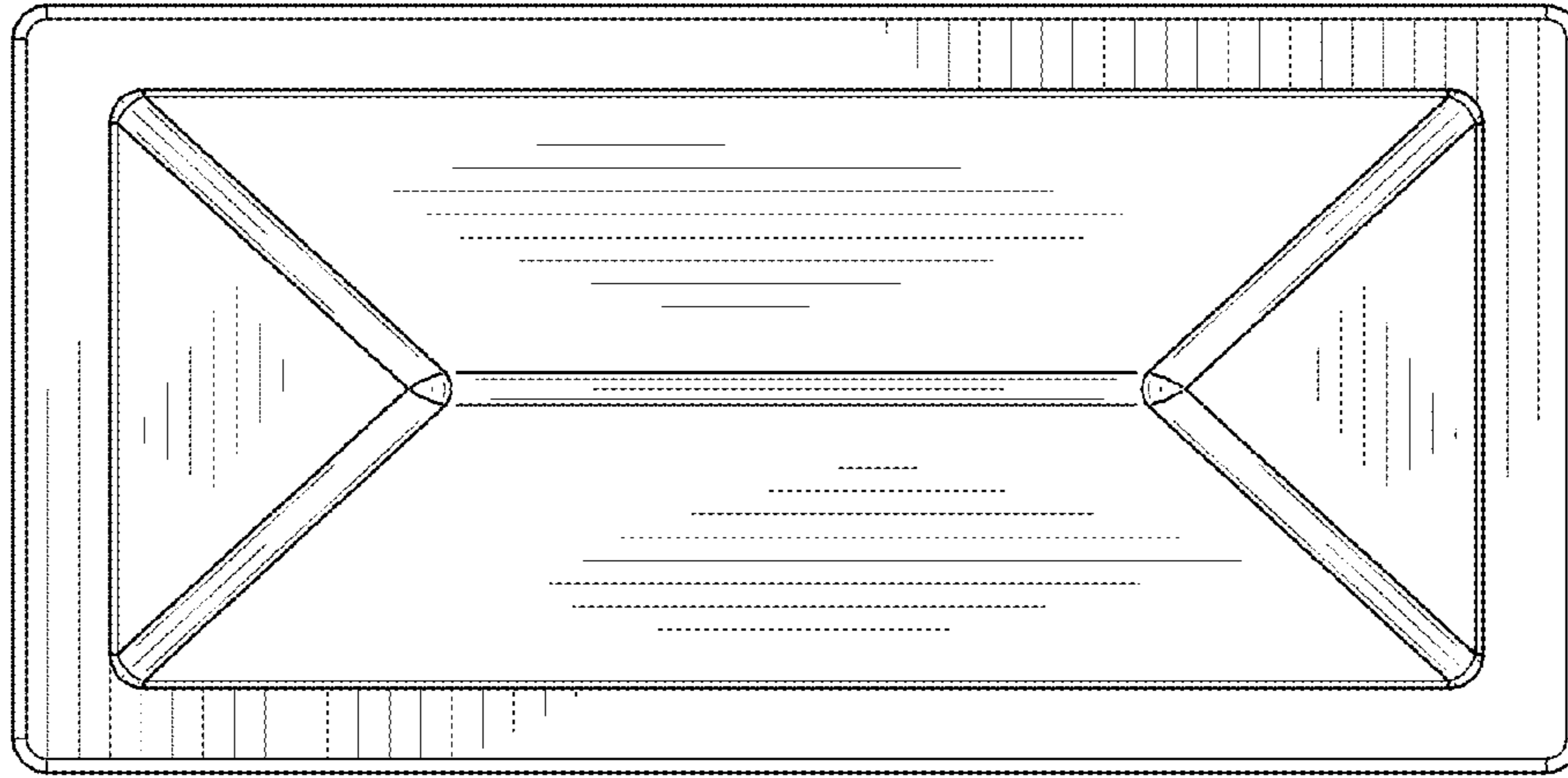


FIG. 3

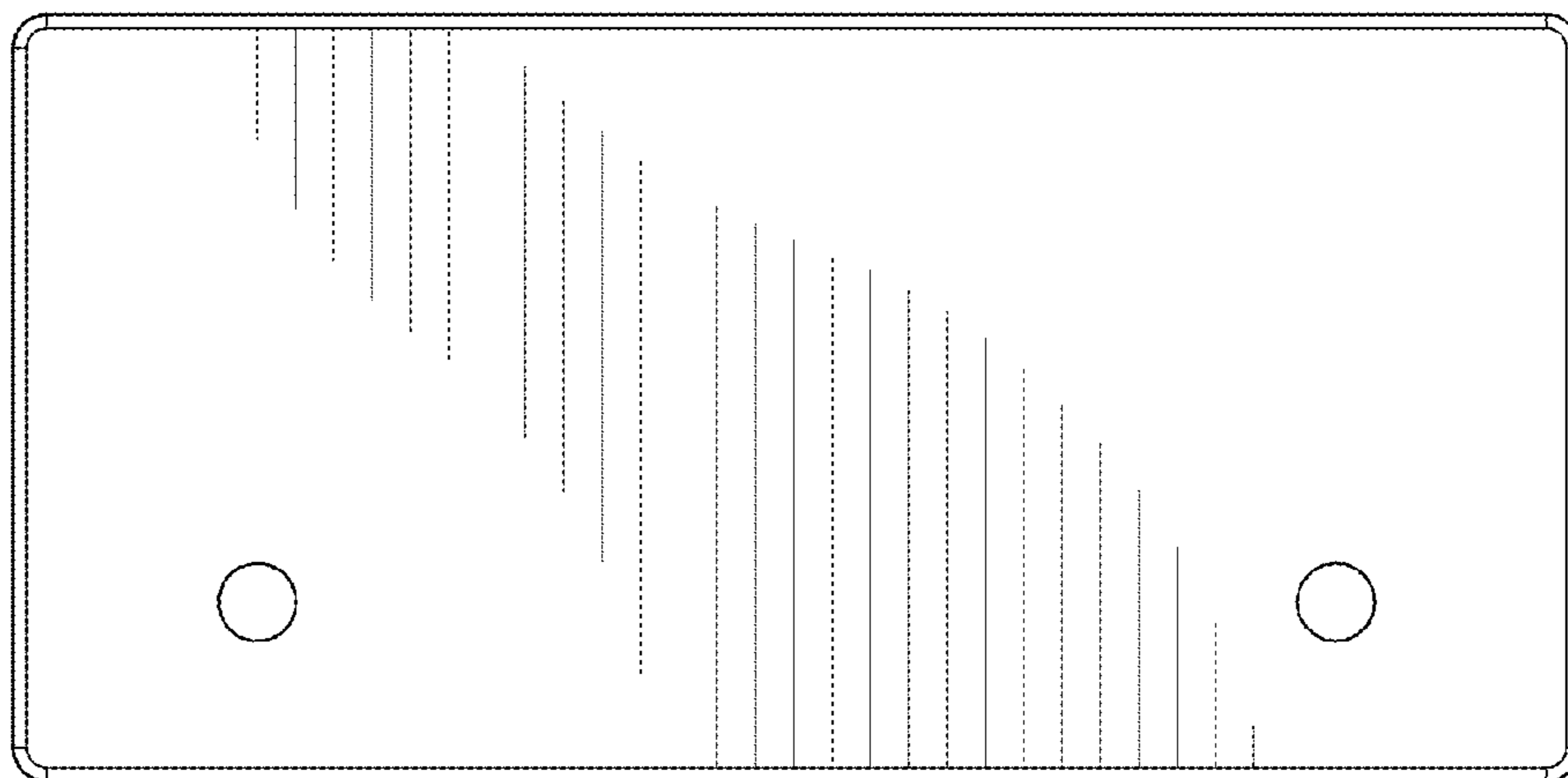


FIG. 4

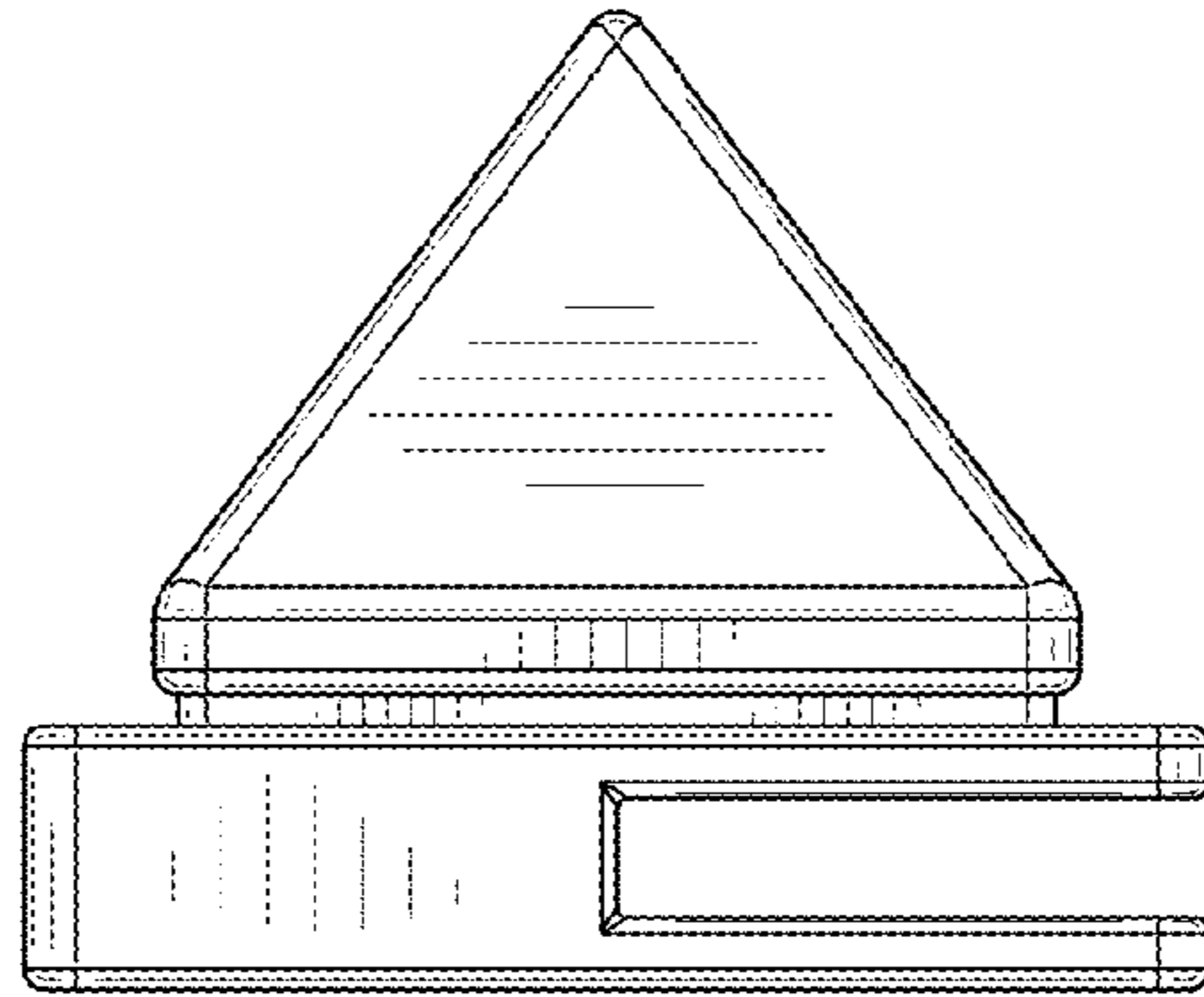


FIG. 5

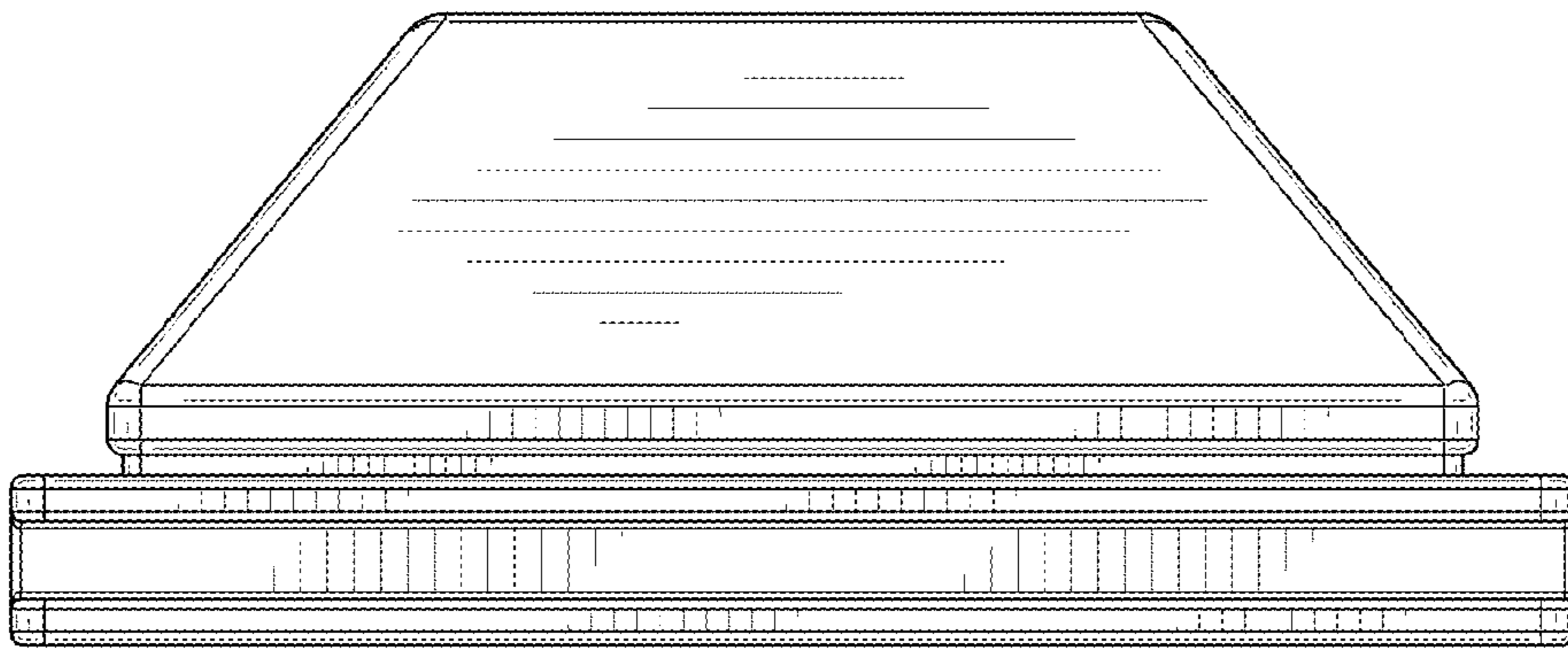


FIG. 6

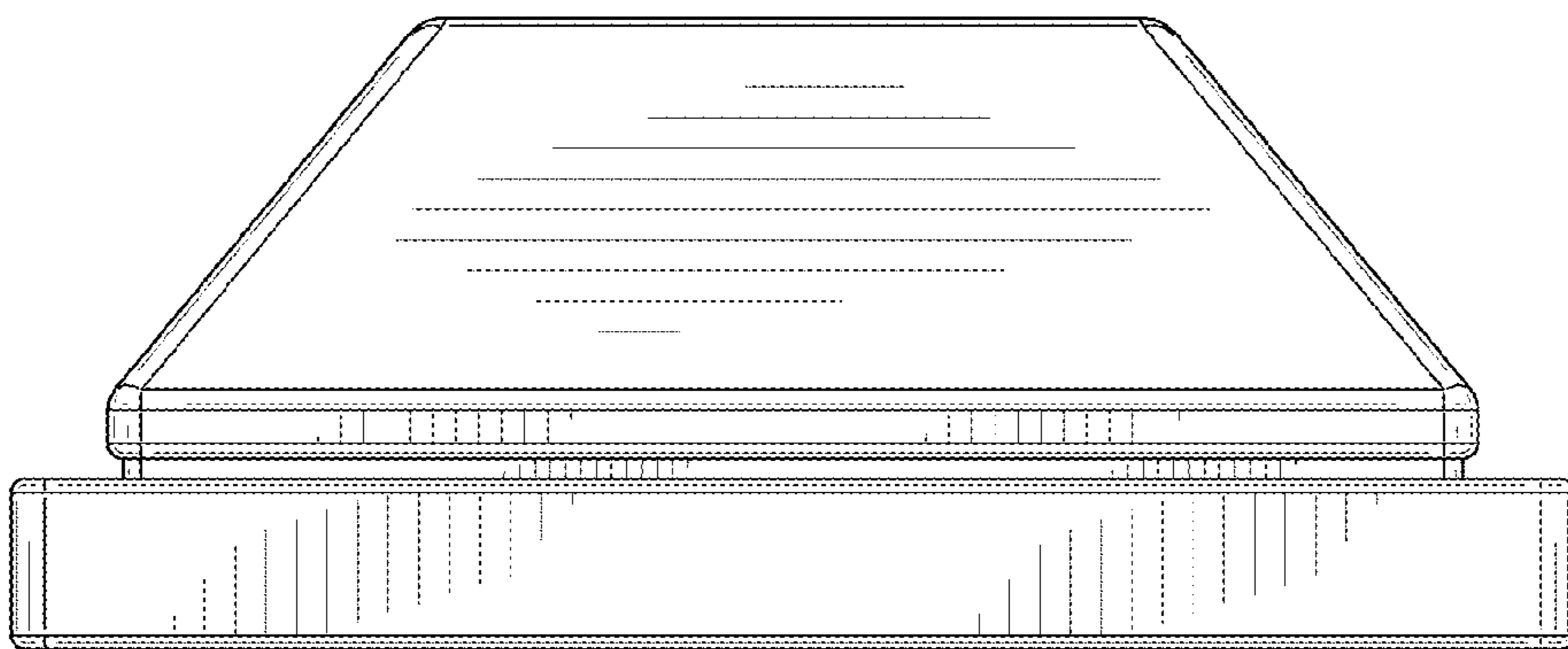


FIG. 7