

US00D766576S

(12) **United States Design Patent** (10) **Patent No.:** **US D766,576 S**
Hantman (45) **Date of Patent:** **** Sep. 20, 2016**

(54) **PROTECTIVE COVER FOR HANDBAGS, SUITCASES AND OTHER CONTAINERS WITH HANDLES**

(71) Applicant: **The Gussy, LLC**, Upper Marlboro, MD (US)

(72) Inventor: **Jamie E. Hantman**, Upper Marlboro, MD (US)

(73) Assignee: **THE GUSSY, LLC**, Upper Marlboro, MD (US)

(**) Term: **14 Years**

(21) Appl. No.: **29/490,100**

(22) Filed: **May 6, 2014**

(51) **LOC (10) Cl.** **03-01**

(52) **U.S. Cl.**
USPC **D3/318**

(58) **Field of Classification Search**
USPC D3/318
CPC A45C 13/08
See application file for complete search history.

(56) **References Cited**

U.S. PATENT DOCUMENTS

2,647,595 A	8/1953	Meyers
3,349,992 A	10/1967	Skinner
4,026,339 A	5/1977	Burke
5,172,795 A	12/1992	Riceman
D513,879 S	1/2006	Waples

(Continued)

OTHER PUBLICATIONS

US, Non-Final Office Action, U.S. Appl. No. 14/271,296, Jun. 15, 2015.

Primary Examiner — Holly Baynham

(74) *Attorney, Agent, or Firm* — Orrick, Herrington & Sutcliffe LLP

(57) **CLAIM**

The ornamental design for a protective cover for handbags, suitcases and other containers with handles, as shown and described.

DESCRIPTION

FIG. 1 is a perspective view illustrating an embodiment of my new and ornamental design for a protective cover for handbags, suitcases and other containers with handles, wherein an exterior surface of the protective cover presents decorative indicia;

FIG. 2 is a top view illustrating the new and ornamental design for the protective cover of FIG. 1;

FIG. 3 is a right-side view illustrating the new and ornamental design for the protective cover of FIG. 1;

FIG. 4 is a bottom view illustrating the new and ornamental design for the protective cover of FIG. 1;

FIG. 5 is a left-side view illustrating the new and ornamental design for the protective cover of FIG. 1;

FIG. 6 is a front view illustrating the new and ornamental design for the protective cover of FIG. 1;

FIG. 7 is a back view illustrating the new and ornamental design for the protective cover of FIG. 1;

FIG. 8 is a perspective view illustrating an alternative embodiment of the new and ornamental design for the protective cover of FIGS. 1-7, wherein the protective cover is deployed on a selected container with a handle, and wherein the selected container forms no part of the new and ornamental design;

FIG. 9 is a front view illustrating the new and ornamental design for the protective cover of FIG. 8;

FIG. 10 is a left-side view illustrating the new and ornamental design for the protective cover of FIG. 8;

FIG. 11 is a top view illustrating the new and ornamental design for the protective cover of FIG. 8;

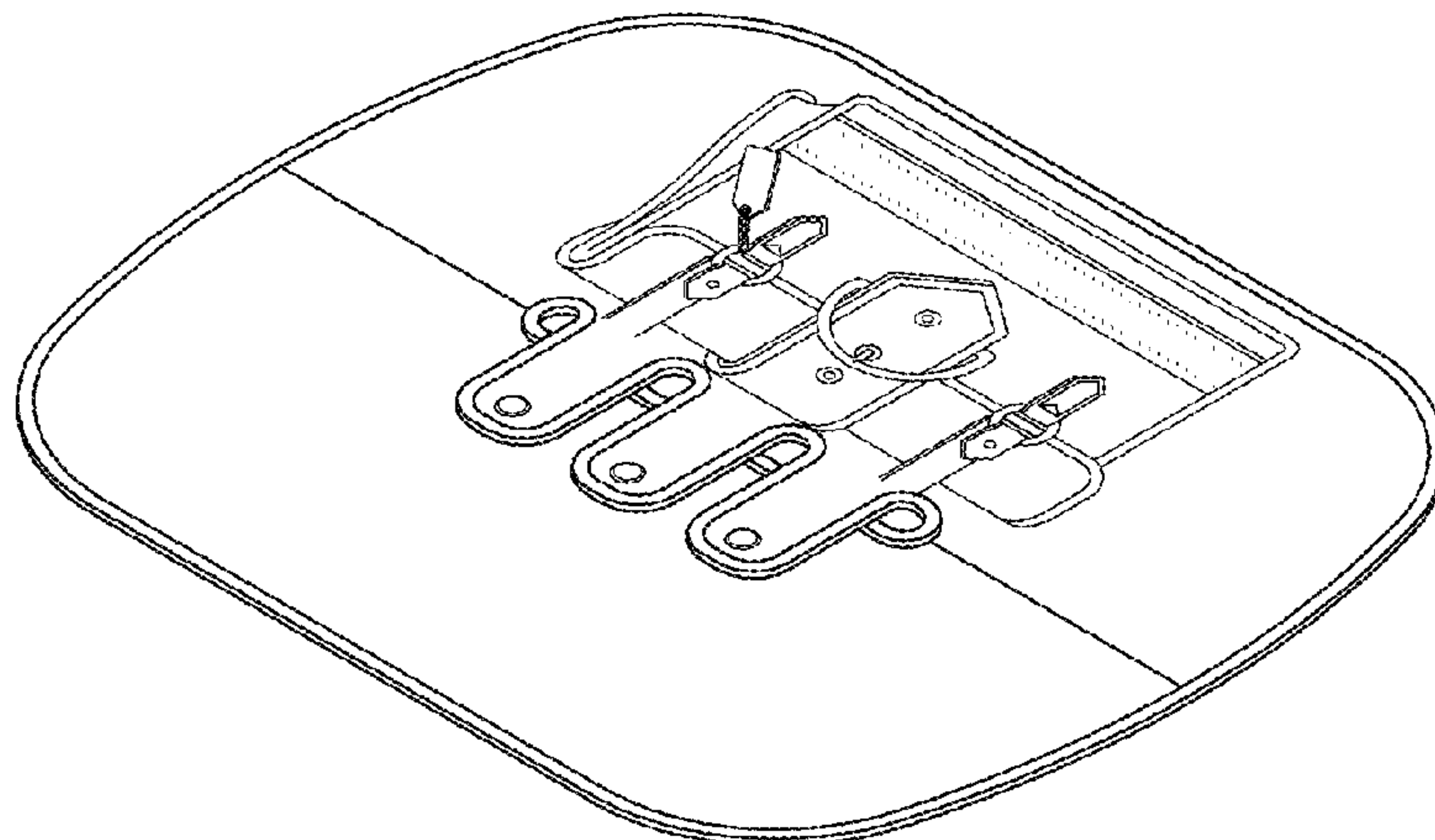
FIG. 12 is a bottom view illustrating the new and ornamental design for the protective cover of FIG. 8;

FIG. 13 is a back view illustrating the new and ornamental design for the protective cover of FIG. 8; and,

FIG. 14 is a right-side view illustrating the new and ornamental design for the protective cover of FIG. 8.

The broken lines showing a handbag are for the purposes of illustrating environment and forms no part of the claimed design.

1 Claim, 5 Drawing Sheets



(56)

References Cited

U.S. PATENT DOCUMENTS

7,117,991 B2 10/2006 Waring
D606,756 S * 12/2009 Johnson D3/318
7,789,114 B2 9/2010 Pace et al.
D640,871 S * 7/2011 Romero D3/318
D665,176 S * 8/2012 Platt D3/318

D667,635 S 9/2012 Sanchez
D705,541 S * 5/2014 Harris D3/318
2004/0206431 A1 10/2004 Metzsig et al.
2007/0204943 A1 9/2007 Beakey
2010/0282379 A1 11/2010 Piper
2012/0011691 A1 1/2012 Hasegawa
2012/0199594 A1 8/2012 Pernarella

* cited by examiner

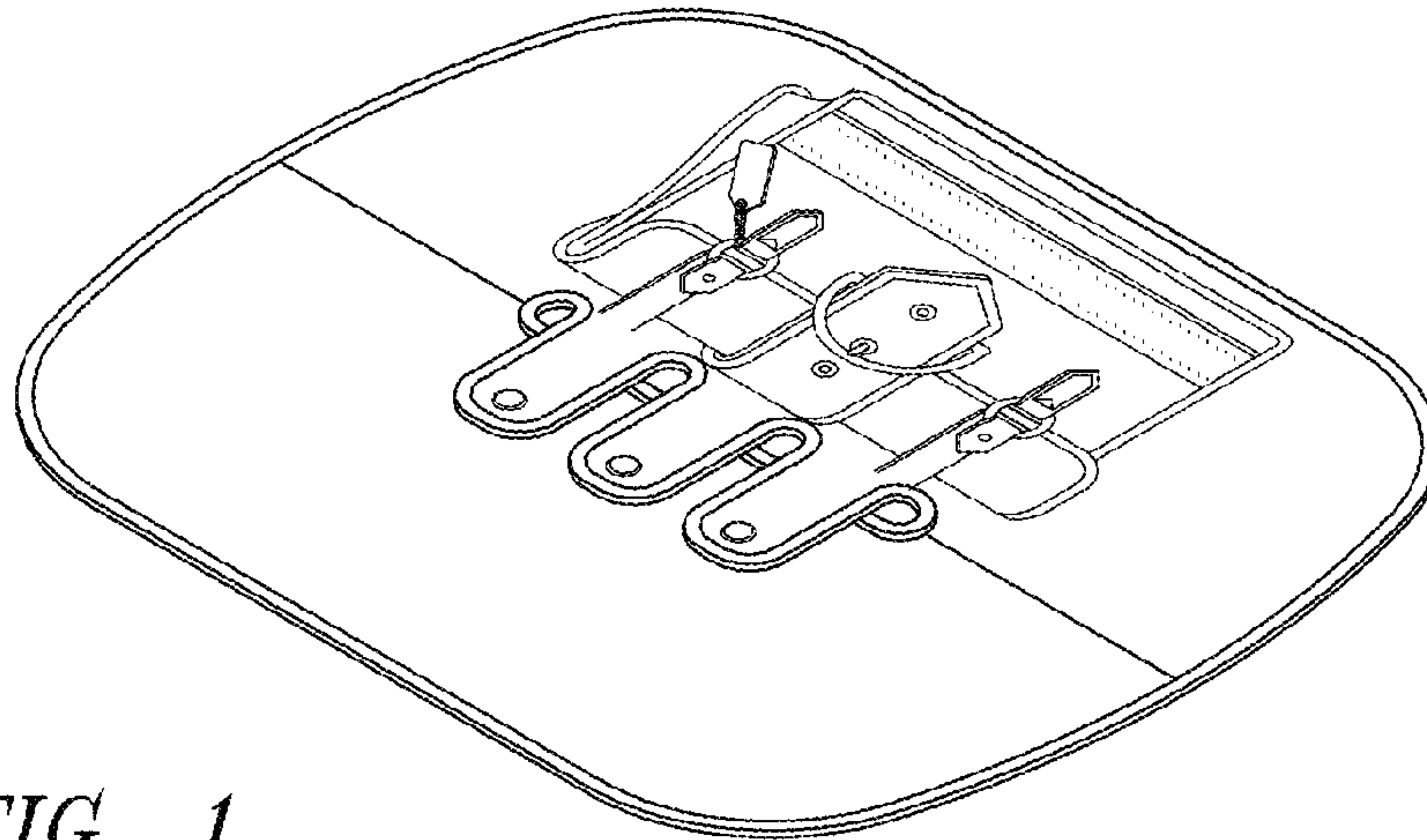


FIG. 1

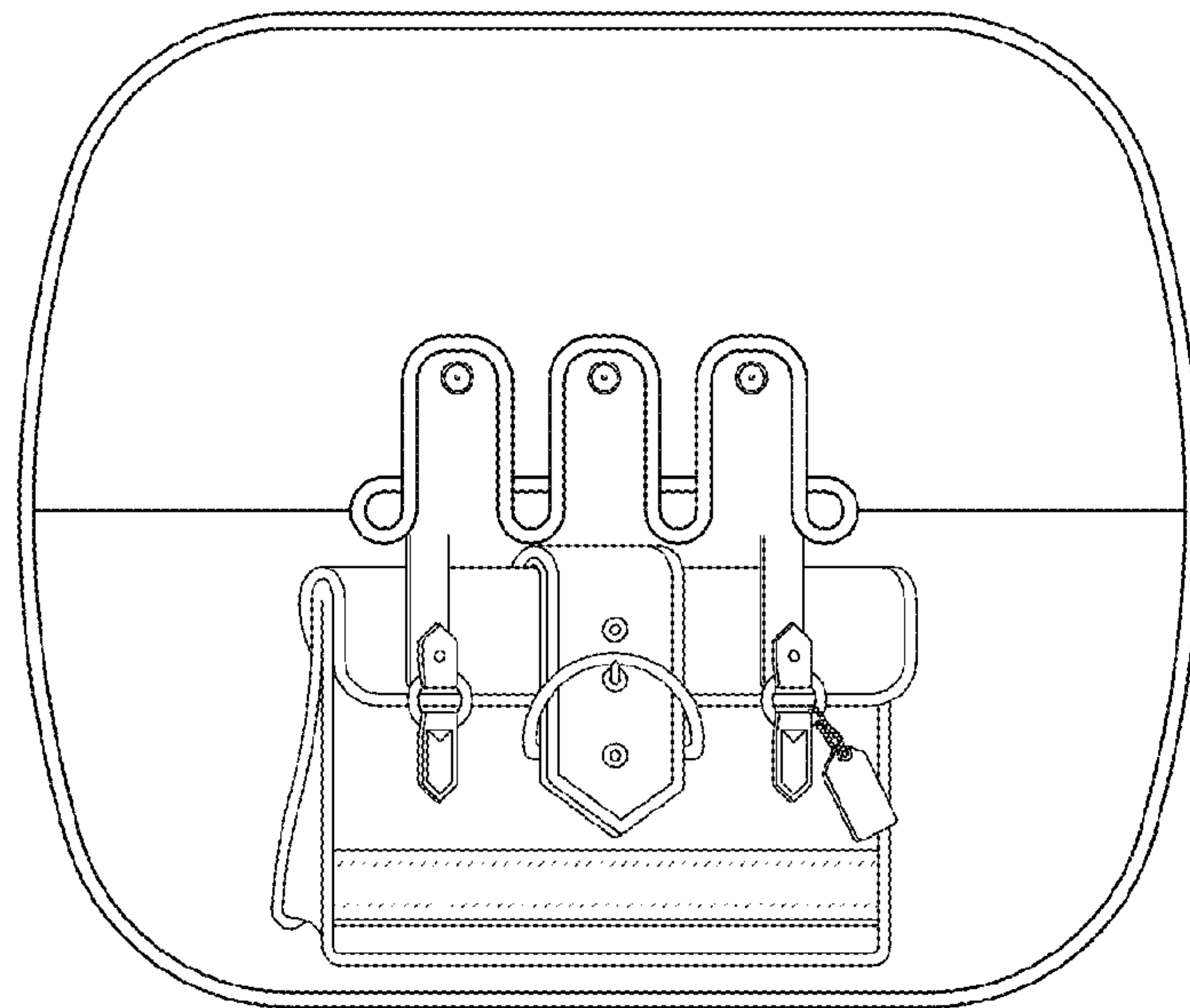


FIG. 2



FIG. 3

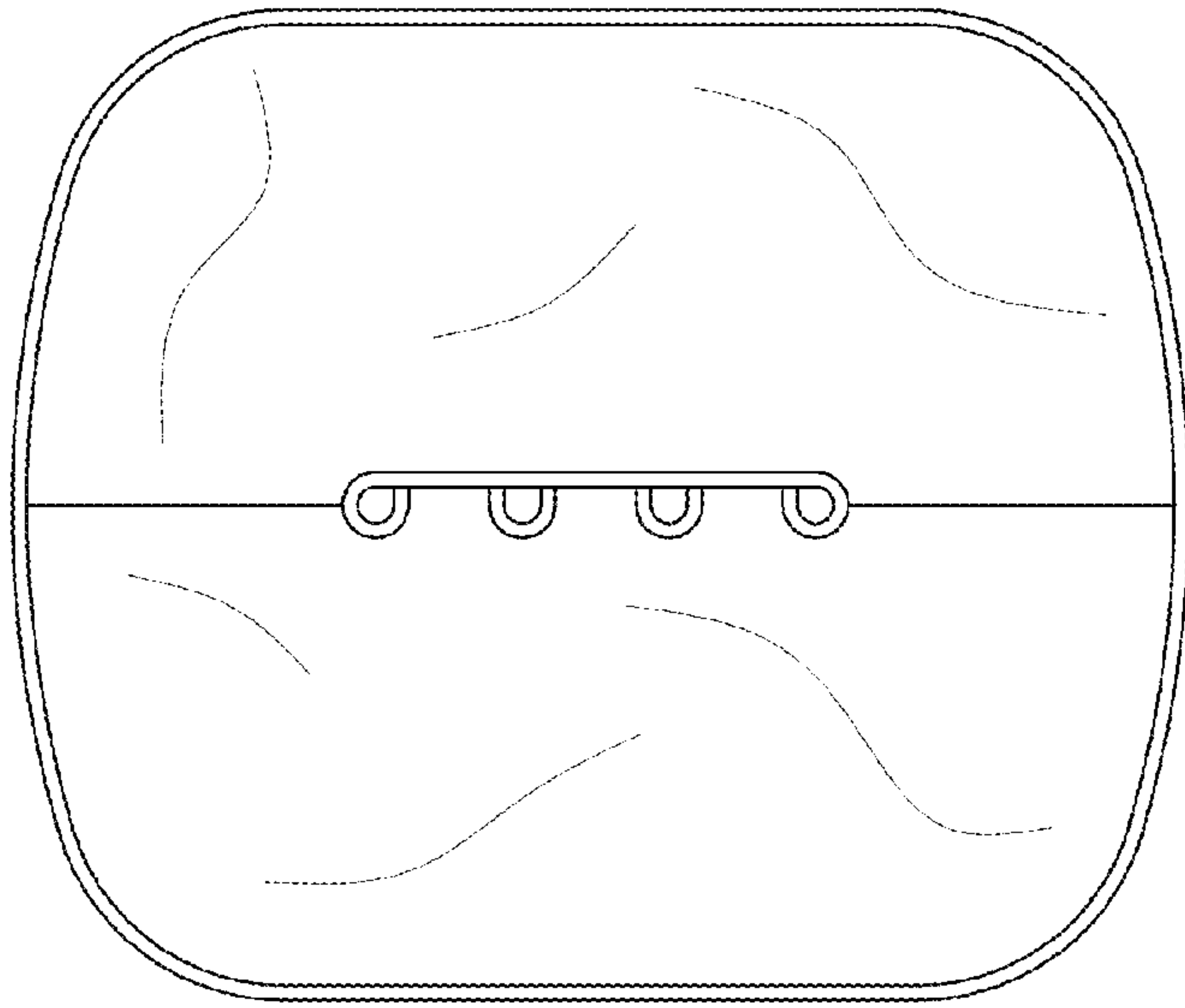


FIG. 4



FIG. 5



FIG. 6

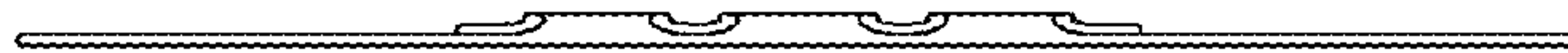


FIG. 7

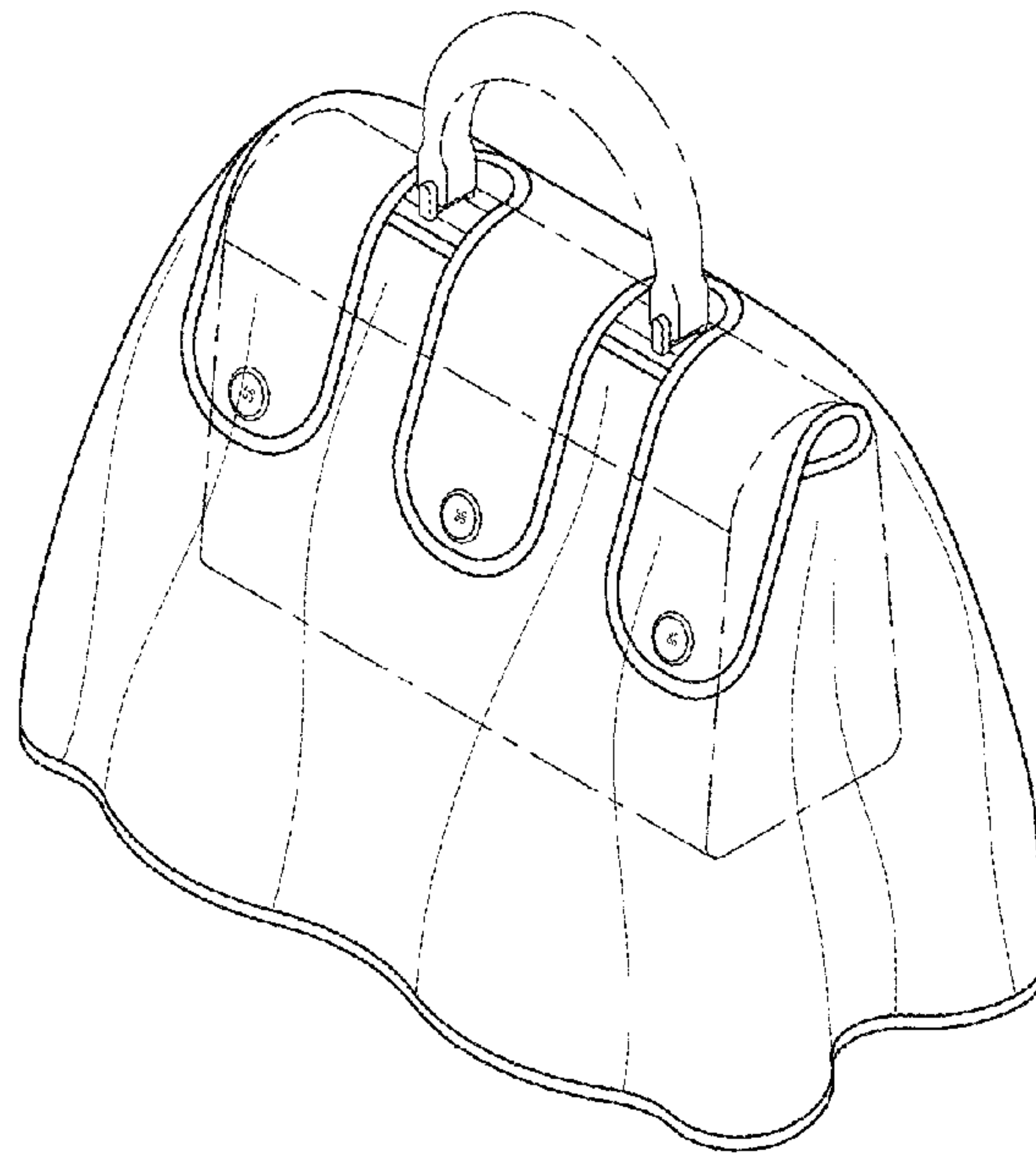


FIG. 8

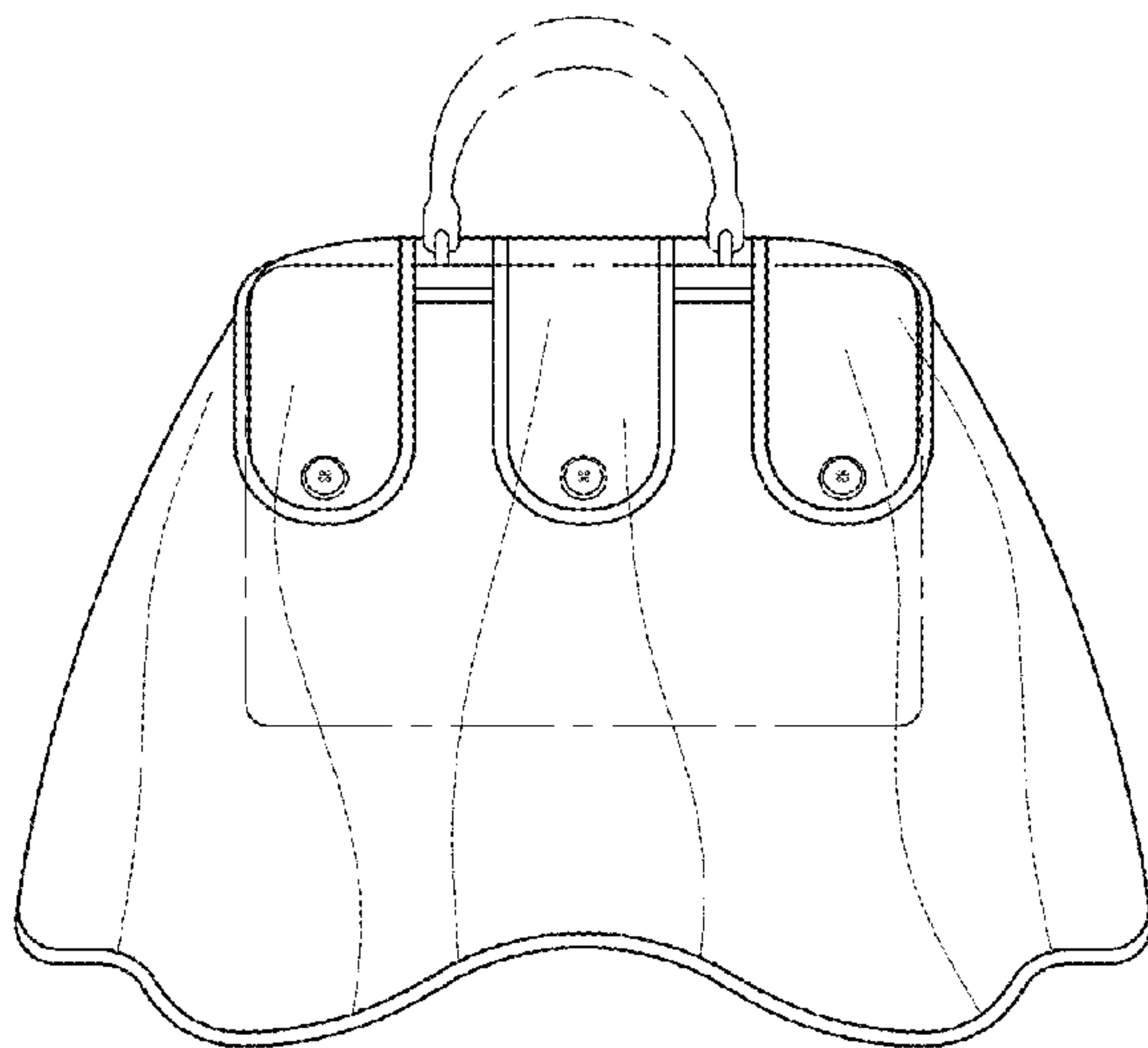


FIG. 9

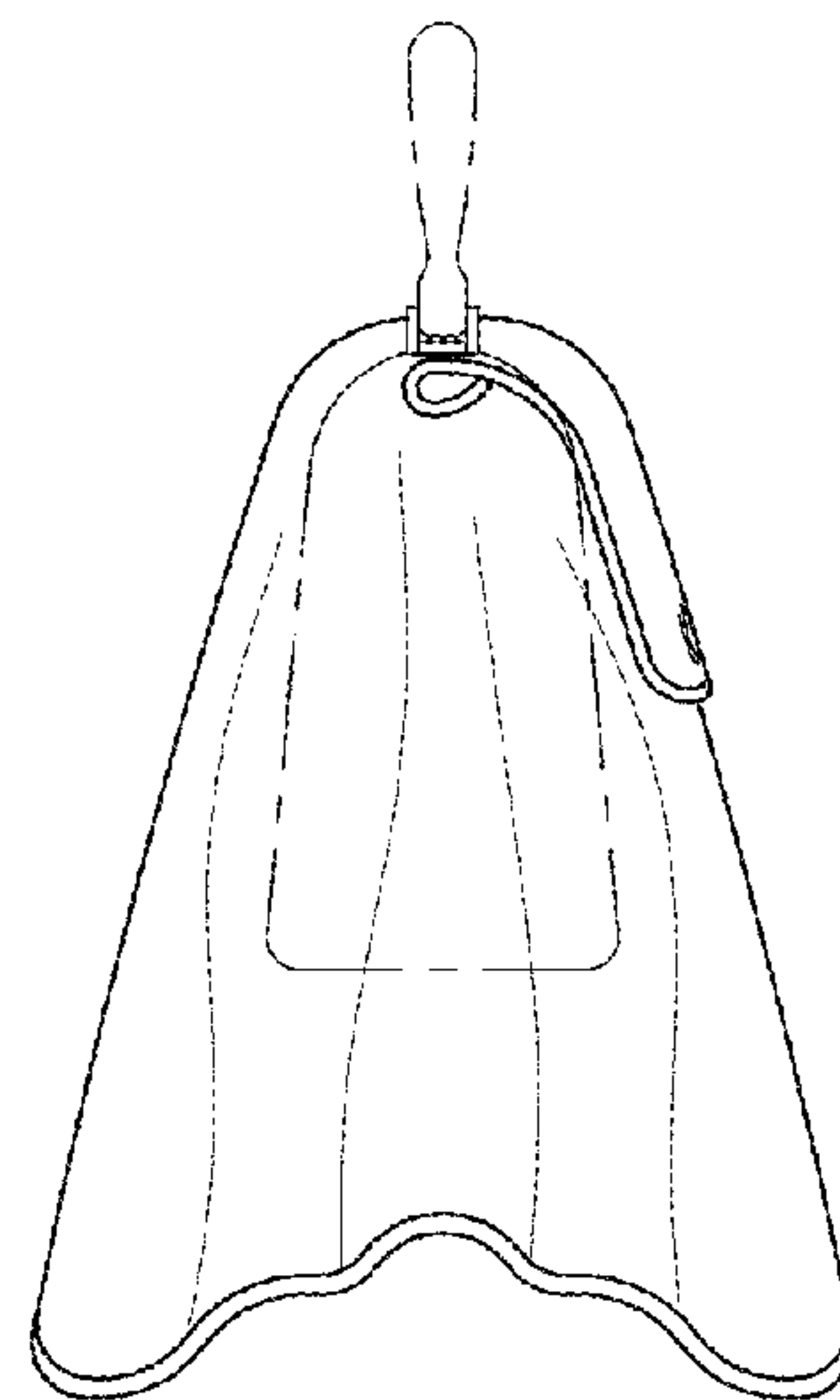


FIG. 10

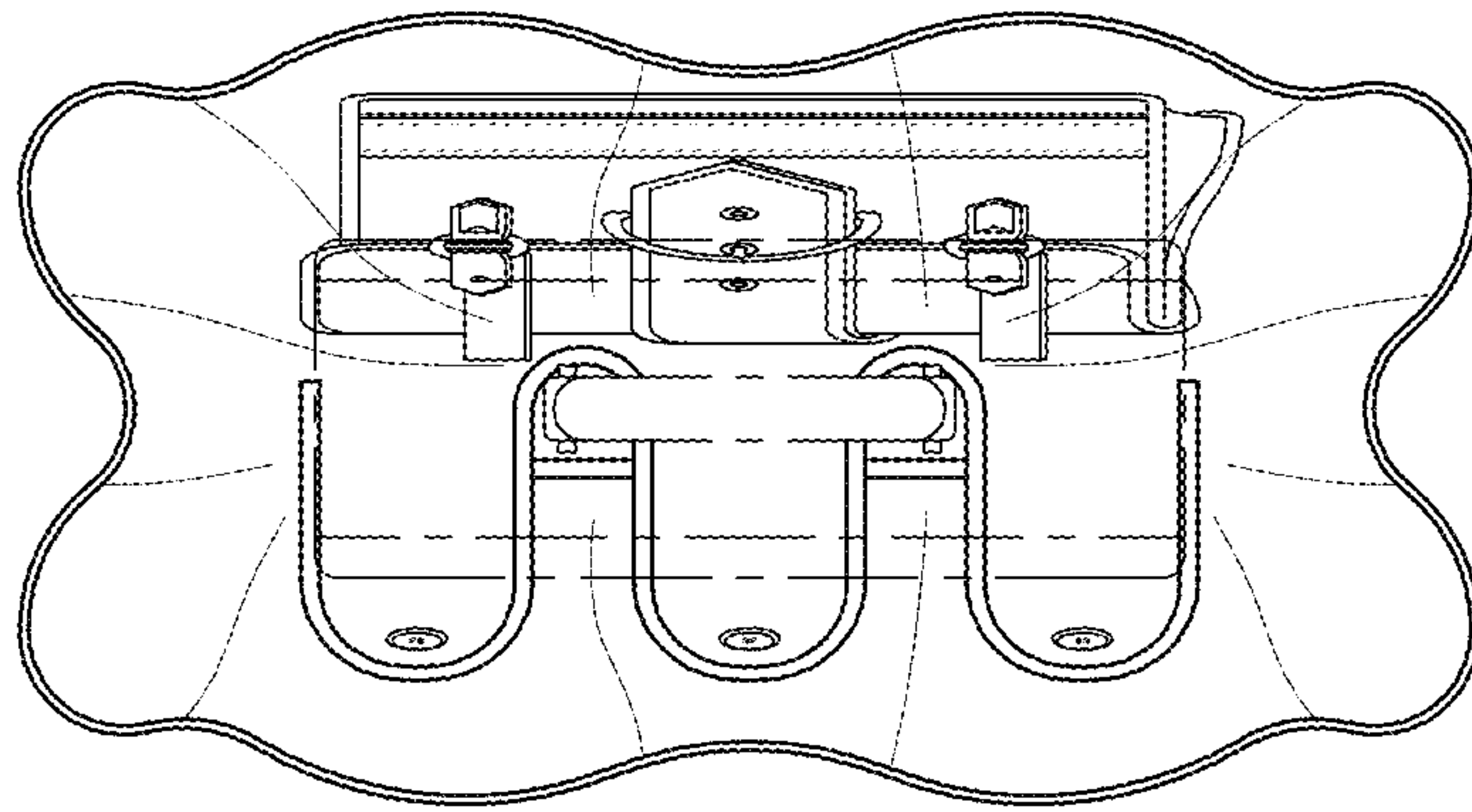


FIG. 11

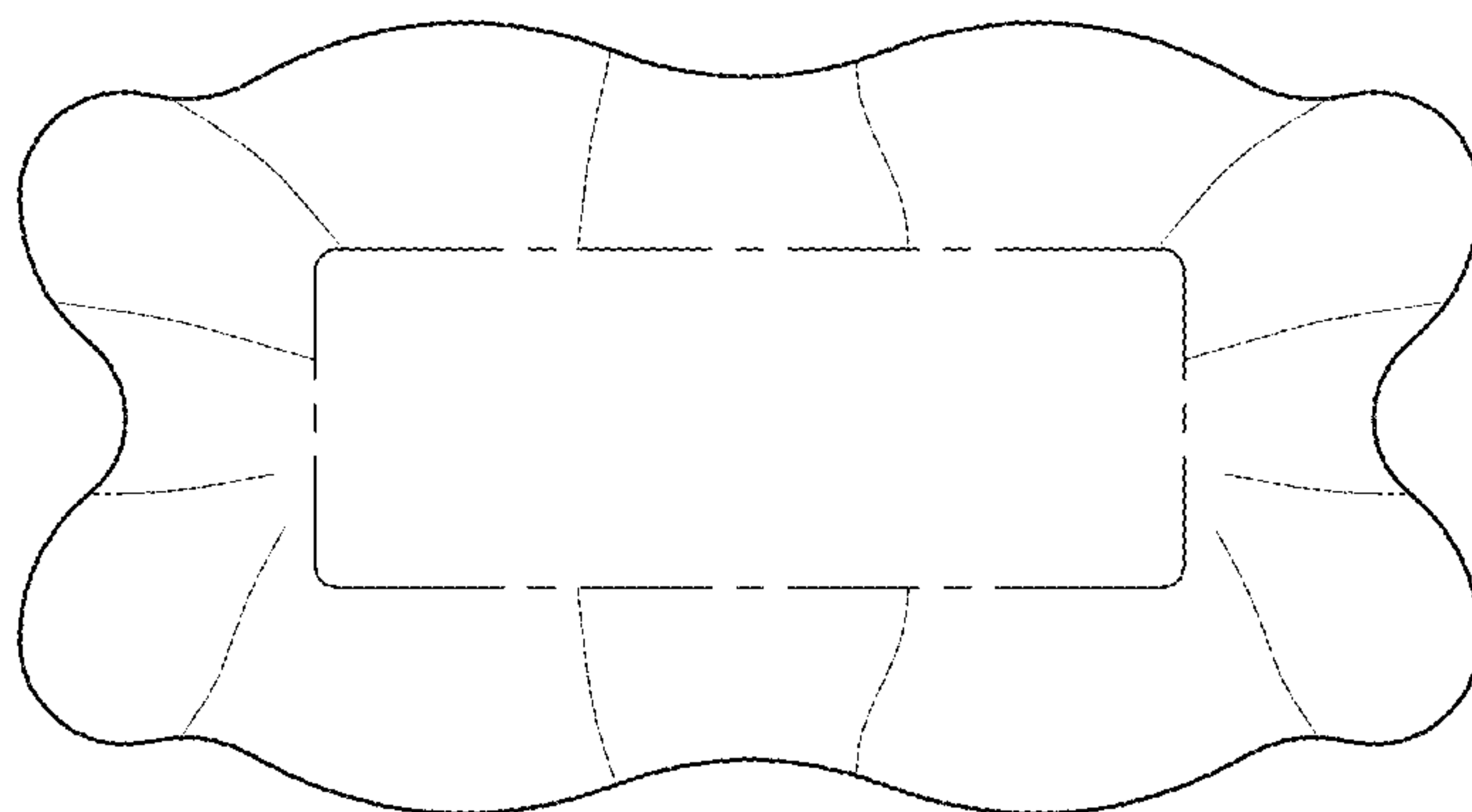


FIG. 12

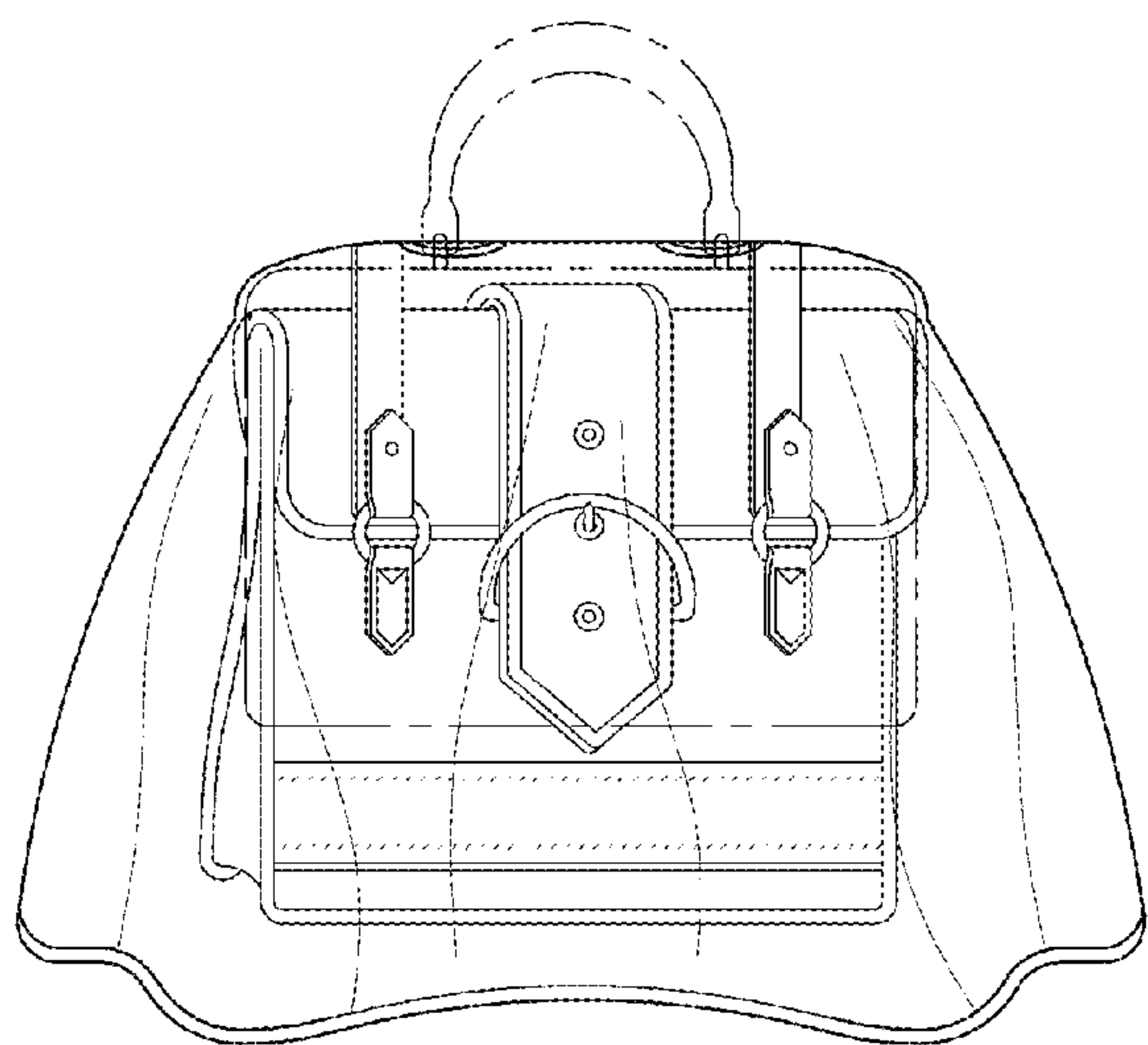


FIG. 13

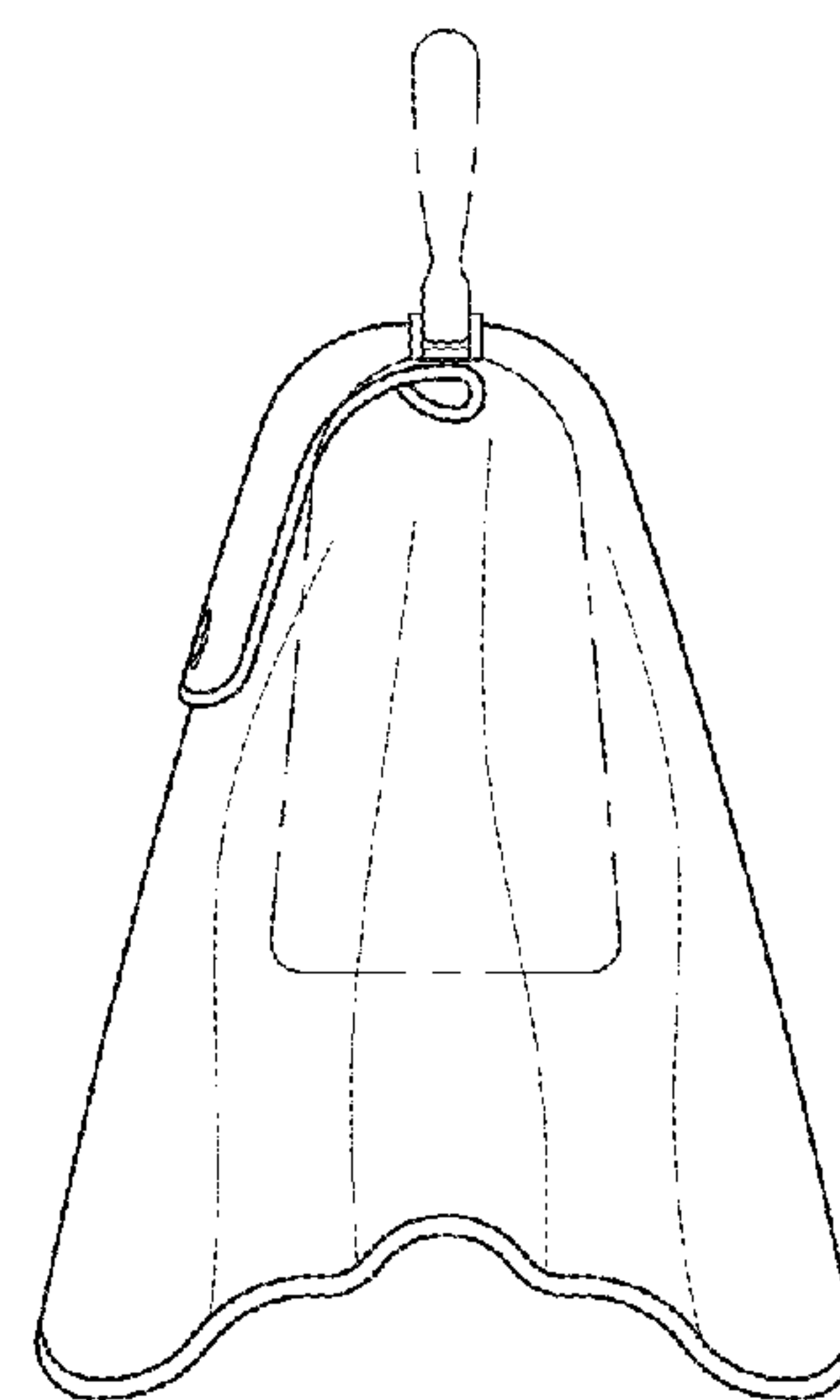


FIG. 14