

US00D766574S

(12) **United States Design Patent** (10) **Patent No.:** **US D766,574 S**
Hsu (45) **Date of Patent:** **** Sep. 20, 2016**

(54) **CONTAINER**
(71) Applicant: **L&F PLASTICS CO., LTD.**, Miaoli County (TW)
(72) Inventor: **Mu-Chuan Hsu**, Miaoli County (TW)
(73) Assignee: **L & F Plastics, Co., Ltd.**, Miaoli County (TW)
(**) Term: **15 Years**
(21) Appl. No.: **29/527,535**
(22) Filed: **May 20, 2015**
(30) **Foreign Application Priority Data**

D436,728 S * 1/2001 Harding D3/201
D467,052 S * 12/2002 Van Landingham, Jr. D34/1
D473,377 S * 4/2003 Chandaria D3/304
D517,319 S * 3/2006 Wisnoski D3/304
D538,539 S * 3/2007 Richardson D3/314
D545,060 S * 6/2007 Cheng D3/304
D547,973 S * 8/2007 Brown D3/313
7,438,186 B2 * 10/2008 Markson A47F 5/0025
206/45.24
D583,562 S * 12/2008 Ghiorghie D3/304
D594,229 S * 6/2009 Barkdoll D3/304
D689,718 S * 9/2013 Puckett D6/683
D690,514 S * 10/2013 Shamp D3/304
D702,012 S * 4/2014 Kyle D34/27
D712,477 S * 9/2014 Stravitz D19/90
D716,552 S * 11/2014 Theisen D3/304
D727,072 S * 4/2015 Sorel D6/683
D731,186 S * 6/2015 Hsu D3/304
D745,781 S * 12/2015 Hsu D3/304
D748,916 S * 2/2016 Nilsson D3/302

Mar. 13, 2015 (TW) 104300349 D02
Mar. 13, 2015 (TW) 104300350 D02

* cited by examiner

(51) **LOC (10) Cl.** **03-03**
(52) **U.S. Cl.**
USPC **D3/304**

Primary Examiner — Kelley Donnelly
(74) *Attorney, Agent, or Firm* — Alan D. Kamrath;
Kamrath IP Lawfirm, P.A.

(58) **Field of Classification Search**
USPC D3/203.1, 203.6, 225, 218, 273, 302,
D3/304, 314; 206/503–506, 508, 510, 512,
206/514–515; D30/161
CPC ... A45C 13/083; A47F 1/04; B65D 71/0003;
B65D 2543/00222; B65D 2543/00296
See application file for complete search history.

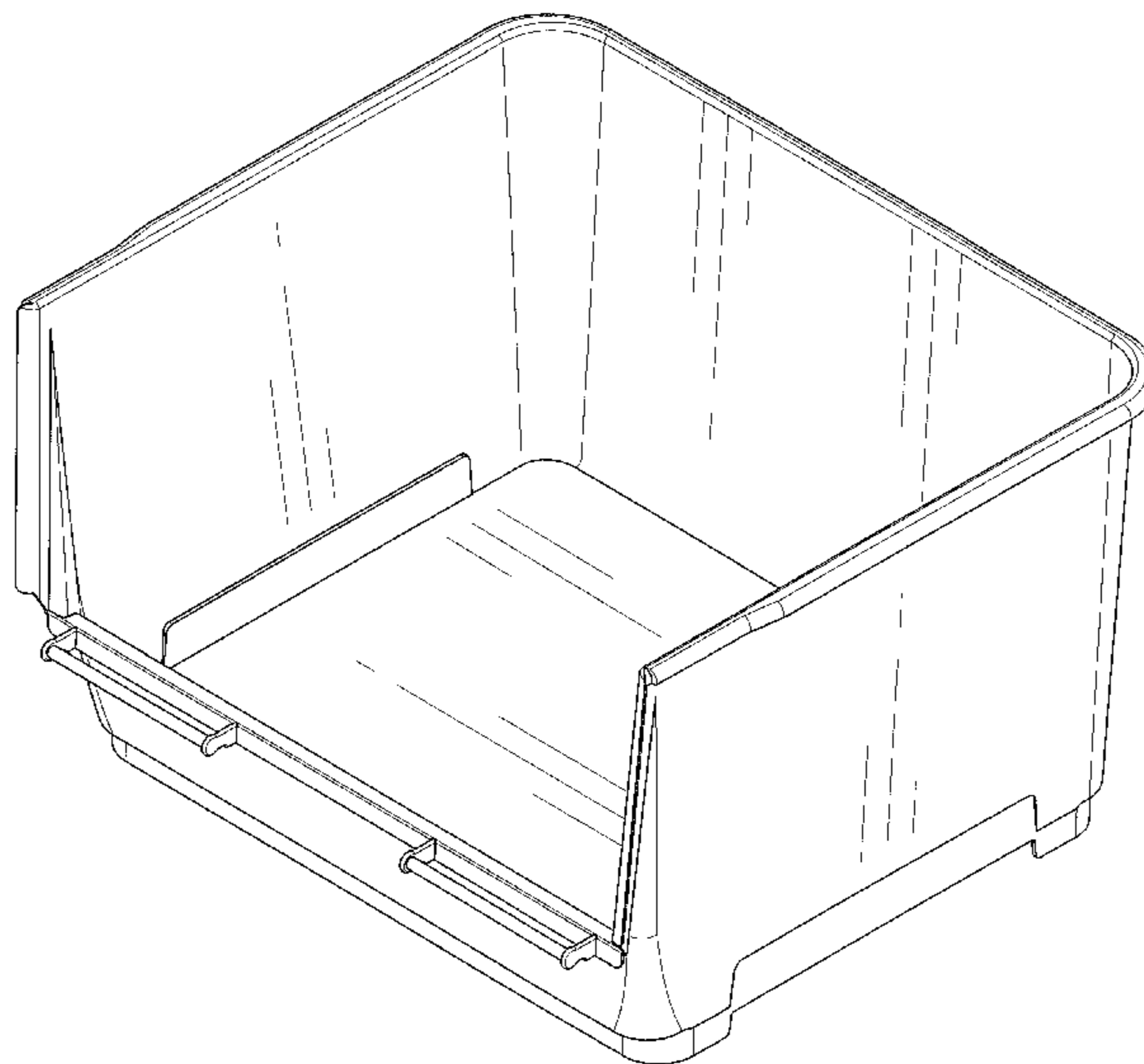
(57) **CLAIM**
The ornamental design for a container, as shown and described.

DESCRIPTION

(56) **References Cited**
U.S. PATENT DOCUMENTS
2,916,161 A * 12/1959 Schaefer B65D 21/0215
206/512
D274,012 S * 5/1984 Williams D3/304
D301,927 S * 6/1989 Williams, Jr. D3/304
D327,561 S * 6/1992 Hradisky D3/307
D336,698 S * 6/1993 Conaway D3/307
D380,880 S * 7/1997 Reid D30/118
D425,703 S * 5/2000 Ohayon D3/201

FIG. 1 is a perspective view of a container showing my new design;
FIG. 2 is a front view thereof;
FIG. 3 is a rear view thereof;
FIG. 4 is a left view thereof;
FIG. 5 is a right view thereof;
FIG. 6 is a top plan view thereof; and,
FIG. 7 is a bottom plan view thereof.
The broken lines are shown for purposes of illustrating parts that form no part of the claimed design.

1 Claim, 5 Drawing Sheets



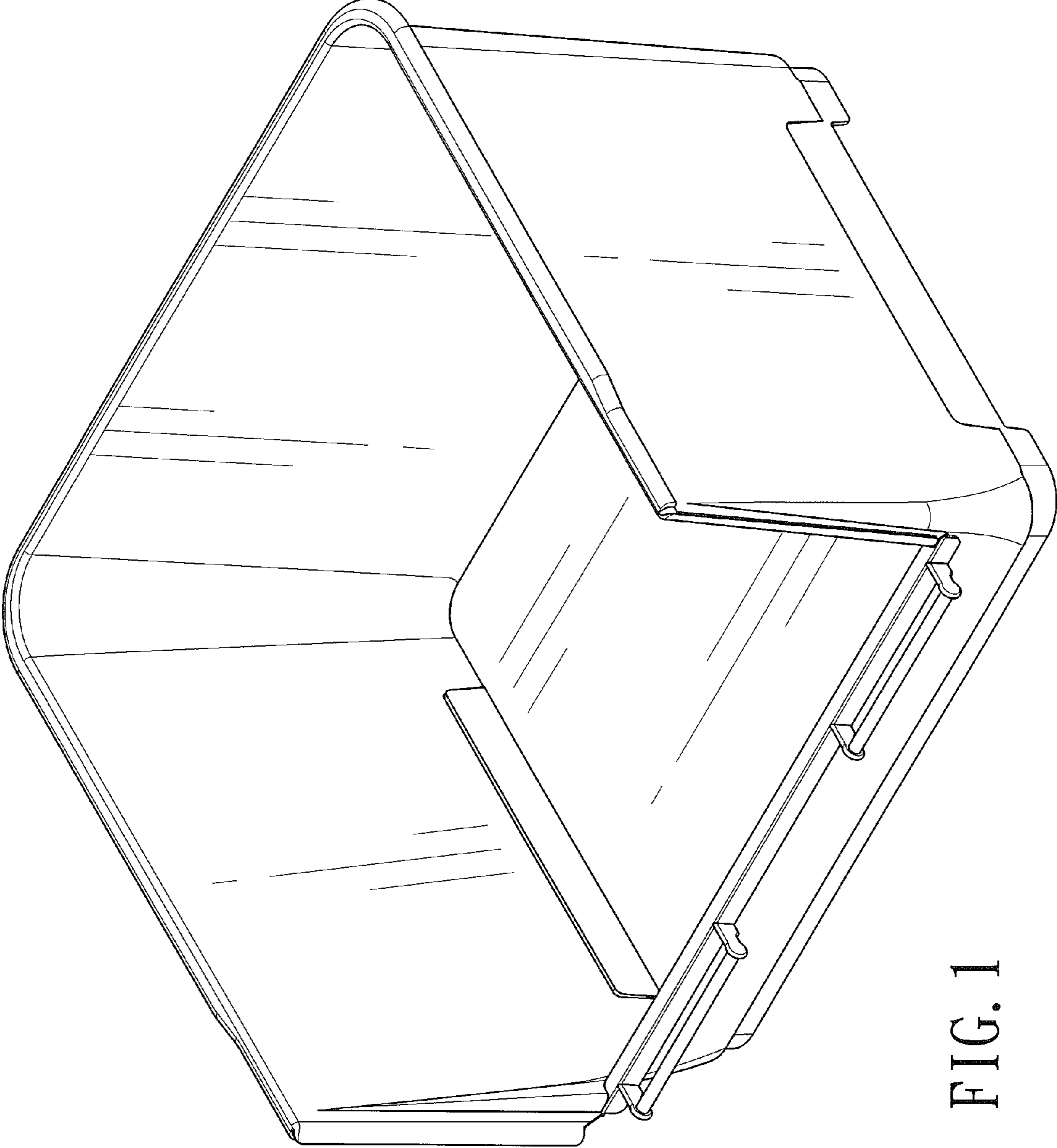


FIG. 1

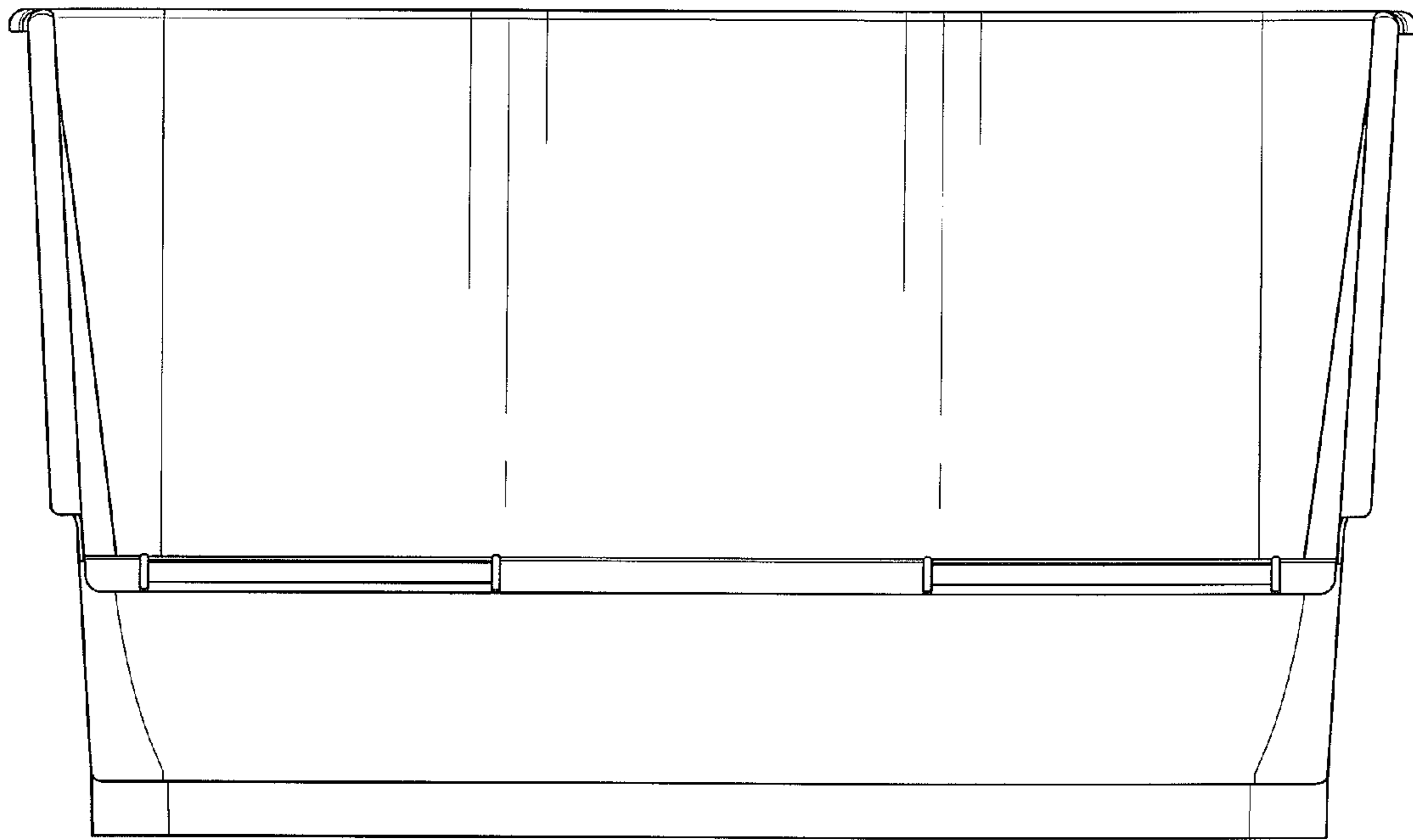


FIG. 2

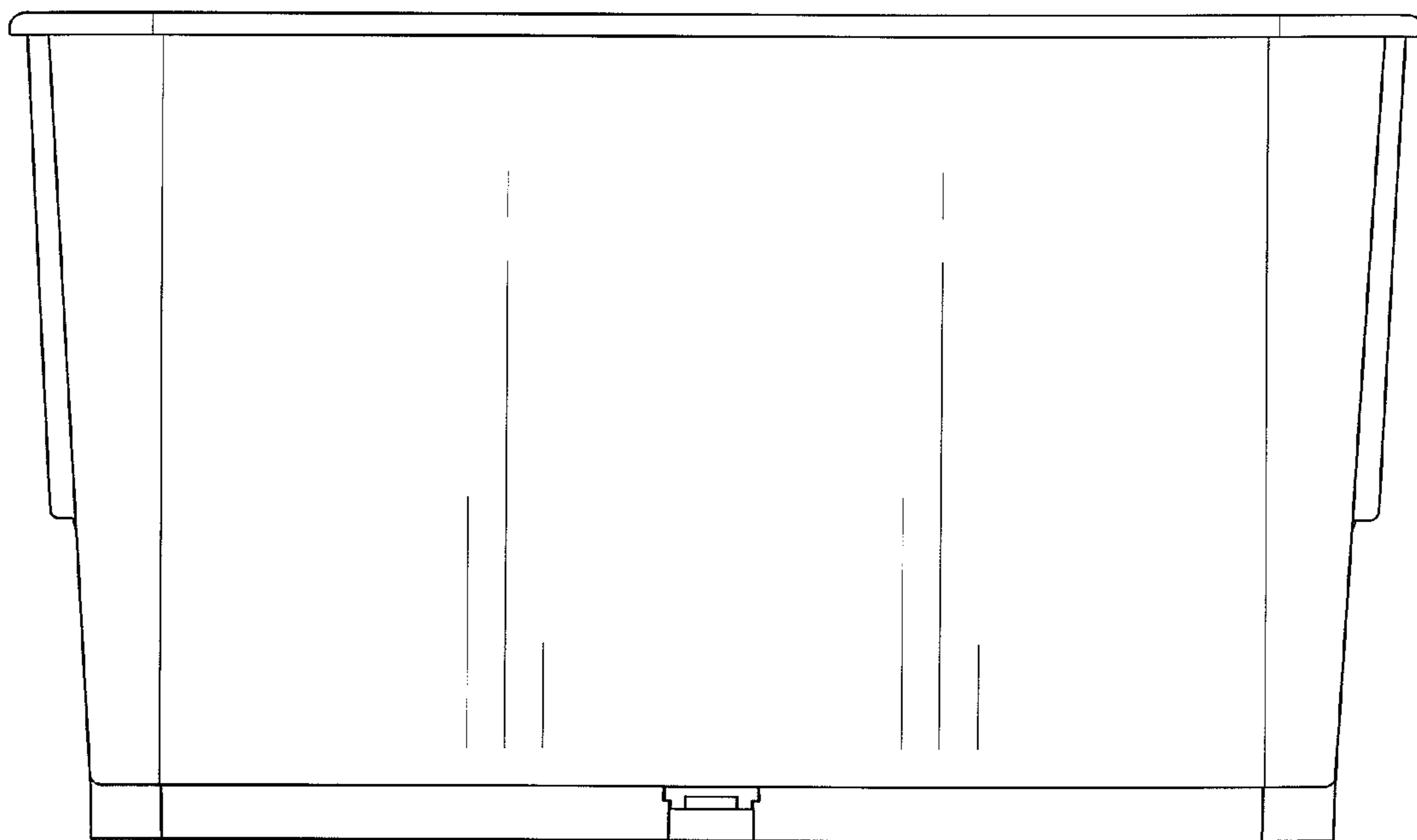


FIG. 3

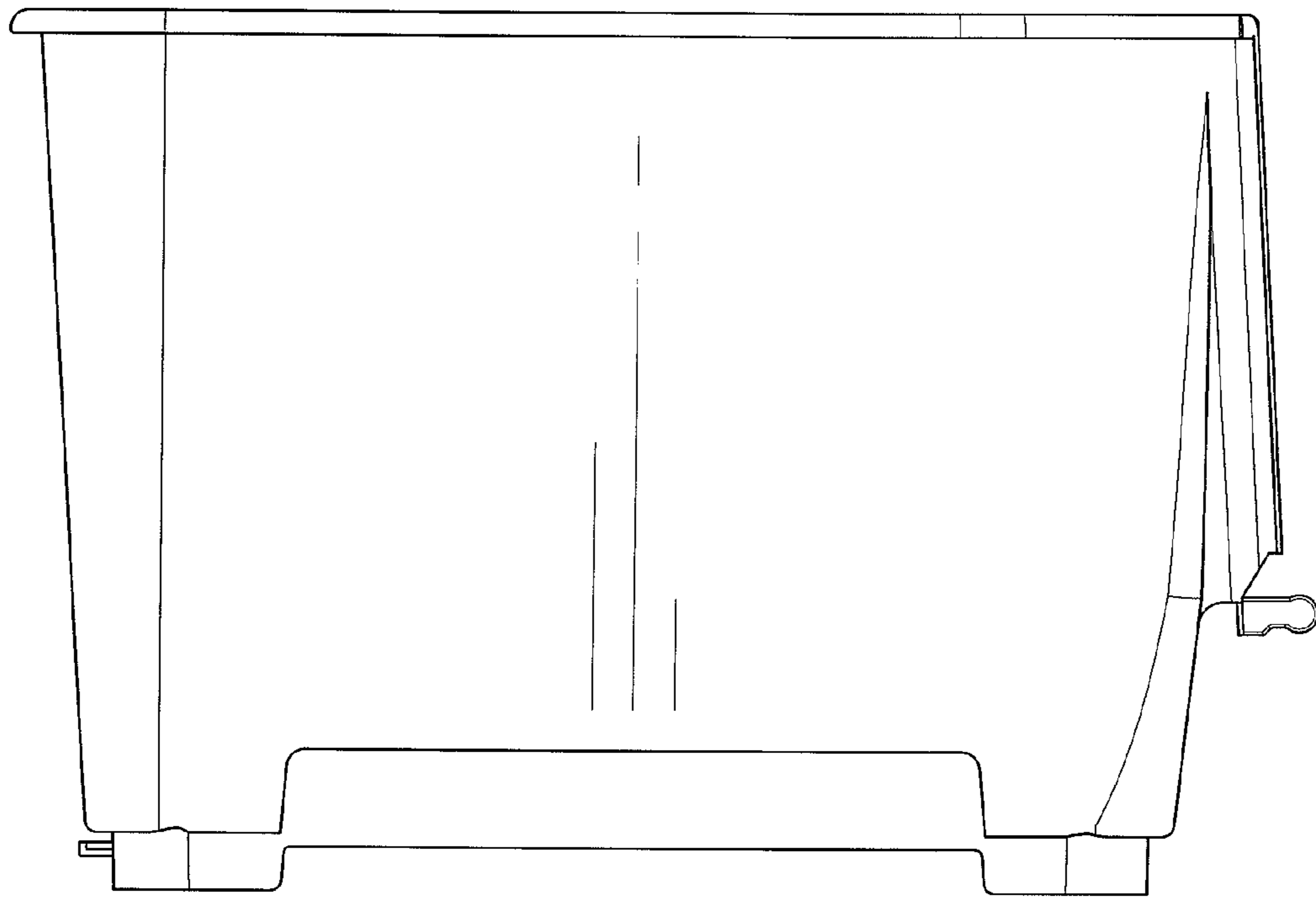


FIG. 4

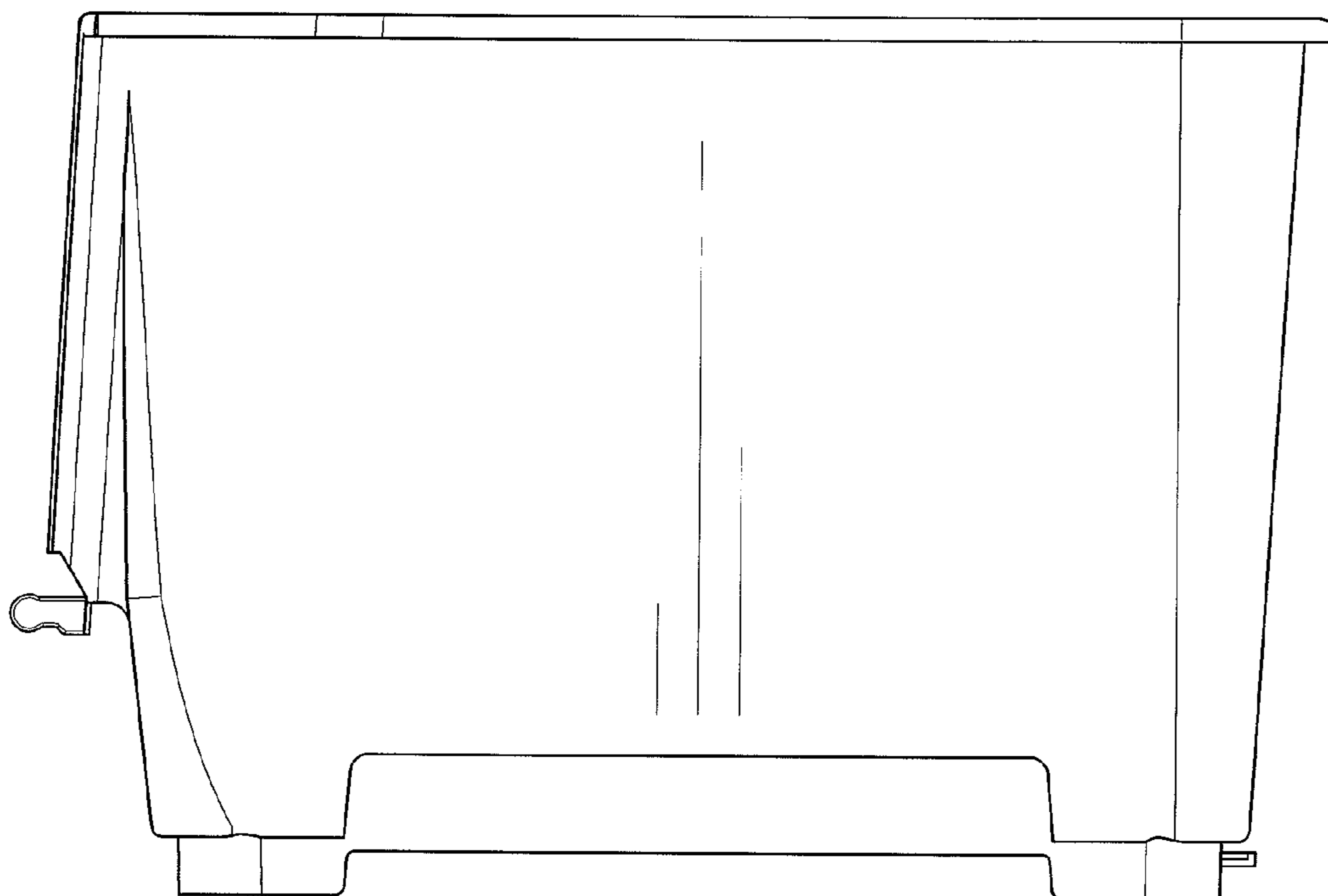


FIG. 5

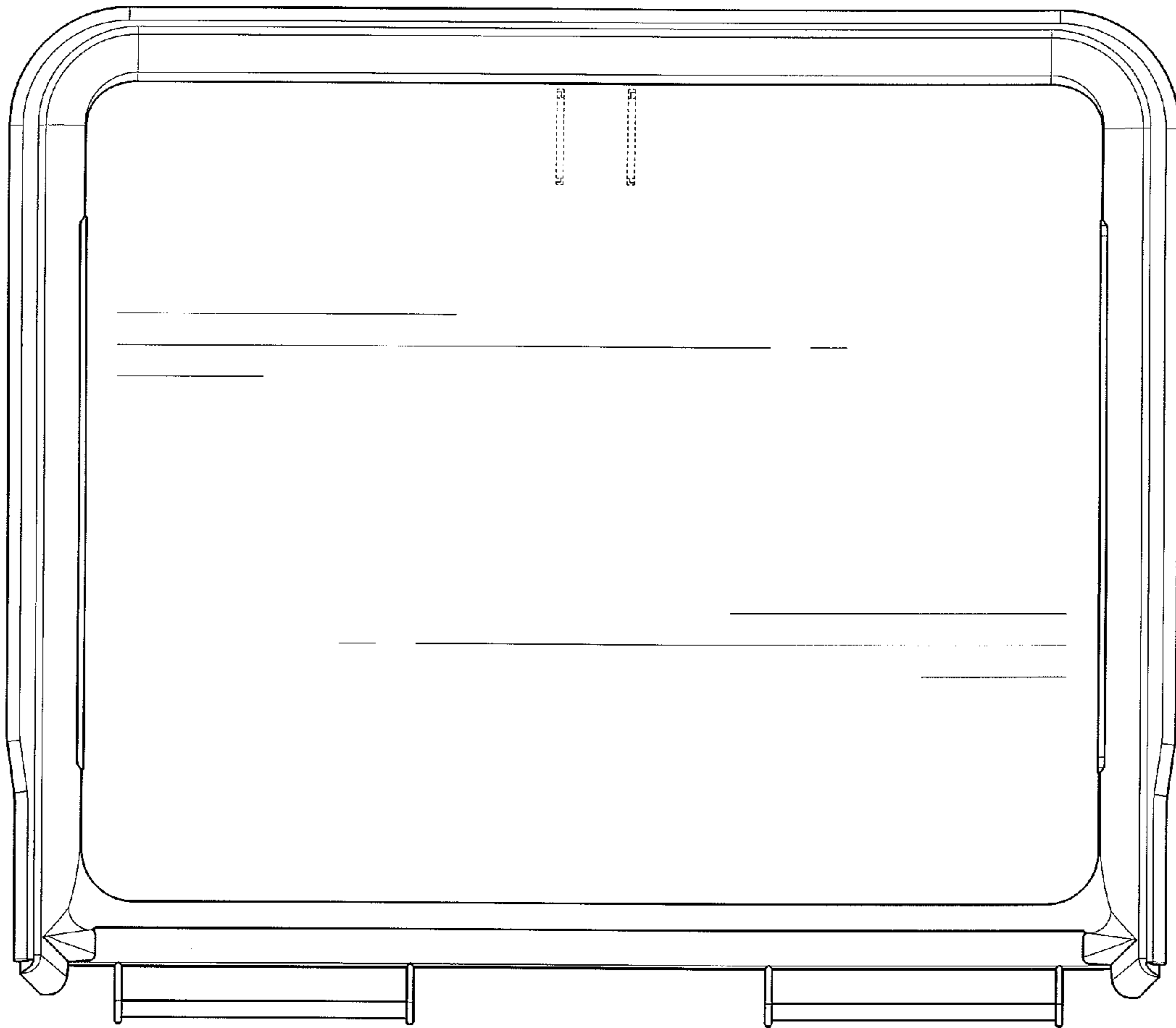


FIG. 6

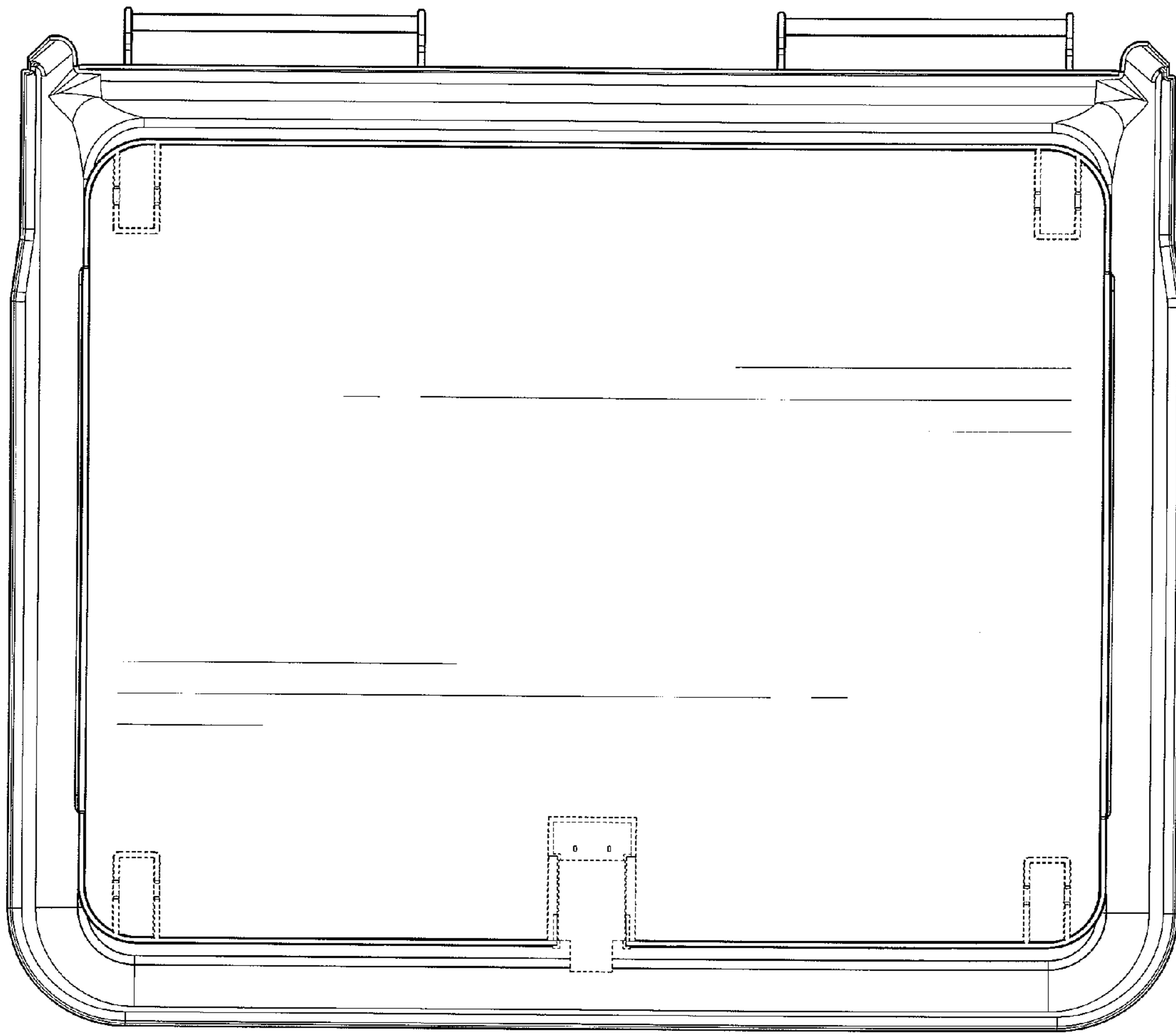


FIG. 7