

US00D766571S

(12) **United States Design Patent** (10) **Patent No.:** **US D766,571 S**
Boroski (45) **Date of Patent:** **** Sep. 20, 2016**

(54) **STORAGE BAG**
(71) Applicant: **Dwayne Boroski**, Lake in the Hills, IL (US)
(72) Inventor: **Dwayne Boroski**, Lake in the Hills, IL (US)
(73) Assignee: **THERMOS L.L.C.**, Schaumburg, IL (US)

5,526,907 A * 6/1996 Trawick A45C 3/10
190/111
D371,942 S * 7/1996 Lippincott D7/607
D376,044 S * 12/1996 Trawick D3/283
D389,305 S * 1/1998 Hauschild D3/260
5,772,066 A 6/1998 Reynolds
D398,191 S * 9/1998 Melk D7/607
5,871,280 A * 2/1999 Watters A01K 5/0114
206/216
6,015,072 A 1/2000 Young
D423,779 S 5/2000 Goatcher
6,105,844 A 8/2000 Walters

(**) Term: **14 Years**

(Continued)

(21) Appl. No.: **29/516,322**
(22) Filed: **Jan. 30, 2015**
(51) **LOC (10) Cl.** **03-01**
(52) **U.S. Cl.**
USPC **D3/232**
(58) **Field of Classification Search**
USPC D7/607, 709; D3/232-233, 240-243,
D3/245, 246, 289, 301, 318, 287, 283,
D3/276; 383/110, 41, 6; 206/545;
220/592.01, 592.2; 62/457.7
CPC A45C 1/024; A45C 3/06; A45C 11/20;
A45C 5/06; F25D 3/08; F25D 2331/801
See application file for complete search history.

FOREIGN PATENT DOCUMENTS

AU 155311 S 5/2004
AU 338281 S 8/2011

(Continued)

OTHER PUBLICATIONS

Design U.S. Appl. No. 29/516,328, filed Jan. 30, 2015 (20 pages).

(Continued)

Primary Examiner — Derrick Holland
Assistant Examiner — Jennifer O King
(74) *Attorney, Agent, or Firm* — Polsinelli PC

(57) **CLAIM**

The ornamental design for a storage bag, as shown and described.

(56) **References Cited**

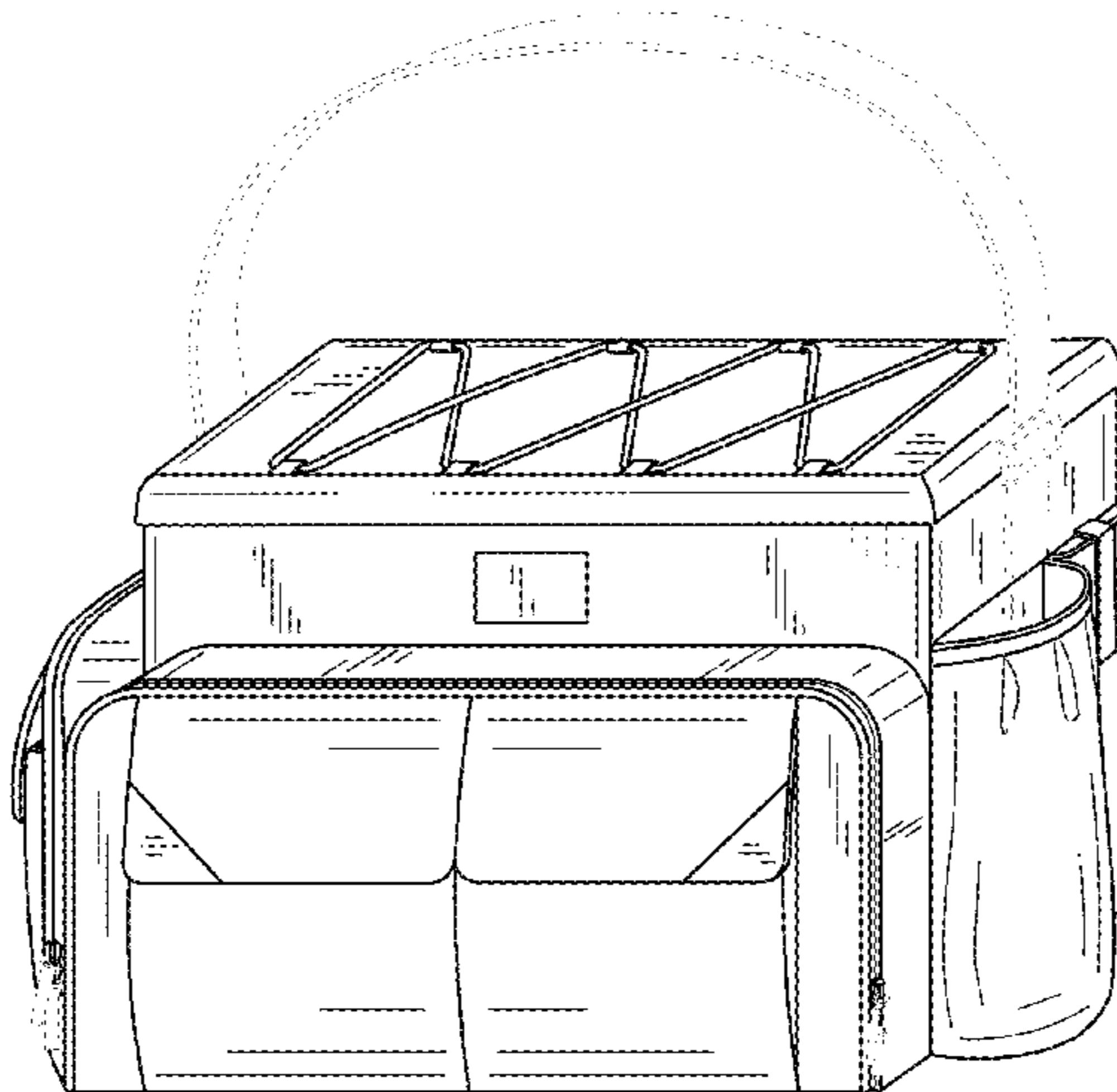
U.S. PATENT DOCUMENTS

D270,873 S 10/1983 Katz
D272,965 S 3/1984 Simon
D280,260 S * 8/1985 Leiserson D3/267
4,541,539 A * 9/1985 Matthews A01K 97/22
220/555
D284,333 S * 6/1986 Huston D3/268
D291,149 S 8/1987 Smith
4,921,151 A * 5/1990 Duvall B62J 9/00
190/125
D312,530 S * 12/1990 Gallen D3/268
4,984,662 A 1/1991 Jacober
D336,218 S * 6/1993 Hague D12/411
D370,123 S * 5/1996 Klinger D3/231

DESCRIPTION

FIG. 1 is a perspective view of a storage bag;
FIG. 2 is a front view thereof;
FIG. 3 is a rear view thereof;
FIG. 4 is a right side view thereof;
FIG. 5 is a left side view thereof;
FIG. 6 is a top view thereof; and,
FIG. 7 is a bottom view thereof.
The broken lines shown represent unclaimed subject matter and form no part of the claimed design.

1 Claim, 7 Drawing Sheets



(56)

References Cited

U.S. PATENT DOCUMENTS

D443,417 S 6/2001 Hillman
 D447,340 S 9/2001 Snider
 D447,667 S 9/2001 Schneider et al.
 6,336,577 B1 1/2002 Harris
 D465,134 S 11/2002 Joss
 6,474,097 B2 11/2002 Treppedi et al.
 6,478,463 B2 11/2002 Snider
 D468,533 S 1/2003 MacRae et al.
 D471,012 S * 3/2003 Peterson D3/254
 D472,380 S 4/2003 Hillman
 D478,782 S 8/2003 Li
 6,609,626 B2 8/2003 Young
 D485,732 S 1/2004 Lanman et al.
 D494,757 S 8/2004 Hinds
 6,821,019 B2 11/2004 Mogil
 D501,603 S 2/2005 Shamas
 D526,484 S * 8/2006 Flint D3/283
 D542,031 S 5/2007 Zapata
 D560,450 S * 1/2008 Tagliati D3/287
 7,313,927 B2 * 1/2008 Barker F25D 3/08
 62/457.2
 D572,980 S * 7/2008 Griffard D7/606
 D573,422 S 7/2008 Tagliati et al.
 D574,667 S 8/2008 Grabijas, III et al.
 D575,059 S 8/2008 Cappiello et al.
 D602,688 S * 10/2009 Smith D3/233

D608,096 S 1/2010 Noble
 D608,159 S 1/2010 Whitlock et al.
 D619,854 S 7/2010 Koehler
 D641,162 S 7/2011 Houston et al.
 D648,533 S 11/2011 Sosnovsky
 8,096,442 B2 1/2012 Ramundi
 D662,710 S 7/2012 Fraiman
 8,348,510 B2 1/2013 Mogil
 D692,661 S 11/2013 Gupton, Jr.
 D715,046 S * 10/2014 Stewart D3/232
 8,857,654 B2 10/2014 Mogil et al.

FOREIGN PATENT DOCUMENTS

AU 355476 S 5/2014
 CA 101590 5/2005
 CA 135166 4/2011
 CA 142370 5/2012

OTHER PUBLICATIONS

Design U.S. Appl. No. 29/516,318, filed Jan. 30, 2015 (20 pages).
 Design U.S. Appl. No. 29/516,325, filed Jan. 30, 2015 (20 pages).
 U.S. Appl. No. 29/516,328 Office Action mailed Nov. 5, 2015 (9 pages).
 U.S. Appl. No. 29/516,318 Office Action mailed Nov. 10, 2015 (9 pages).

* cited by examiner

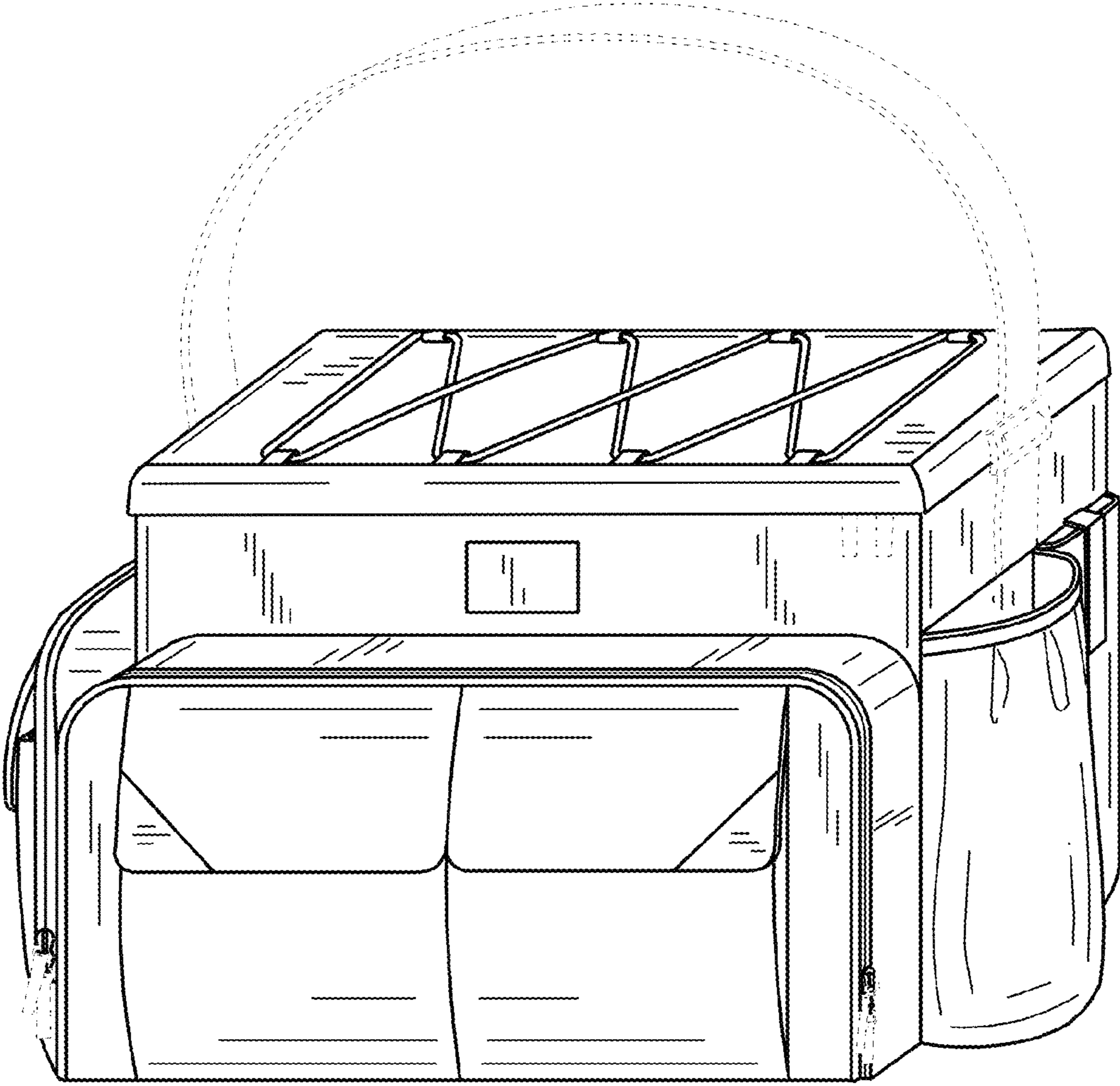


FIG. 1

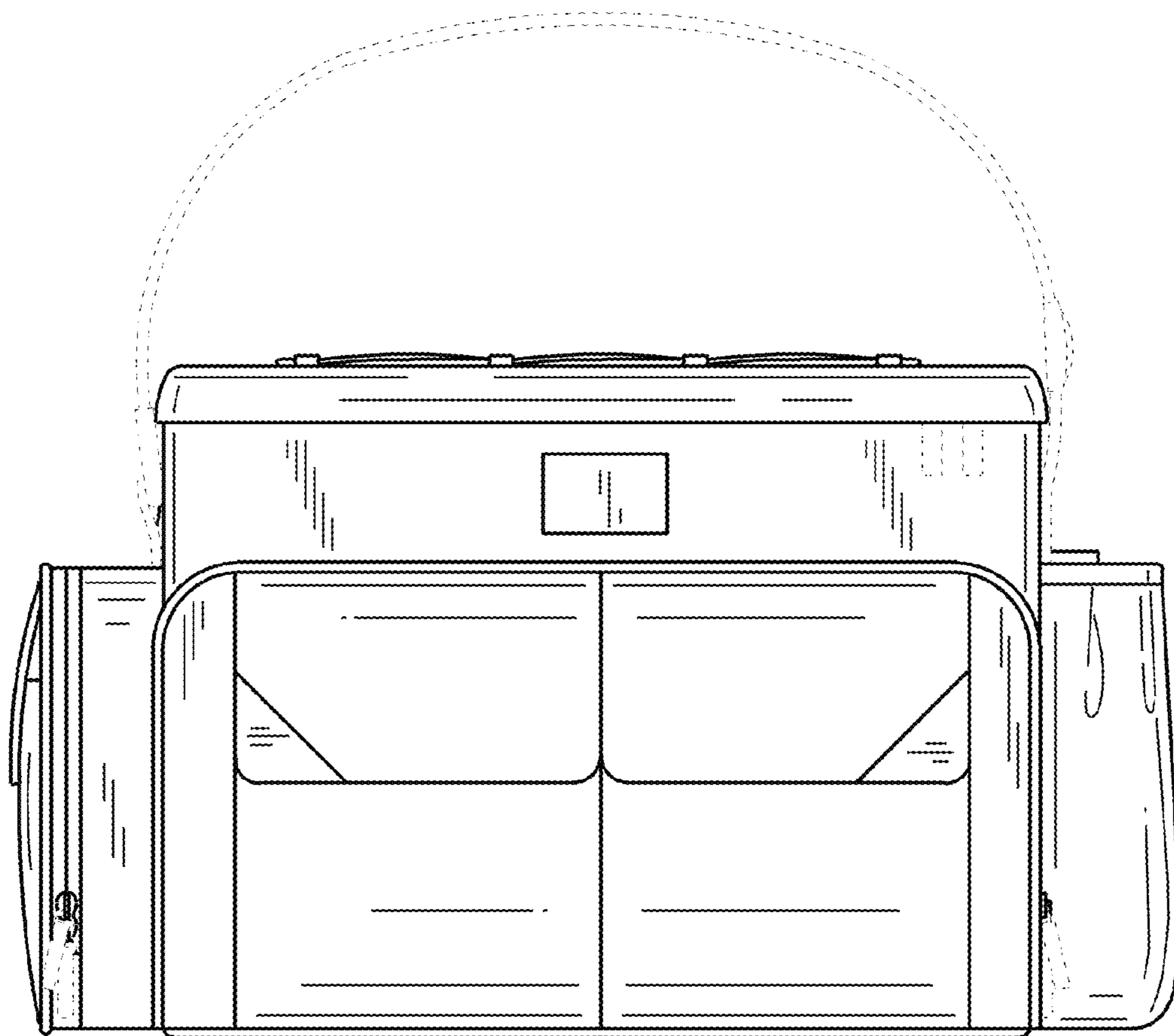


FIG. 2

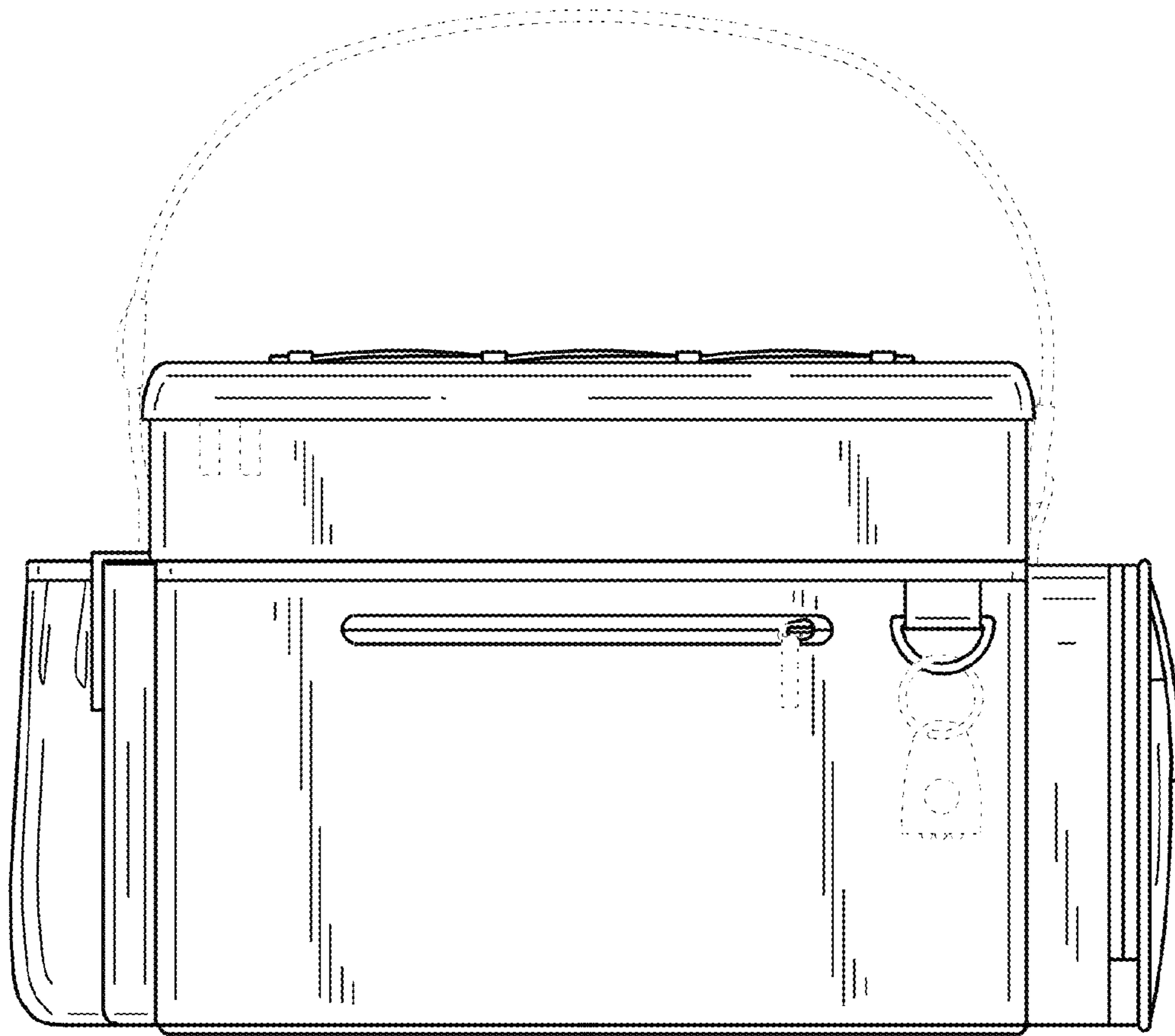


FIG. 3

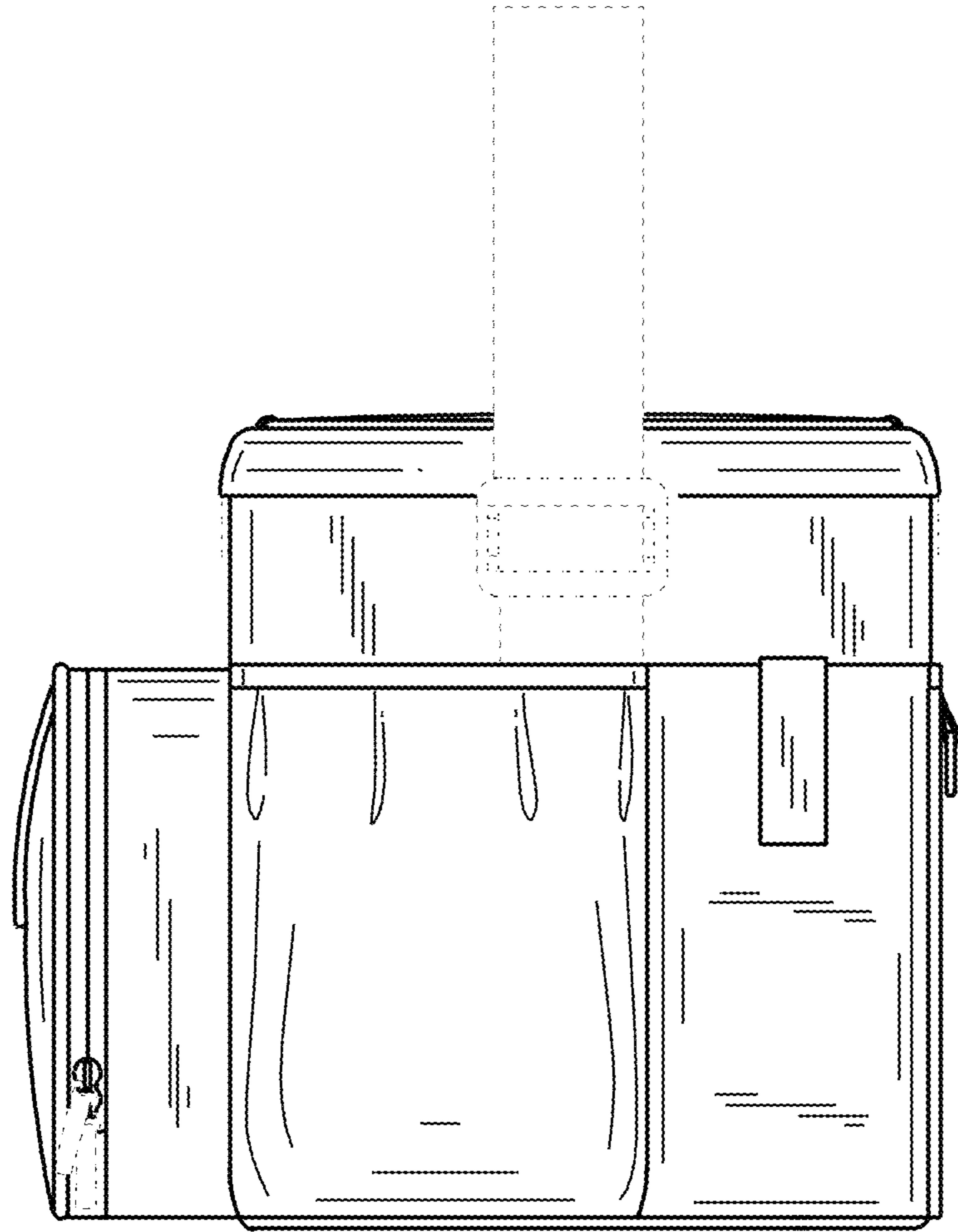


FIG. 4

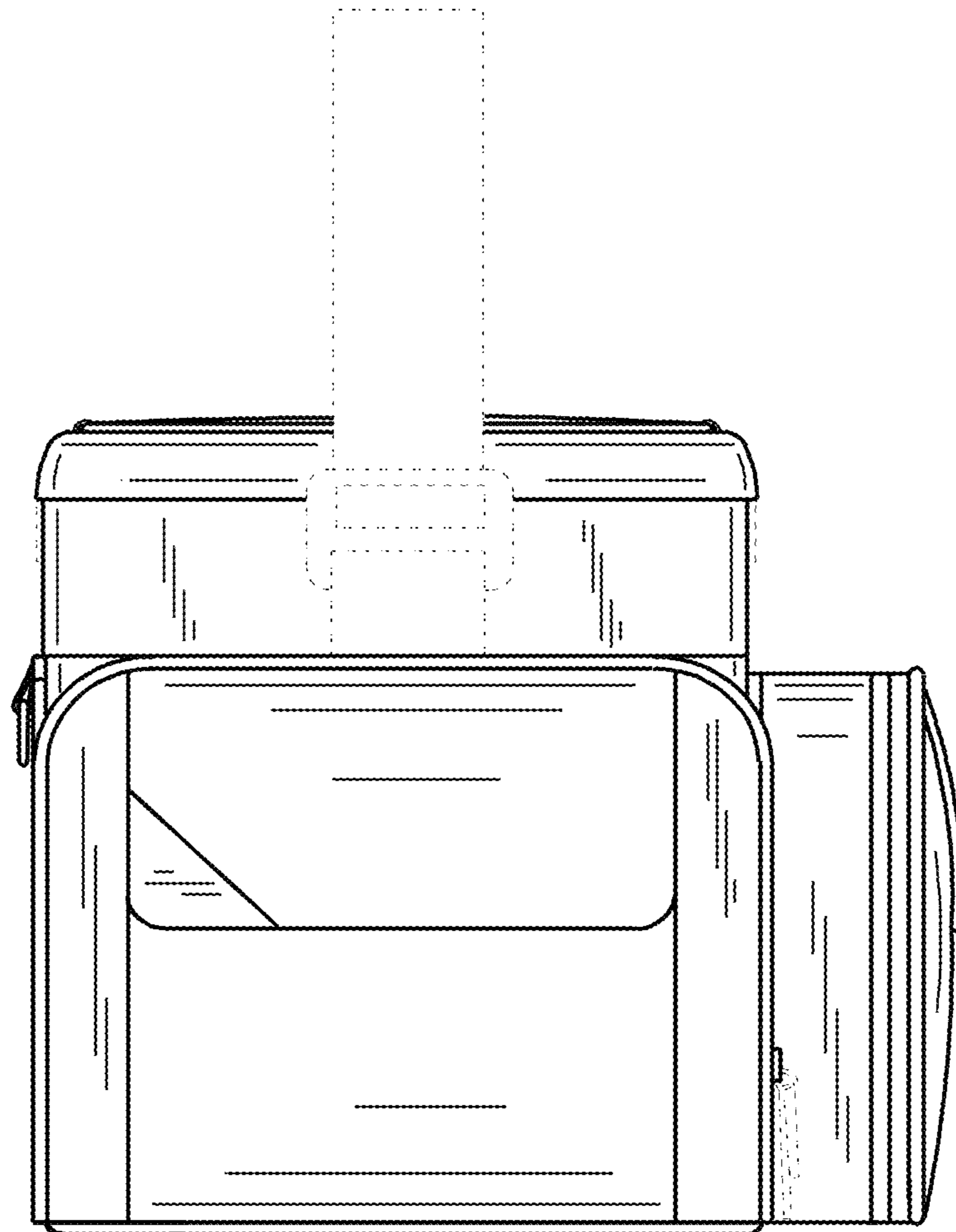


FIG. 5

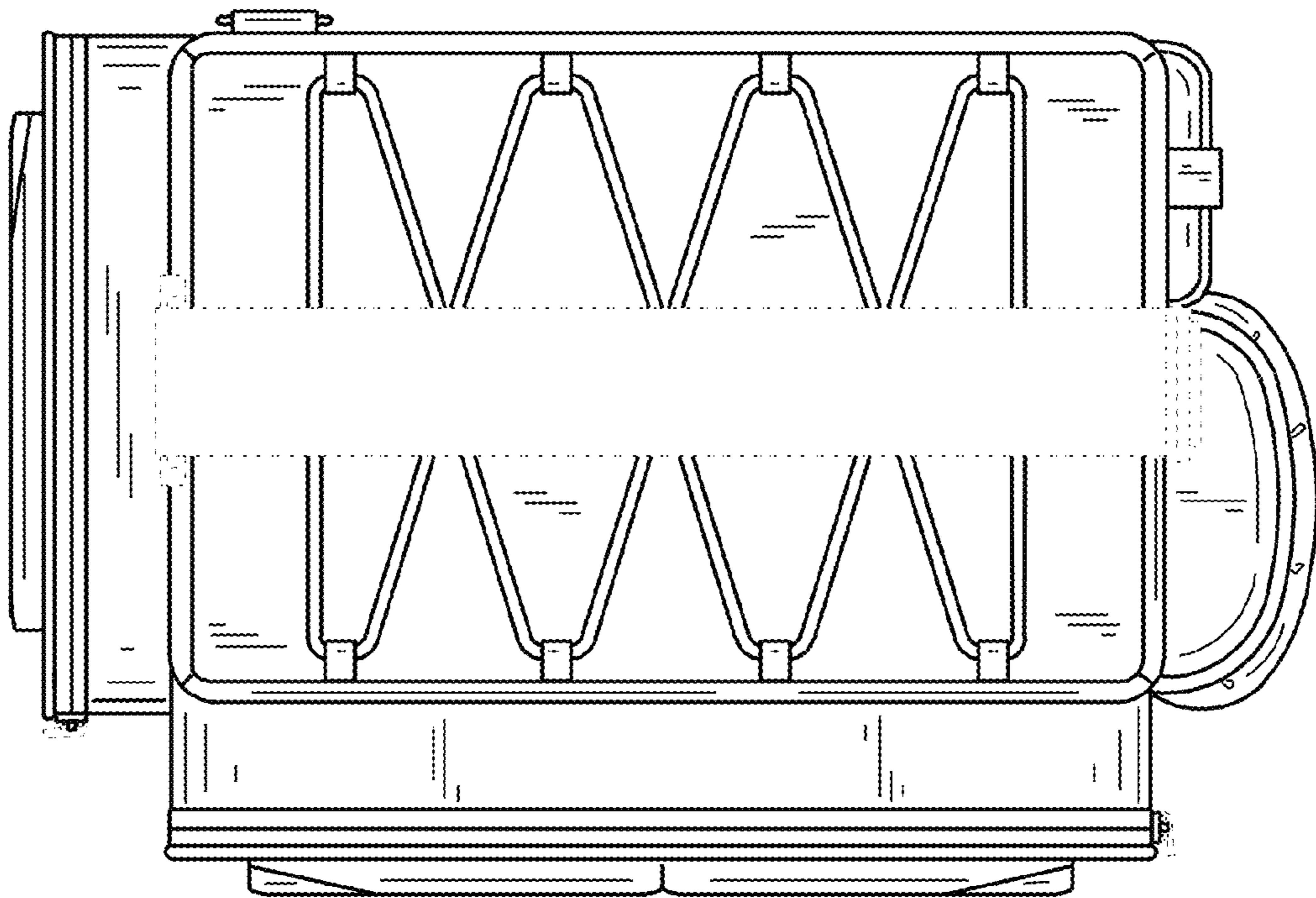


FIG. 6

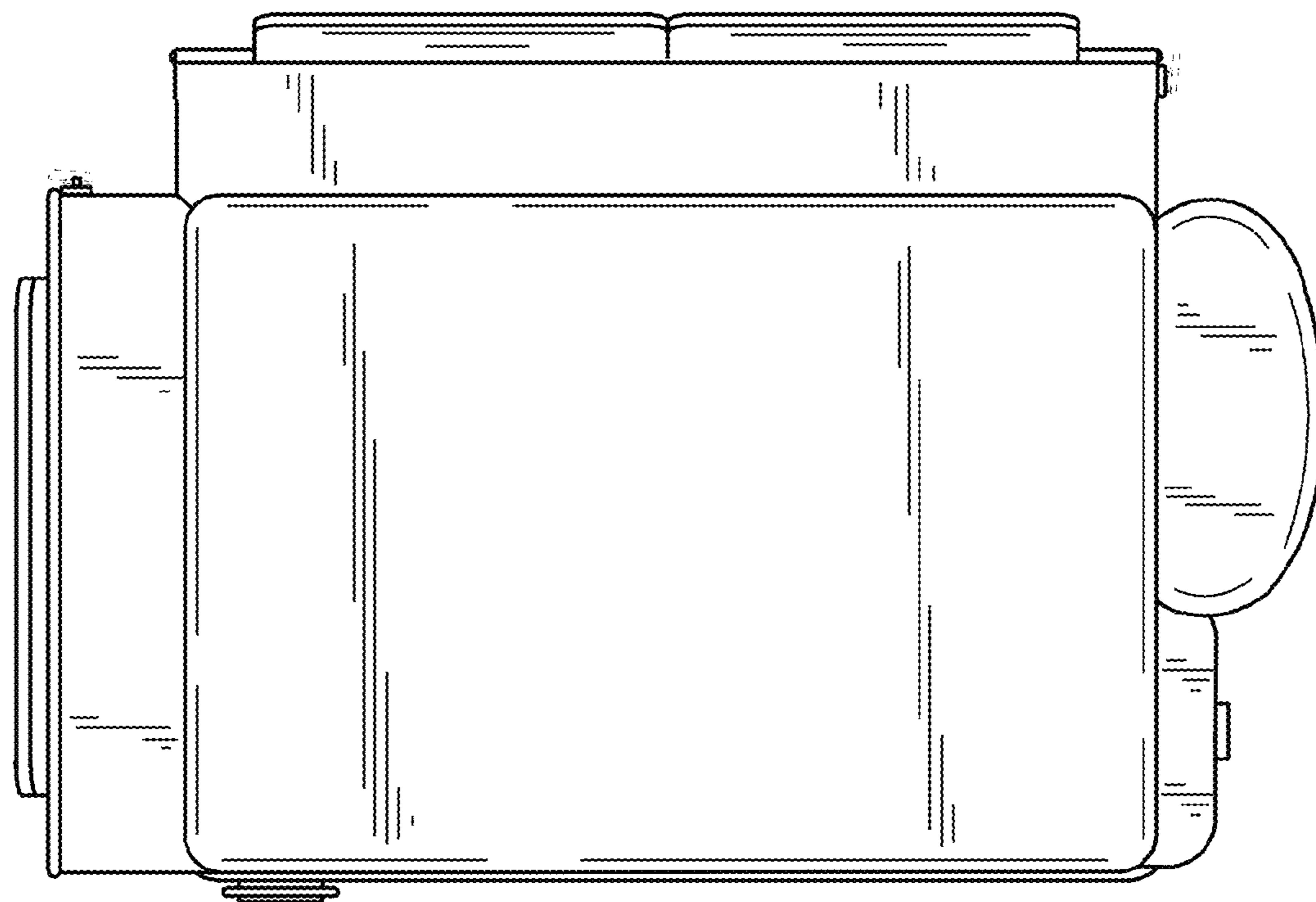


FIG. 7