



US00D766549S

(12) **United States Design Patent** (10) **Patent No.:** **US D766,549 S**  
**Smith** (45) **Date of Patent:** **\*\* Sep. 20, 2016**

(54) **STRAP FOR ATTACHING EQUIPMENT TO AN ARTICLE OF CLOTHING**

(71) Applicant: **Rodney Smith**, Mobile, AL (US)

(72) Inventor: **Rodney Smith**, Mobile, AL (US)

(\*\*) Term: **15 Years**

(21) Appl. No.: **29/530,540**

(22) Filed: **Jun. 17, 2015**

(51) **LOC (10) Cl.** ..... **02-02**

(52) **U.S. Cl.**  
USPC ..... **D2/853**

(58) **Field of Classification Search**  
USPC ..... D2/502, 609, 623, 633, 639, 640, 853,  
D2/864, 891, 946, 976, 978, 993, 999;  
D11/40, 75, 78.1, 94, 108, 132, 140,  
D11/155, 202, 210, 220, 228; 2/137, 139,  
2/246, 249, 250, 251, 312; 24/3.12, 11 R,  
24/62, 64, 66.1, 270, 324, 457, 531.1,  
24/578.12; 206/279; 224/197  
CPC A41D 13/0581; A41D 25/04; A41F 19/005;  
A44B 11/006; F16B 2/20; H01R 33/00;  
Y10T 24/1391; Y10T 24/44017; Y10T  
24/3424; Y10T 24/40; Y10T 24/44444;  
Y10T 24/45257; A45F 5/02  
See application file for complete search history.

(56) **References Cited**

**U.S. PATENT DOCUMENTS**

355,008 A \* 12/1886 Dunn ..... A45F 5/02  
24/580.11  
D23,944 S \* 1/1895 Pearson ..... D2/891

(Continued)

**OTHER PUBLICATIONS**

NPL: "ID badge with snap attachment," "Name tag snap attachment," "epaulette snap" "Magnetic Badge Attachments" Posted: Aug. 2013. Johnson Plastics. <http://www.johnsonplastics.com/pressreleases2013.html>.\*

(Continued)

*Primary Examiner* — Manpreet Matharu

*Assistant Examiner* — Suzanne Tisdell

(74) *Attorney, Agent, or Firm* — AdamsIP, LLC; J. Hunter Adams; Stephen Thompson

(57) **CLAIM**

What is claimed is the ornamental design for a strap for attaching equipment to an article of clothing, as shown.

**DESCRIPTION**

FIG. 1 illustrates a strap for attaching equipment to an article of clothing incorporating my new design attached to an article of clothing;

FIG. 2 illustrates a strap for attaching equipment to an article of clothing incorporating my new design attached to an article of clothing;

FIG. 3 illustrates a strap for attaching equipment to an article of clothing incorporating my new design attached to an article of clothing;

FIG. 4 illustrates a strap for attaching equipment to an article of clothing incorporating my new design attached to an article of clothing;

FIG. 5 is a front perspective view of a strap for attaching equipment to an article of clothing incorporating my new design;

FIG. 6 is a front side view of a strap for attaching equipment to an article of clothing incorporating my new design;

FIG. 7 is a back side view of a strap for attaching equipment to an article of clothing incorporating my new design;

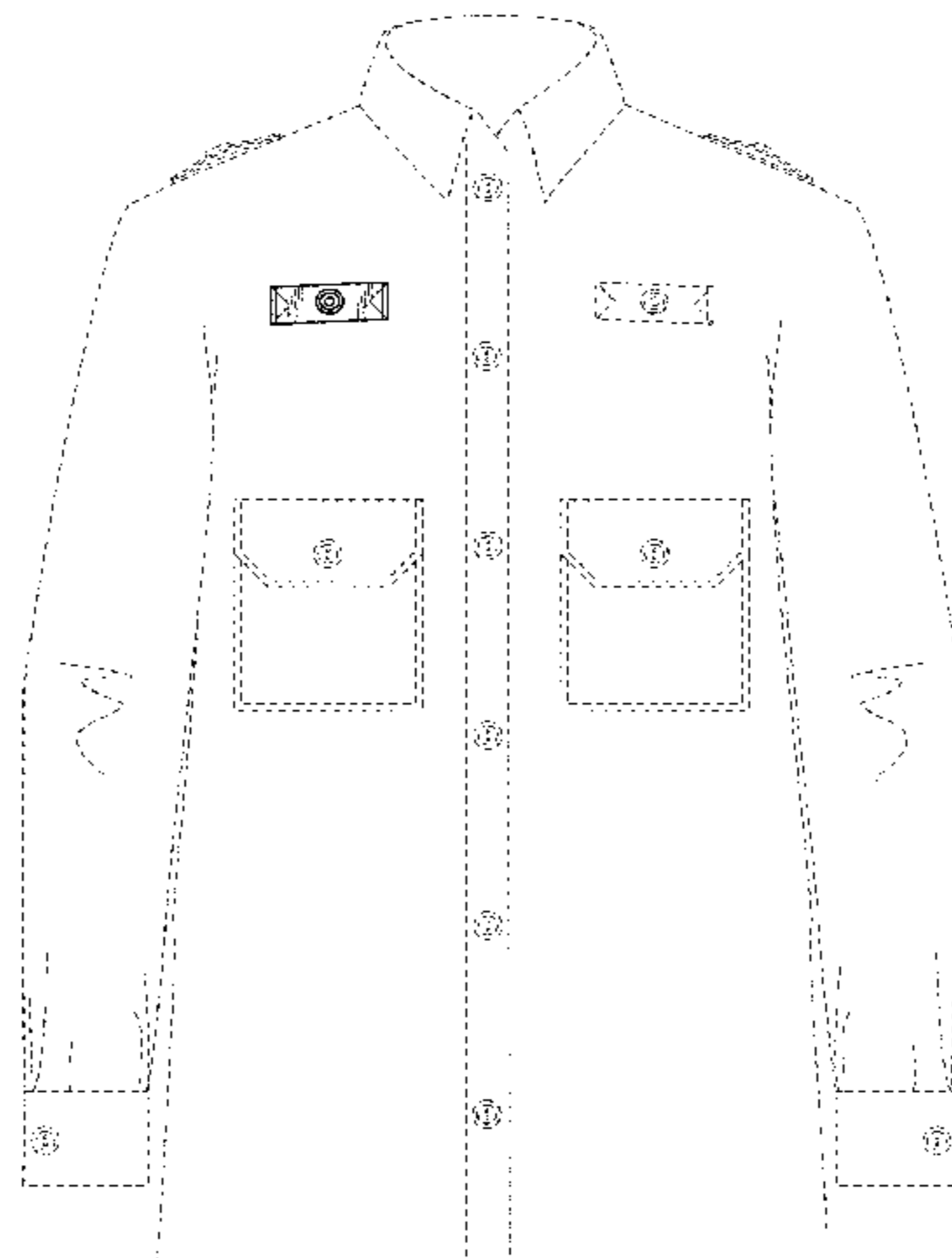
FIG. 8 is a top side view of a strap for attaching equipment to an article of clothing incorporating my new design;

FIG. 9 is a bottom side view of a strap for attaching equipment to an article of clothing incorporating my new design; and,

FIG. 10 is a side view of a strap for attaching equipment to an article of clothing incorporating my new design.

The broken lines in the drawings that represent the portions of an article of clothing are for the purpose of illustrating environment that forms no part of the claimed design.

**1 Claim, 5 Drawing Sheets**



(56)

References Cited

U.S. PATENT DOCUMENTS

769,067 A \* 8/1904 Eldredge ..... B43K 25/022  
24/11 CT  
798,174 A \* 8/1905 Einehe ..... A41D 27/20  
2/251  
1,317,676 A \* 10/1919 Baumgartner ..... A44B 11/24  
24/163 R  
1,857,973 A \* 5/1932 Reiter ..... A44B 17/0017  
24/324  
1,880,317 A \* 10/1932 Dews ..... A44B 17/0017  
24/324  
D91,423 S \* 1/1934 Forstner ..... D2/640  
1,989,379 A \* 1/1935 Reiter ..... A44B 17/0017  
24/324  
2,051,715 A \* 8/1936 Johnson ..... A44B 17/0005  
24/324  
2,636,234 A \* 4/1953 Reiter ..... A44B 11/06  
24/324  
D176,831 S \* 1/1956 Strauss ..... D2/609  
3,045,304 A \* 7/1962 Shears ..... A44B 11/006  
24/324  
3,100,608 A \* 8/1963 Goldfarb ..... A44B 11/005  
242/385.4  
3,153,791 A \* 10/1964 White ..... A45F 5/02  
2/267  
3,894,667 A \* 7/1975 Baldocchi ..... A45F 5/02  
224/198  
D238,912 S \* 2/1976 Stephens ..... D2/639  
4,651,989 A \* 3/1987 Wilson ..... A41F 9/002  
2/321  
D290,311 S \* 6/1987 Metzger ..... D11/220  
D336,867 S \* 6/1993 Wright ..... D11/202  
5,622,296 A \* 4/1997 Pirhonen ..... A45F 5/02  
224/197  
D394,823 S \* 6/1998 Vos ..... D11/79  
D402,424 S \* 12/1998 Jackson ..... D29/122  
D420,778 S \* 2/2000 Roberts ..... D2/605  
D431,014 S \* 9/2000 Akashi ..... D11/220  
D433,965 S \* 11/2000 Fildan ..... D11/220  
D519,404 S \* 4/2006 Berke ..... D11/200  
7,238,081 B2 \* 7/2007 Fildan ..... A41F 15/002  
450/86  
D613,938 S \* 4/2010 Alexander ..... D2/976  
D619,489 S \* 7/2010 Grillo ..... D11/78.1  
D623,088 S \* 9/2010 Schiebl ..... D11/220  
D624,299 S \* 9/2010 Lindow ..... D2/978

D627,146 S \* 11/2010 Kantor ..... D2/976  
D630,425 S \* 1/2011 Olaverri ..... D2/976  
D638,203 S \* 5/2011 Nehemiah ..... D2/853  
D640,448 S \* 6/2011 Aurum ..... D2/639  
D662,691 S \* 7/2012 Jeter, Jr. .... D2/853  
D664,337 S \* 7/2012 Moore ..... D2/946  
D664,739 S \* 8/2012 Gibson ..... D2/840  
D671,443 S \* 11/2012 Paik ..... D11/216  
D671,715 S \* 12/2012 Schottenstein ..... D2/859  
D685,958 S \* 7/2013 Wolfson ..... D30/151  
D715,686 S \* 10/2014 Crafton ..... D11/202  
D723,246 S \* 3/2015 Schultz ..... D2/627  
D726,571 S \* 4/2015 Kovach ..... D11/3  
D727,596 S \* 4/2015 Barber ..... D2/742  
D728,214 S \* 5/2015 Harvey ..... D2/976  
D728,418 S \* 5/2015 Pferdehirt ..... D11/220  
D731,358 S \* 6/2015 Mello ..... D11/220  
D735,449 S \* 8/2015 Perna ..... D2/891  
D736,514 S \* 8/2015 Lach ..... D2/978  
2002/0069487 A1 \* 6/2002 Mei ..... A41F 9/007  
24/3.1  
2006/0218695 A1 \* 10/2006 Boos ..... A41F 1/002  
2/129  
2010/0306972 A1 \* 12/2010 Miltner ..... A45F 5/02  
24/457  
2011/0176863 A1 \* 7/2011 Hanley ..... B60R 13/0206  
403/267  
2011/0240493 A1 \* 10/2011 Adams ..... A45C 13/1069  
206/216  
2012/0227163 A1 \* 9/2012 Schottenstein ..... A41B 3/06  
2/255  
2014/0090873 A1 \* 4/2014 Metras ..... H01R 13/60  
174/135  
2014/0137314 A1 \* 5/2014 Needham ..... A41F 19/005  
2/336  
2015/0296905 A1 \* 10/2015 Kilgore ..... A41D 25/04  
2/244

OTHER PUBLICATIONS

“Strap clip” Accessed: Feb. 10, 2016. My Badges. <http://www.mybadges.com/conference-id/name-badge-holders-name-tags/badge-attachments/>.  
\*  
“US Wings Vintage Goatskin Leather Flight Jacket Modern A-2” Accessed: Feb. 11, 2016. US Wings. <http://www.uswings.com/product/vintage-leather-flight-jacket-modern-a-2/>.  
\*

\* cited by examiner

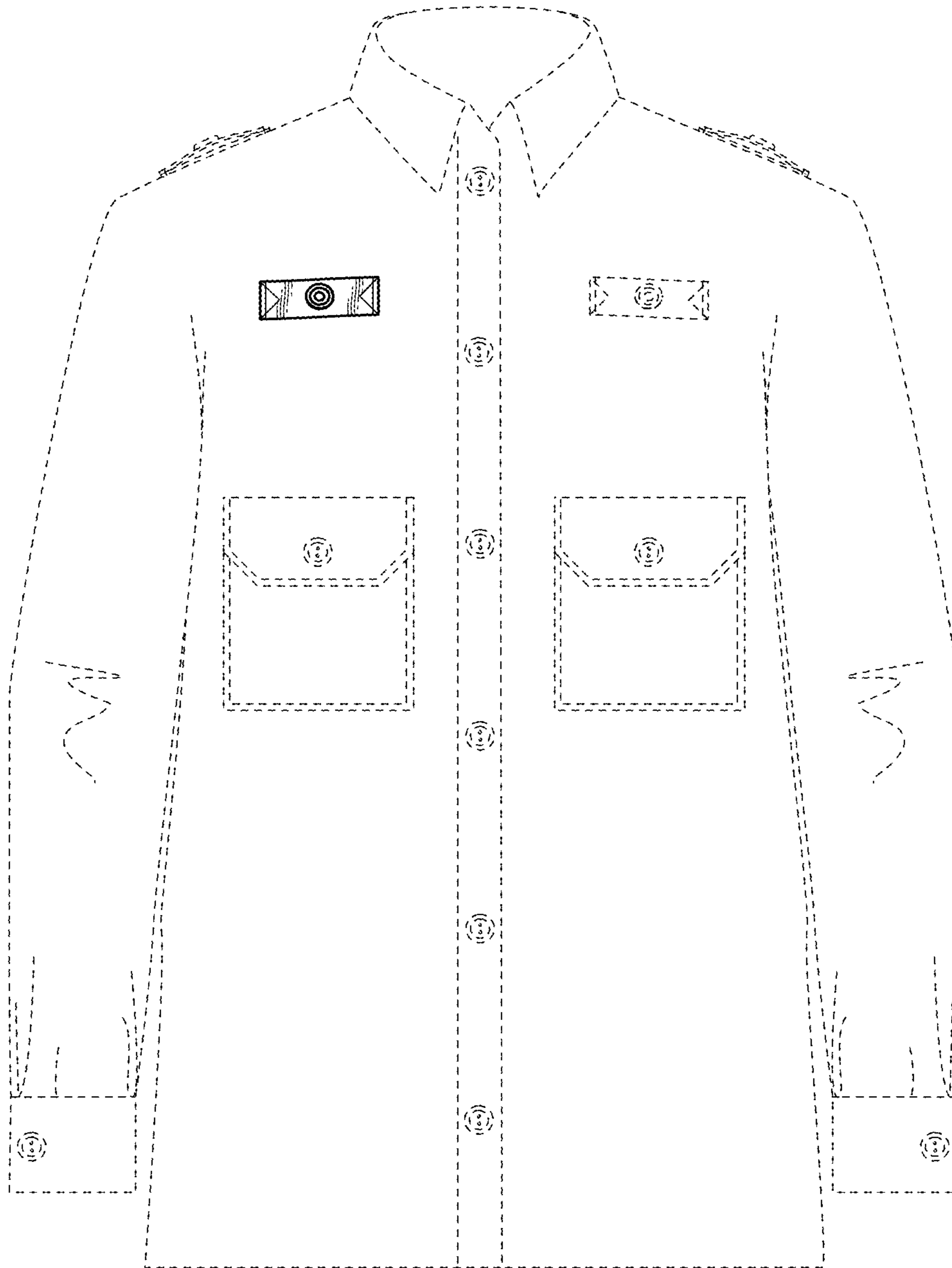


FIG. 1

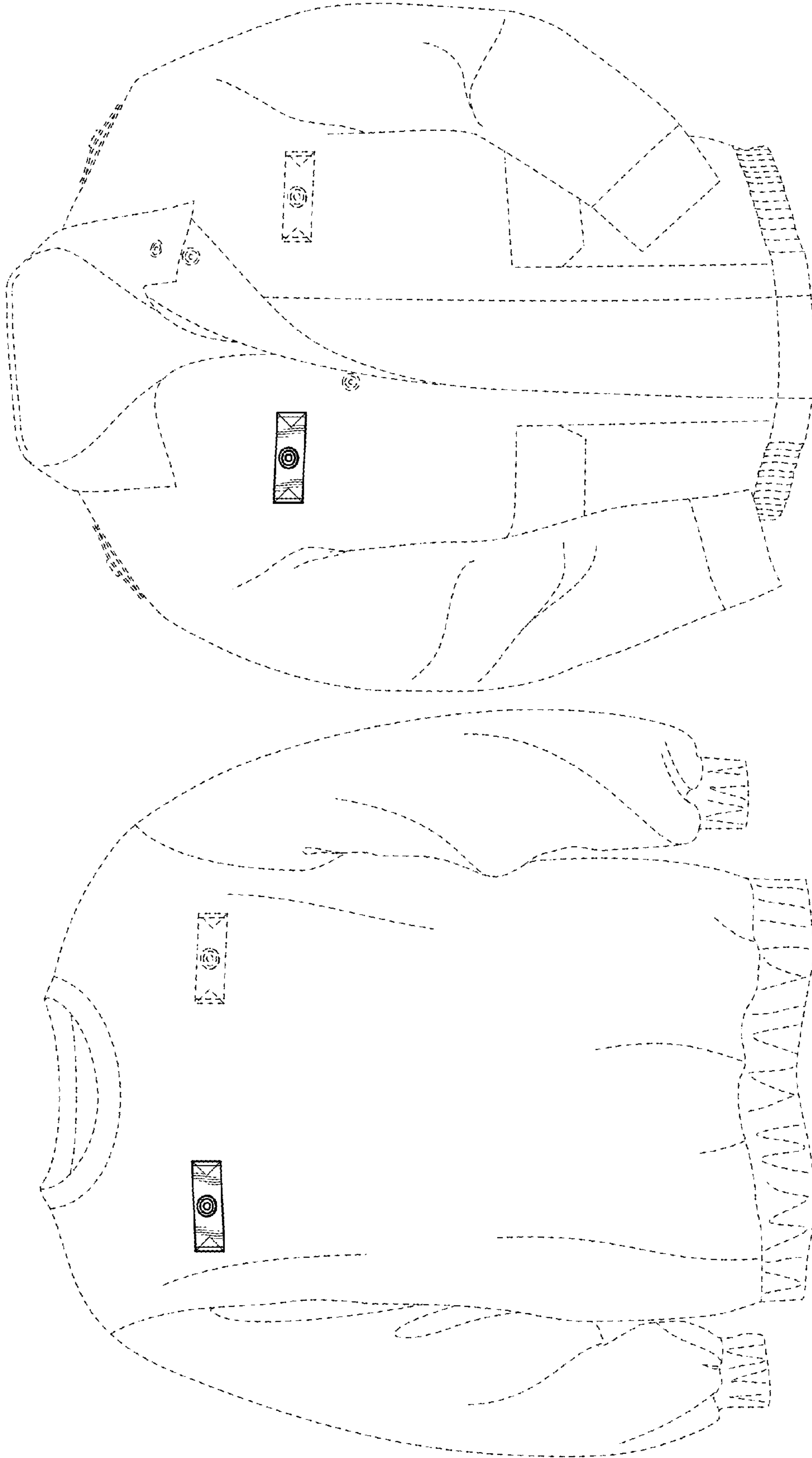


FIG. 3

FIG. 2

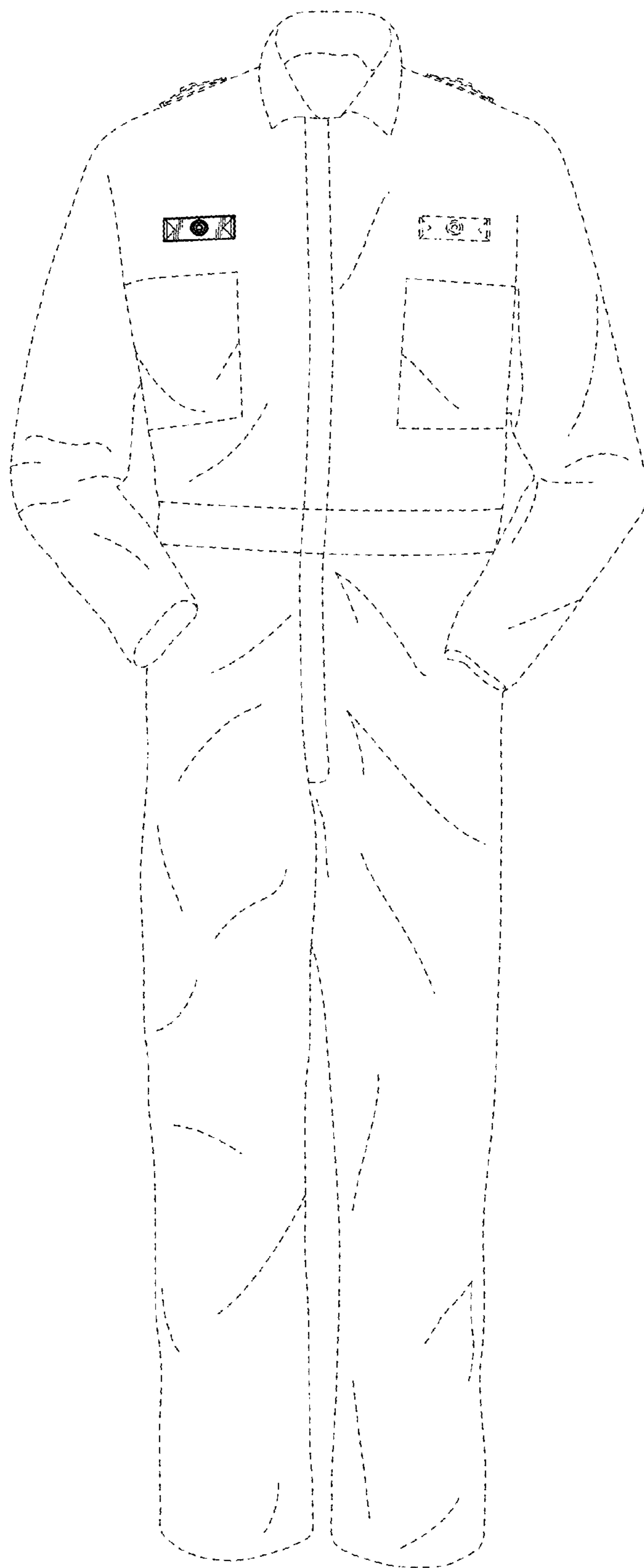


FIG. 4

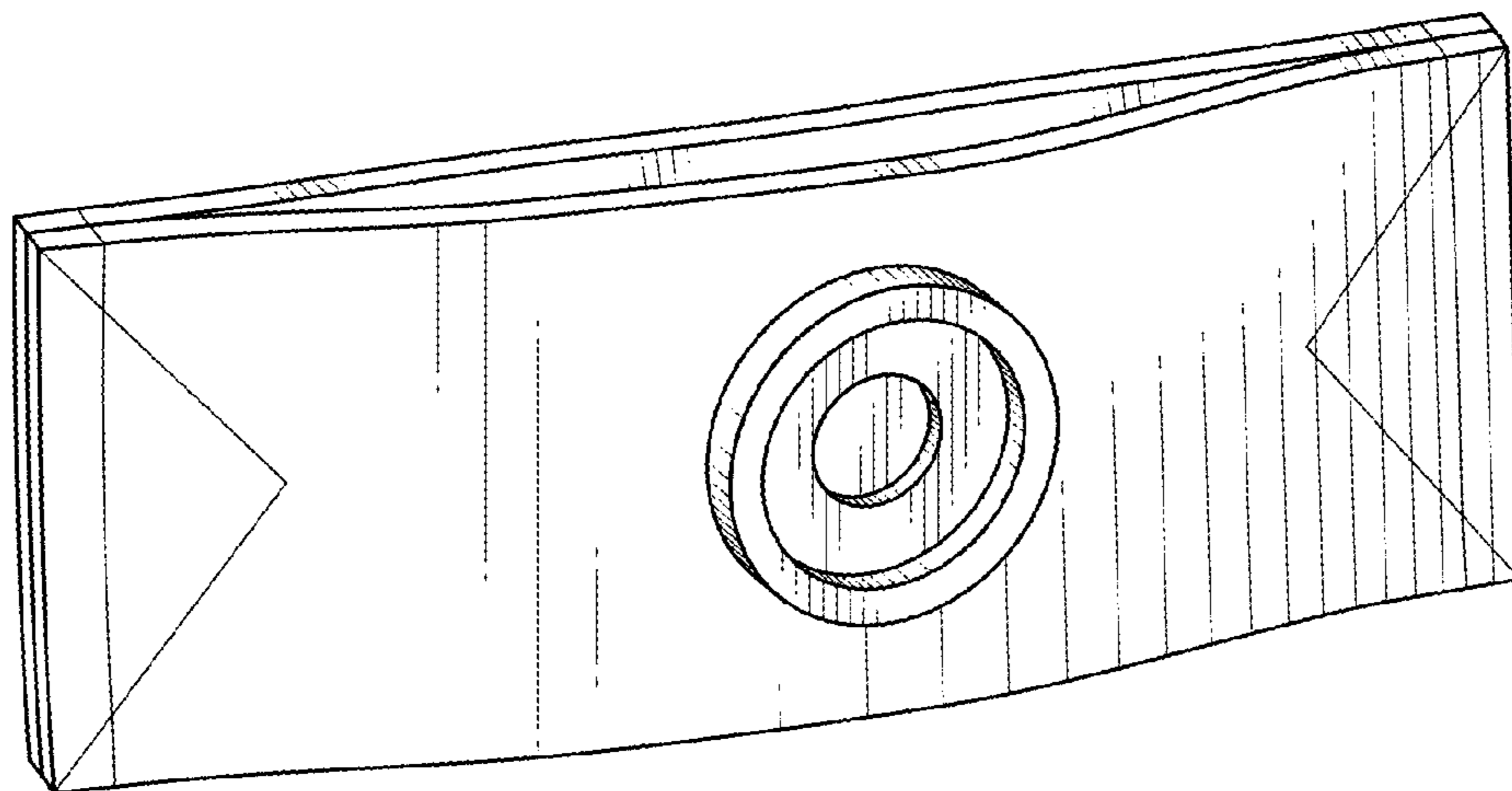


FIG. 5

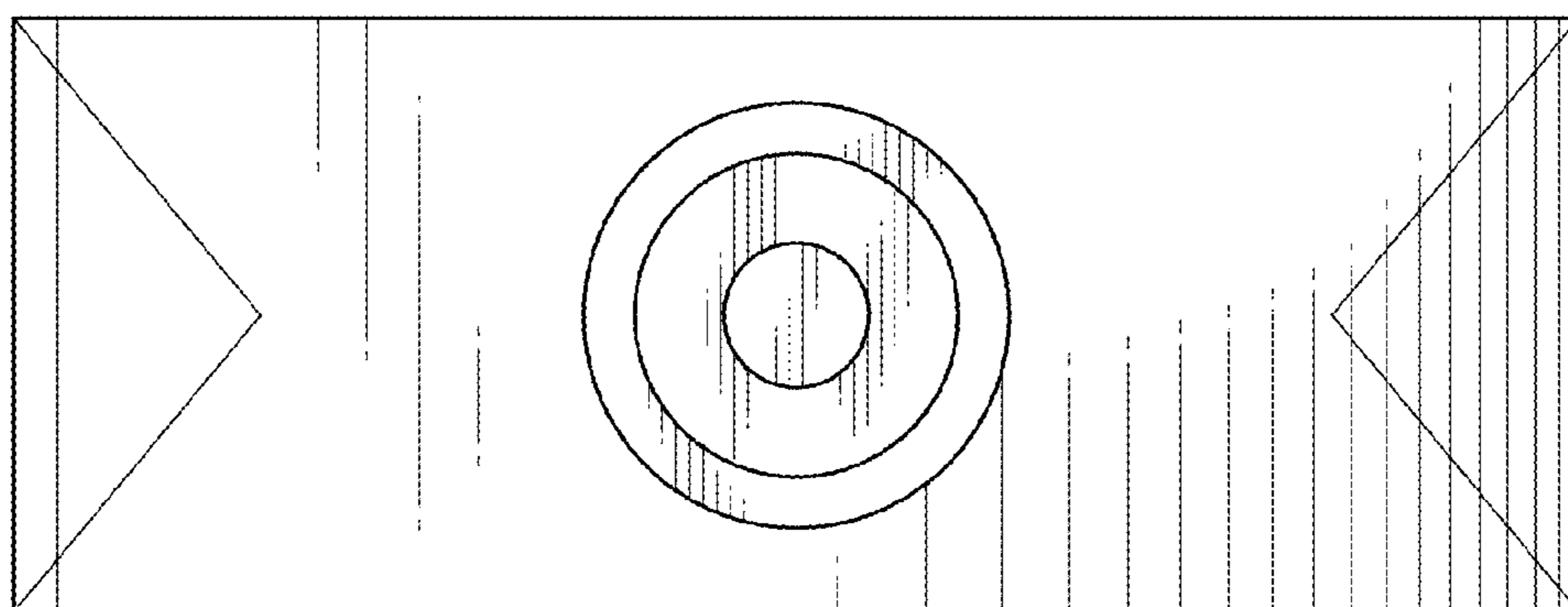


FIG. 6

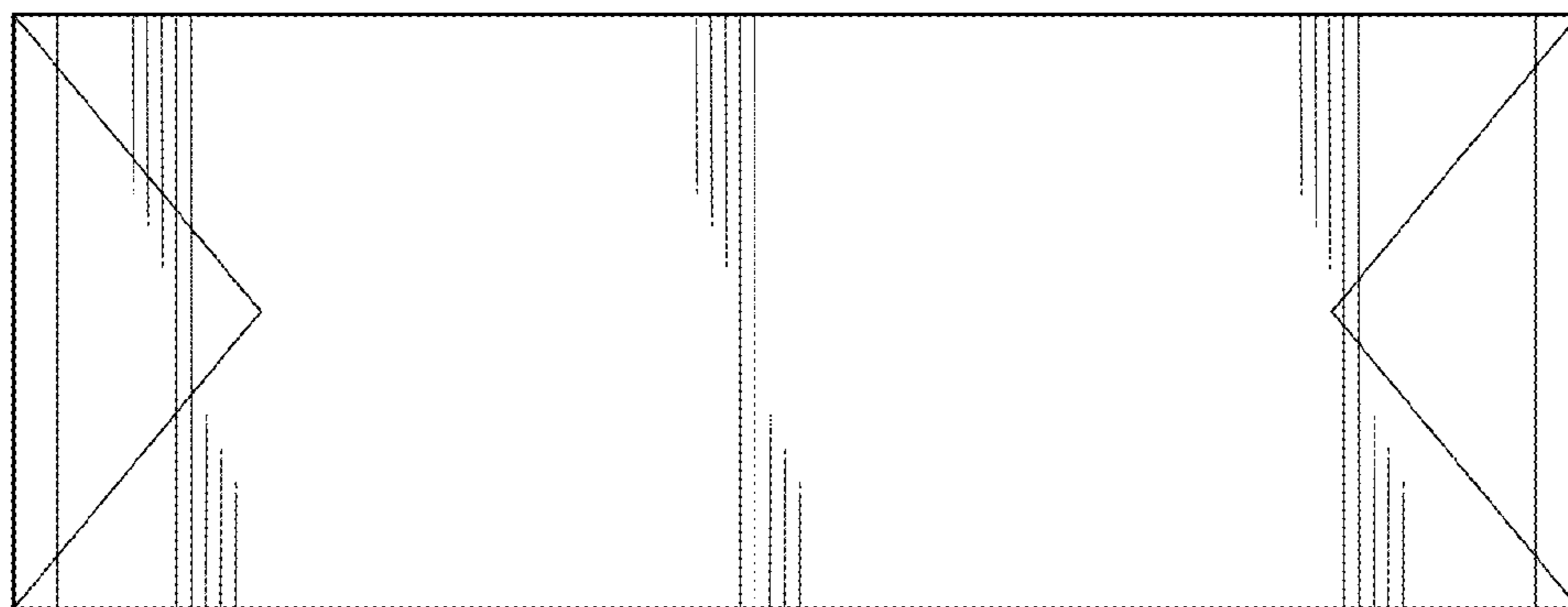


FIG. 7

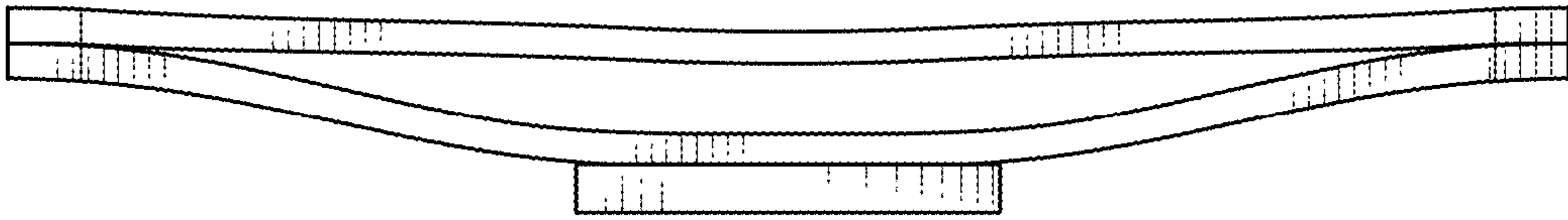


FIG. 8

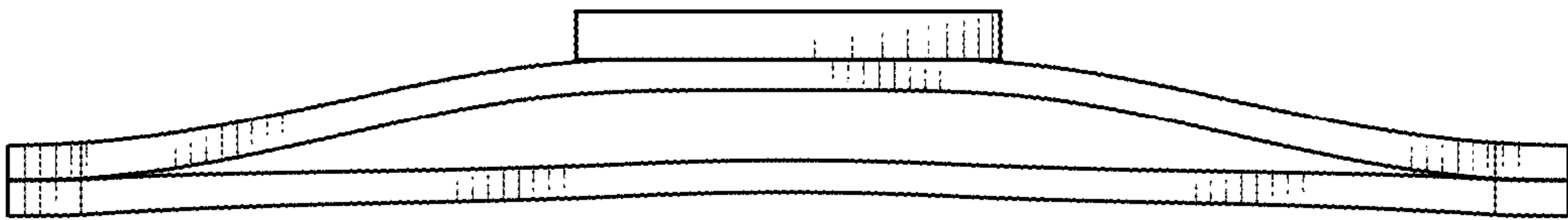


FIG. 9

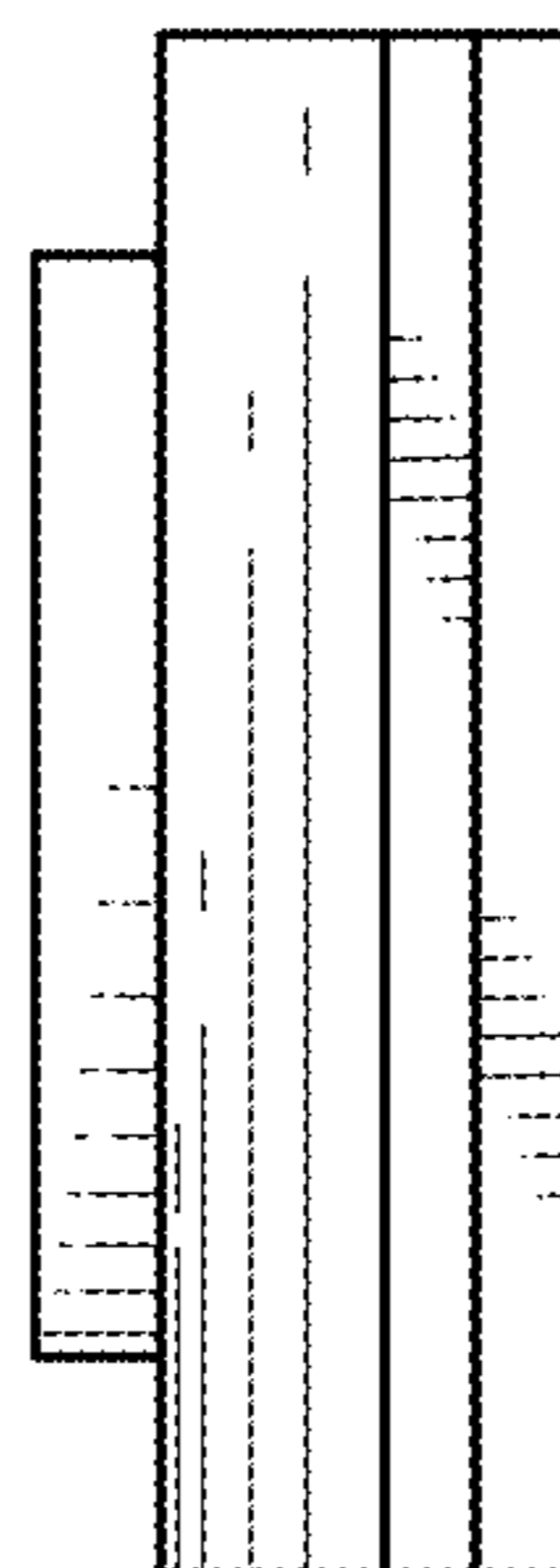


FIG. 10