



US00D766544S

(12) **United States Design Patent**  
**Wyant**

(10) **Patent No.:** **US D766,544 S**

(45) **Date of Patent:** **\*\* Sep. 20, 2016**

(54) **BOOT REMOVER**

(71) Applicant: **Ronald Wyant**, Columbia, LA (US)

(72) Inventor: **Ronald Wyant**, Columbia, LA (US)

(\*\*) Term: **14 Years**

(21) Appl. No.: **29/508,795**

(22) Filed: **Nov. 11, 2014**

(51) **LOC (10) Cl.** ..... **07-99**

(52) **U.S. Cl.**  
USPC ..... **D2/642**

(58) **Field of Classification Search**  
USPC ..... D2/641-643; D6/686  
CPC .... A44B 99/005; A47G 25/80; A47G 25/82;  
A47G 25/84; A47G 25/845; A47G 25/86;  
A47G 25/904; A47G 25/907; A47G 25/92  
See application file for complete search history.

(56) **References Cited**

**U.S. PATENT DOCUMENTS**

- 231,529 A \* 8/1880 Boyington ..... A47C 7/52  
223/115
- 453,737 A \* 6/1891 De Golier ..... A47G 25/80  
223/115
- D34,456 S \* 4/1901 Consolla ..... D2/642
- D156,537 S \* 12/1949 Kent et al. .... 211/90.01
- 2,517,183 A \* 8/1950 Dunn ..... A47B 5/04  
108/134
- 5,865,710 A \* 2/1999 Wilson-Hyde ..... A63B 23/0458  
297/214
- D420,203 S \* 2/2000 Watkins ..... D2/642

- D594,183 S \* 6/2009 Sagedy ..... D2/642
- D736,017 S \* 8/2015 Rose ..... D6/686
- 2011/0089203 A1\* 4/2011 McNair ..... A47G 25/86  
223/114

\* cited by examiner

*Primary Examiner* — Celia Murphy

*Assistant Examiner* — Clare Ann Gannon

(74) *Attorney, Agent, or Firm* — Husch Blackwell LLP;  
Edward D. Manzo; George S. Pavlik

(57) **CLAIM**

The ornamental design for a boot remover, as shown and described.

**DESCRIPTION**

FIG. 1 is a perspective view of a boot remover showing my new design in an open position in a state of use on a wall and floor;

FIG. 2 is a left side view thereof;

FIG. 3 is a right side view thereof;

FIG. 4 is a front view thereof;

FIG. 5 is a rear view thereof;

FIG. 6 is a top view thereof;

FIG. 7 is a bottom view thereof;

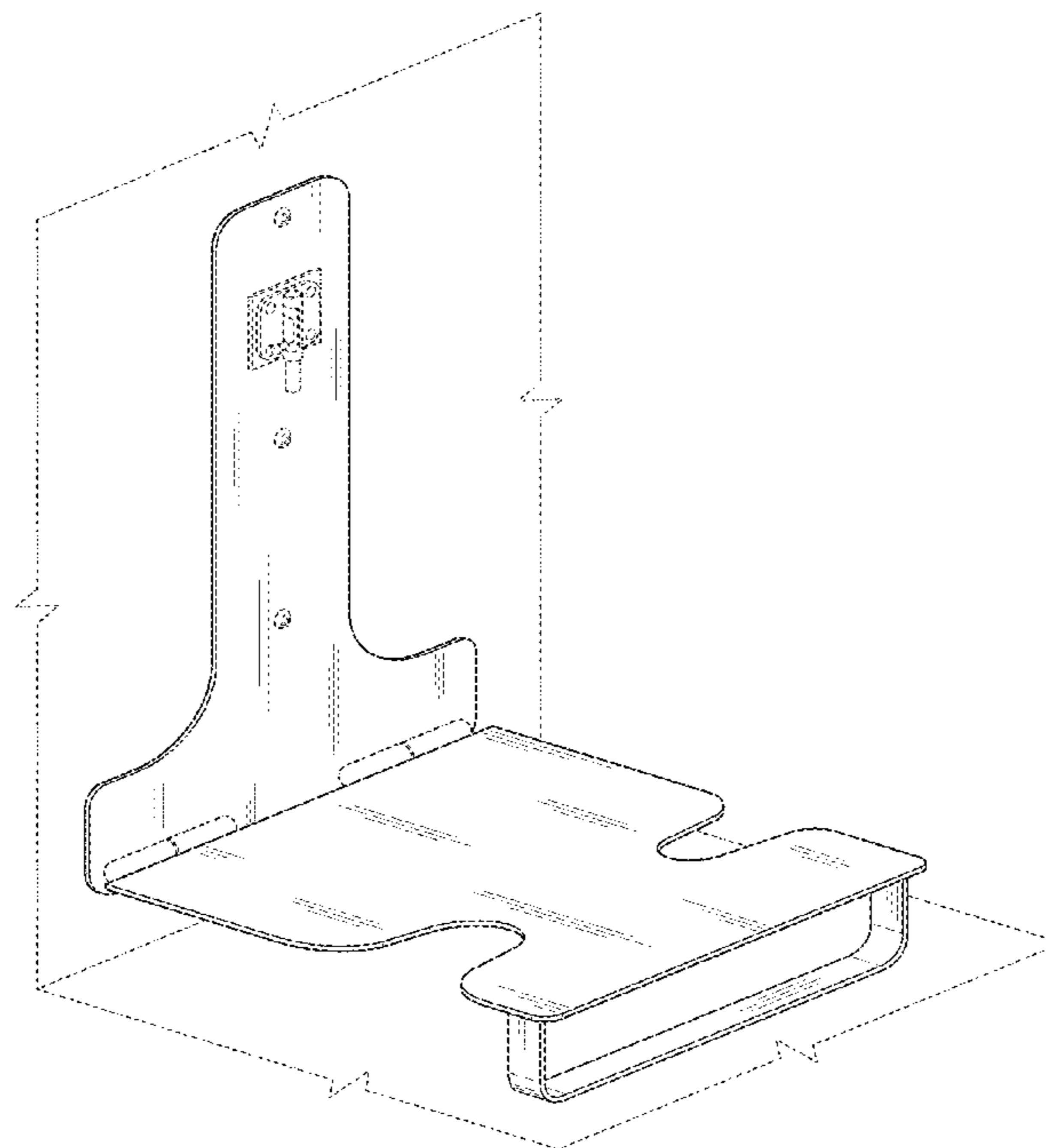
FIG. 8 is a perspective view thereof, in a closed position in a state of use on a wall;

FIG. 9 is a left side view thereof; and,

FIG. 10 is a front view thereof.

The broken lines showing the wall and floor in FIGS. 1 and 8 illustrate environmental subject matter, and other broken lines illustrate portions of the boot remover that form no part of the claimed design.

**1 Claim, 9 Drawing Sheets**



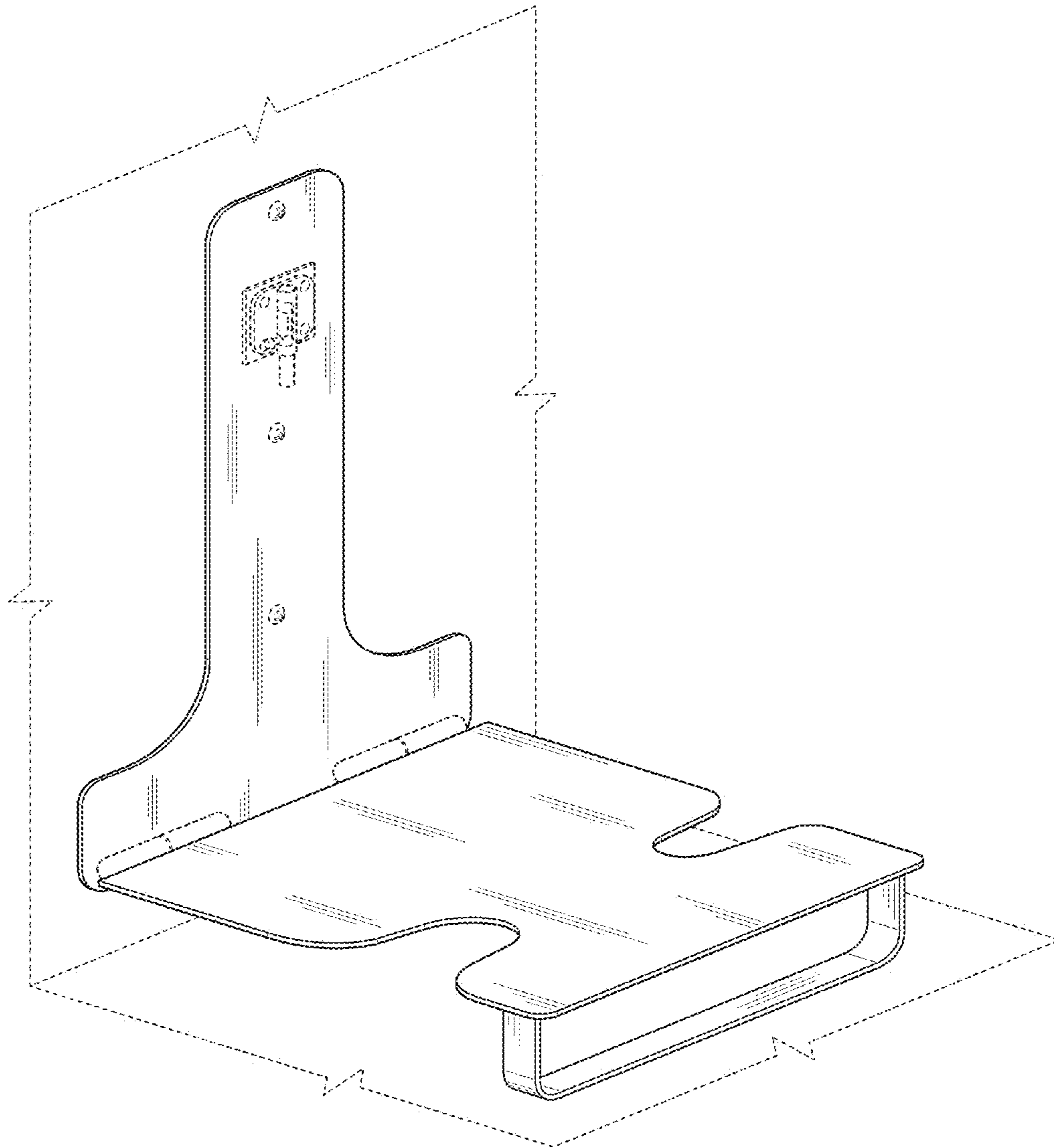


FIG. 1

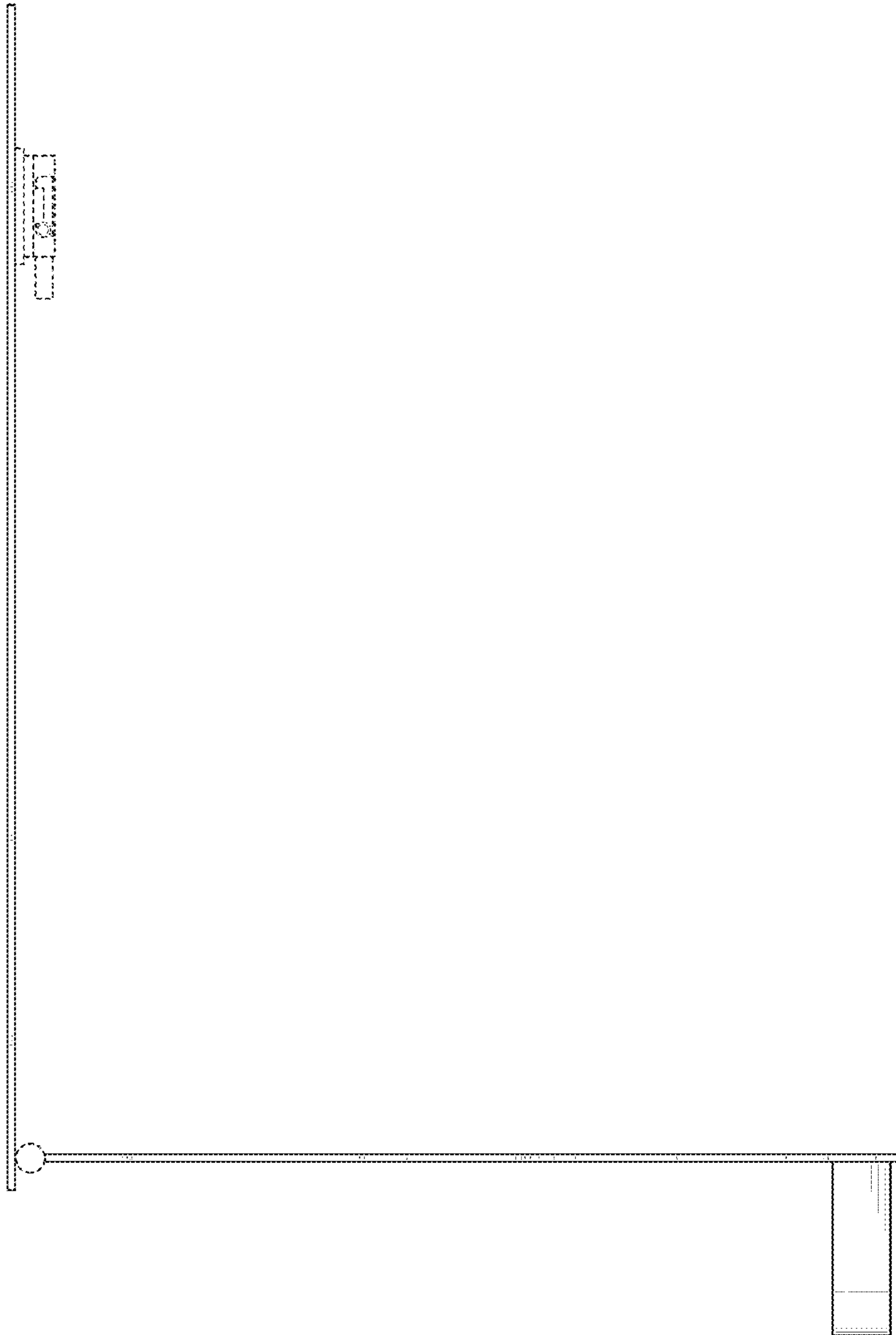


FIG. 2

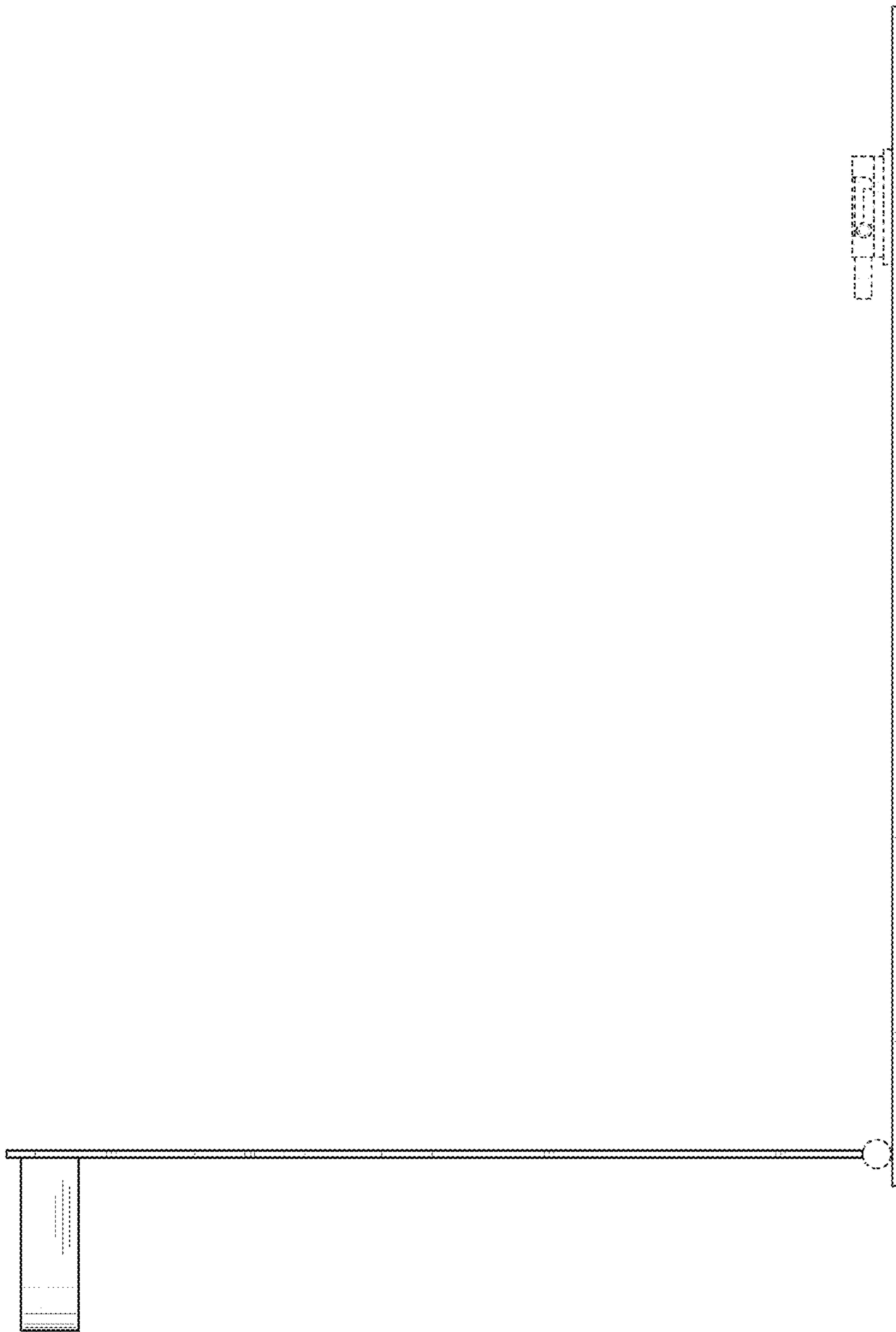


FIG. 3

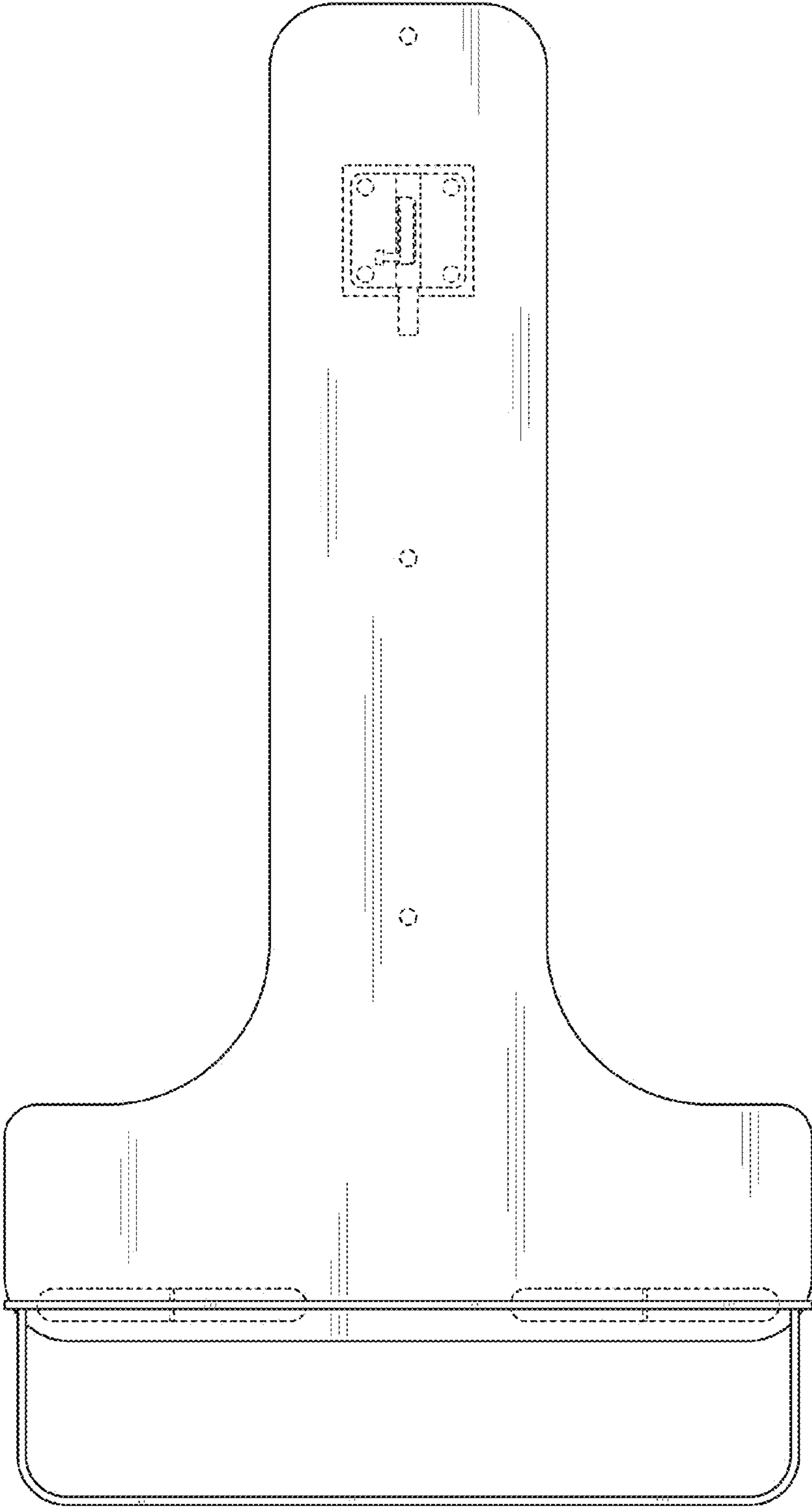


FIG. 4

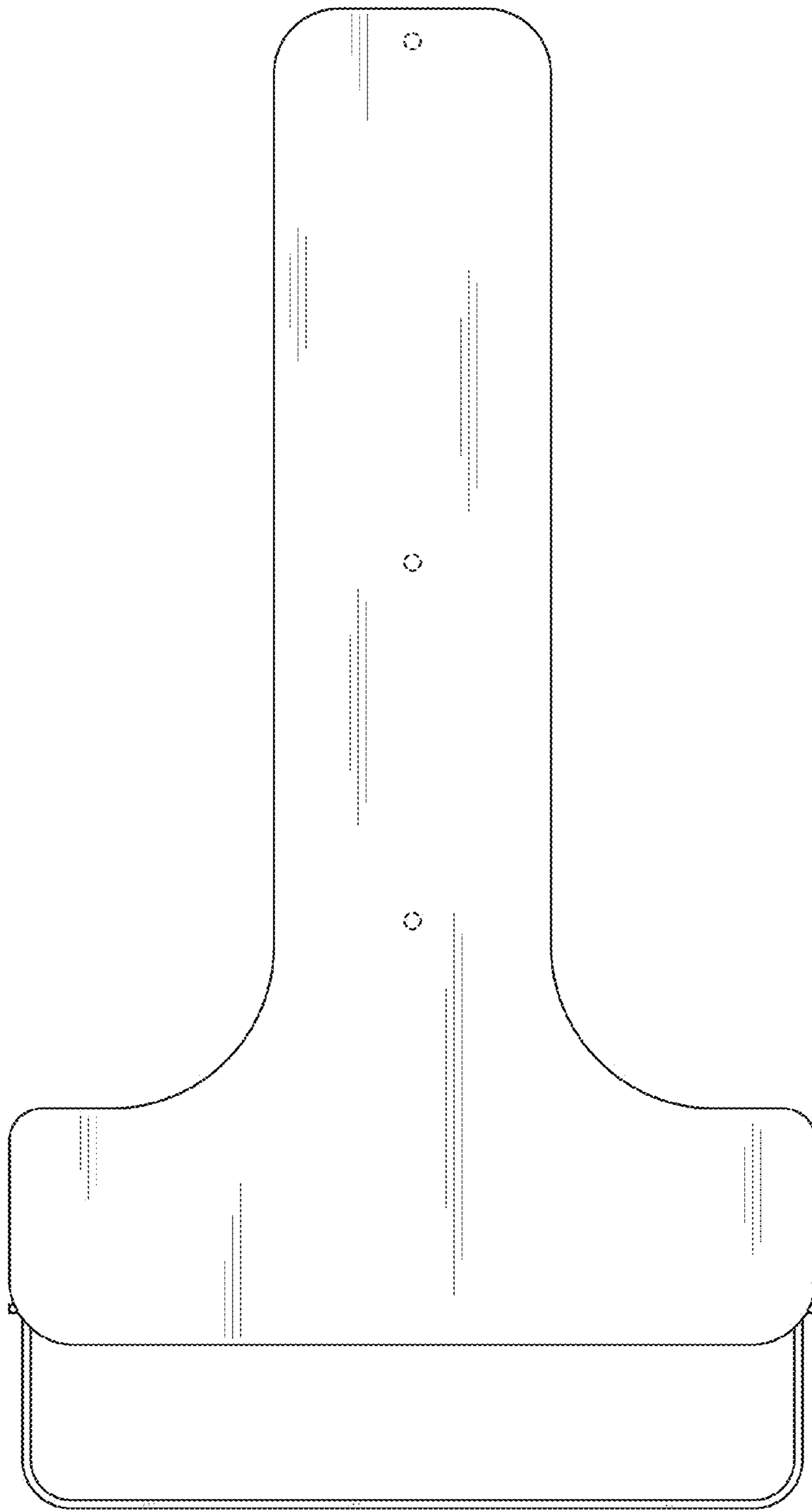


FIG. 5

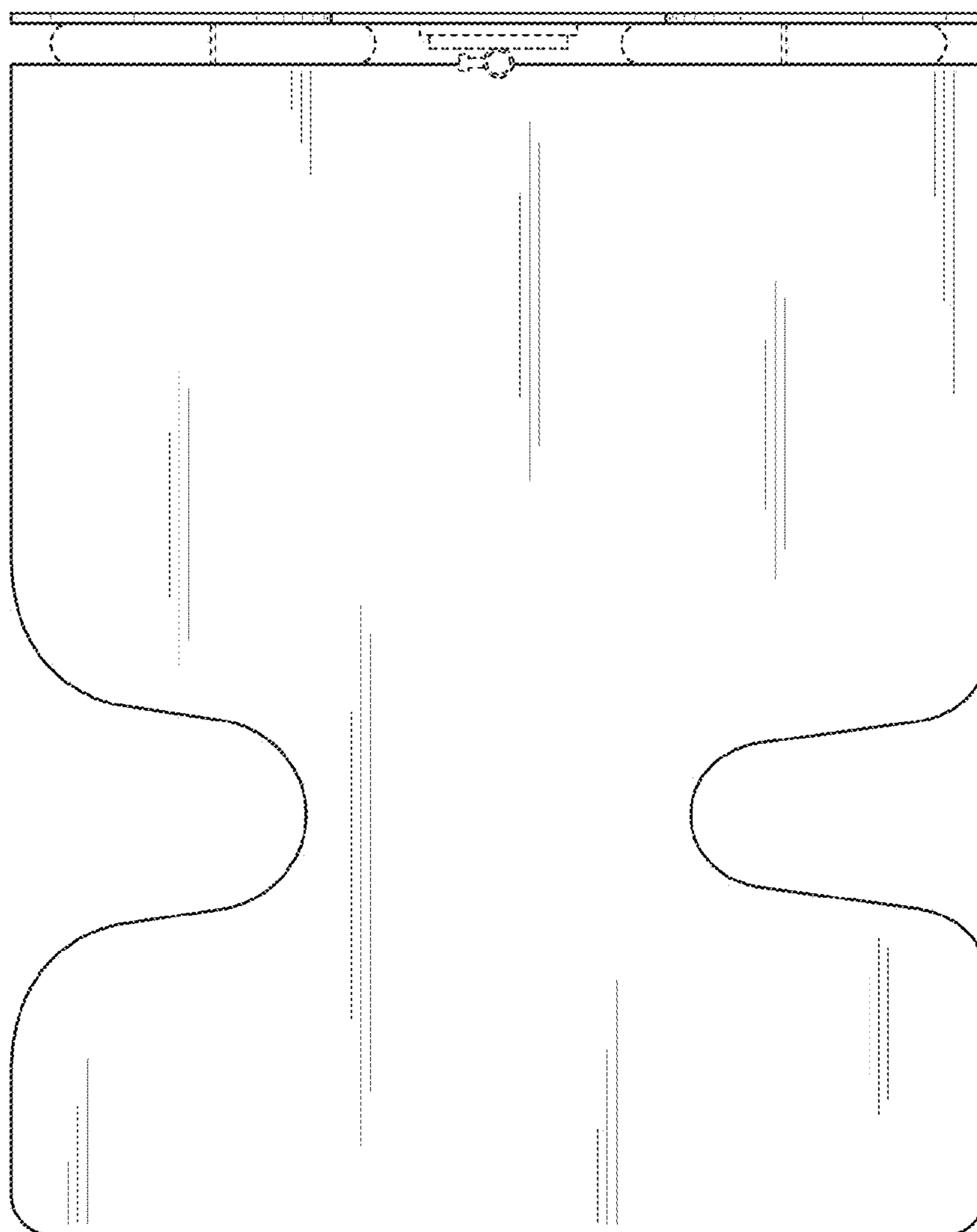


FIG. 6

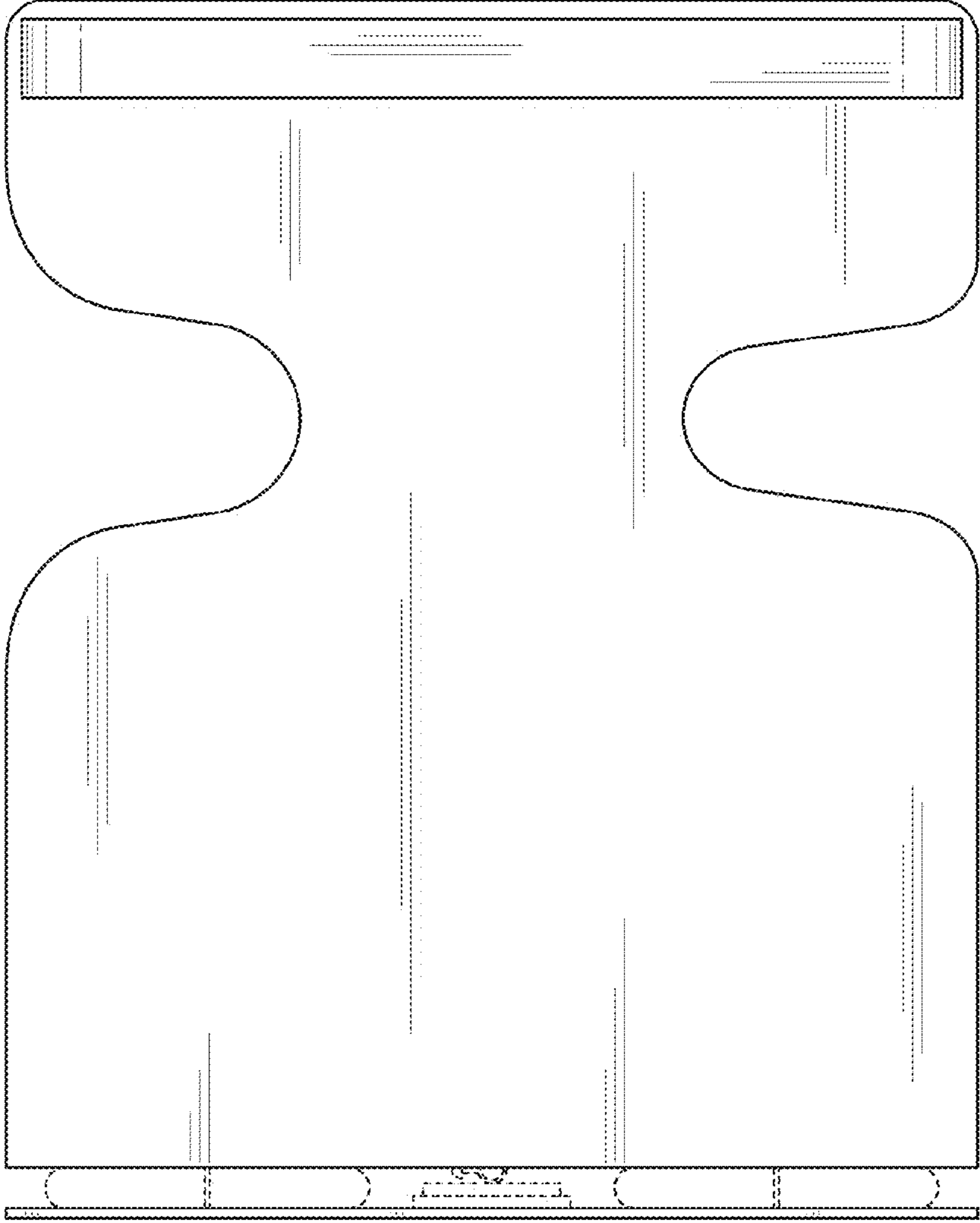


FIG. 7



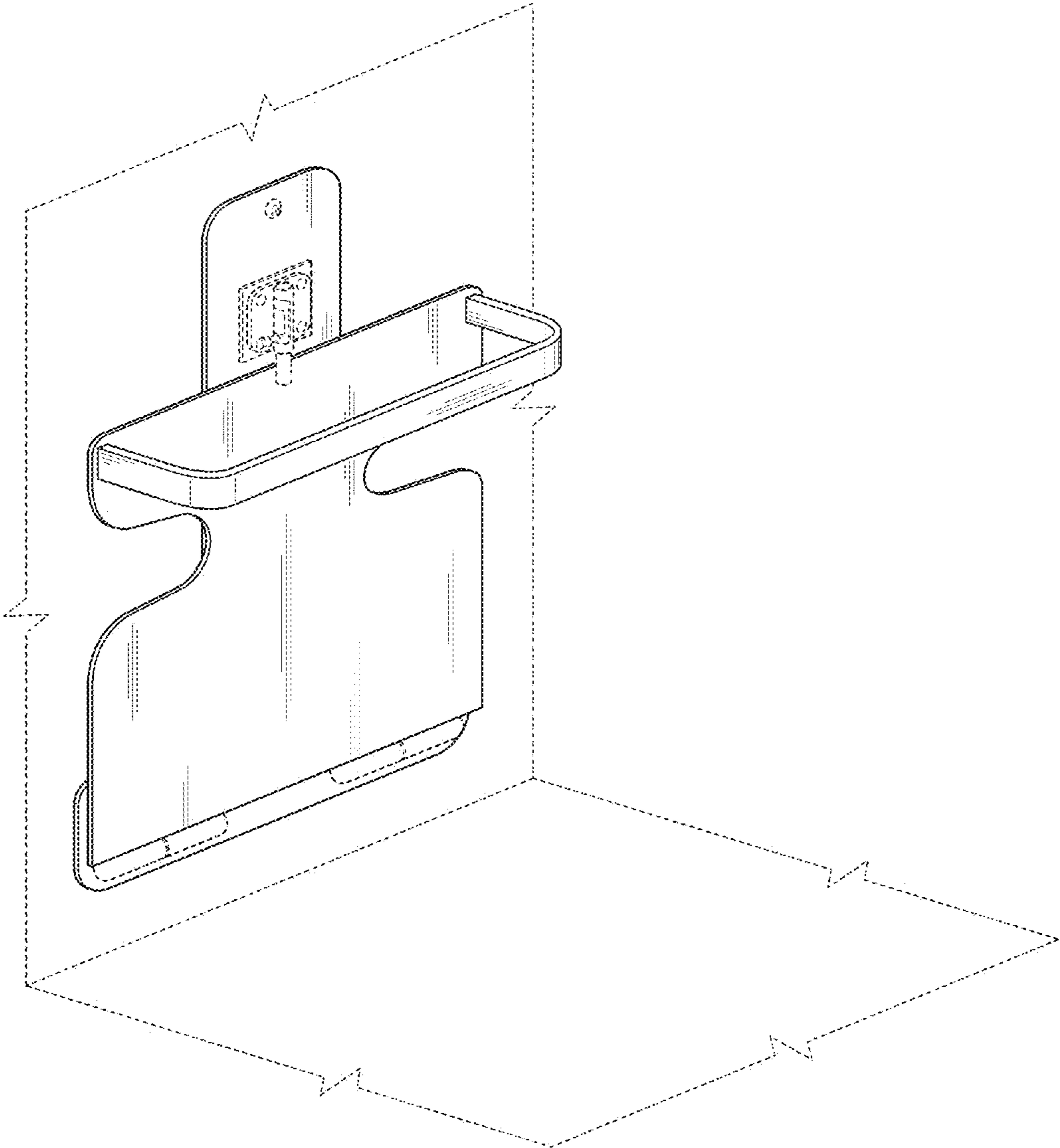


FIG. 8

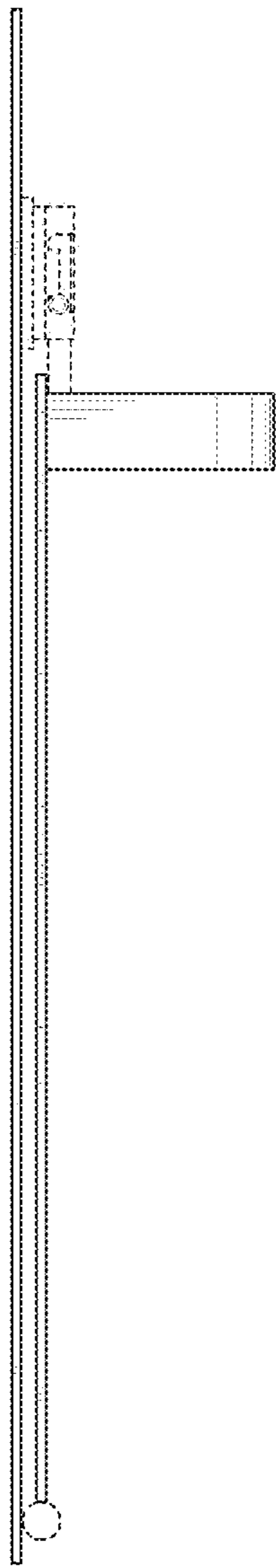


FIG. 9

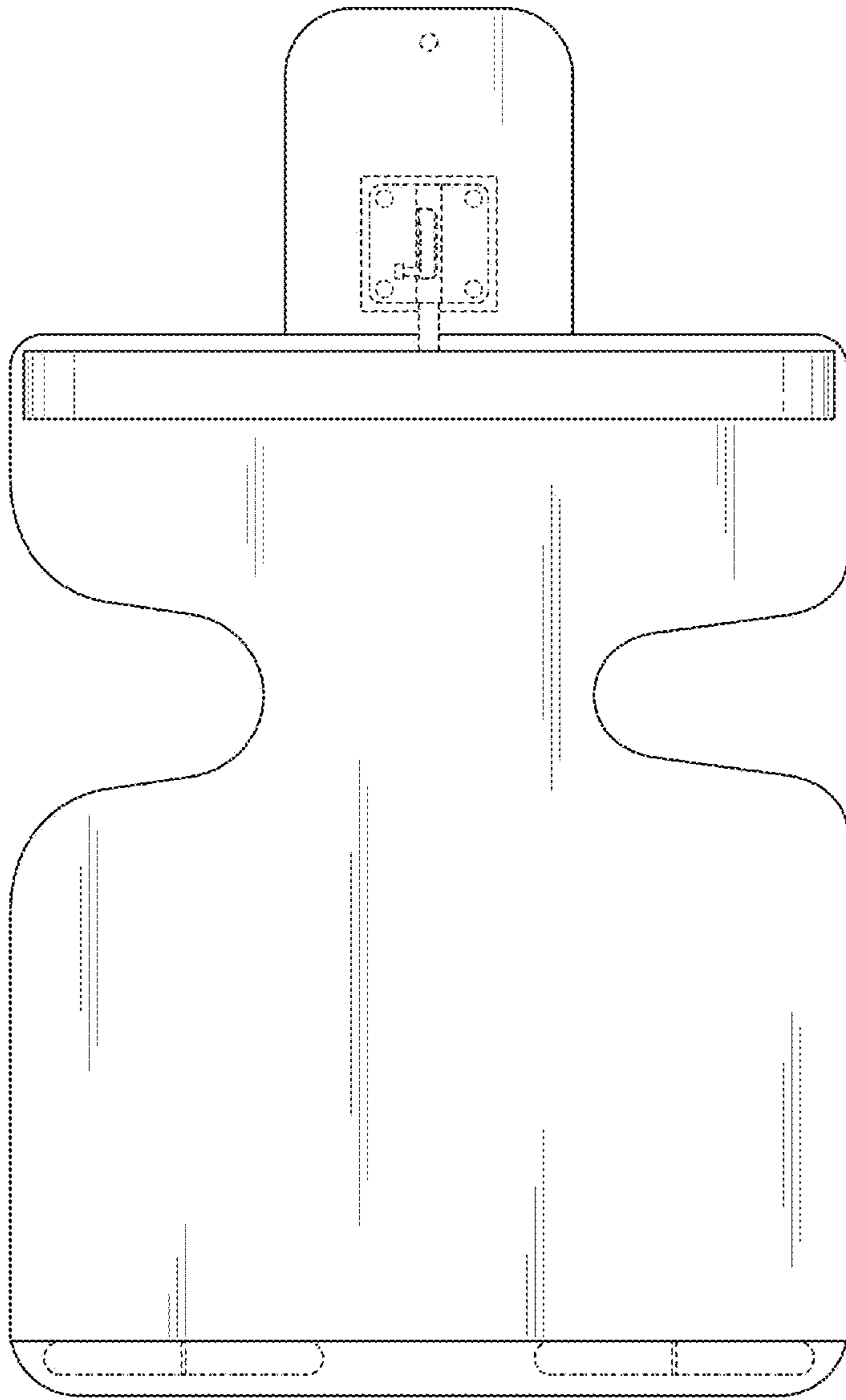


FIG. 10