

US00D766541S

(12) **United States Design Patent** (10) **Patent No.:** **US D766,541 S**
Melkonyan et al. (45) **Date of Patent:** **** Sep. 20, 2016**

(54) **FALAFEL**
(71) Applicants: **Avag Melkonyan**, Winnetka, CA (US);
Sarkis Cherkesyanyan, Los Angeles, CA (US)
(72) Inventors: **Avag Melkonyan**, Winnetka, CA (US);
Sarkis Cherkesyanyan, Los Angeles, CA (US)
(**) Term: **15 Years**

D452,350 S * 12/2001 Huang D28/76
6,344,224 B1 * 2/2002 Bazzaro A01K 39/0106
119/51.03
D456,536 S * 4/2002 Araujo D26/6
D500,579 S * 1/2005 Tansey D1/199
D575,612 S * 8/2008 Clampitt, Jr. D8/83
D634,075 S * 3/2011 Tsai D28/87
D649,740 S * 12/2011 Bredin D1/125
D666,786 S * 9/2012 Bostick D1/106
D725,867 S * 4/2015 Mathew D1/115
D728,193 S * 5/2015 Mathew D1/115
2011/0076363 A1 * 3/2011 Niehues A23L 1/0079
426/89

(21) Appl. No.: **29/536,158**
(22) Filed: **Aug. 13, 2015**
(51) **LOC (10) Cl.** **01-01**
(52) **U.S. Cl.**
USPC **D1/125; D1/115**
(58) **Field of Classification Search**
USPC D1/100-130, 199; 426/5, 76, 87, 92,
426/94, 95, 99, 101, 103, 104, 108, 134,
426/138-139, 143, 144, 279, 282, 283, 391,
426/514, 549, 559, 560, 660, 808; D9/439,
D9/669; D24/130; D6/597, 598, 601;
D21/488-490, 493, 680; D23/366,
D23/386, 415; 239/44; D8/83
CPC A23G 3/50; A23G 3/54; A23G 9/282;
A23G 3/28; A23J 3/26; A23L 1/0067
See application file for complete search history.

* cited by examiner

Primary Examiner — Barbara Fox
Assistant Examiner — Katie S Mroczka
(74) *Attorney, Agent, or Firm* — Trojan Law Offices

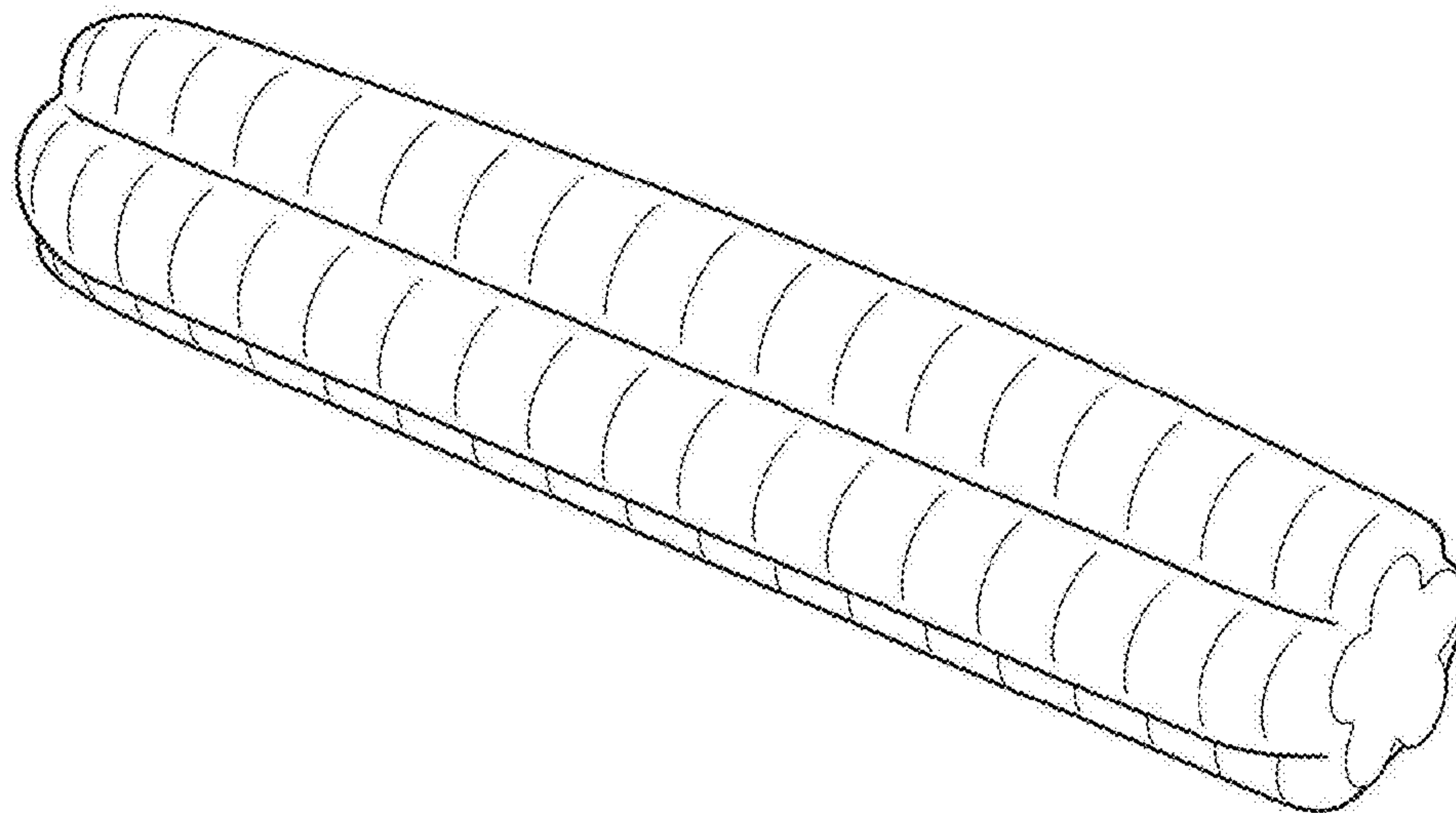
(56) **References Cited**
U.S. PATENT DOCUMENTS
D403,557 S * 1/1999 Kracke D7/613
6,223,921 B1 * 5/2001 Huang A45C 11/24
132/295

(57) **CLAIM**
The ornamental design for a falafel, as shown and described.

DESCRIPTION

FIG. 1 is a perspective view of a falafel showing our new design;
FIG. 2 is a front view of the falafel shown in FIG. 1;
FIG. 3 is a rear view of the falafel shown in FIG. 1;
FIG. 4 is a top view of the falafel shown in FIG. 1;
FIG. 5 is a bottom view of the falafel shown in FIG. 1;
FIG. 6 is a left side view of the falafel shown in FIG. 1; and,
FIG. 7 is a right side view of the falafel shown in FIG. 1.

1 Claim, 3 Drawing Sheets



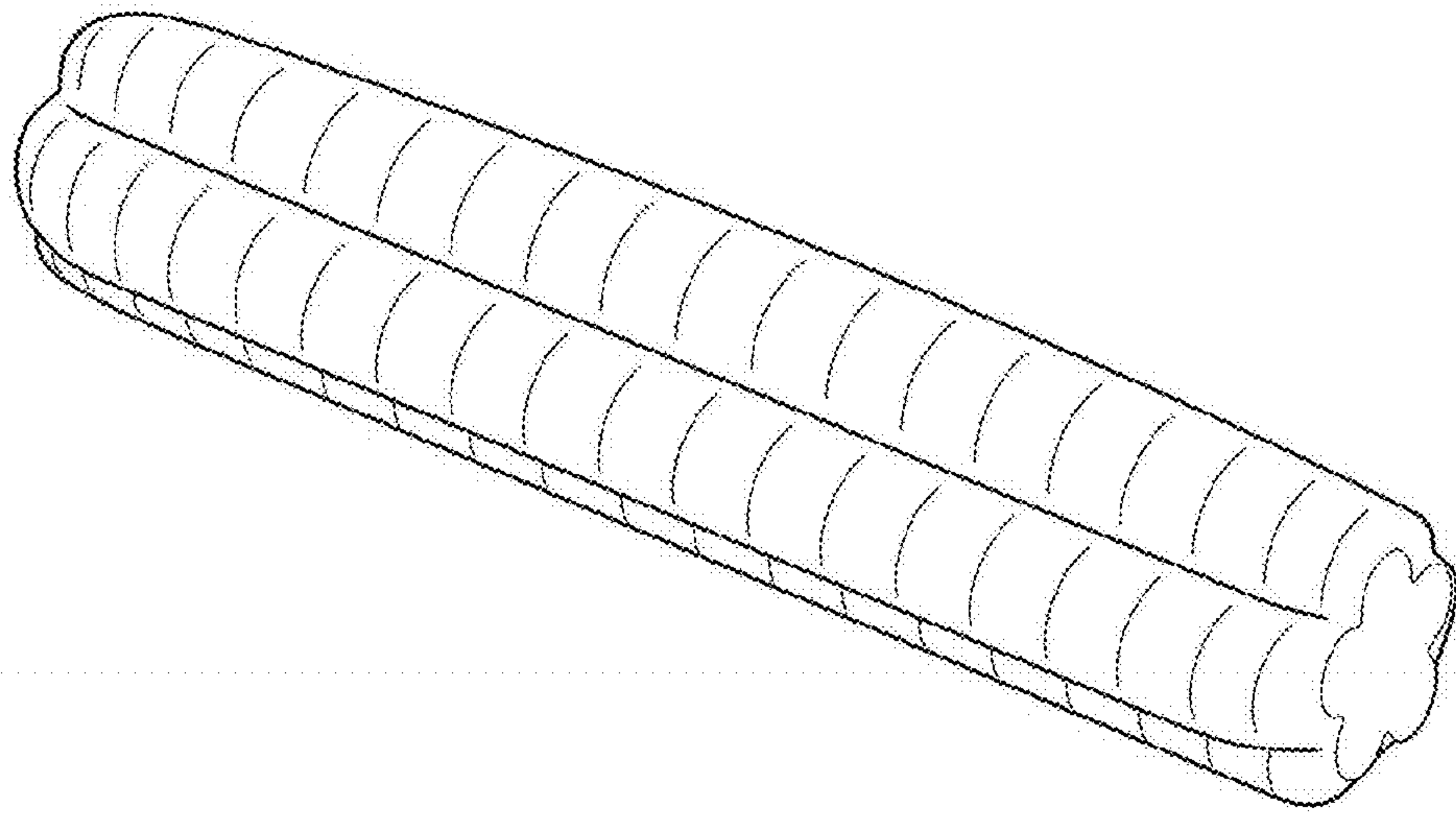


Fig. 1

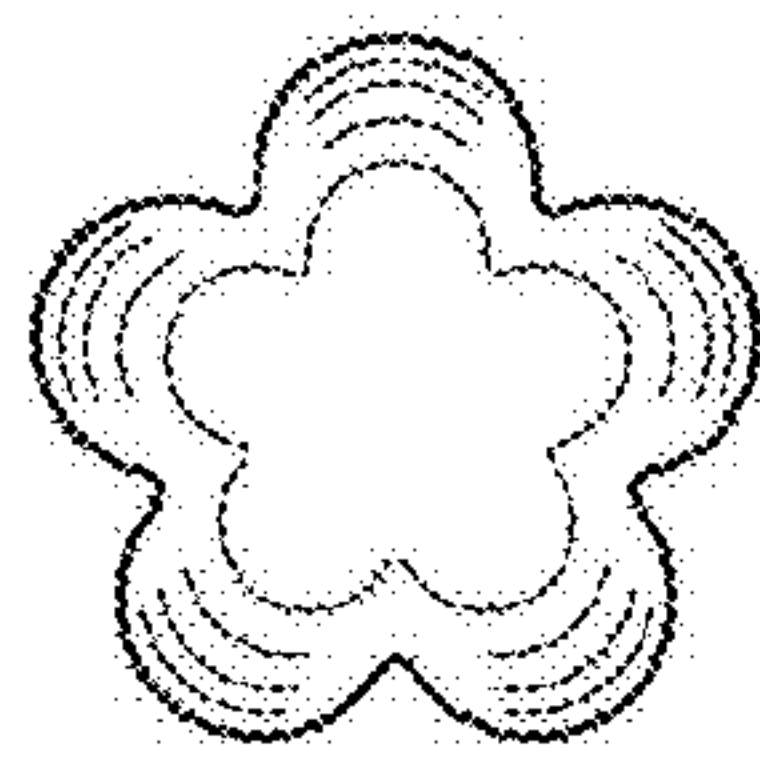


Fig. 2

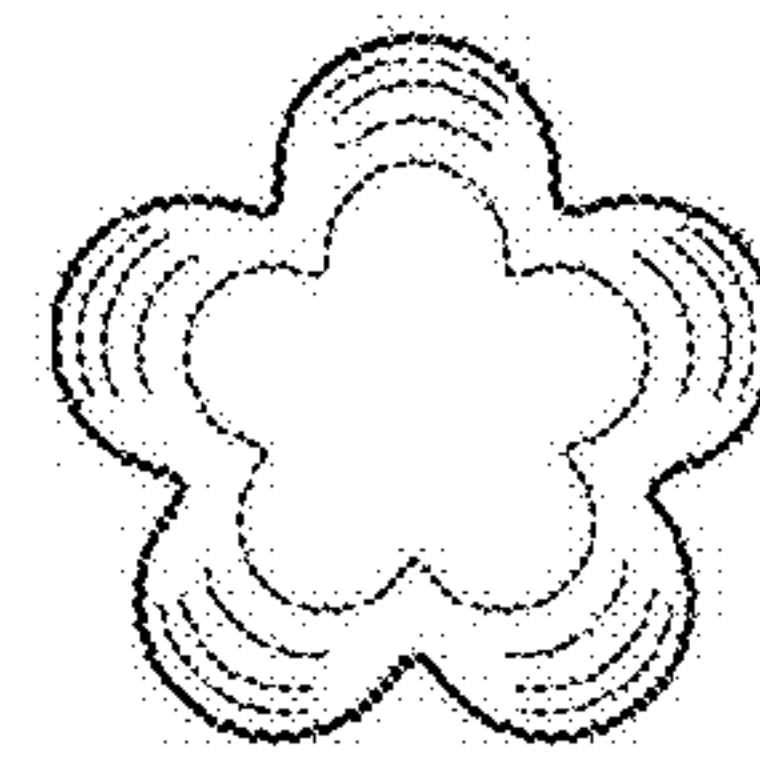


Fig. 3

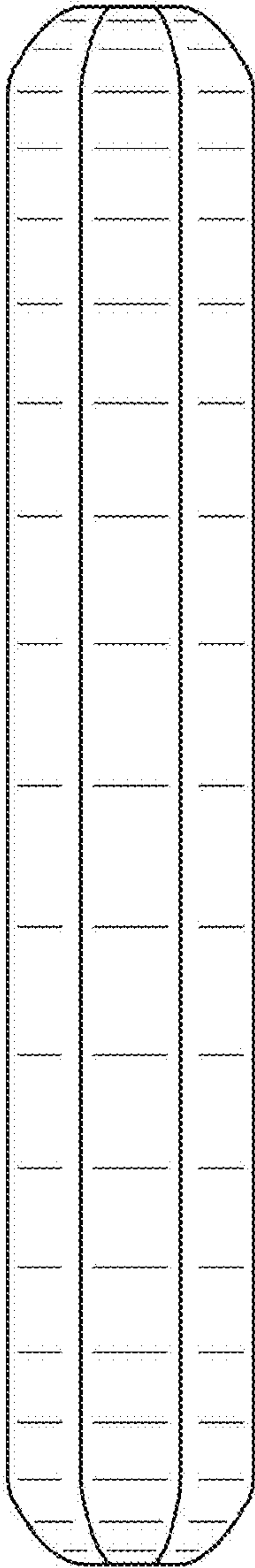


Fig. 4

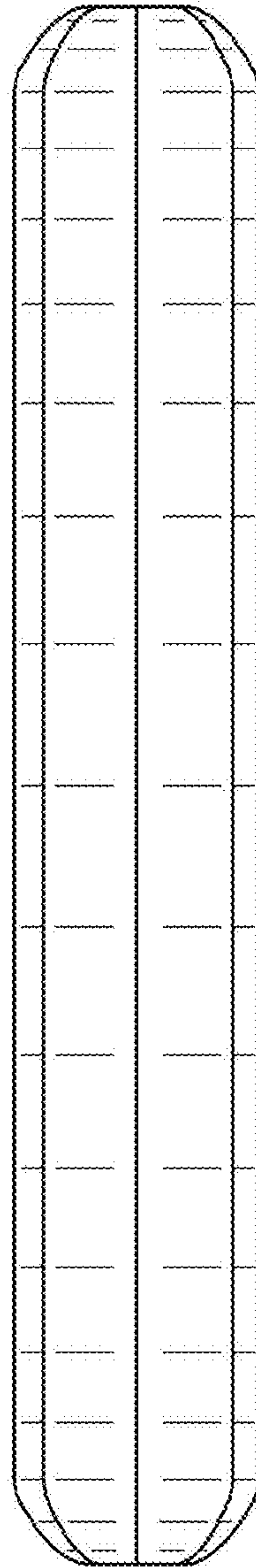


Fig. 5

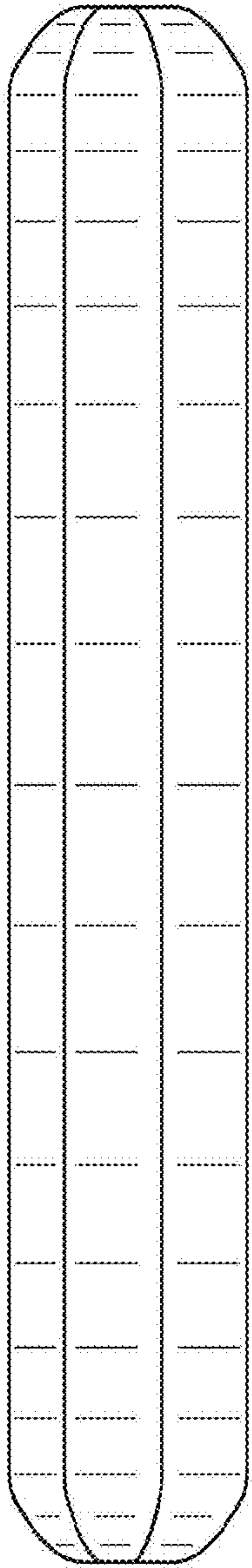


Fig. 6

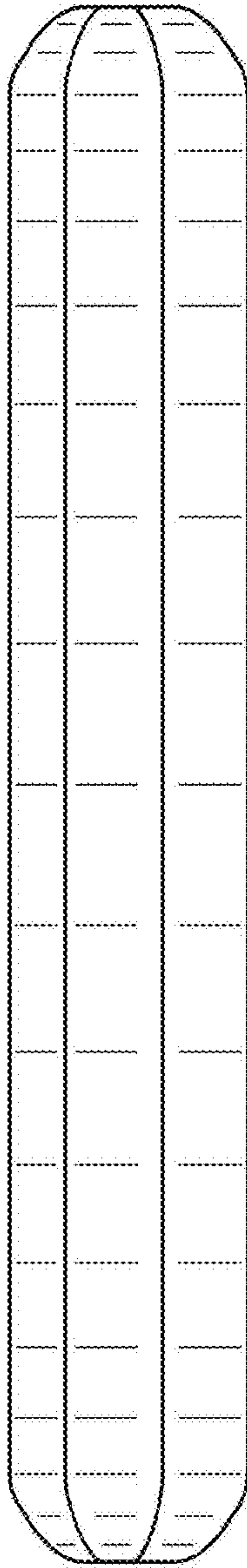


Fig. 7