

US00D766535S

(12) **United States Design Patent** (10) **Patent No.:** **US D766,535 S**
Bors (45) **Date of Patent:** **** Sep. 13, 2016**

(54) **SPHERICAL HAULING DEVICE**
(71) Applicant: **William Bors**, Vermilion, OH (US)
(72) Inventor: **William Bors**, Vermilion, OH (US)
(**) Term: **14 Years**

2004/0050637 A1 3/2004 Scott
2009/0057083 A1* 3/2009 Serrano A45C 5/141
190/18 A
2012/0079972 A1 4/2012 Smith
2014/0096489 A1* 4/2014 Parry D06F 95/002
53/467

(21) Appl. No.: **29/520,129**
(22) Filed: **Mar. 11, 2015**
(51) **LOC (10) Cl.** **09-09**
(52) **U.S. Cl.**
USPC **D34/7; D34/28**
(58) **Field of Classification Search**
USPC D34/1-11, 28; 220/908-911; 280/19,
280/28.12; 383/127
CPC B65F 1/06; B65F 1/1615; B65F 1/1607;
B62B 15/00; B62B 1/12
See application file for complete search history.

FOREIGN PATENT DOCUMENTS

WO WO8403821 10/1984
WO WO9520553 8/1995
WO WO0238000 5/2002

* cited by examiner

Primary Examiner — Cynthia Ramirez
(74) *Attorney, Agent, or Firm* — Goldstein Law Offices, P.C.

(57) **CLAIM**
The ornamental design for a spherical hauling device, as shown and described.

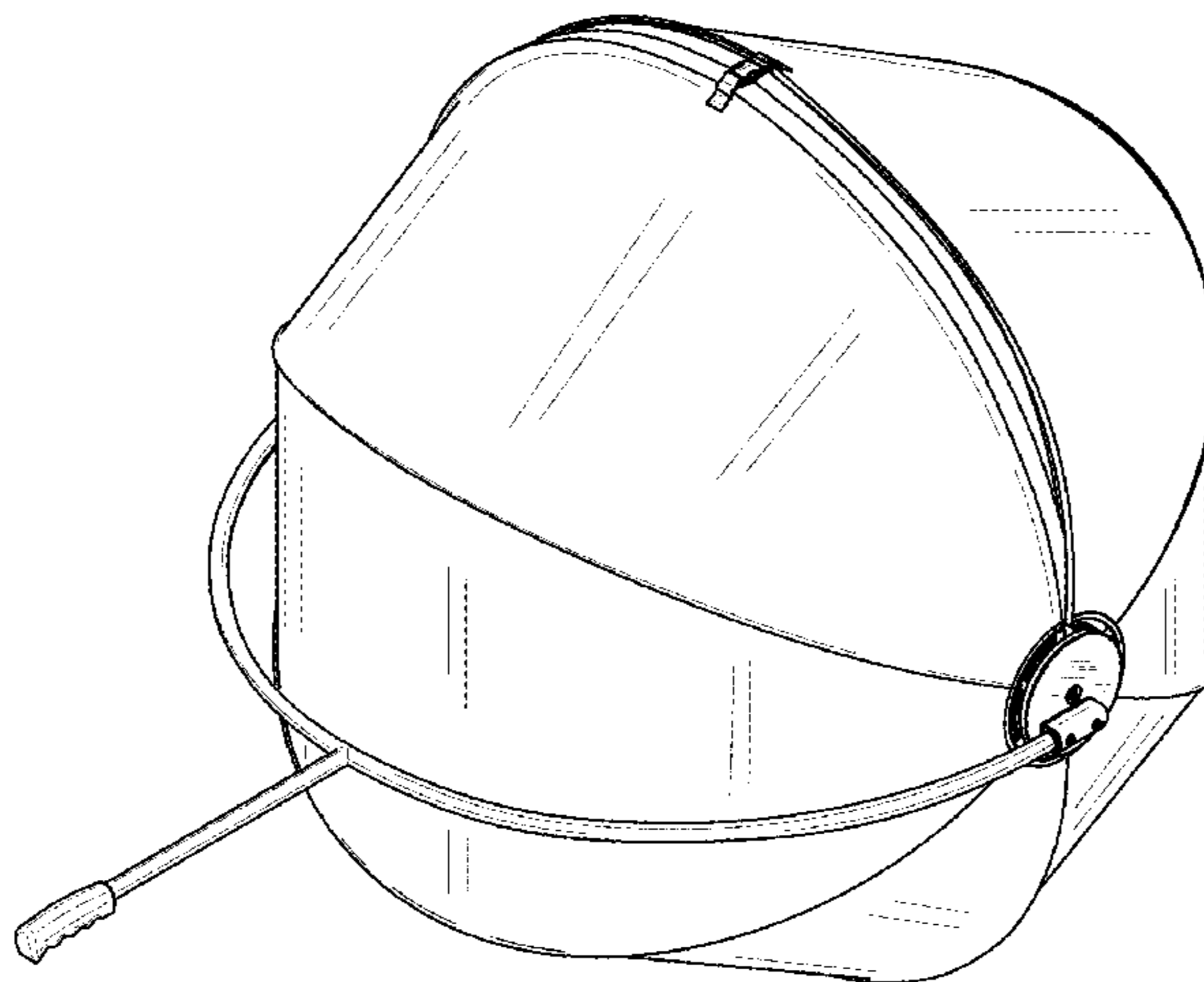
(56) **References Cited**
U.S. PATENT DOCUMENTS

546,429 A 9/1895 O'Neill
D206,965 S * 2/1967 Coffman D34/5
D226,223 S * 1/1973 Nelson et al. D34/5
D236,938 S * 9/1975 Bower D32/74
4,160,495 A 7/1979 Conard
D308,270 S * 5/1990 Sarabia D30/162
5,234,833 A 8/1993 Artis
5,470,747 A 11/1995 Sikorski
5,645,289 A * 7/1997 Harmon B62B 15/00
280/19
D528,257 S 9/2006 Leclerc et al.
D602,311 S * 10/2009 Finell D7/629
D649,316 S * 11/2011 Emond D34/1
D674,570 S 1/2013 Neuhaus
8,375,968 B2 * 2/2013 Whybrew B63G 13/02
114/345

DESCRIPTION

FIG. 1 is a perspective view of the spherical hauling device. FIG. 2 is a top plan view thereof. FIG. 3 is a bottom plan view thereof. FIG. 4 is a front elevational view thereof. FIG. 5 is a rear elevational view thereof. FIG. 6 is a right side elevational view thereof. FIG. 7 is a left side elevational view thereof; and, FIG. 8 is an alternate perspective view thereof shown with environment. The broken lines showing in FIG. 8 are for the purpose of illustrating the environment of the article only and form no part of the claimed design.

1 Claim, 5 Drawing Sheets



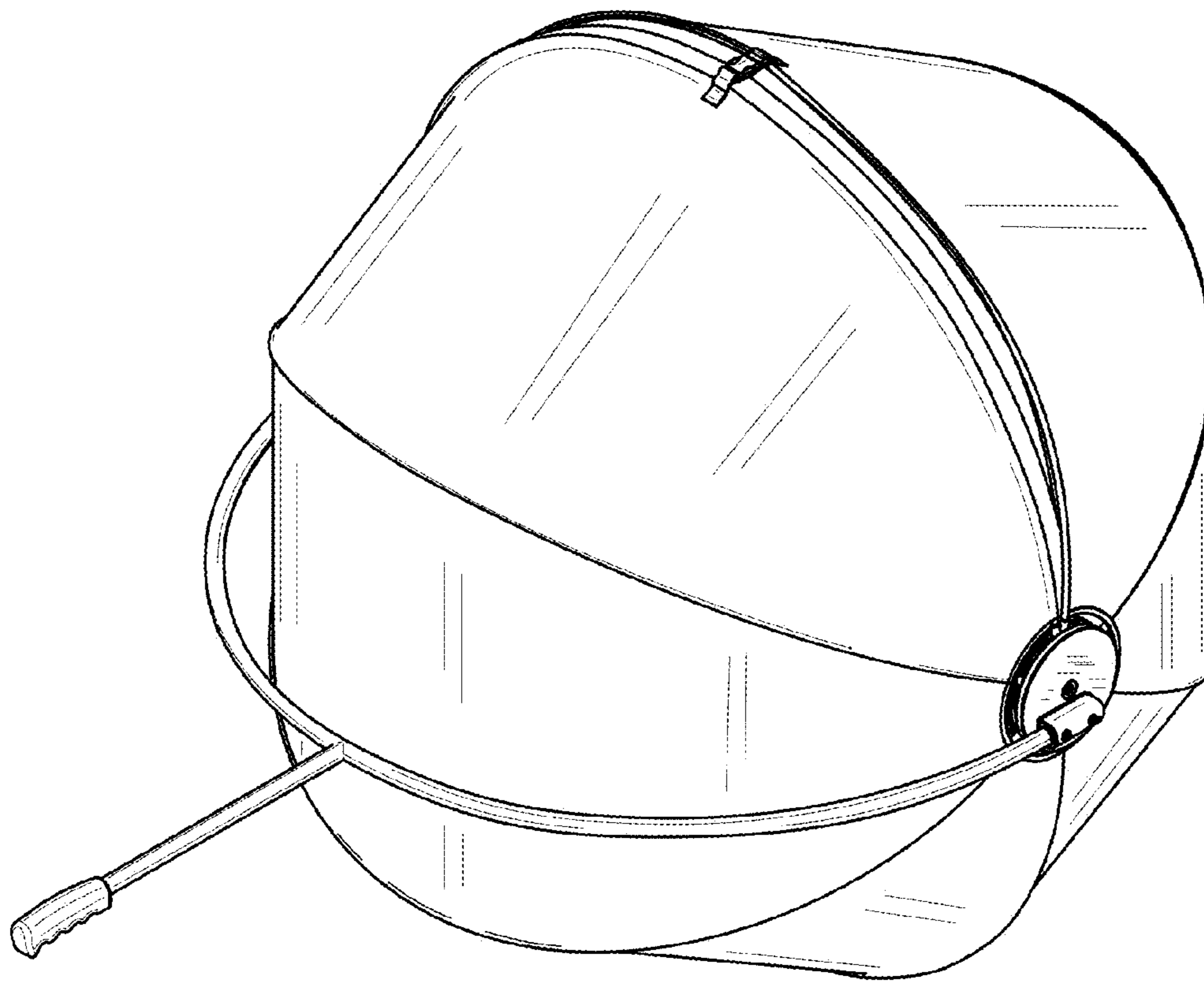


FIG. 1

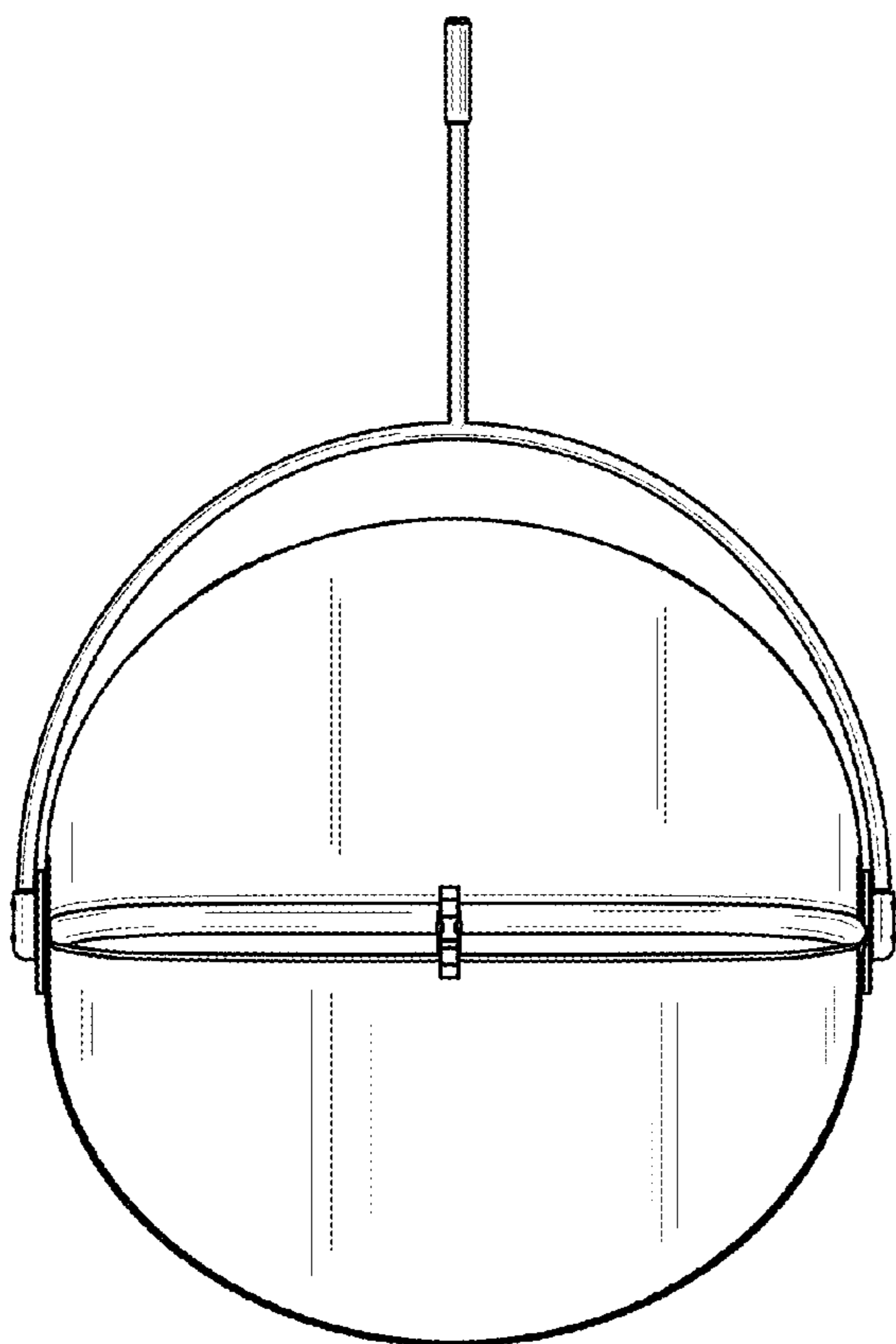


FIG. 2

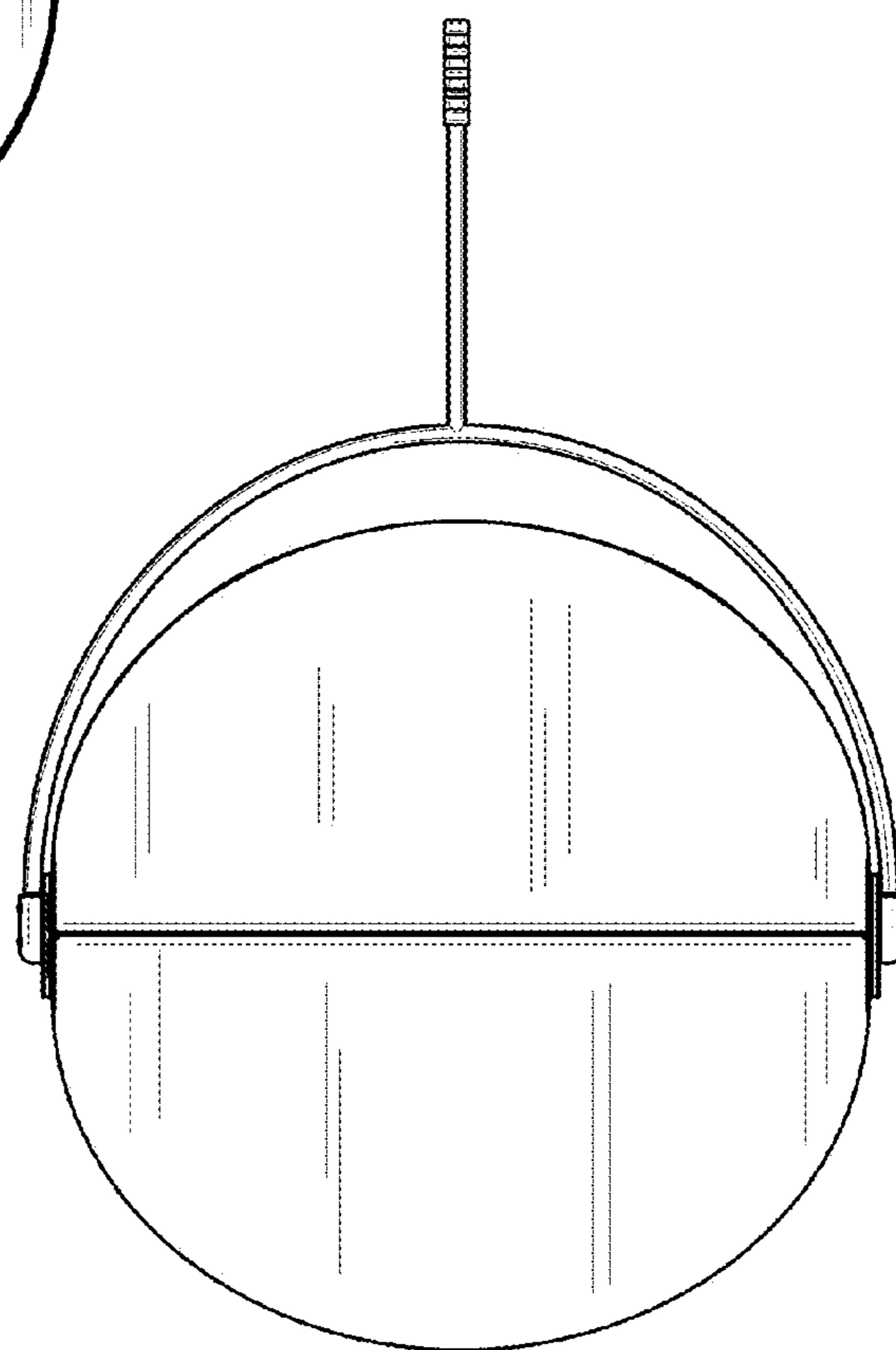


FIG. 3

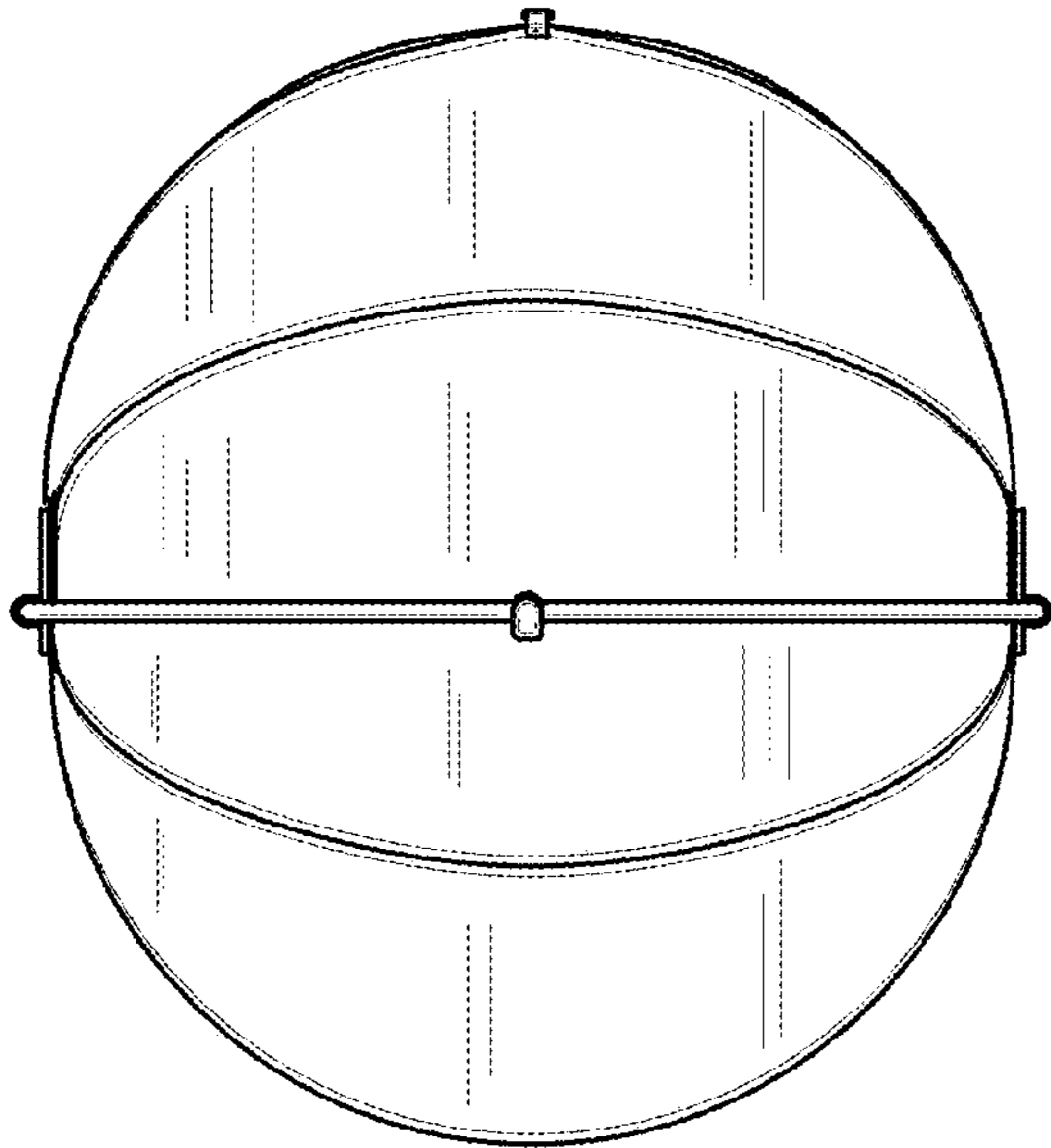


FIG. 4

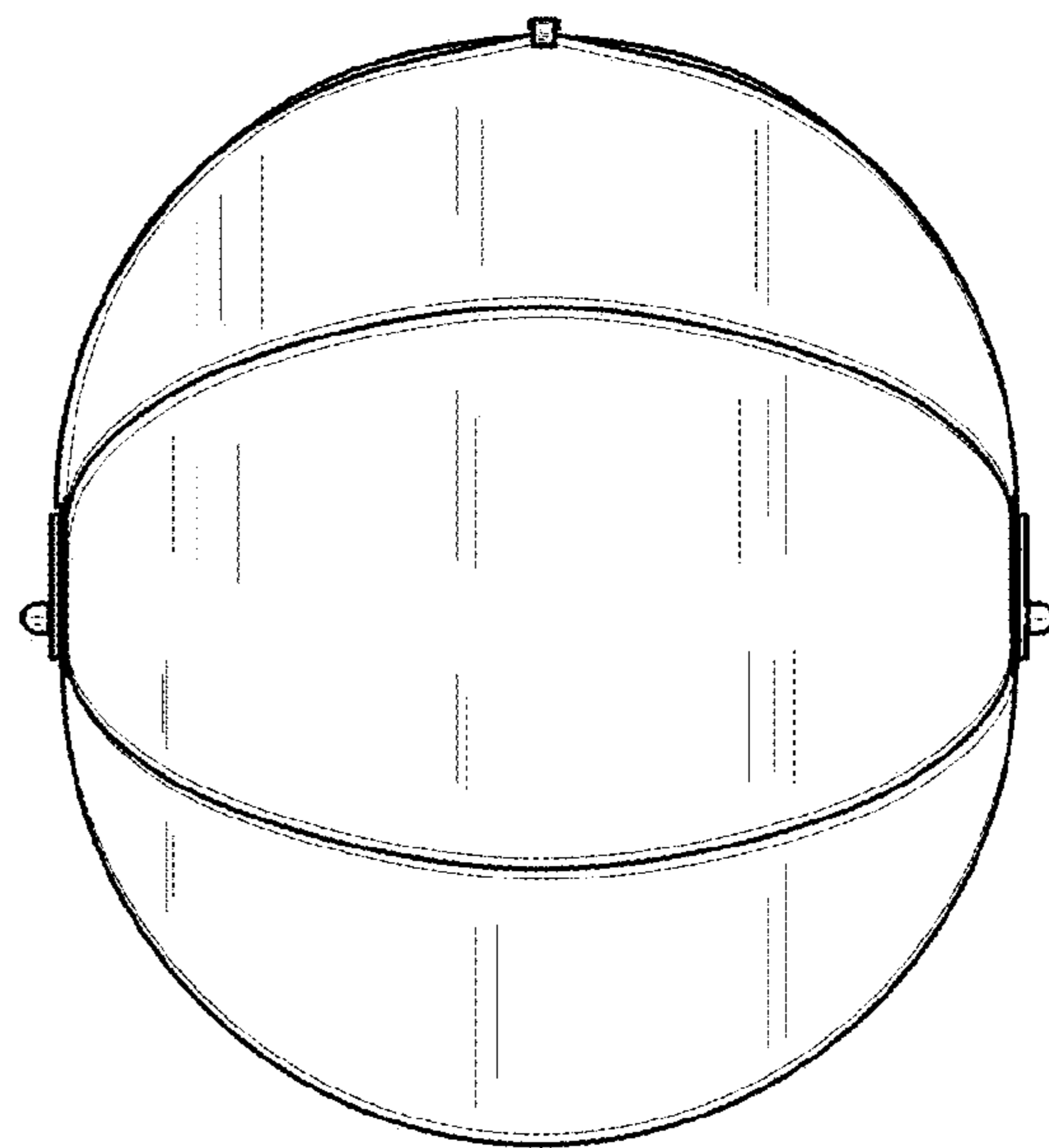


FIG. 5

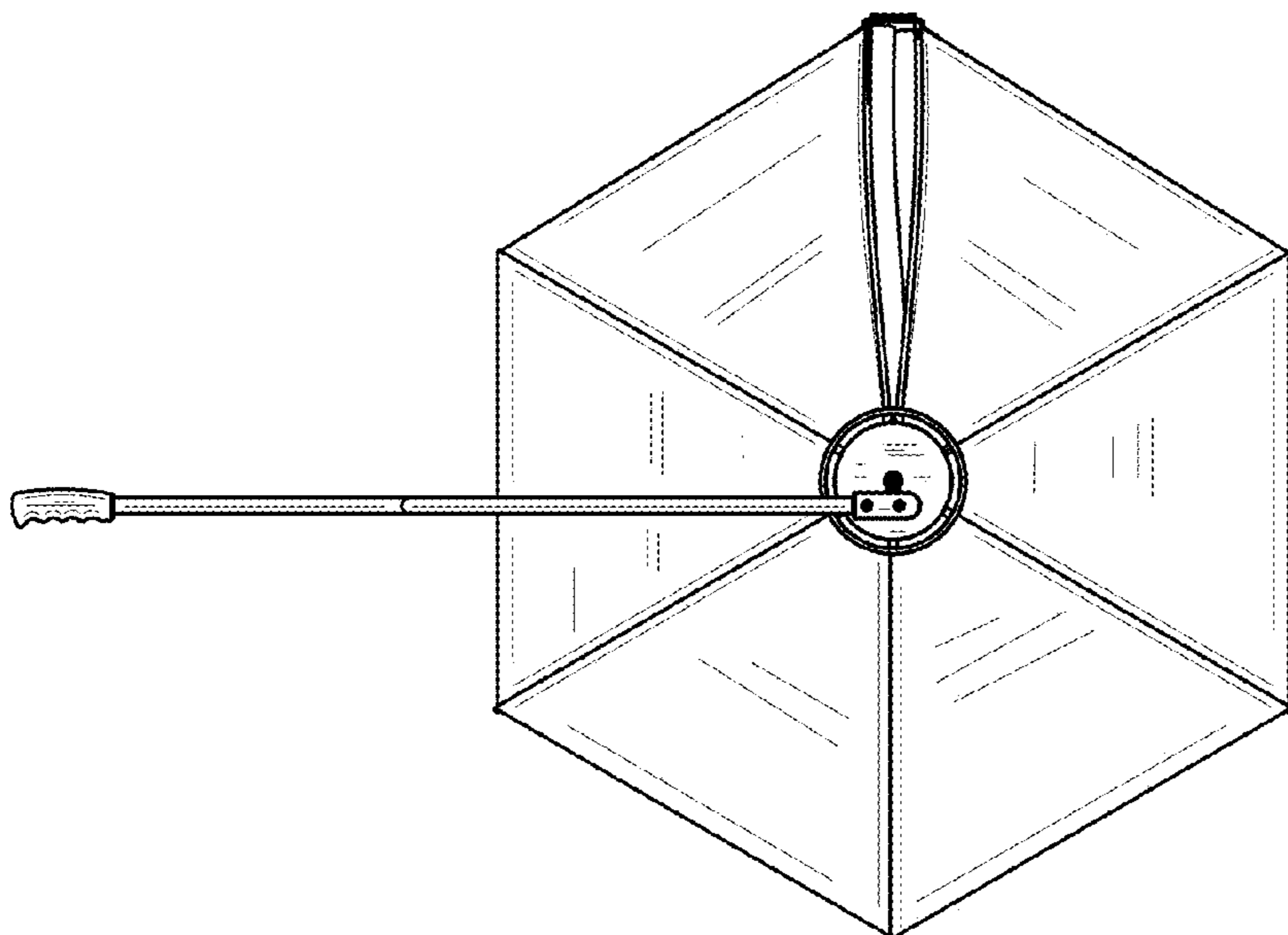


FIG. 6

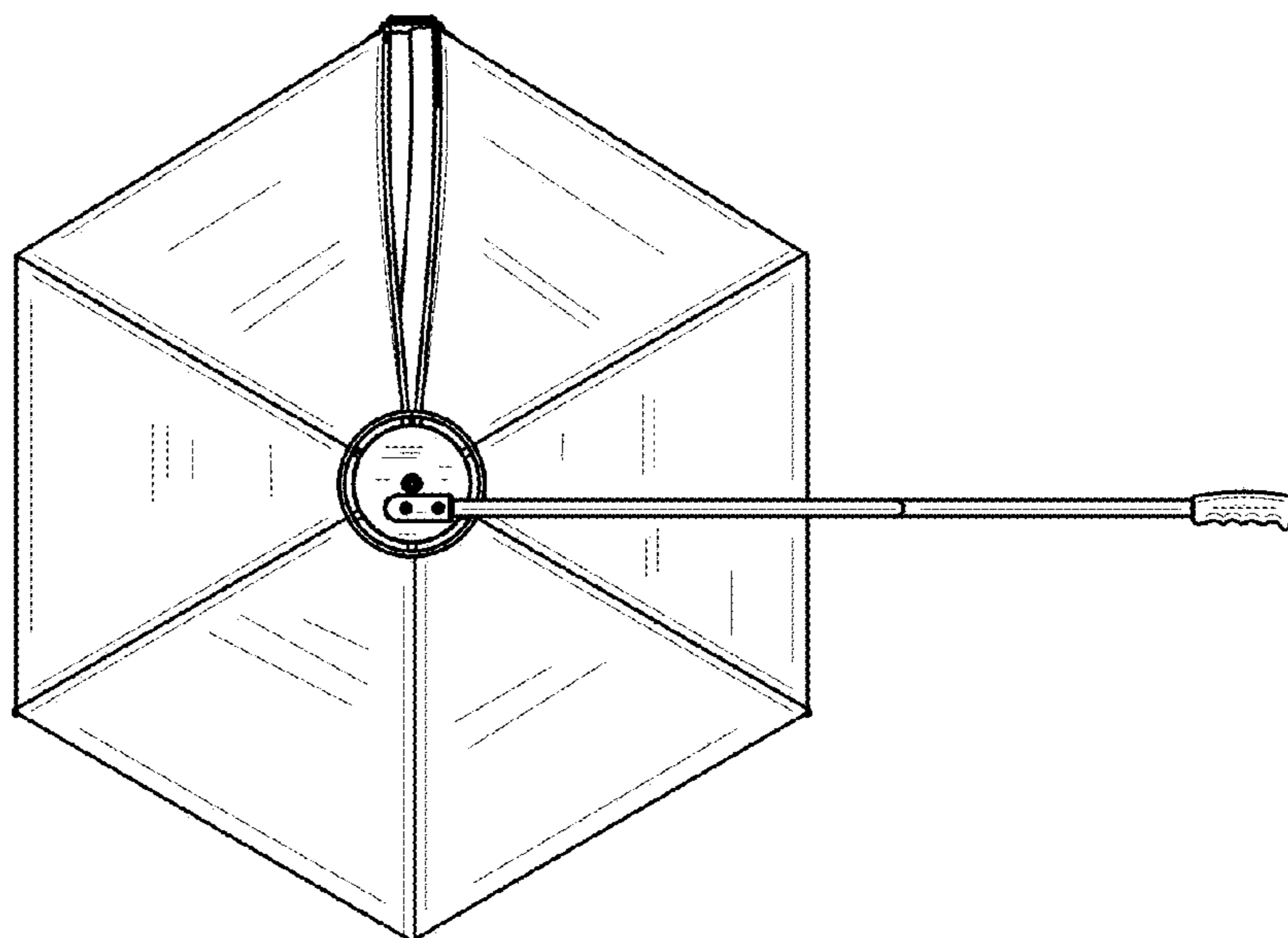


FIG. 7

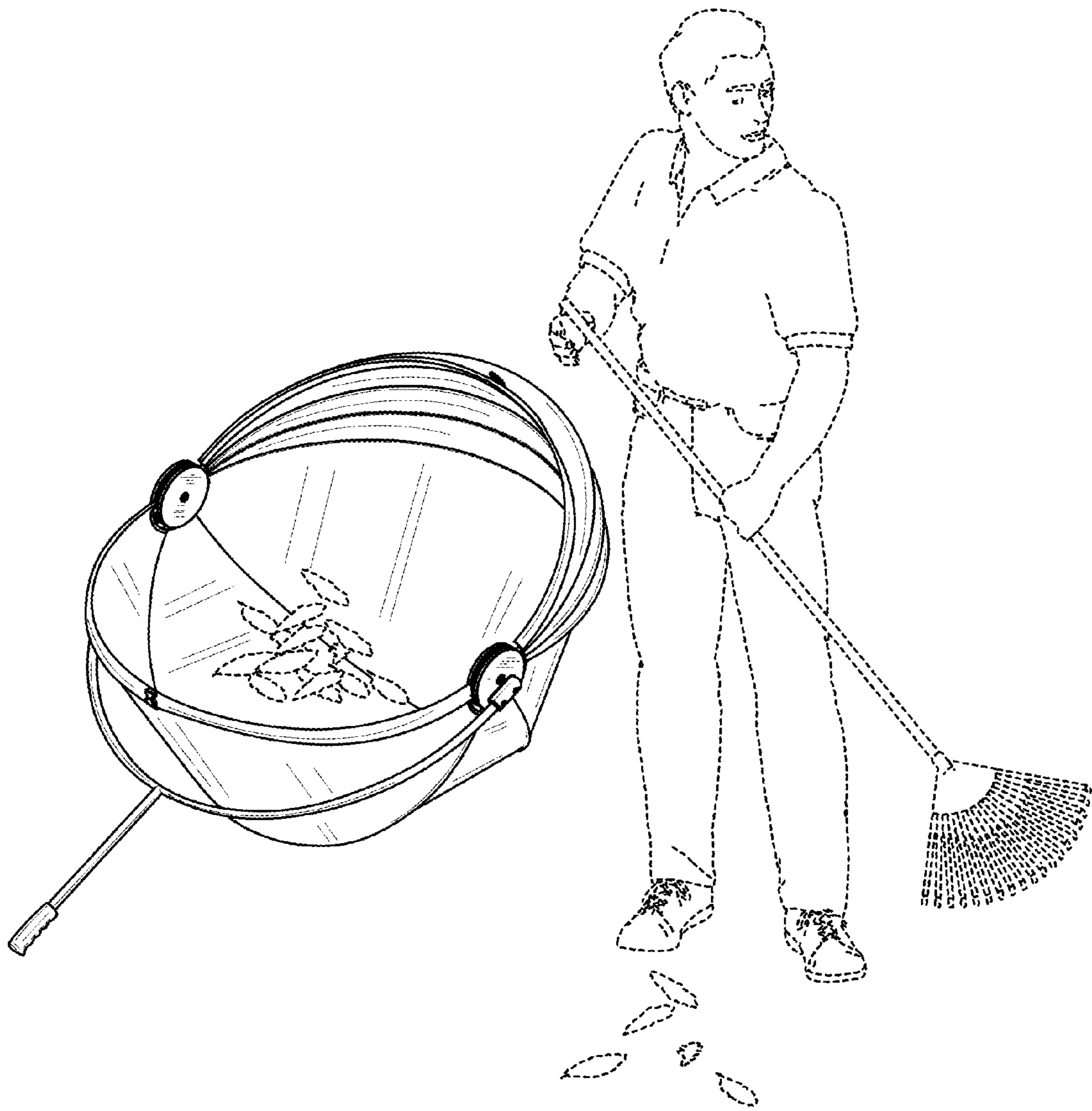


FIG. 8