



US00D766534S

(12) **United States Design Patent** (10) **Patent No.:** **US D766,534 S**  
**Stravitz** (45) **Date of Patent:** **\*\* Sep. 13, 2016**

(54) **BAG-SECURING MEMBERS FOR WASTE CONTAINERS**

(71) Applicant: **David M Stravitz**, New York, NY (US)

(72) Inventor: **David M Stravitz**, New York, NY (US)

(\*\*) Term: **15 Years**

(21) Appl. No.: **29/556,087**

(22) Filed: **Feb. 26, 2016**

(51) **LOC (10) Cl.** ..... **09-09**

(52) **U.S. Cl.**  
USPC ..... **D34/6; D34/10**

(58) **Field of Classification Search**  
USPC ..... D34/1, 5, 6, 10, 11; 248/95, 97, 99, 100  
CPC ..... B65F 1/1415; B65B 67/1227; B65B 67/1238; B65B 67/12  
See application file for complete search history.

(56) **References Cited**

**U.S. PATENT DOCUMENTS**

1,719,185	A	7/1929	Lowy	
2,434,238	A	1/1948	Wolfson	
2,793,373	A	5/1957	Ewing	
3,134,548	A	5/1964	Medina et al.	
3,214,065	A	10/1965	Thornton	
4,427,110	A	1/1984	Shaw, Jr.	
4,488,697	A	12/1984	Garvey	
4,902,482	A	2/1990	Faust	
5,174,462	A	12/1992	Hames	
D334,975	S	4/1993	Bunce et al.	
D344,624	S	3/1994	Schnel et al.	
5,520,303	A	5/1996	Bernstein et al.	
5,556,063	A *	9/1996	Boyd	..... B65B 67/1238 24/17 B
5,988,520	A	11/1999	Bitner	
D457,283	S *	5/2002	Wayt	..... D34/1
6,540,103	B2	4/2003	Silvers	
6,612,099	B2	9/2003	Stravitz	

(Continued)

*Primary Examiner* — Cynthia Ramirez

(74) *Attorney, Agent, or Firm* — Brian Roffe

(57) **CLAIM**

The ornamental design for a bag-securing member for waste container, as shown and described.

**DESCRIPTION**

FIG. 1 is a perspective view of a first embodiment for a bag-securing member for a waste container showing my new design;

FIG. 2 is a top view thereof;

FIG. 3 is a bottom view thereof;

FIG. 4 is a front view thereof;

FIG. 5 is a rear view thereof;

FIG. 6 is a right side view thereof;

FIG. 7 is a left side view thereof;

FIG. 8 is a perspective view of a second embodiment for a bag-securing member for a waste container showing my new design;

FIG. 9 is a top view thereof;

FIG. 10 is a bottom view thereof;

FIG. 11 is a front view thereof;

FIG. 12 is a rear view thereof;

FIG. 13 is a right side view thereof;

FIG. 14 is a left side view thereof;

FIG. 15 is a third embodiment of a bag-securing member for a waste container showing my new design;

FIG. 16 is a top view thereof;

FIG. 17 is a bottom view thereof;

FIG. 18 is a front view thereof;

FIG. 19 is a rear view thereof;

FIG. 20 is a right side view thereof;

FIG. 21 is a left side view thereof;

FIG. 22 is a fourth embodiment of a bag-securing member for a waste container showing my new design;

FIG. 23 is a top view thereof;

FIG. 24 is a bottom view thereof;

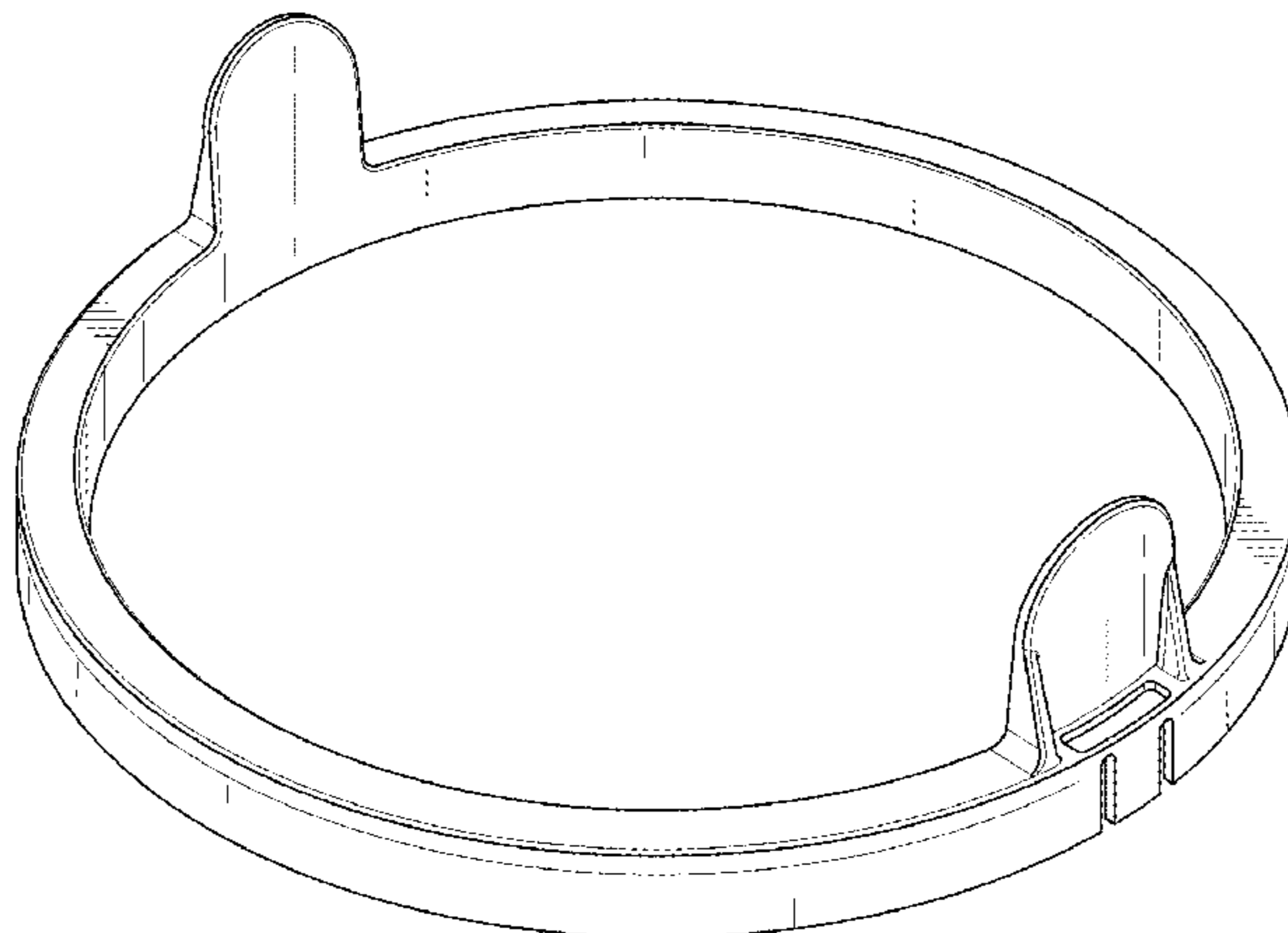
FIG. 25 is a front view thereof;

FIG. 26 is a rear view thereof;

FIG. 27 is a right side view thereof; and,

FIG. 28 is a left side view thereof.

**1 Claim, 16 Drawing Sheets**



(56)

References Cited

U.S. PATENT DOCUMENTS

D485,404 S *	1/2004	Del Prato	.....	D34/6	8,215,089 B2	7/2012	Stravitz	
6,804,930 B2	10/2004	Stravitz			8,235,237 B1	8/2012	Stravitz	
6,851,251 B2	2/2005	Stravitz			8,266,871 B1	9/2012	Stravitz	
6,904,867 B2	6/2005	Zamjahn			8,393,489 B1	3/2013	Stravitz	
6,974,029 B2	12/2005	Morand et al.			D682,725 S	5/2013	Reeder et al.	
7,086,569 B2	8/2006	Stravitz			8,567,157 B2	10/2013	Dunn et al.	
7,114,314 B2	10/2006	Stravitz			8,635,838 B2	1/2014	Dunn et al.	
7,146,785 B2	12/2006	Stravitz			8,647,587 B2	2/2014	Dunn et al.	
D537,598 S *	2/2007	Moore	.....	D34/10	8,657,139 B1	2/2014	Bodine	
7,225,943 B2	6/2007	Yang et al.			8,690,017 B2	4/2014	Dunn et al.	
7,316,100 B2	1/2008	Stravitz et al.			8,739,501 B2	6/2014	Dunn et al.	
7,406,814 B2	8/2008	Morand			8,833,592 B2	9/2014	Dunn et al.	
7,434,377 B2	10/2008	Stravitz et al.			8,834,023 B1 *	9/2014	Laera	..... B65B 67/1238 383/33
7,503,152 B2	3/2009	Stravitz et al.			8,844,751 B2	9/2014	Sakaguchi et al.	
7,503,159 B2	3/2009	Stravitz et al.			8,899,420 B2	12/2014	Morand	
7,516,865 B1	4/2009	Pierre			8,910,821 B1	12/2014	Stravitz	
7,543,716 B2	6/2009	Lin			D723,239 S	2/2015	Raschke et al.	
D596,364 S	7/2009	Morand			8,959,880 B2	2/2015	Morand	
7,617,659 B2	11/2009	Stravitz et al.			8,973,774 B1	3/2015	Stravitz	
7,696,711 B2	4/2010	Pollack et al.			D728,184 S *	4/2015	Hoggatt	..... D34/6
7,708,188 B2	5/2010	Stravitz et al.			9,085,404 B2	7/2015	Dunn et al.	
7,712,285 B2	5/2010	Stravitz et al.			2002/0051739 A1	5/2002	Wang	
D619,905 S	7/2010	Dunn et al.			2008/0134644 A1	6/2008	Knuth et al.	
7,878,359 B1	2/2011	Ko			2009/0046955 A1 *	2/2009	Schember	..... B65F 1/1415 383/33
7,931,150 B2	4/2011	Morand			2010/0005762 A1	1/2010	Stravitz	
D639,002 S	5/2011	Dunn et al.			2010/0140423 A1 *	6/2010	Davies	..... B65F 1/1415 248/101
D639,003 S	5/2011	Dunn et al.			2011/0099958 A1	5/2011	Dunn et al.	
D639,004 S	5/2011	Dunn et al.			2012/0211494 A1	8/2012	Morand	
7,963,414 B1	6/2011	Stravitz			2013/0181000 A1	7/2013	Miksovsky et al.	
D652,189 S	1/2012	Morand			2013/0252534 A1	9/2013	Smith	
D654,738 S	2/2012	Morand			2014/0027452 A1	1/2014	Pan	
8,127,519 B2	3/2012	Stravitz			2014/0042168 A1	2/2014	Dunn et al.	
D657,107 S *	4/2012	Fitzpatrick	.....	D34/6				

\* cited by examiner

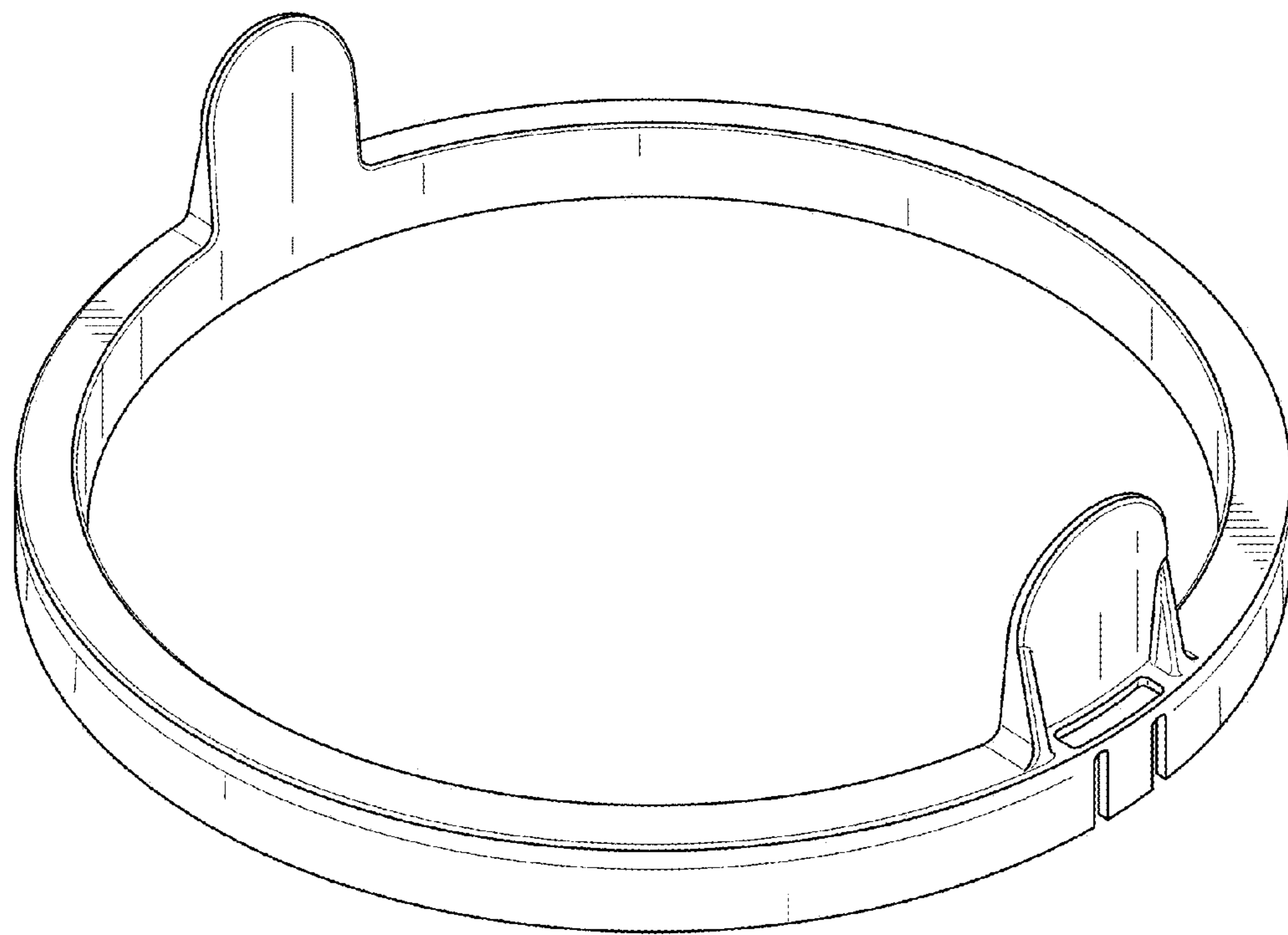


FIG. 1

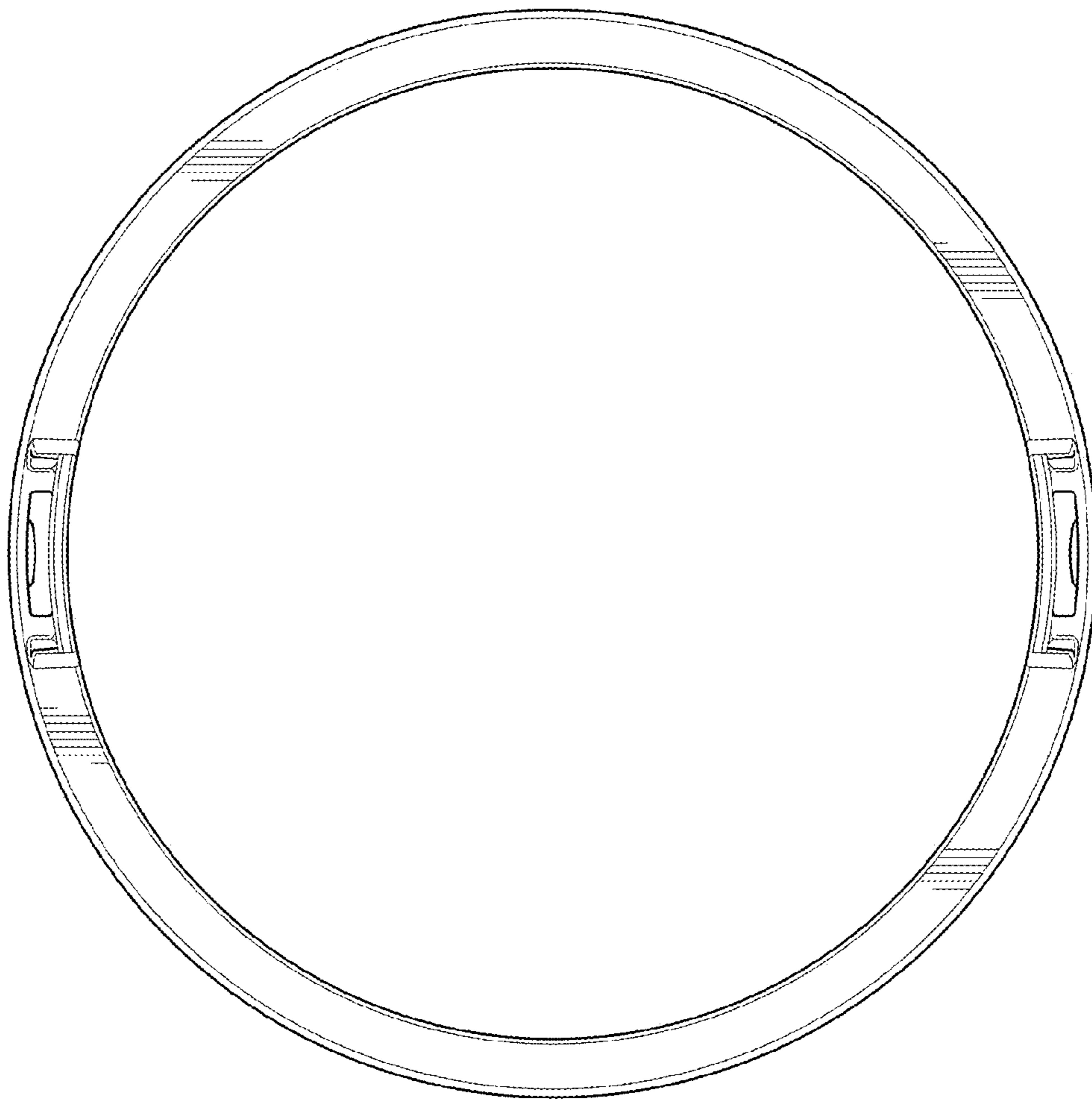


FIG. 2

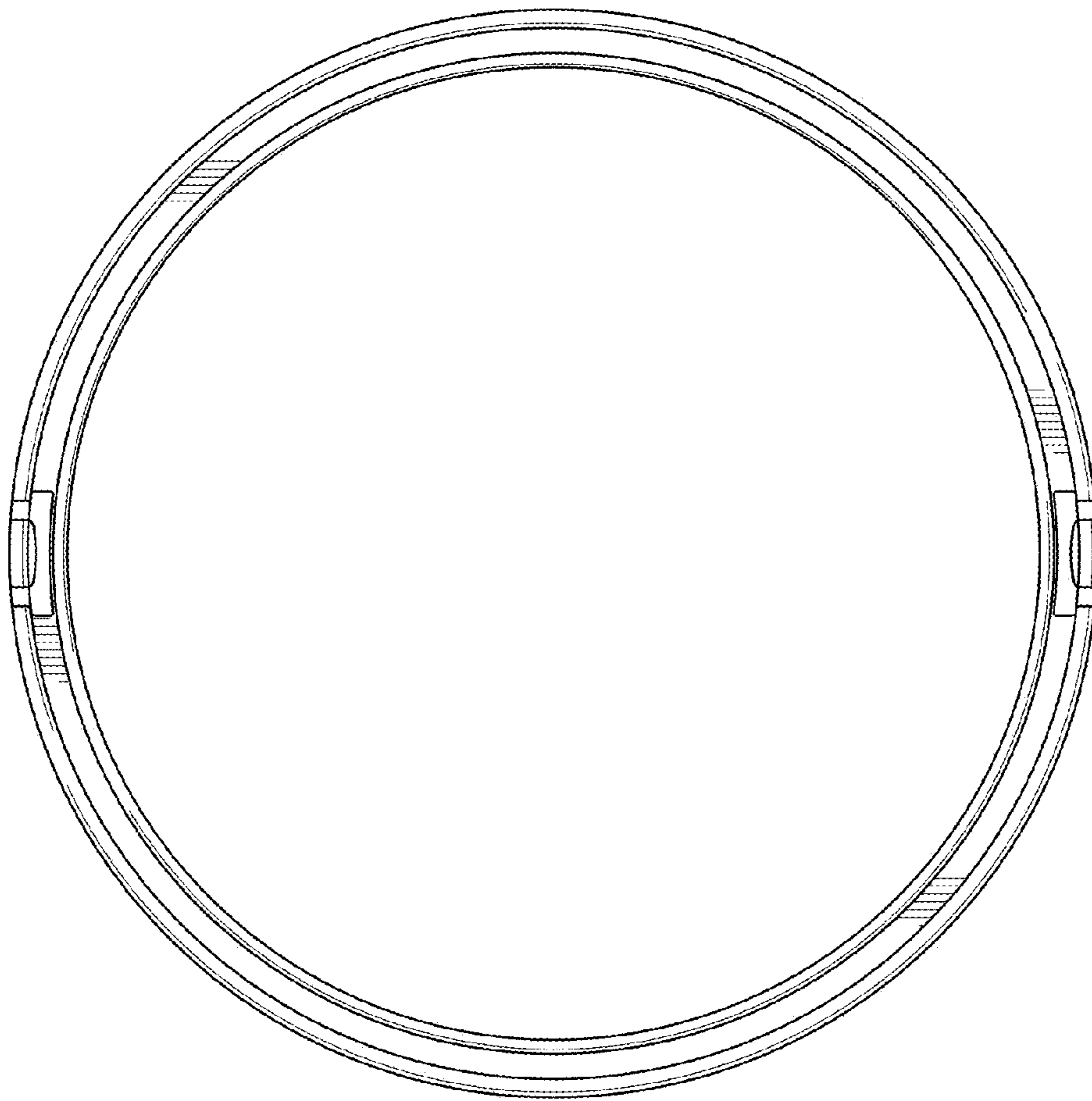


FIG. 3

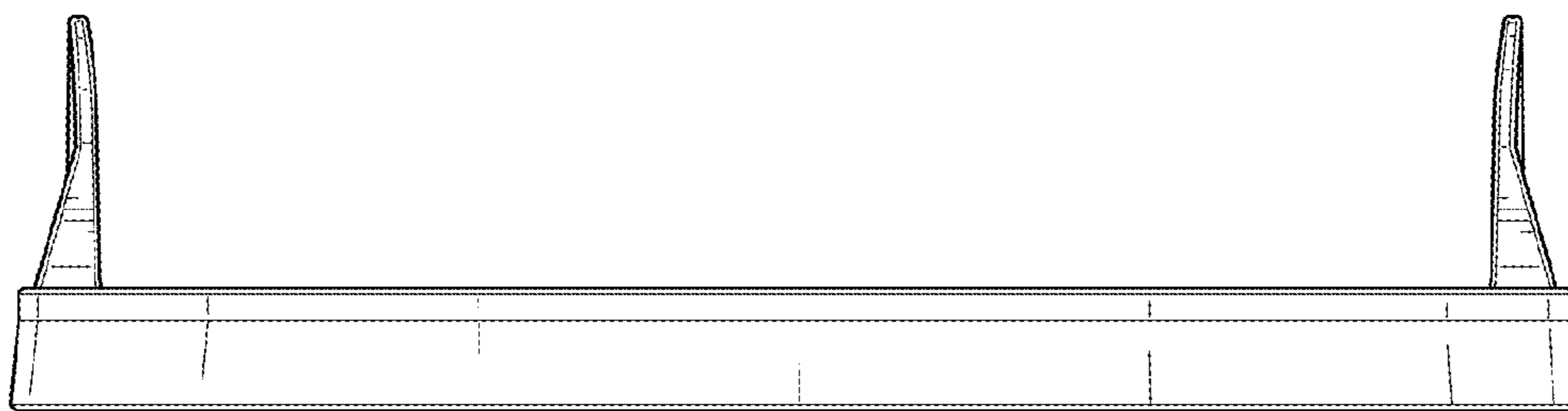


FIG. 4

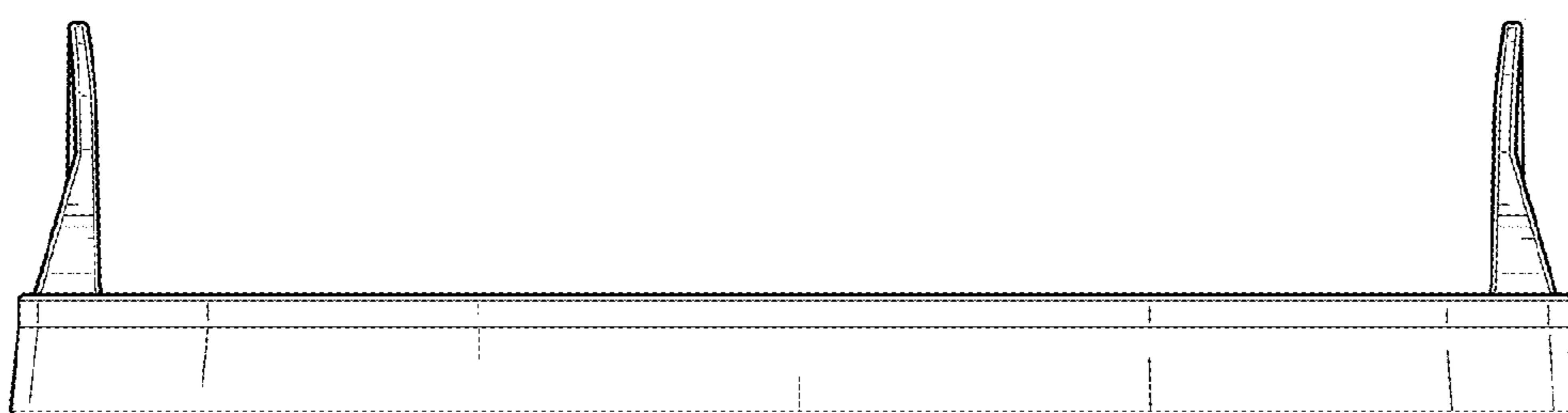


FIG. 5

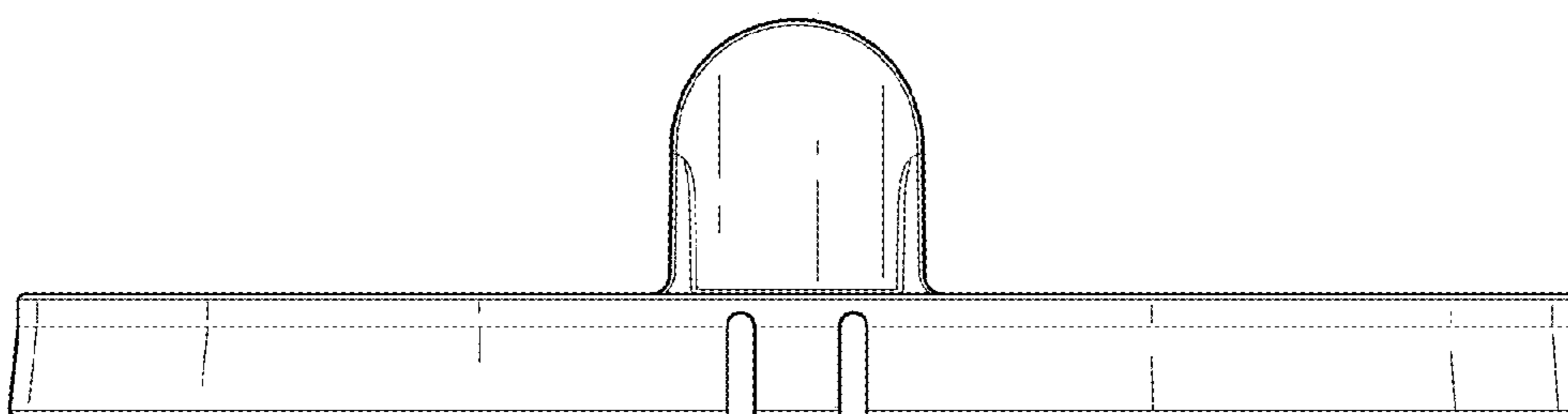


FIG. 6

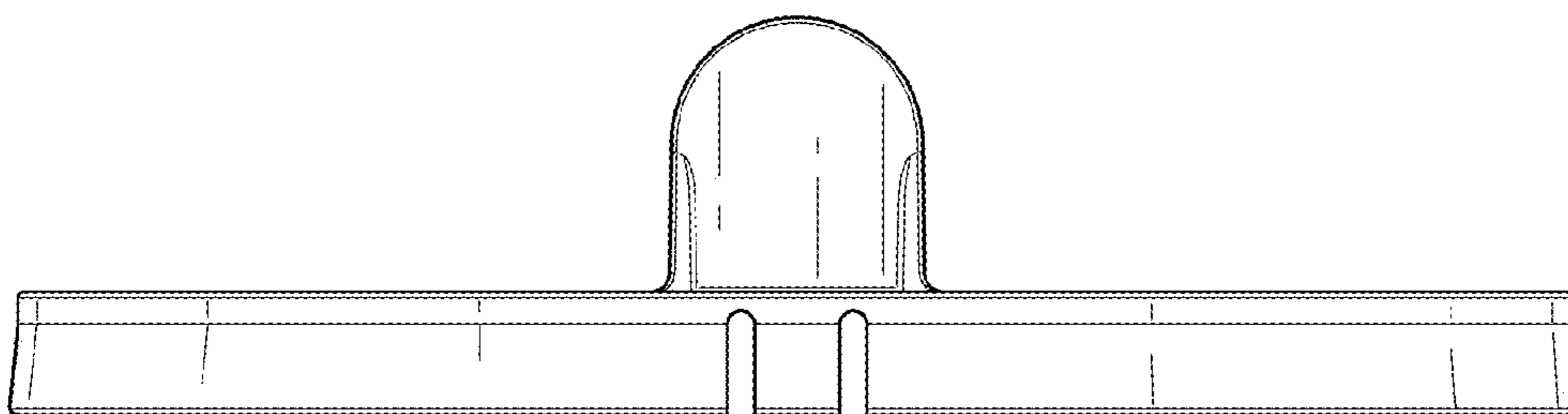


FIG. 7

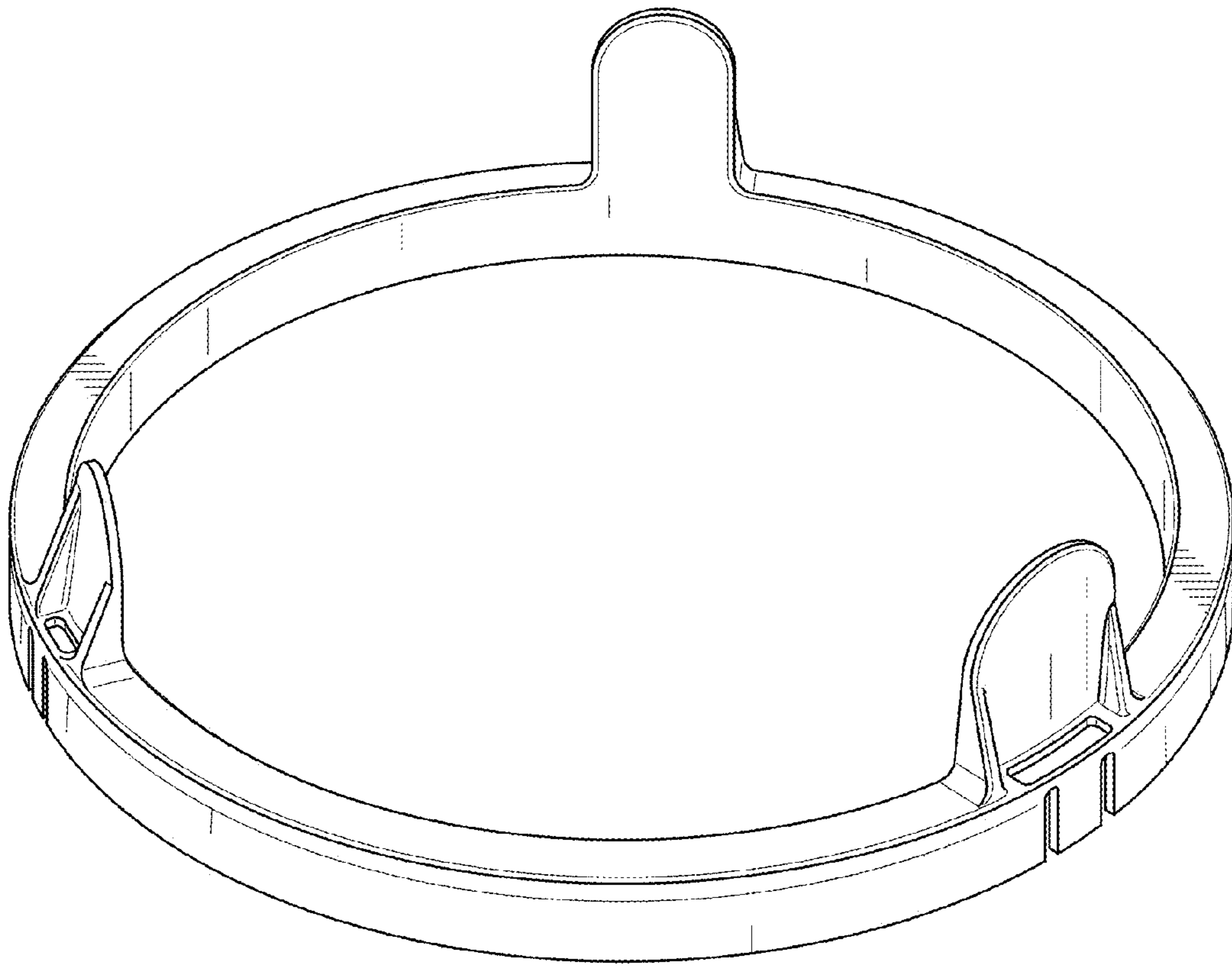


FIG. 8

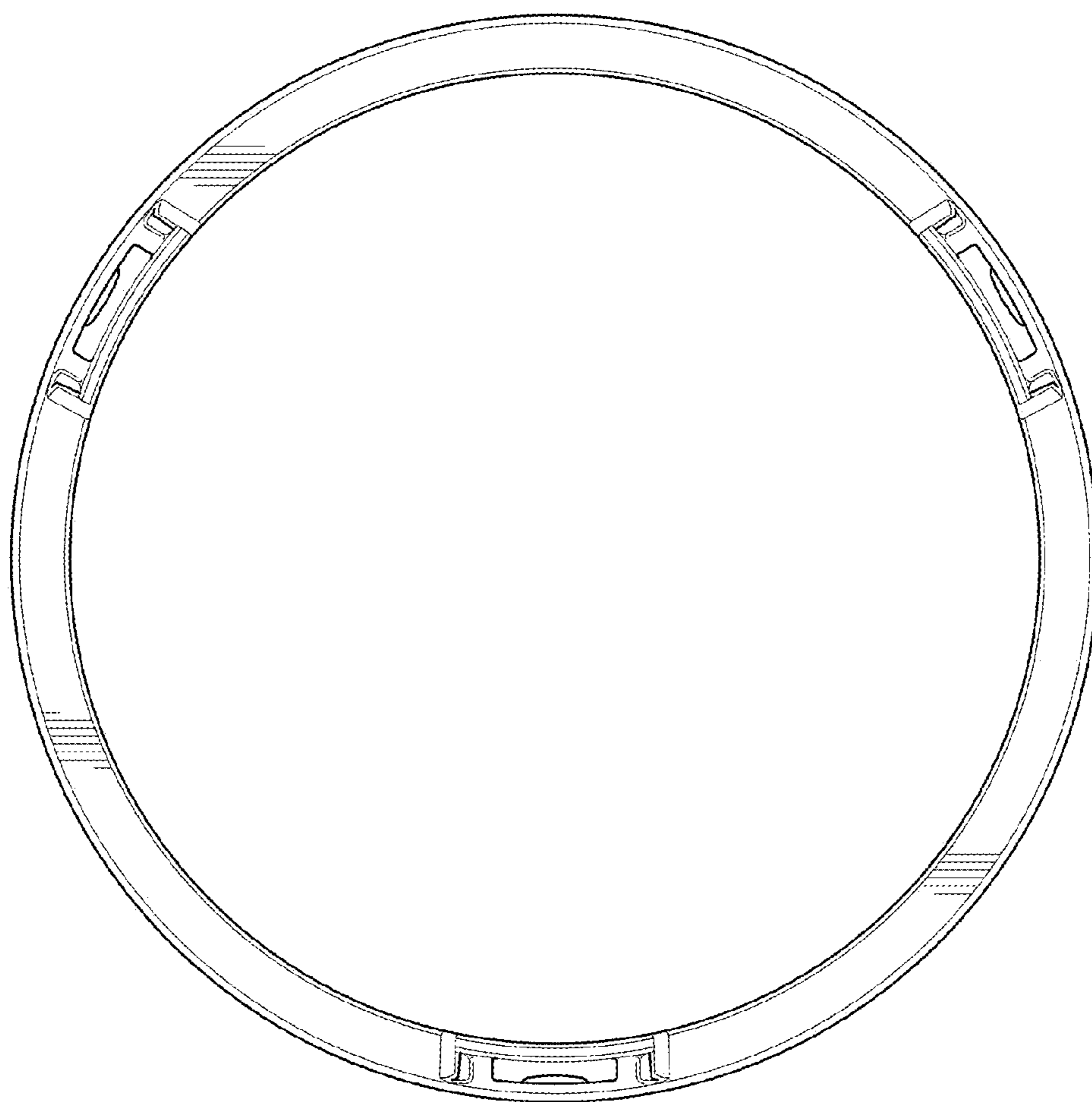


FIG. 9



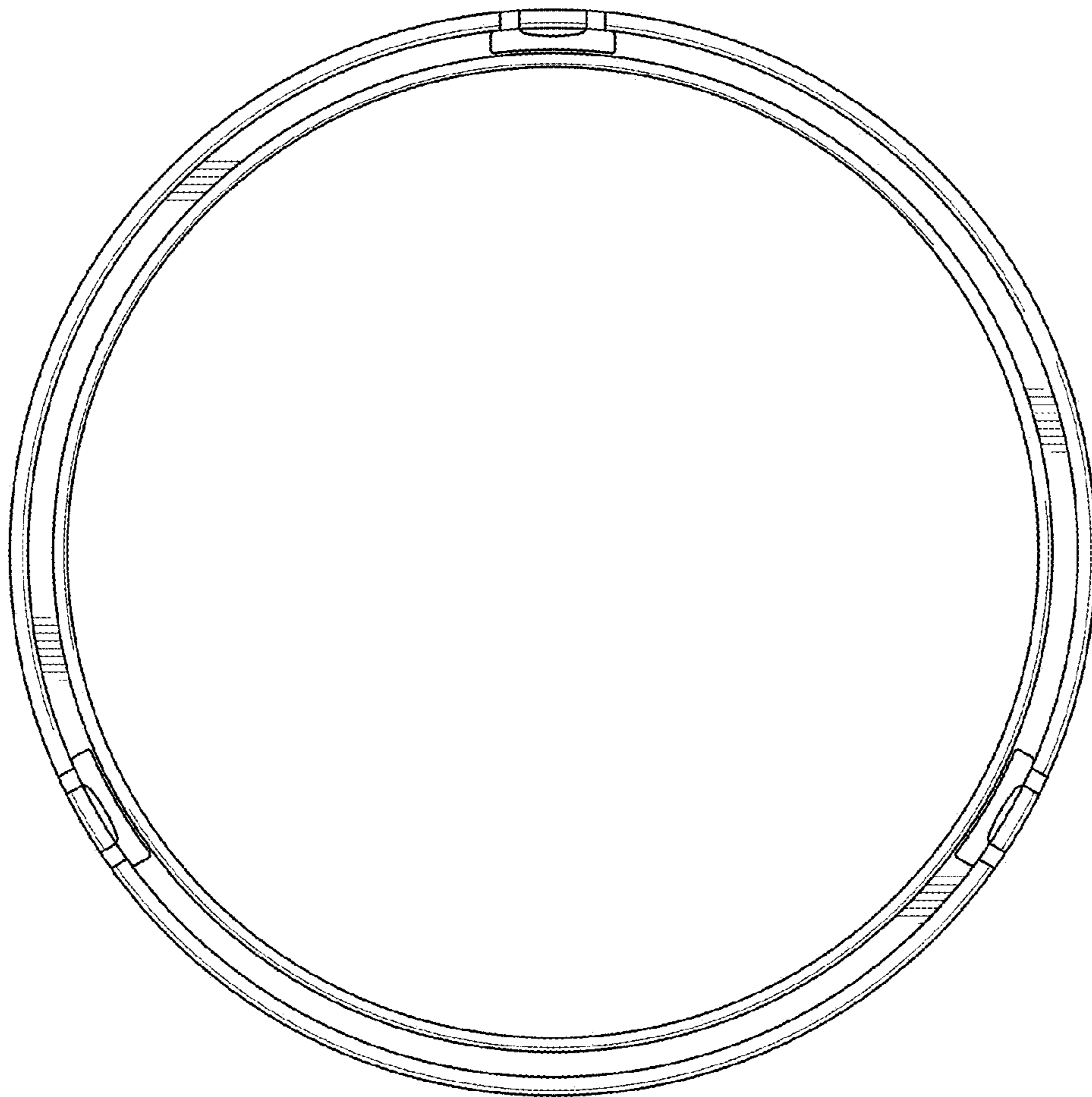


FIG. 10

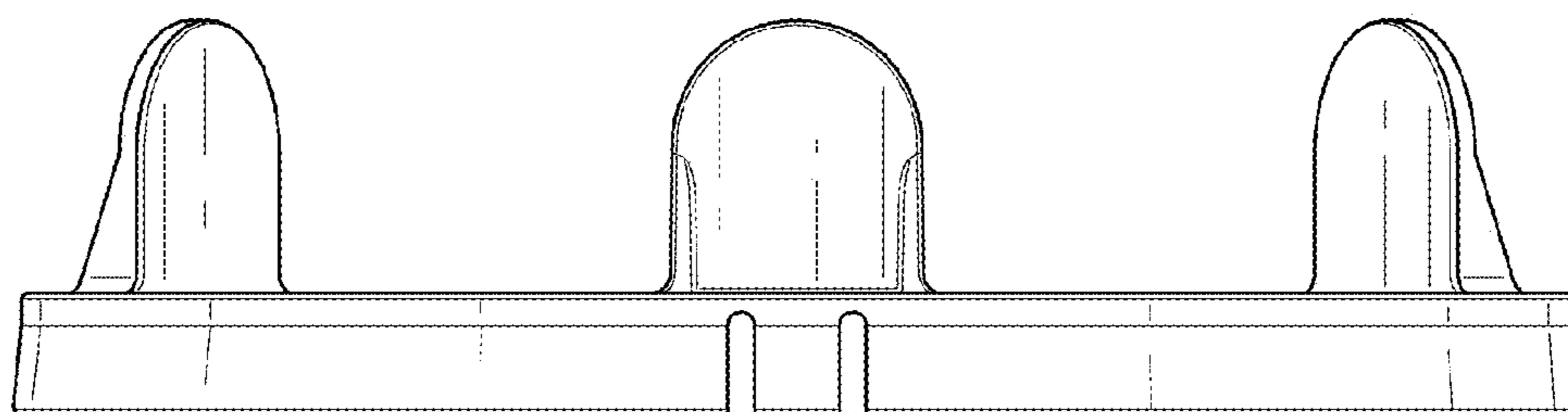


FIG. 11

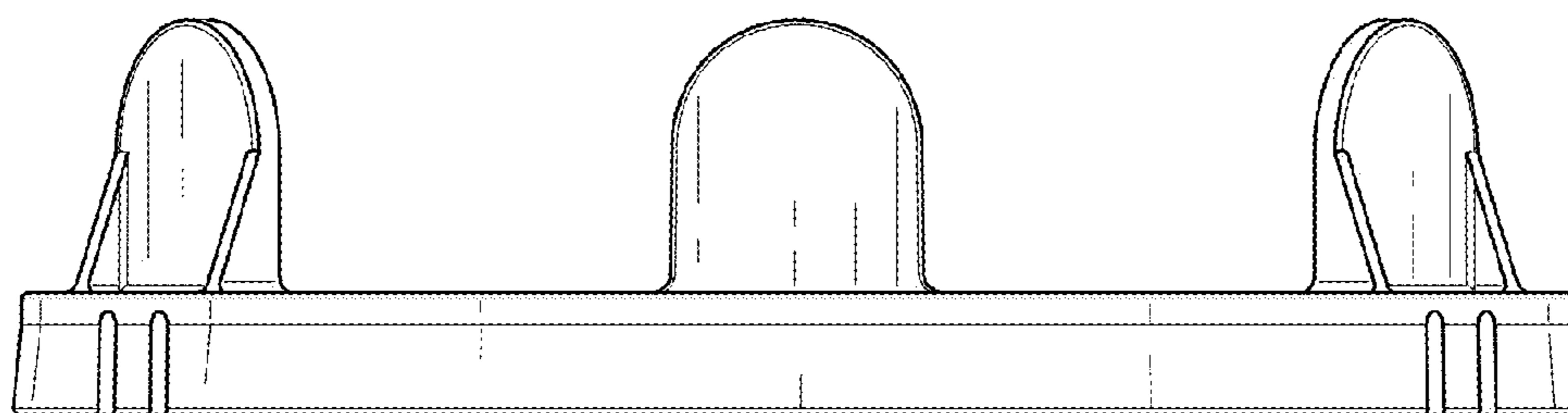


FIG. 12

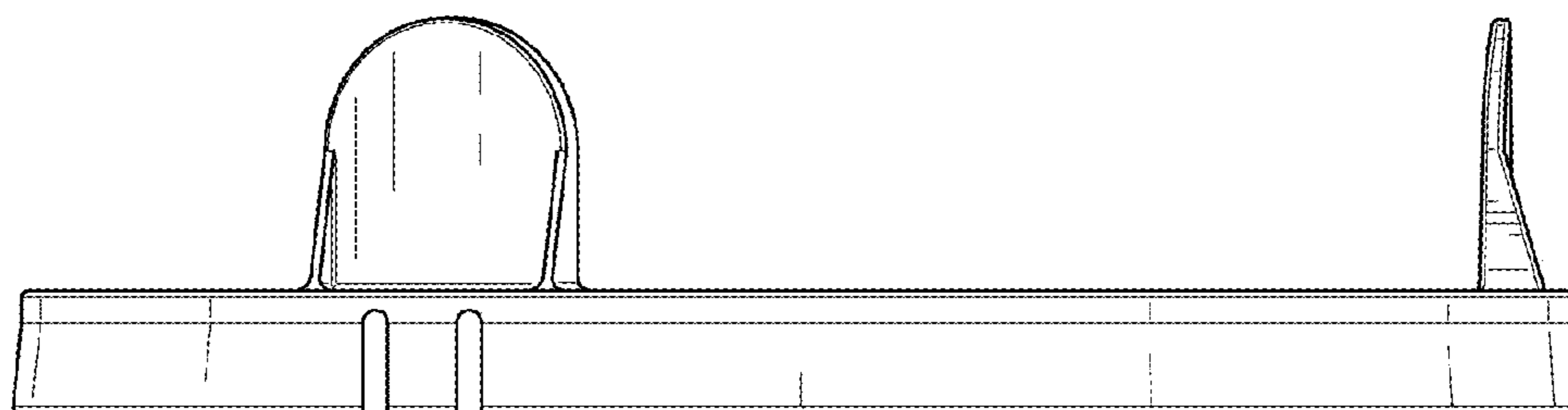


FIG. 13

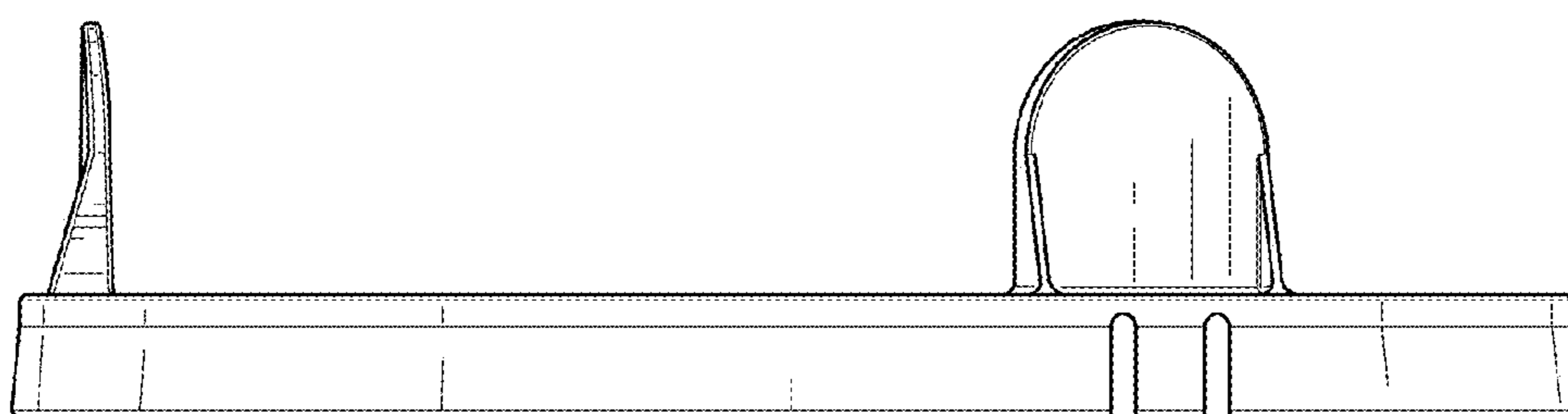


FIG. 14

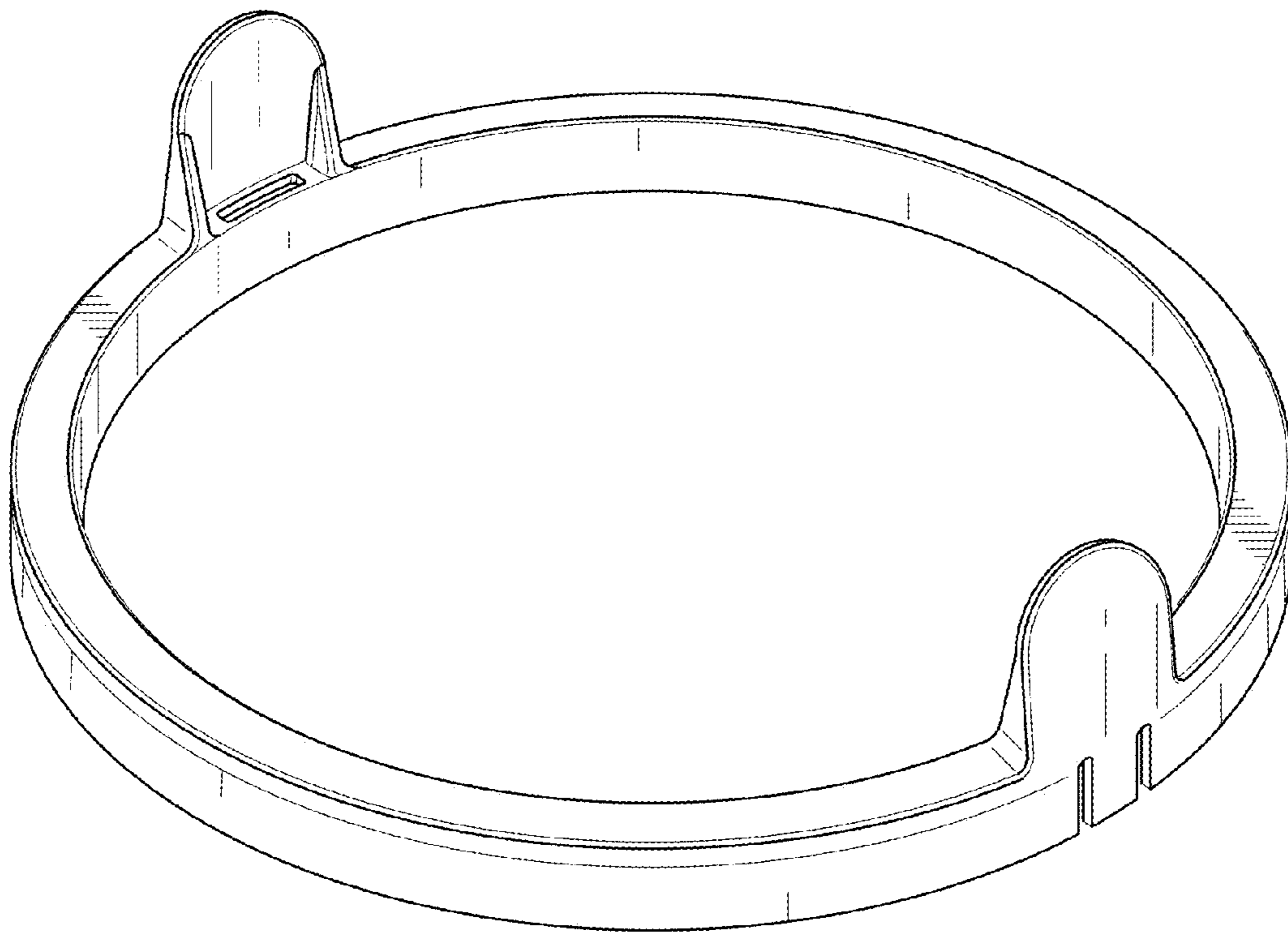


FIG. 15

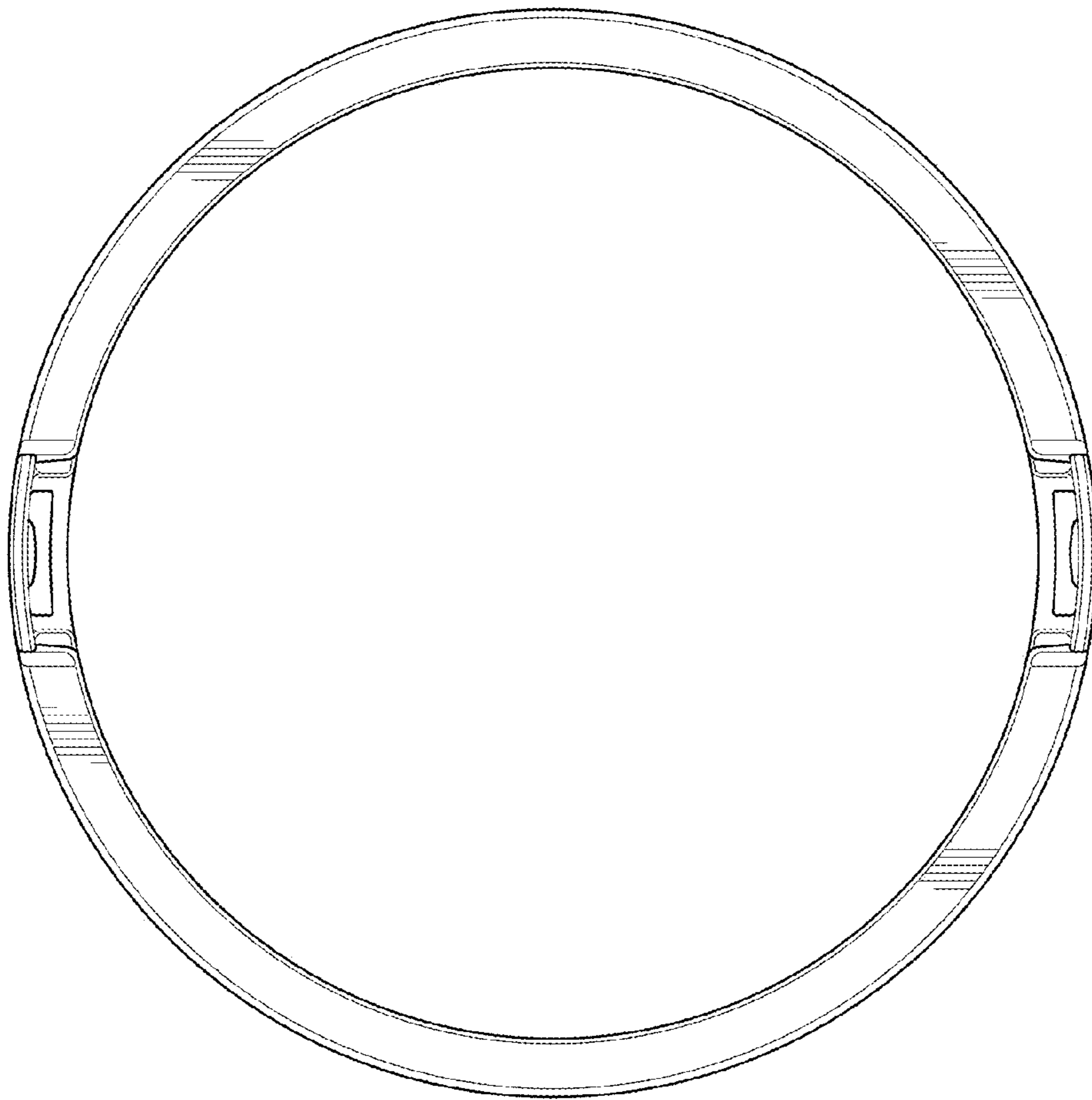


FIG. 16

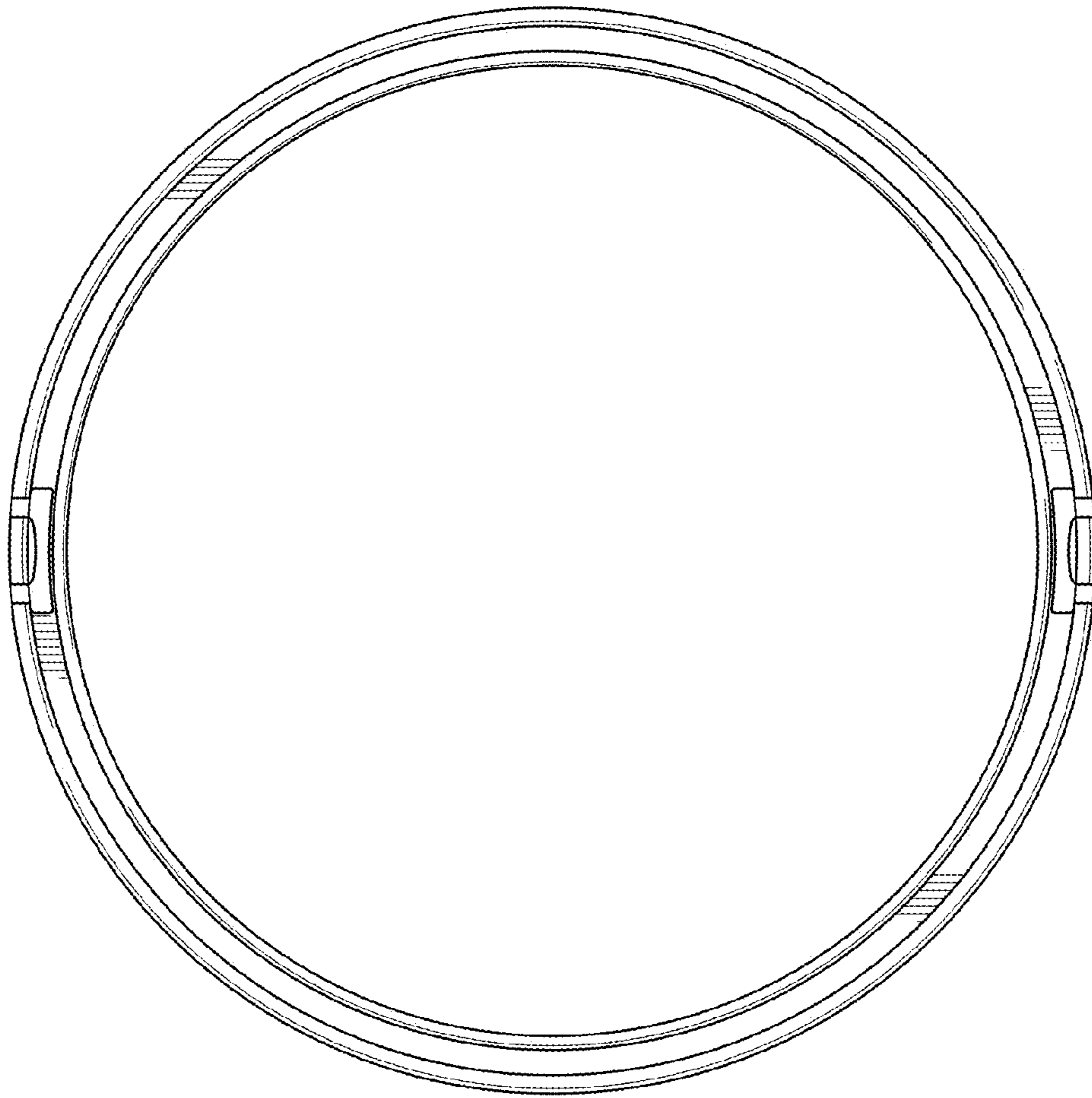


FIG. 17

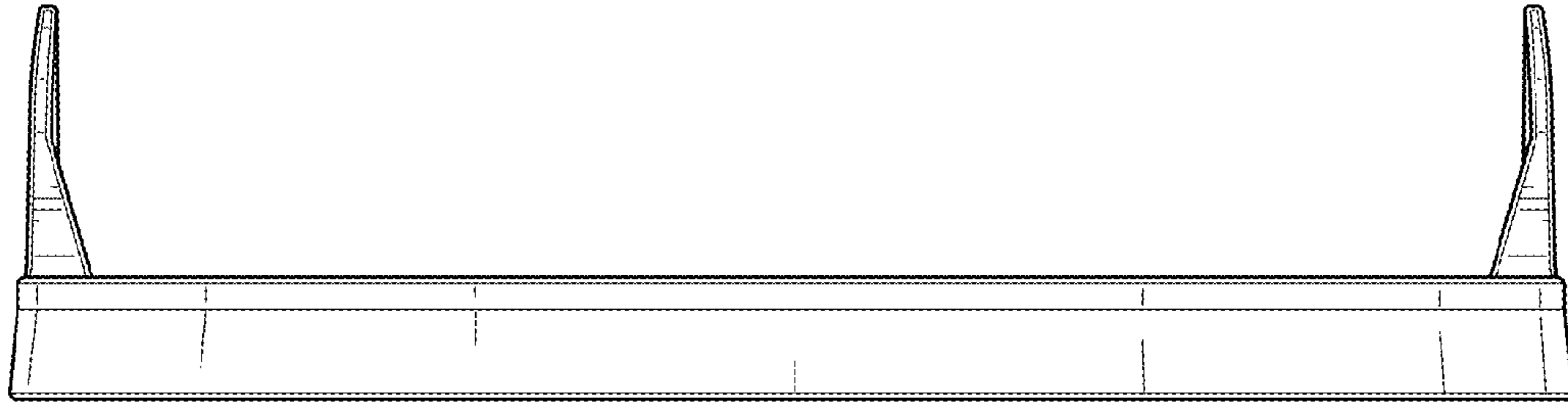


FIG. 18

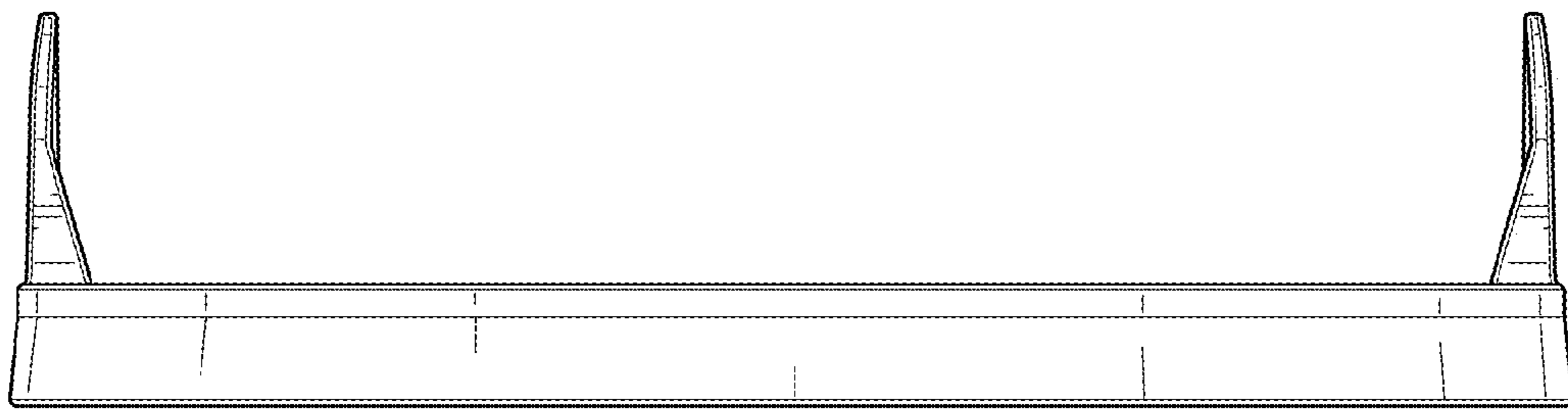


FIG. 19

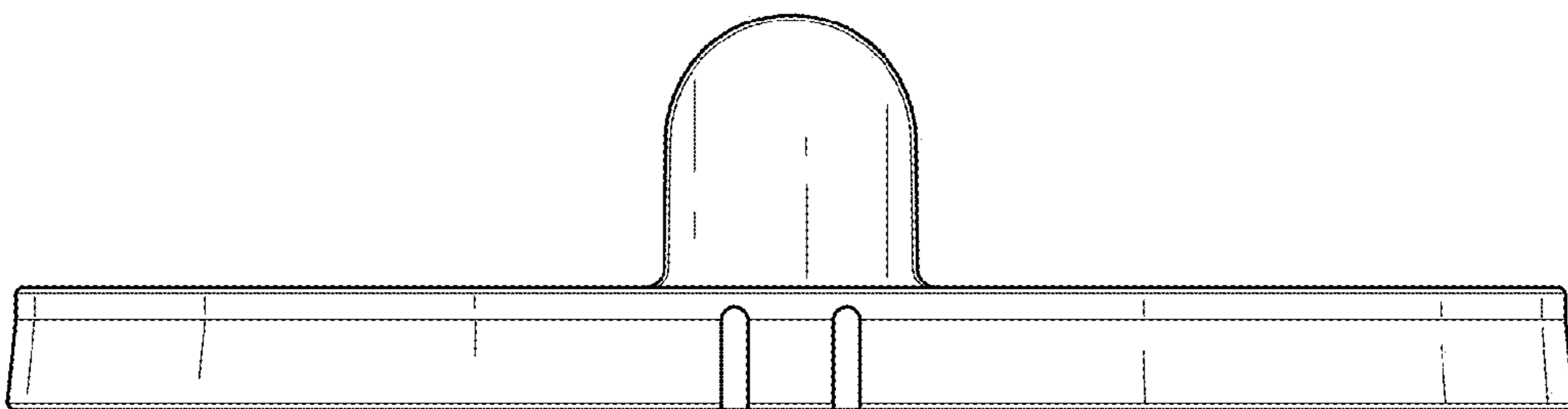


FIG. 20

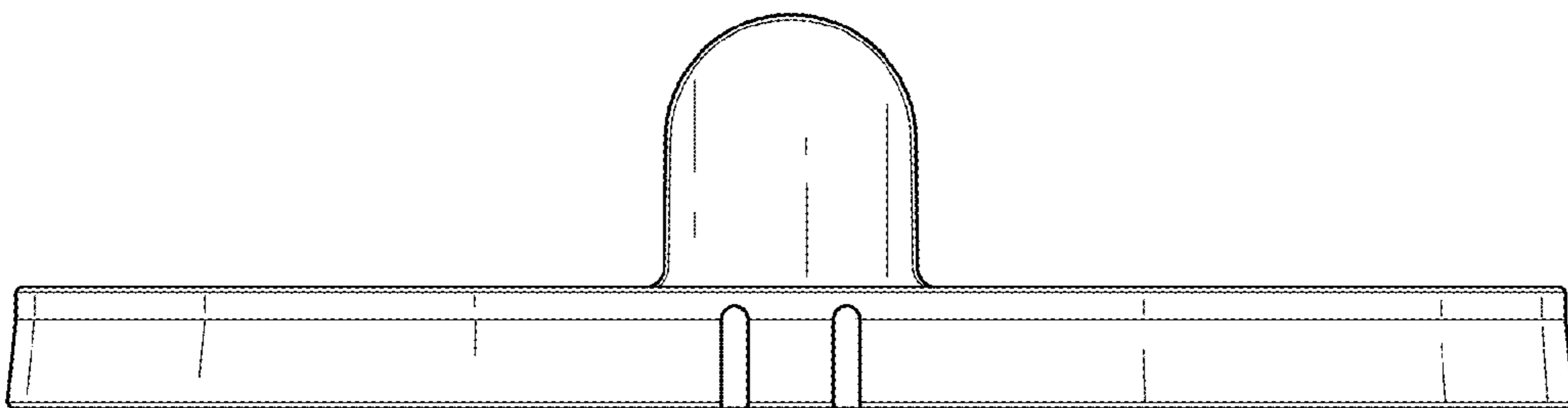


FIG. 21

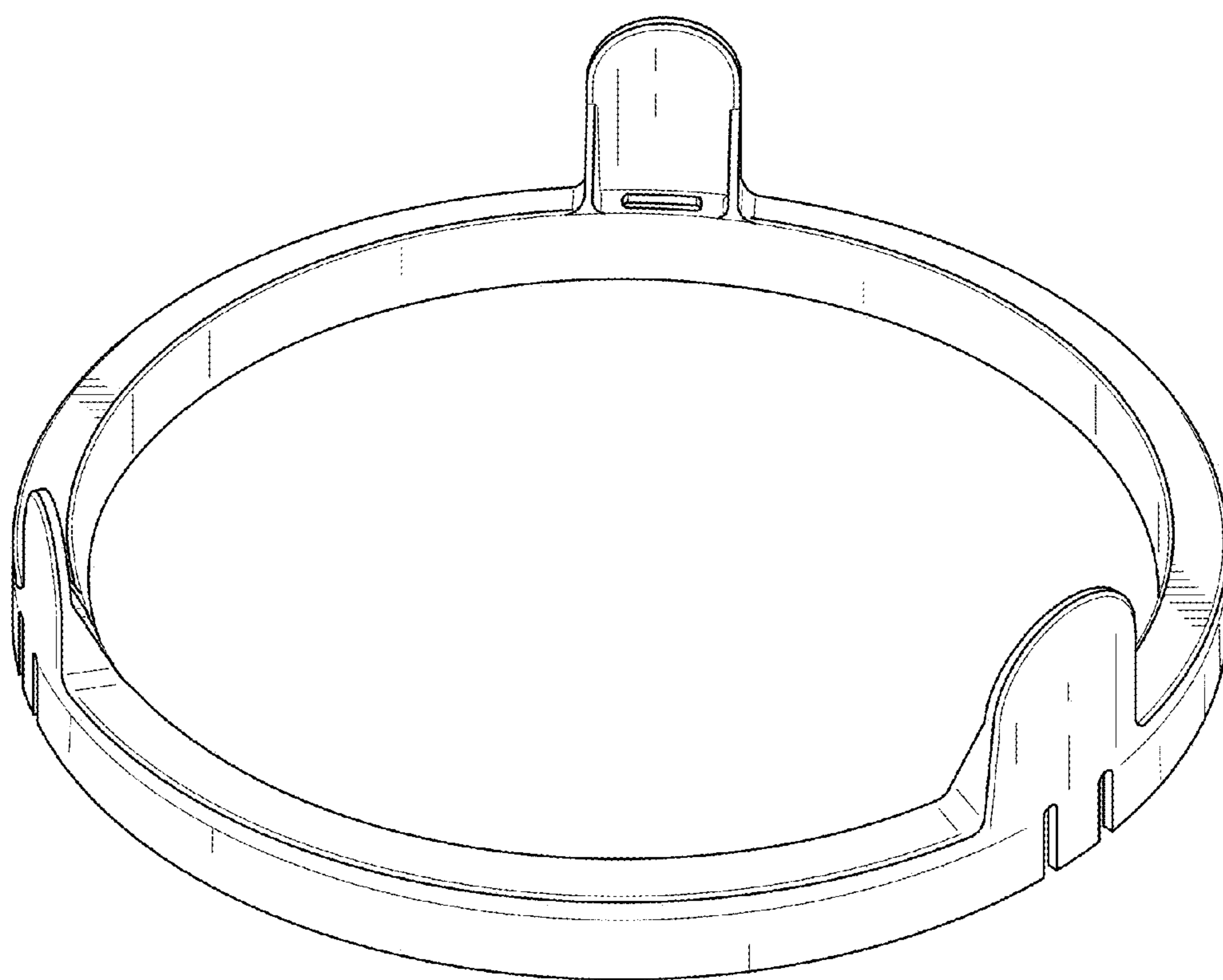


FIG. 22

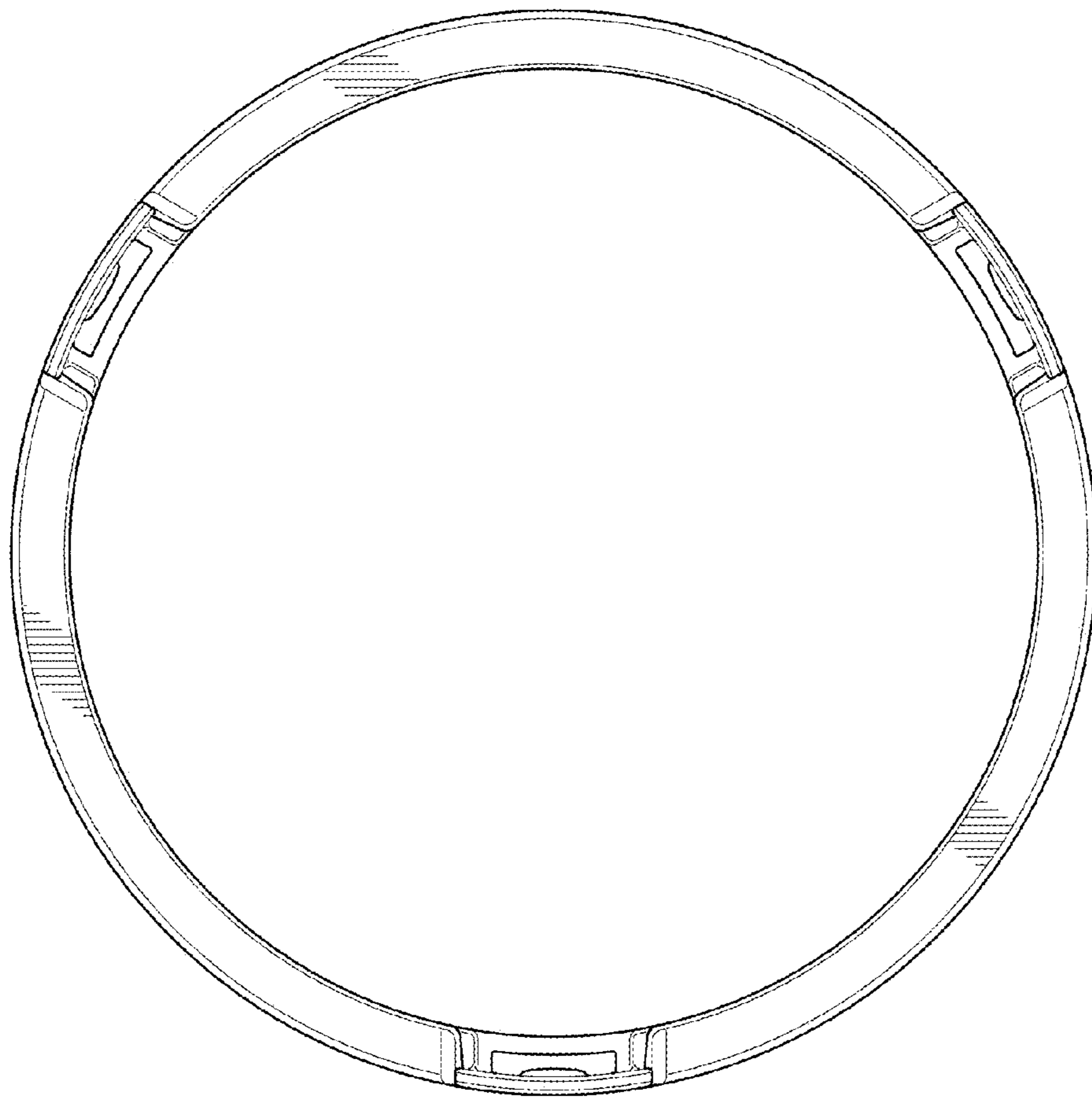


FIG. 23



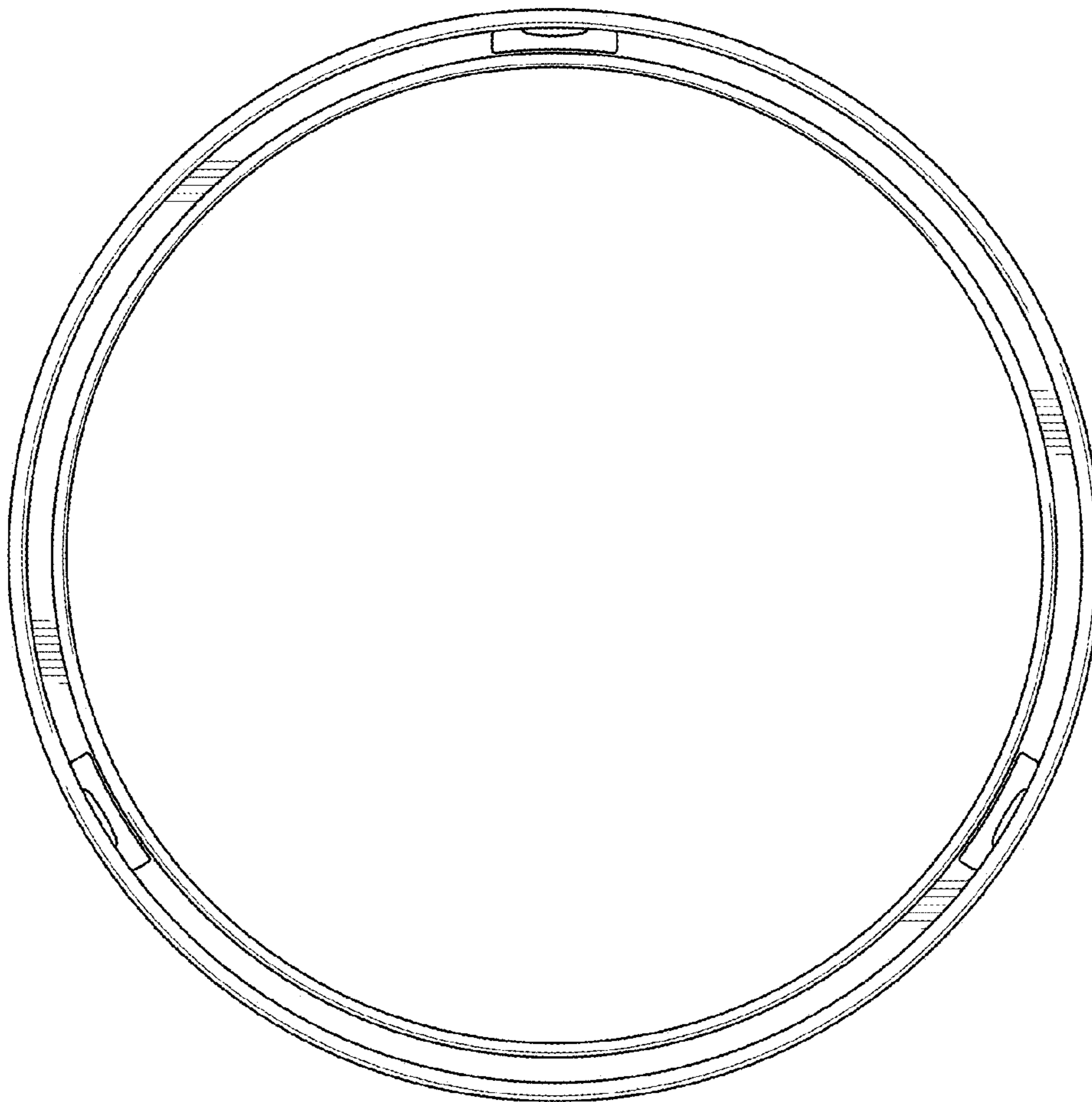


FIG. 24

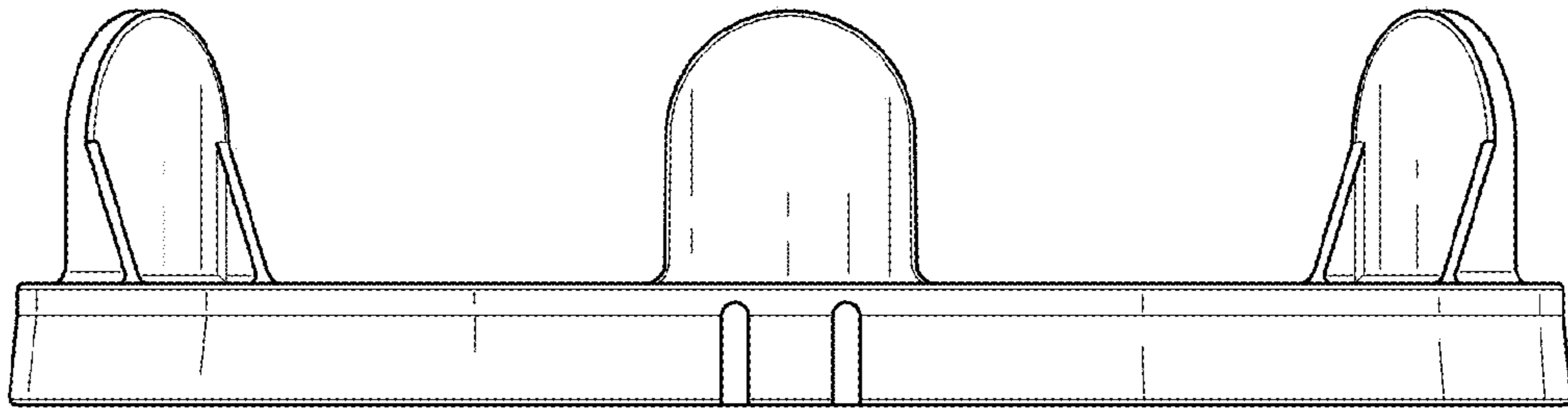


FIG. 25

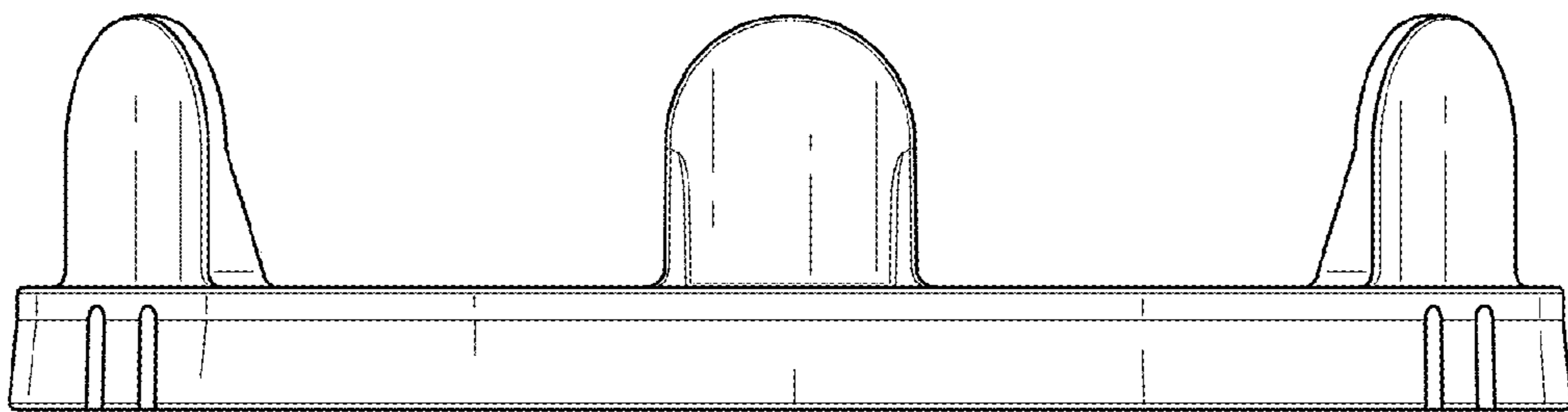


FIG. 26



FIG. 27

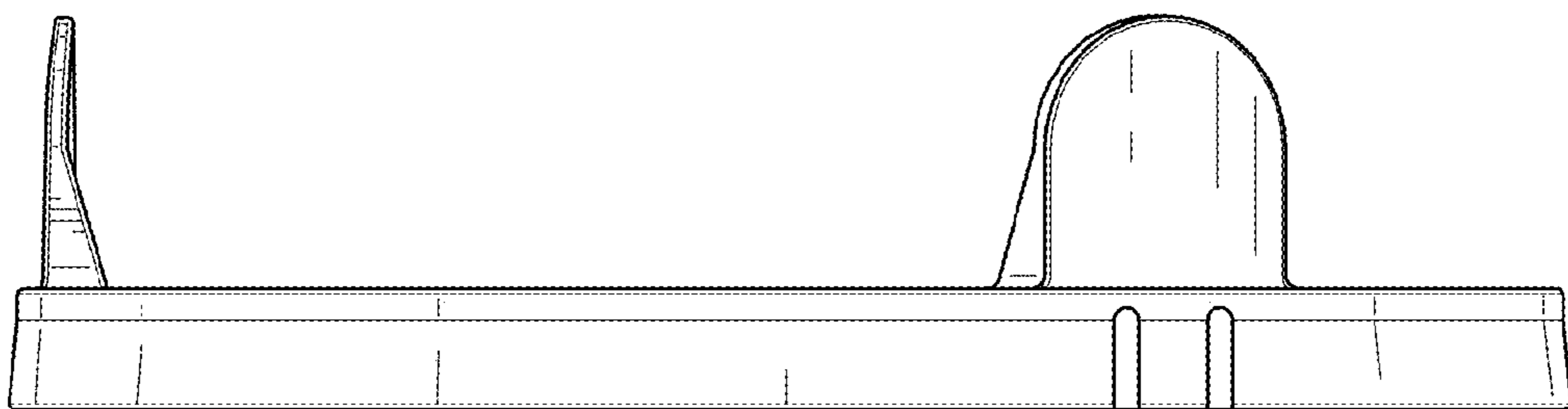


FIG. 28