

US00D766532S

(12) **United States Design Patent**  
**Kang**

(10) **Patent No.:** **US D766,532 S**

(45) **Date of Patent:** **\*\* Sep. 13, 2016**

(54) **CONTAINER**

(71) Applicant: **EcoTrio, LLC**, Chicago, IL (US)

(72) Inventor: **Deborah Kang**, Chicago, IL (US)

(73) Assignee: **Ecotrio, LLC**, Chicago, IL (US)

(\*\*) Term: **14 Years**

(21) Appl. No.: **29/520,274**

(22) Filed: **Mar. 12, 2015**

(51) **LOC (10) Cl.** ..... **09-09**

(52) **U.S. Cl.**  
USPC ..... **D34/1**

(58) **Field of Classification Search**  
USPC ..... D34/1-11; 220/908, 908.1, 909, 911  
CPC ..... D65F 1/163; D65F 1/08; D65F 1/1607;  
D65F 1/06; D65F 1/1615; D65F 1/062;  
D65F 1/068  
See application file for complete search history.

(56) **References Cited**

**U.S. PATENT DOCUMENTS**

D540,500 S 4/2007 Kang  
D566,364 S 4/2008 Kang

D605,822 S \* 12/2009 Cantrell ..... D34/1  
D659,336 S 5/2012 Busch  
D668,414 S \* 10/2012 McNay ..... D34/7  
D681,301 S \* 4/2013 Bennie ..... D34/1

\* cited by examiner

*Primary Examiner* — Cynthia Ramirez

(74) *Attorney, Agent, or Firm* — Barnes & Thornburg LLP

(57) **CLAIM**

What is claimed is the ornamental design for a container, as shown and described.

**DESCRIPTION**

FIG. 1 is a perspective view of the container;  
FIG. 2 is a front elevational view thereof;  
FIG. 3 is a left side elevational view thereof;  
FIG. 4 is a right side elevational view thereof;  
FIG. 5 is a rear elevational view thereof;  
FIG. 6 is a top plan view thereof;  
FIG. 7 is a top plan view taken along line 7-7 in FIG. 1; and,  
FIG. 8 is a bottom plan view thereof.

**1 Claim, 8 Drawing Sheets**

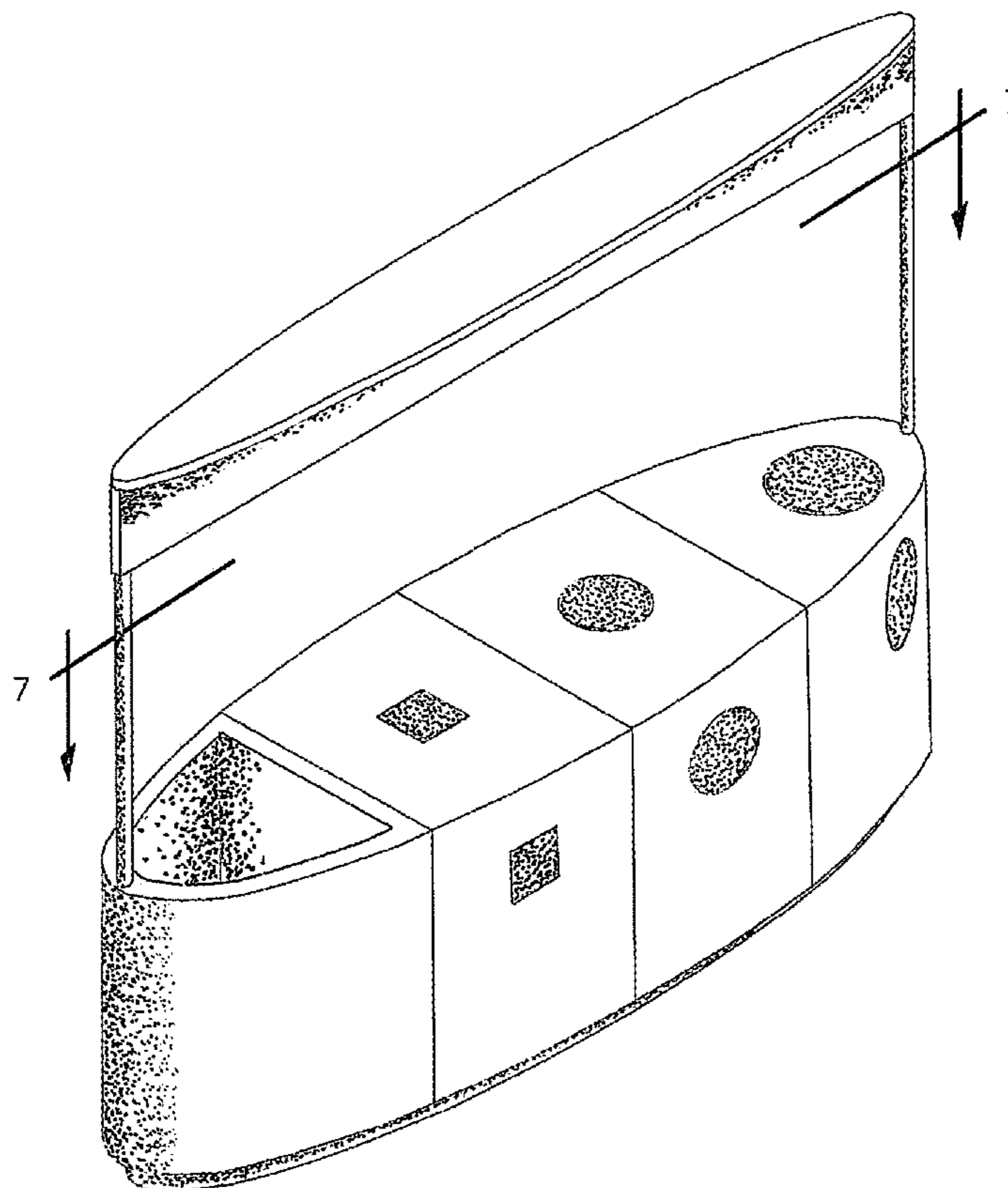


FIG. 1

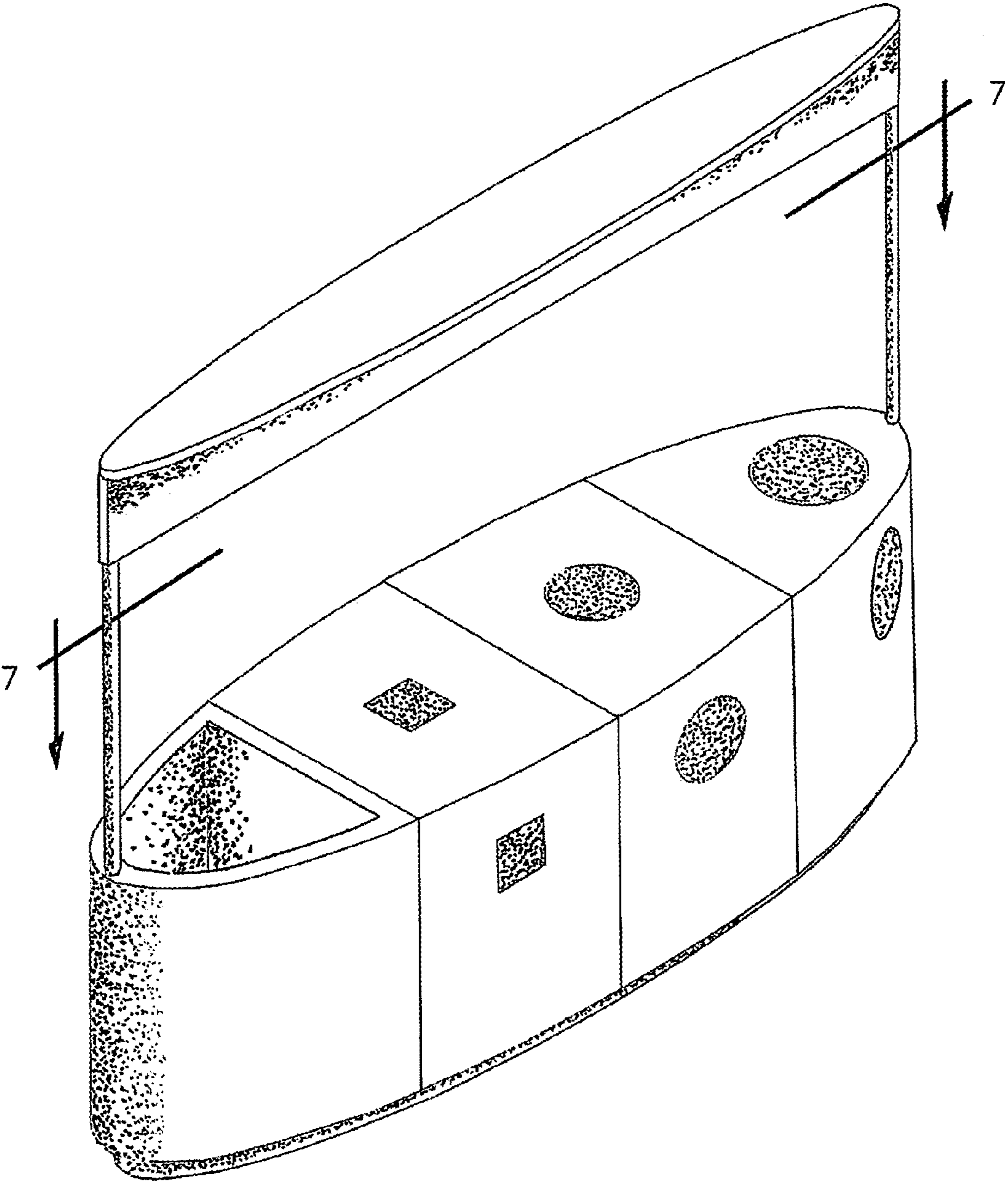


FIG.2

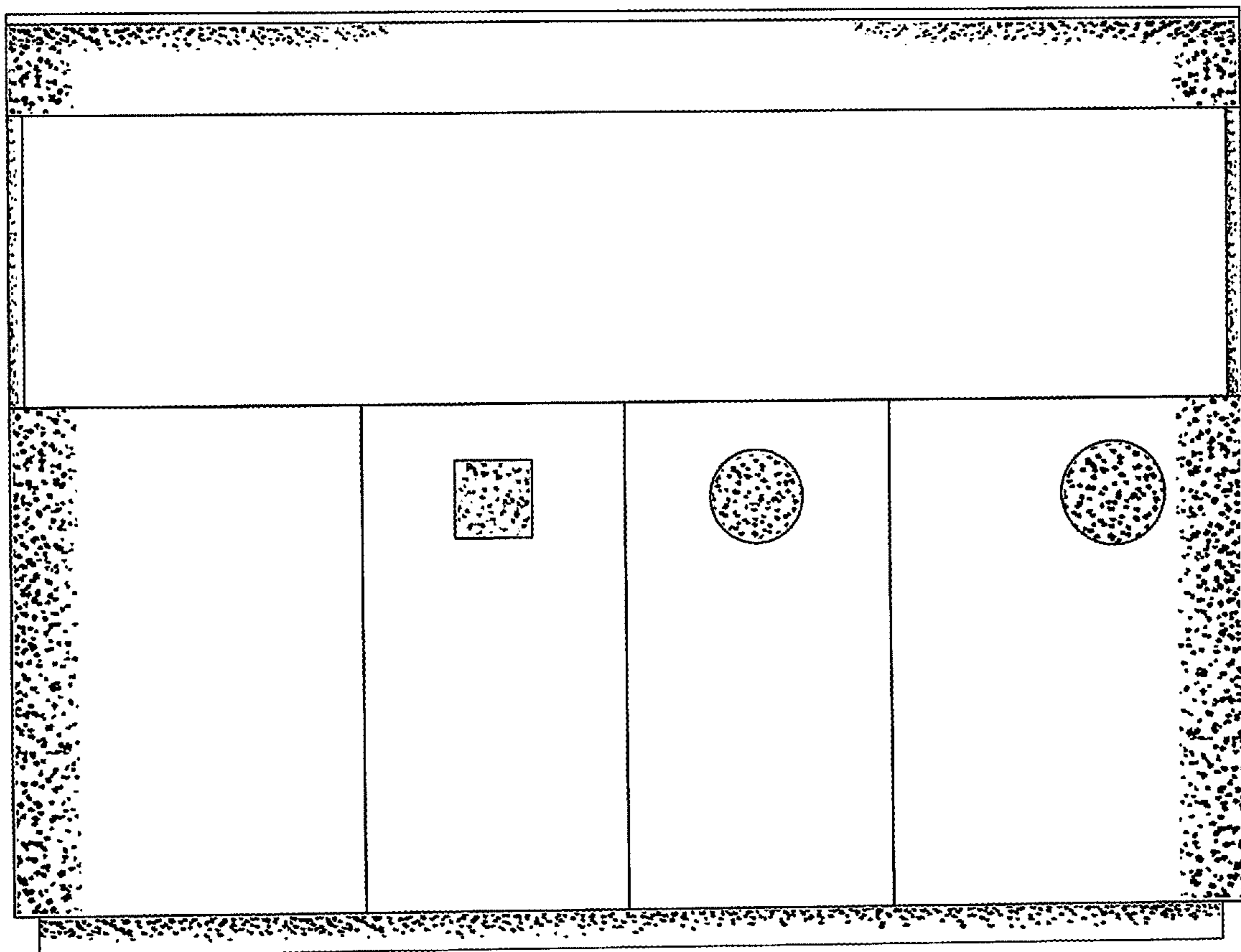


FIG. 3

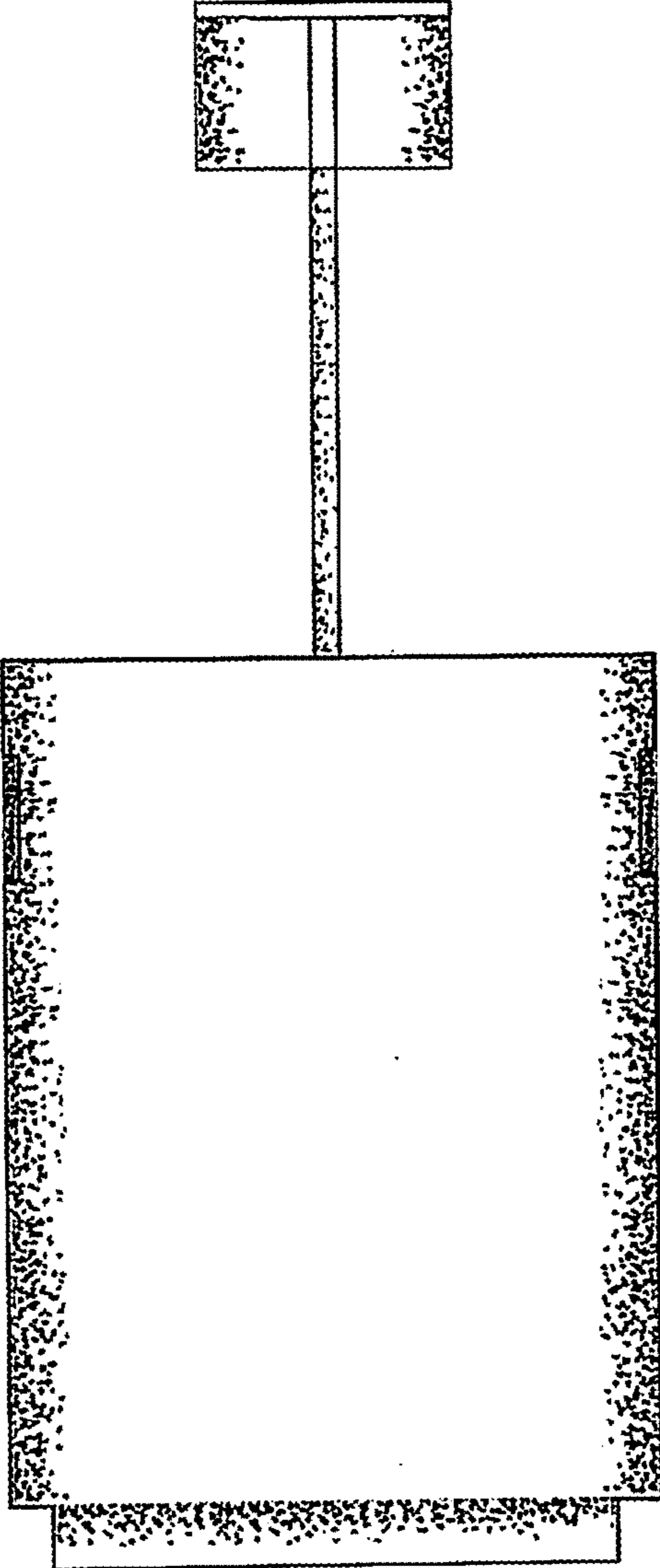


FIG. 4

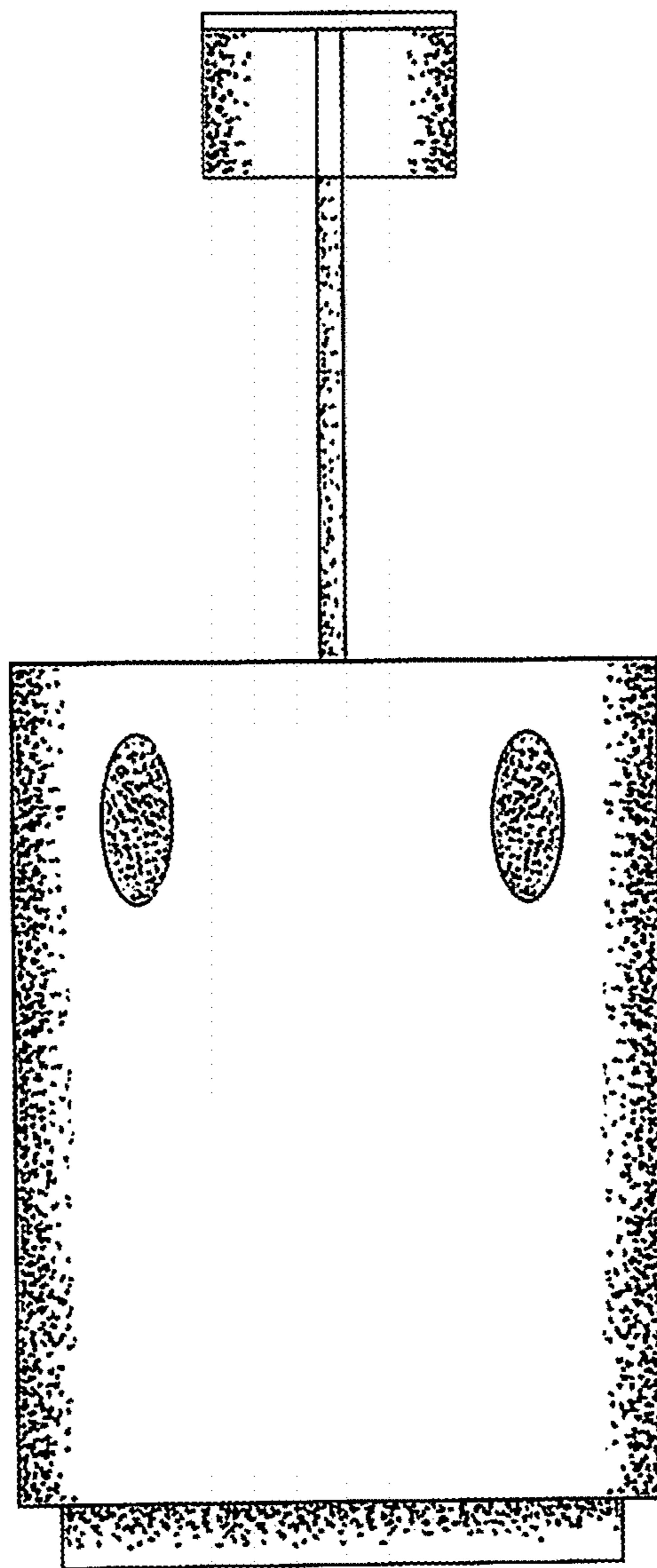




FIG. 5

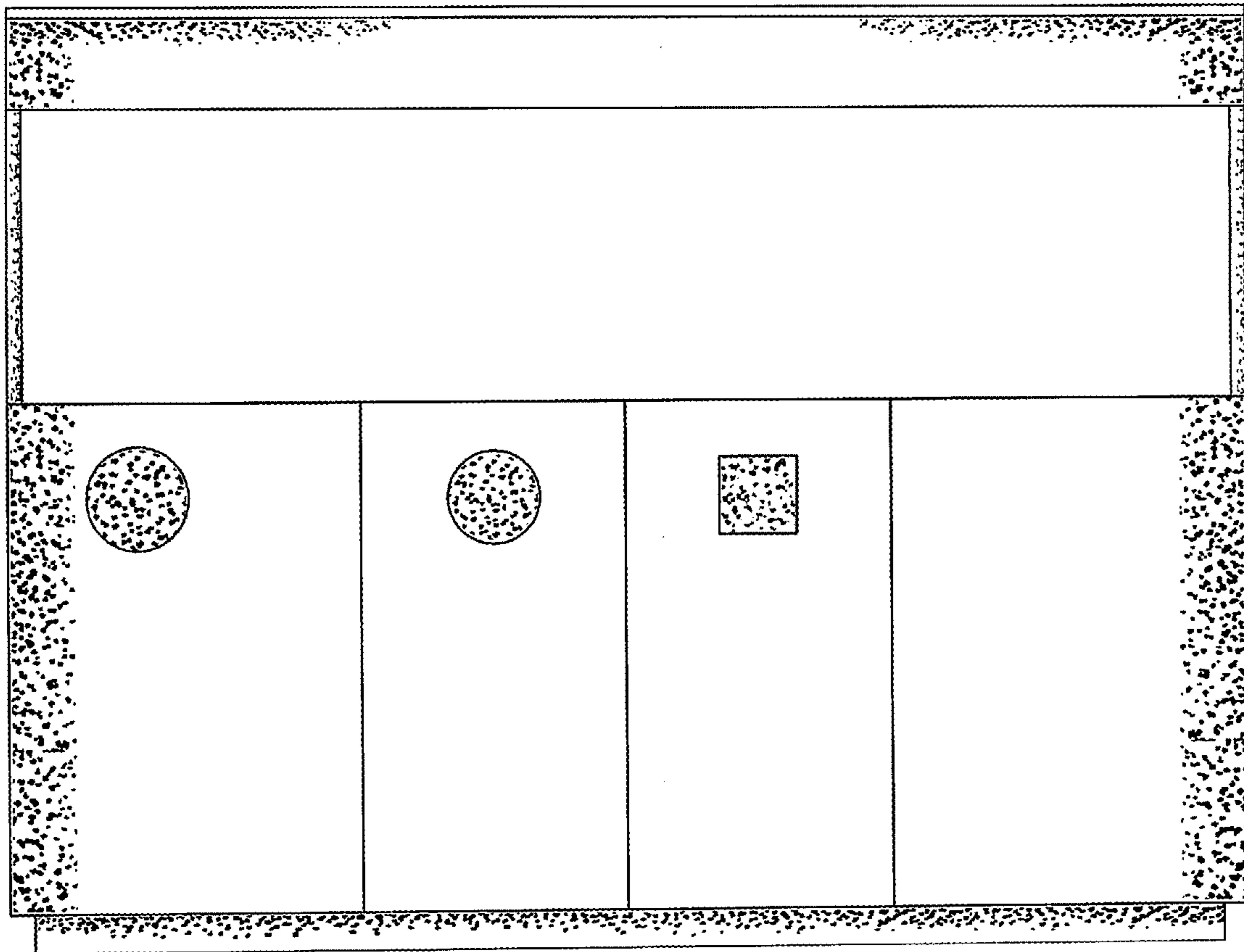


FIG.6

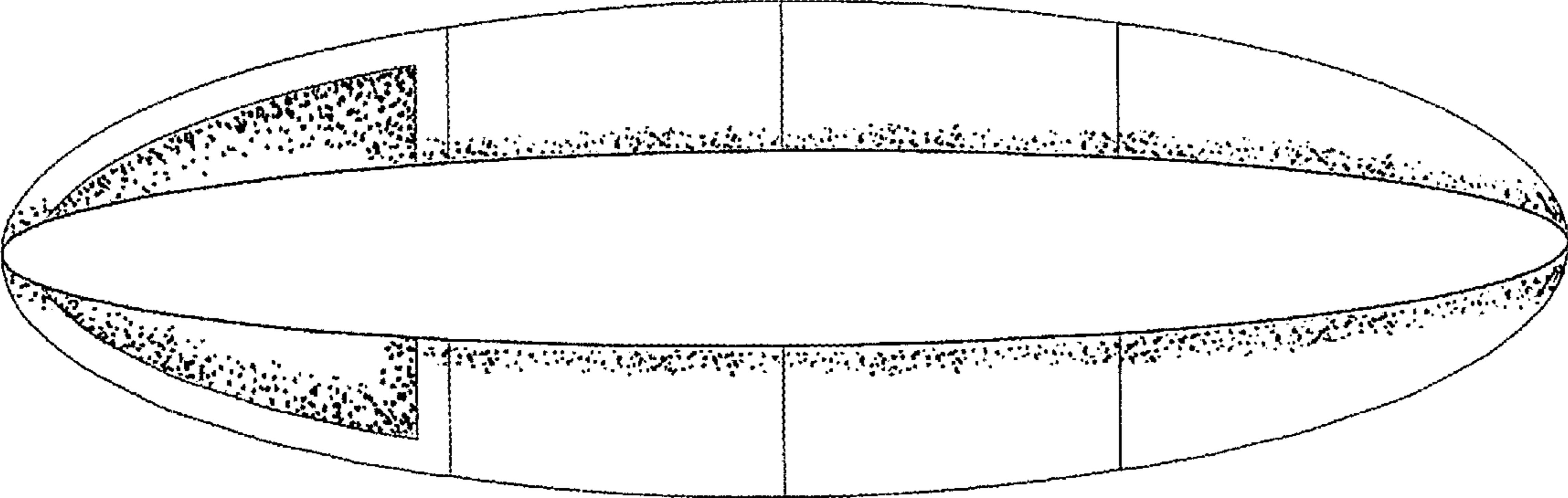


FIG. 7

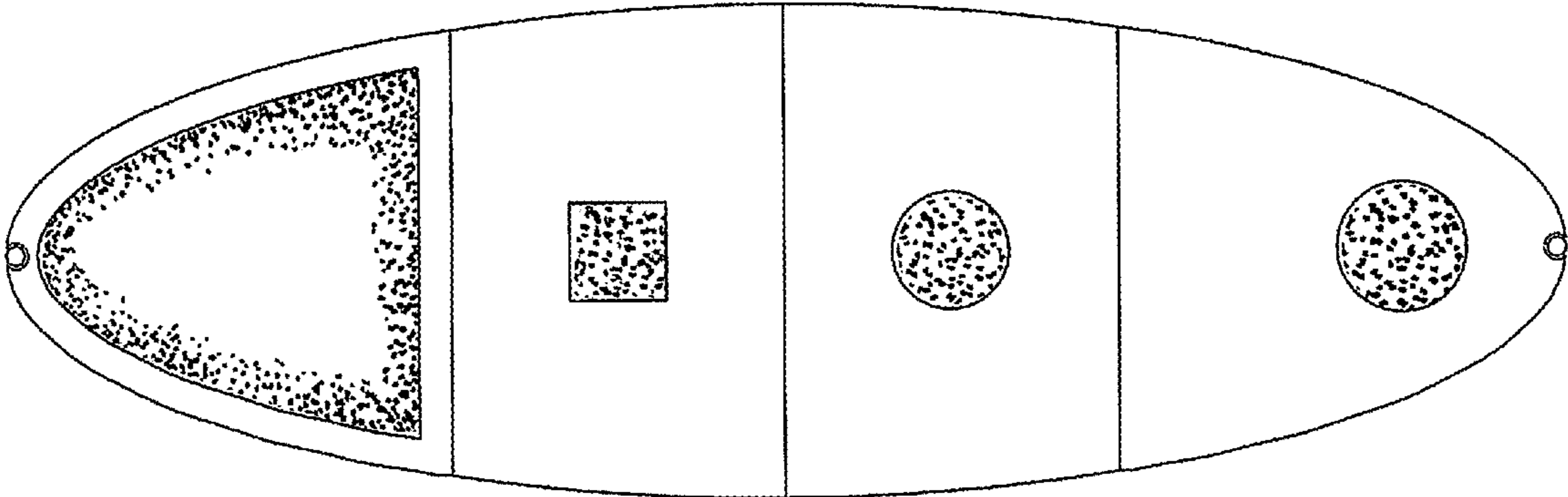




FIG. 8

