



US00D766531S

(12) **United States Design Patent** (10) **Patent No.:** **US D766,531 S**
Verdoia et al. (45) **Date of Patent:** **** Sep. 13, 2016**

(54) **GLOVE AIR DRYING DEVICE**
(71) Applicants: **Robert Verdoia**, Orlando, FL (US);
Clint Minear, Orlando, FL (US)
(72) Inventors: **Robert Verdoia**, Orlando, FL (US);
Clint Minear, Orlando, FL (US)
(73) Assignee: **Dry-Grip LLC**, Cocoa, FL (US)
(**) Term: **14 Years**

D347,094 S * 5/1994 Christensen, Jr. D32/58
D412,381 S * 7/1999 Peet D32/58
6,216,359 B1 * 4/2001 Peet A47L 23/205
34/105
D519,255 S * 4/2006 Peet D32/59
D576,773 S * 9/2008 Beckett D32/58
D581,109 S * 11/2008 Totz D32/8
D604,916 S * 11/2009 Mansour D32/8
7,716,849 B1 * 5/2010 Hicks D06F 59/06
211/182
8,186,075 B2 * 5/2012 Beckett A47L 23/205
34/106
D686,342 S * 7/2013 Peet D24/232

(21) Appl. No.: **29/526,393**

* cited by examiner

(22) Filed: **May 8, 2015**

Primary Examiner — Austin Murphy

(51) **LOC (10) Cl.** **07-05**

(74) *Attorney, Agent, or Firm* — Jason T. Daniel, Esq.;
Daniel Law Offices, P.A.

(52) **U.S. Cl.**
USPC **D32/58**

(58) **Field of Classification Search**
USPC D32/55, 276, 3; D6/510, 525; D30/133;
211/41.5, 41.4, 41.3, 41.8; 361/679.4;
312/311, 333, 334.4; D7/354, 629
CPC A47J 47/20; A47J 2201/00; A47J 47/00;
B65D 35/02; B65D 35/22; B65D 35/56
See application file for complete search history.

(57) **CLAIM**
The ornamental design for a glove air drying device, as shown and described.

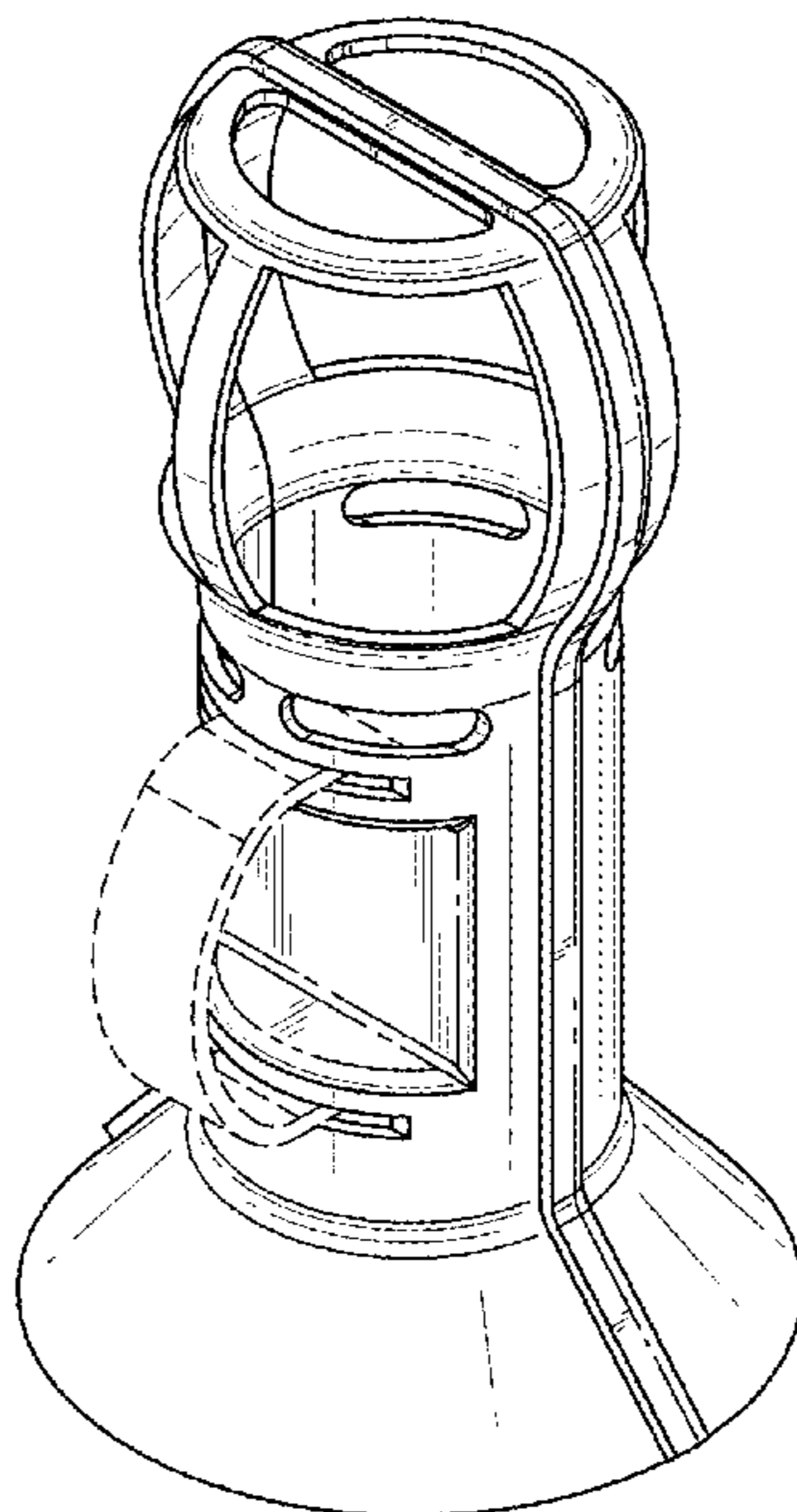
DESCRIPTION

FIG. 1 is a perspective view thereof,
FIG. 2 is a front side view thereof,
FIG. 3 is a bottom side view thereof,
FIG. 4 is a top side view thereof,
FIG. 5 is a right side view thereof; and,
FIG. 6 is a back side view thereof.
The left side is symmetrical to the right side.

(56) **References Cited**
U.S. PATENT DOCUMENTS

2,076,735 A * 4/1937 Leindorf A43B 7/025
12/123
3,417,482 A * 12/1968 Peet A47L 23/20
219/523

1 Claim, 2 Drawing Sheets



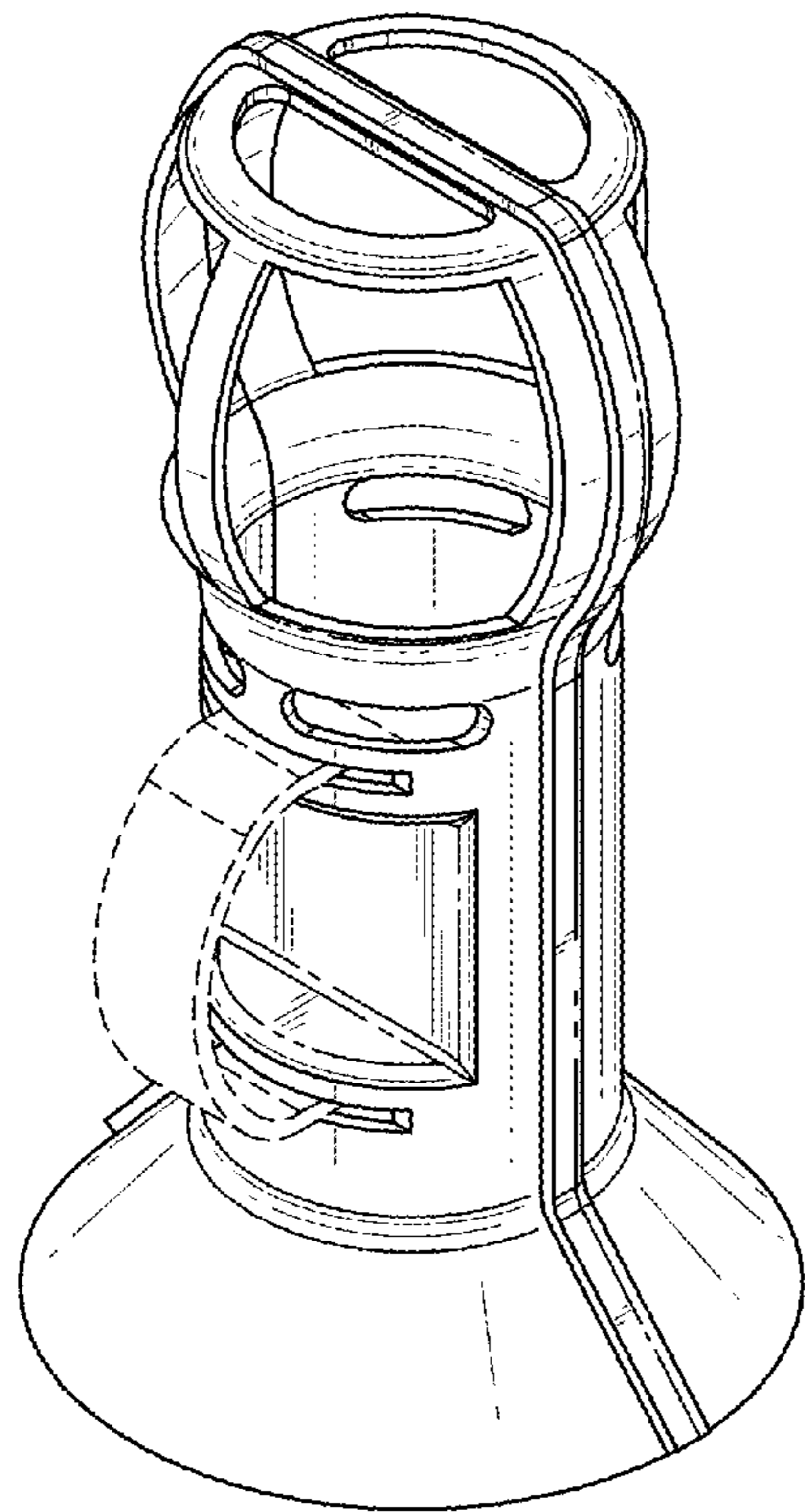


FIG. 1

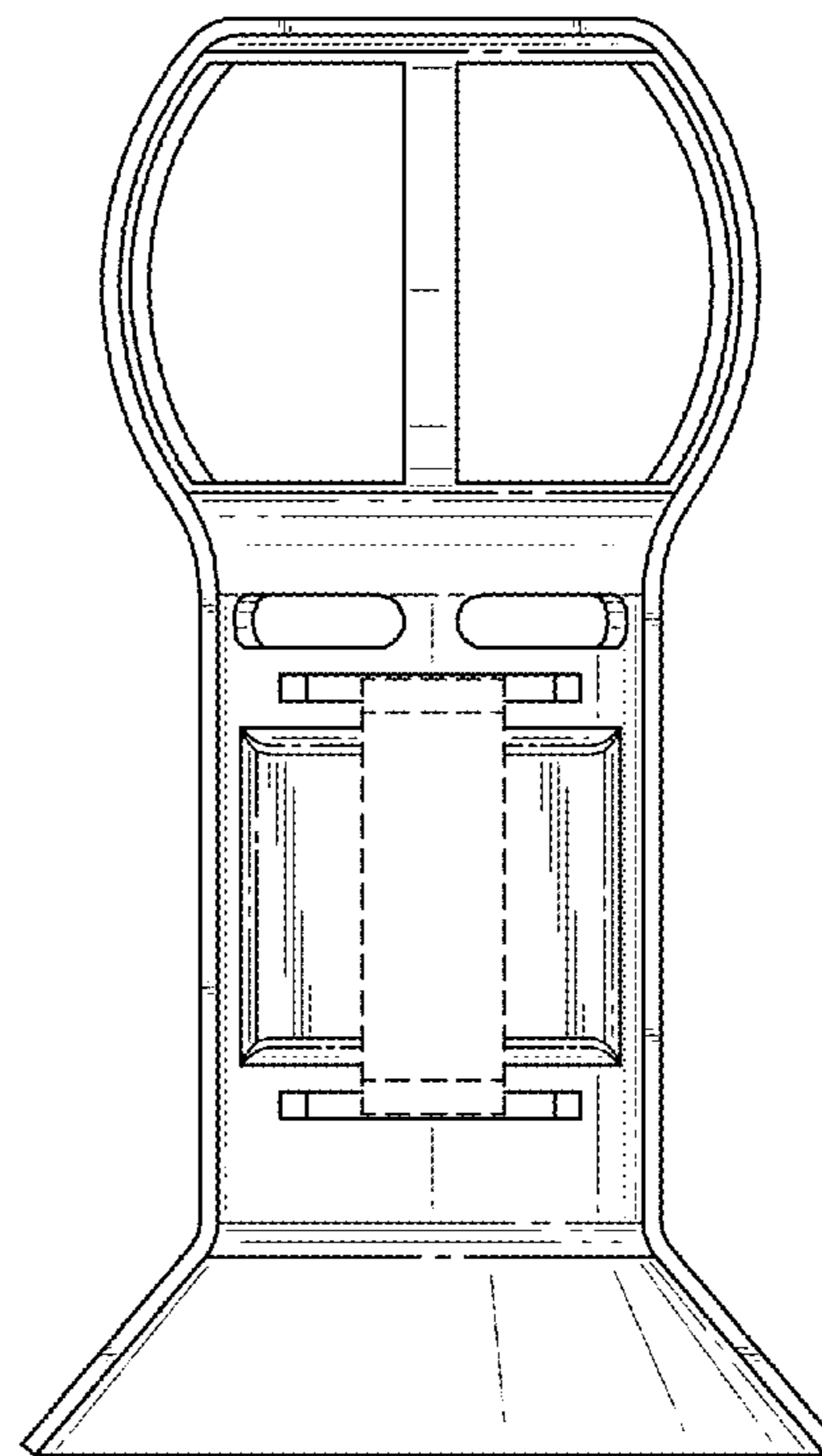


FIG. 2

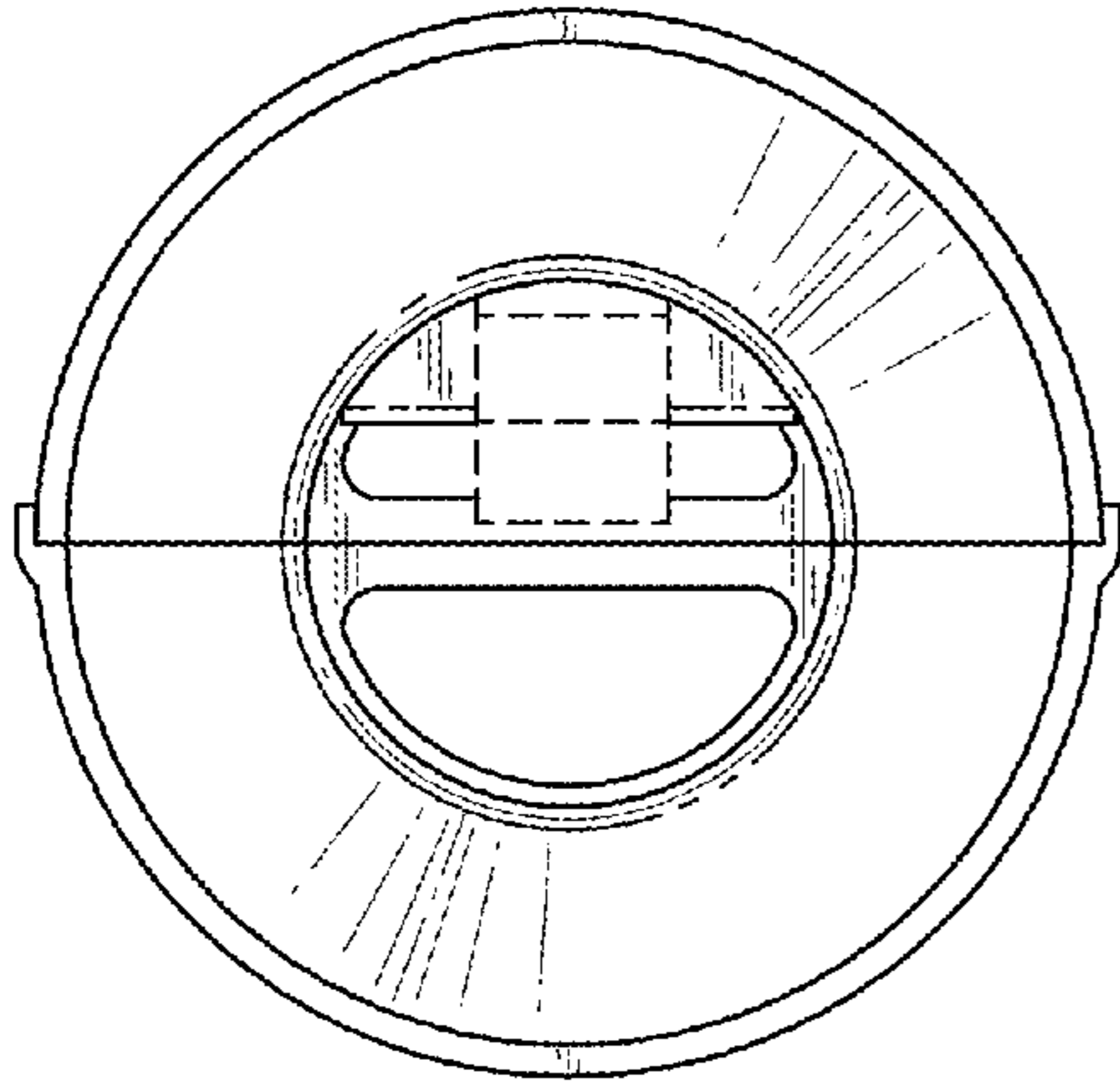


FIG. 3

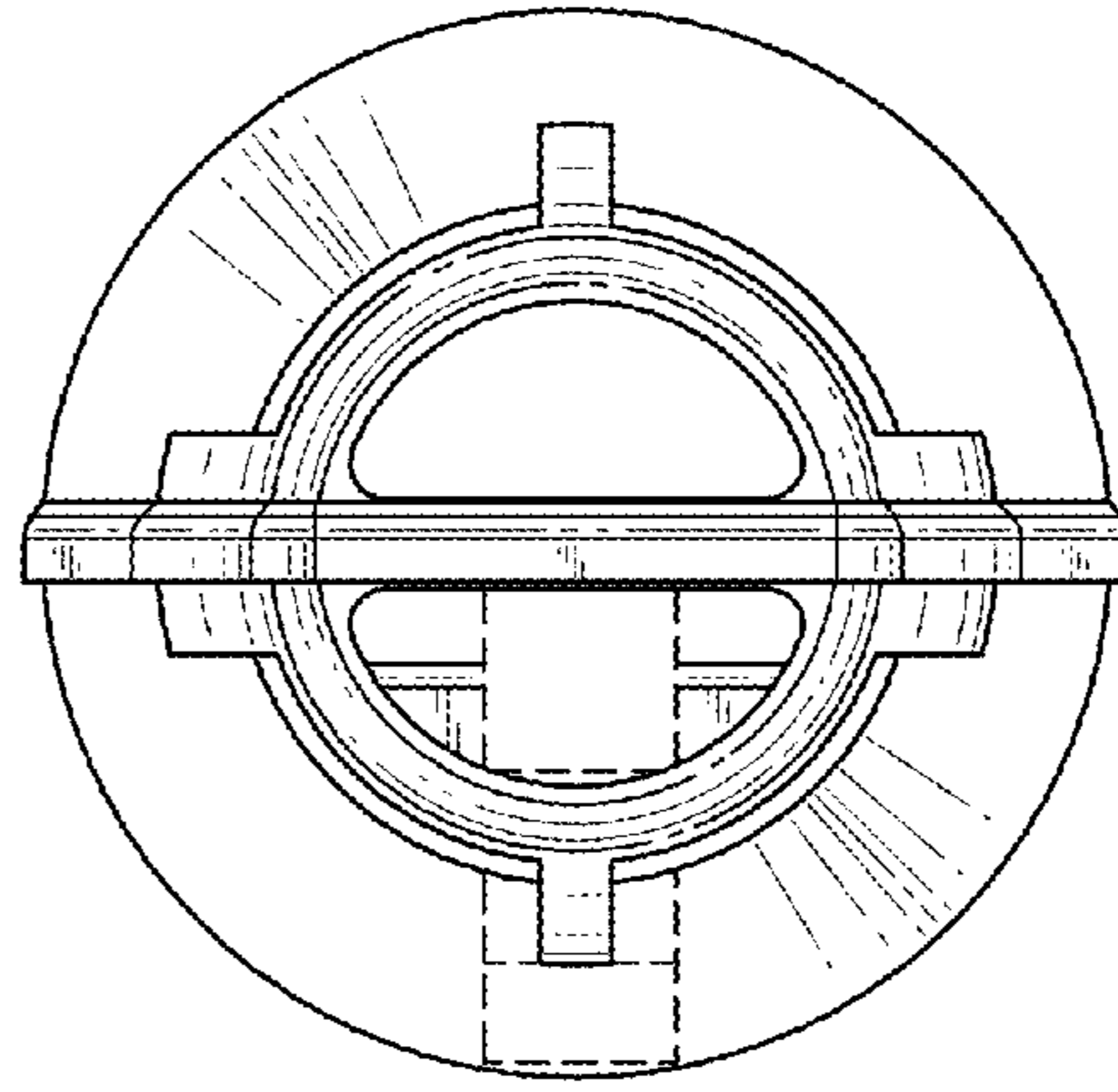


FIG. 4

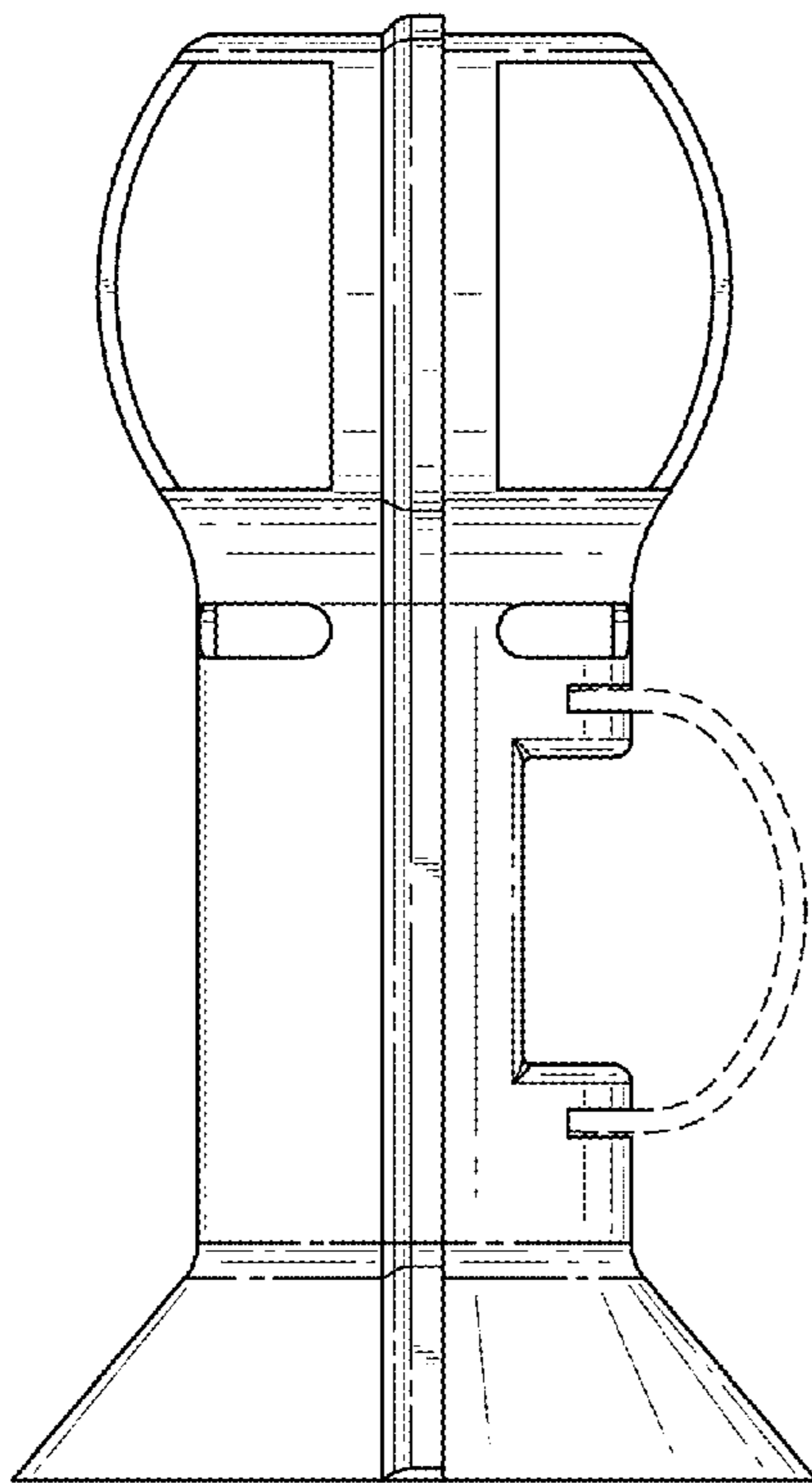


FIG. 5

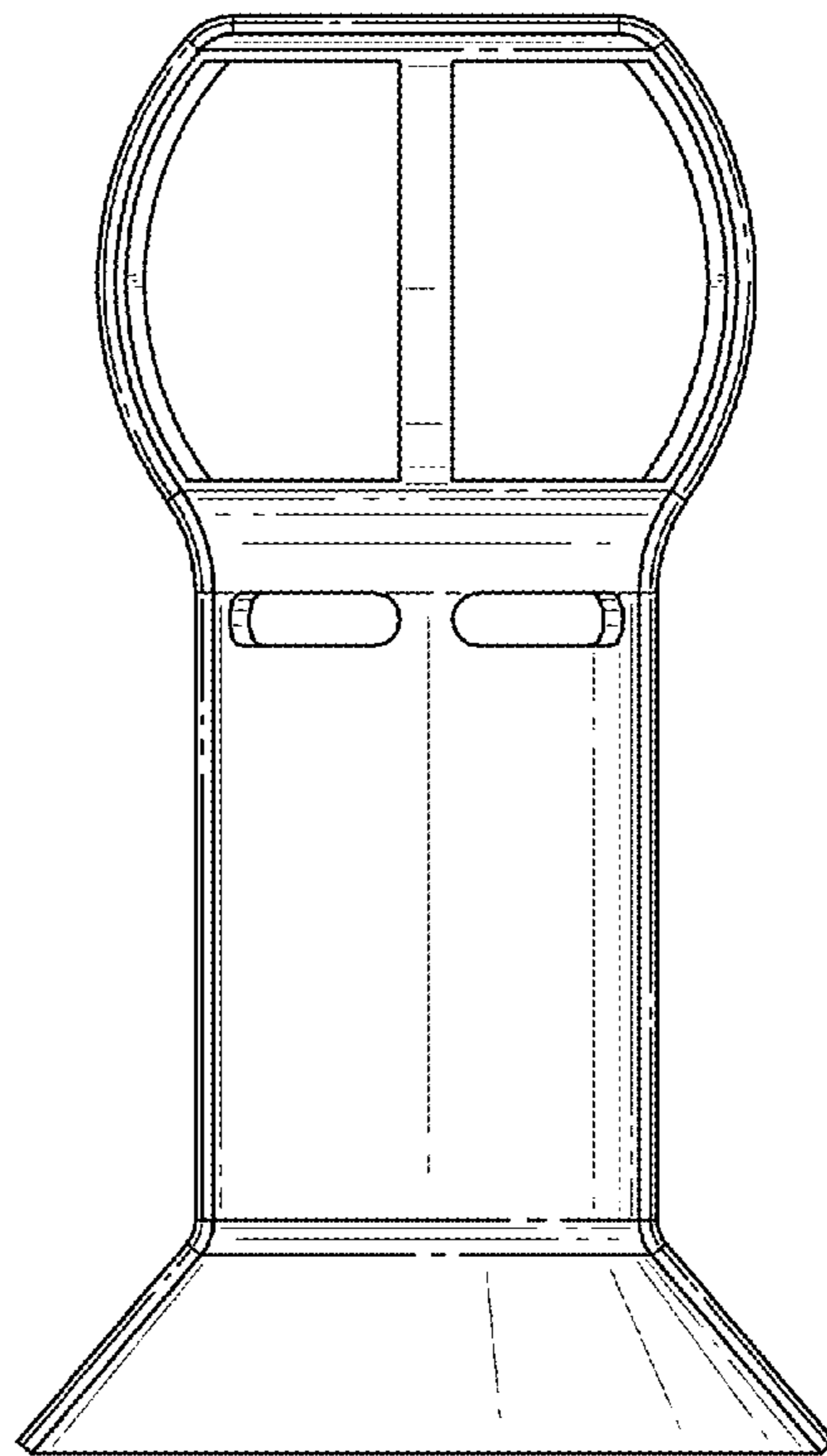


FIG. 6