



US00D766529S

(12) **United States Design Patent**
Kim et al.

(10) **Patent No.:** **US D766,529 S**
(45) **Date of Patent:** **** Sep. 13, 2016**

(54) **CLEANER**

FOREIGN PATENT DOCUMENTS

(71) Applicant: **Samsung Electronics Co., Ltd.**,
Suwon-si (KR)

CN 301182178 * 5/2010
CN 301641393 * 8/2011
GB 2057077 * 9/1996

(72) Inventors: **In Shik Kim**, Seongnam-si (KR); **Sang Min Hyun**, Seoul (KR)

OTHER PUBLICATIONS

(73) Assignee: **Samsung Electronics Co., Ltd.**,
Suwon-si (KR)

Amazon.com: DC97-15589A Assy Hose, http://www.amazon.com/...sy-Hose/dp/B008KFI1DU/ref=sr_1_91?s=home-garden&ie=UTF8&qid=1457046912&sr=1-91&keywords=samsung+vacuum&refinements=p_89%3ASamsung, [site visited Mar. 3, 2016 6:16:31 PM].*

(**) Term: **14 Years**

Primary Examiner — John Windmuller

(21) Appl. No.: **29/500,868**

Assistant Examiner — John R Yeh

(22) Filed: **Aug. 29, 2014**

(74) *Attorney, Agent, or Firm* — NSIP Law

(30) **Foreign Application Priority Data**

(57) **CLAIM**

Mar. 7, 2014 (KR) 30-2014-0011634

We claim the ornamental design for a cleaner, as shown and described.

(51) **LOC (10) Cl.** **04-01**

DESCRIPTION

(52) **U.S. Cl.**
USPC **D32/50**

(58) **Field of Classification Search**
USPC D32/35, 40, 49-53, 71-72, 18, 21-22;
D8/107, 81-83; D7/393, 648
CPC A47L 13/12; A47L 13/16; A47L 13/20;
A47L 13/24; A47L 13/144; A47L 13/146;
B24D 13/045; B25B 23/16
See application file for complete search history.

FIG. 1 is a front perspective view of a cleaner showing our new design;
FIG. 2 is a front view thereof;
FIG. 3 is a rear view thereof;
FIG. 4 is a left-side view thereof;
FIG. 5 is a right-side view thereof;
FIG. 6 is a top view thereof;
FIG. 7 is a bottom view thereof;
FIG. 8 is another left-side view thereof, in which the cleaner is shown in an alternate position;
FIG. 9 is another front perspective view thereof, in which the cleaner is provided in a partially open position; and,
FIG. 10 is an enlarged view of the encircled portion in FIG. 4.

(56) **References Cited**

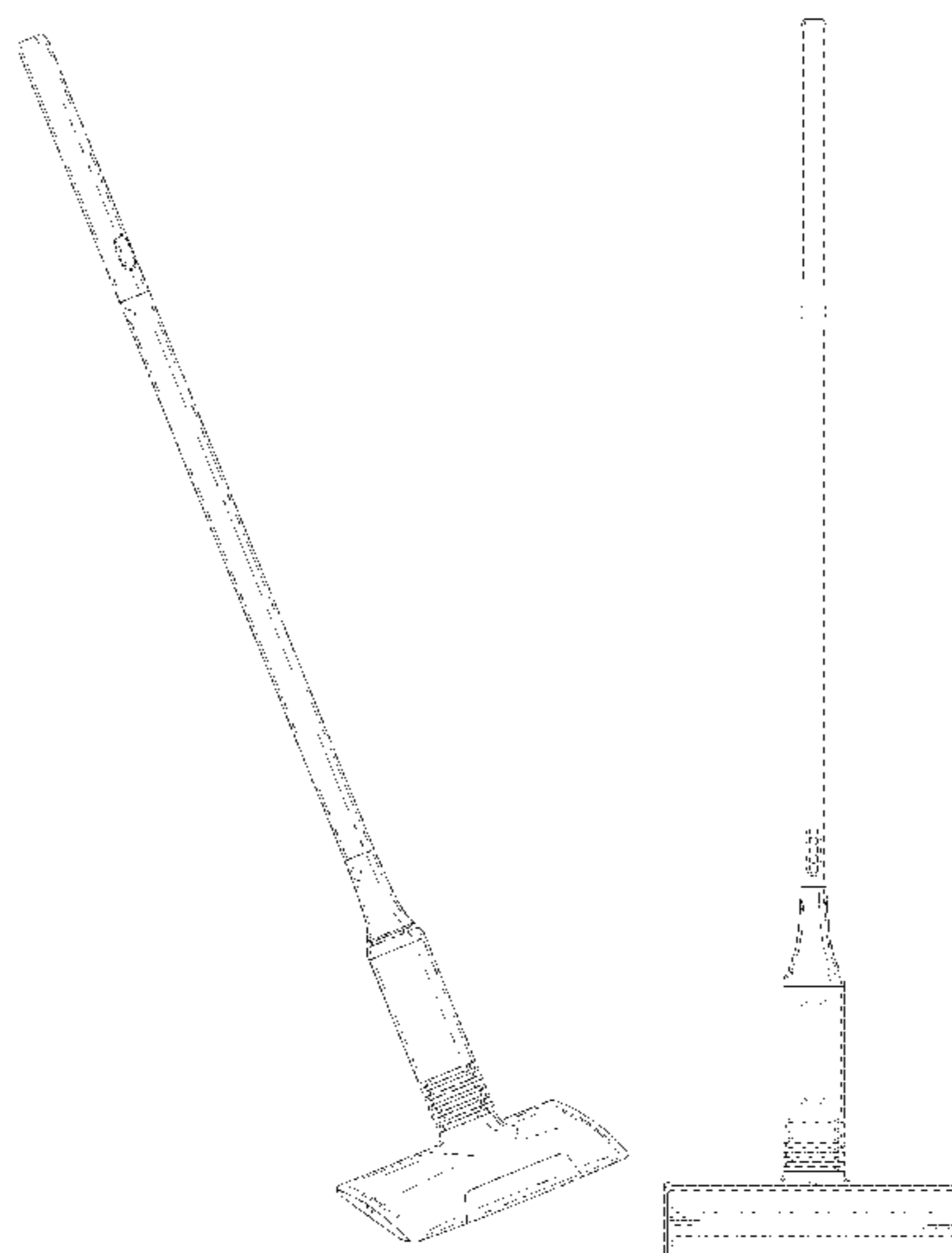
U.S. PATENT DOCUMENTS

67,643 A * 8/1867 Garretson A47L 13/24
15/153
142,328 A * 9/1873 Davis A47L 13/24
15/153
424,750 A * 4/1890 Adams A47L 13/24
15/153
871,246 A * 11/1907 Thomas A47L 13/12
15/116.1

The broken lines in the figures show portions of the cleaner which form no part of the claimed design.
The dot-dot-dash broken lines encircling portions of the claimed design that are illustrated in enlargements form no part of the claimed design.

(Continued)

1 Claim, 9 Drawing Sheets



(56)

References Cited

U.S. PATENT DOCUMENTS

952,301 A * 3/1910 Brakeman A47L 13/24
15/153
1,077,498 A * 11/1913 Welch A47L 13/24
15/229.2
1,117,209 A * 11/1914 Massey A47L 13/24
15/229.2
1,684,604 A * 9/1928 Stoessel A47L 13/48
15/246
2,079,452 A * 5/1937 Hunter A47L 13/24
15/104.002
2,296,149 A * 9/1942 De France D06F 5/02
68/215
2,439,174 A * 4/1948 Larson A47L 13/12
15/145
4,524,479 A * 6/1985 Wright A47L 13/24
15/147.1

D280,033 S * 8/1985 Miyamoto D32/18
D296,486 S * 6/1988 Staubitz D32/22
4,989,289 A * 2/1991 Bargellini B29C 45/14385
15/193
D328,165 S * 7/1992 Ferrari D32/22
5,172,447 A * 12/1992 Tomm A46B 5/0095
15/145
5,375,286 A * 12/1994 Harrah A46B 5/0095
15/147.1
D398,099 S * 9/1998 Leung D32/22
D544,668 S * 6/2007 Harper D32/51
7,246,399 B2 * 7/2007 Petner A47L 13/24
15/147.1
D565,814 S * 4/2008 Ågren D32/22
D565,816 S * 4/2008 Agren D32/22
2005/0022327 A1 * 2/2005 Cavalheiro A47L 13/142
15/120.1
2010/0218327 A1 * 9/2010 Chen A47L 13/20
15/228

* cited by examiner

FIG. 1

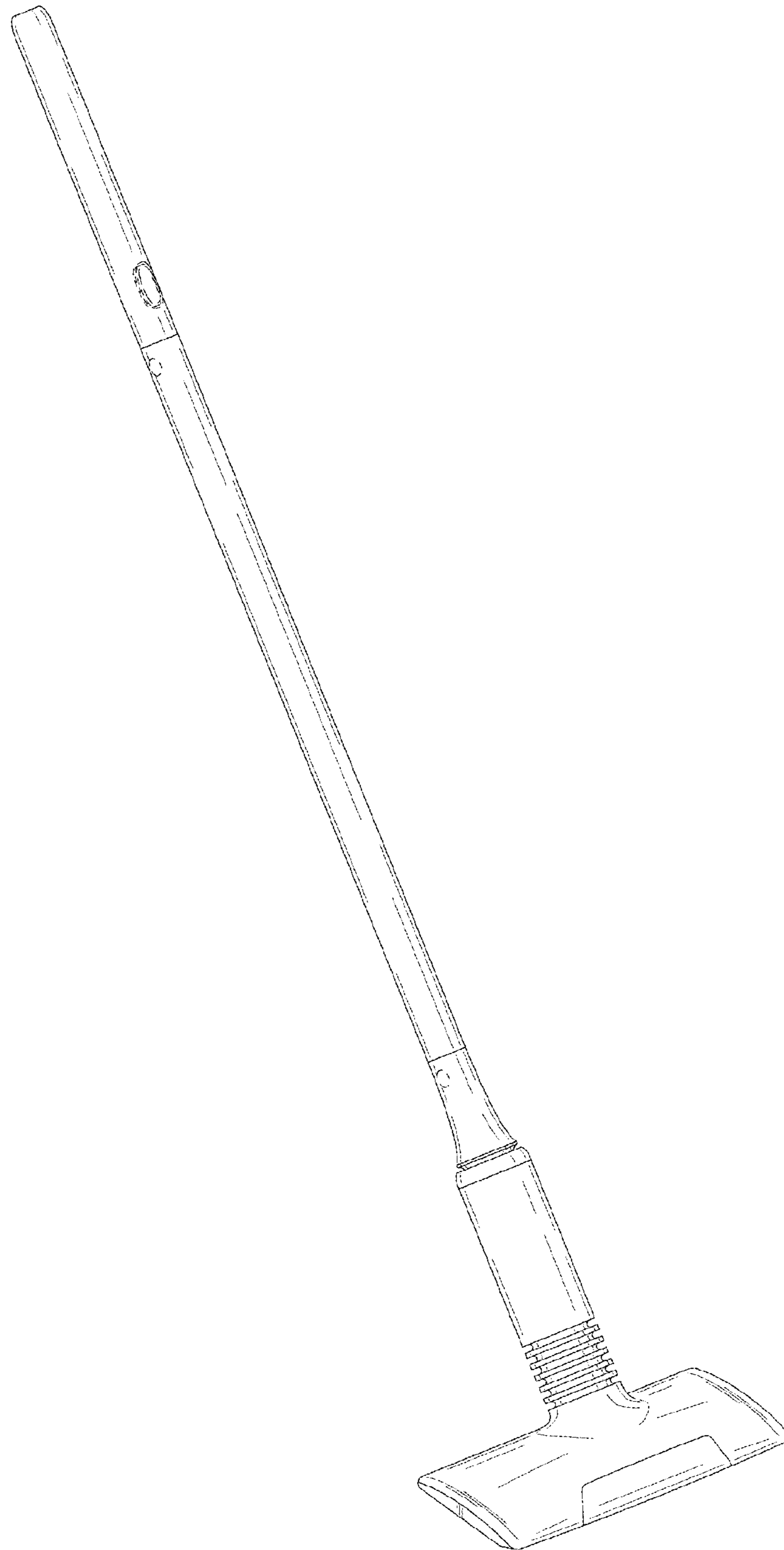


FIG. 2

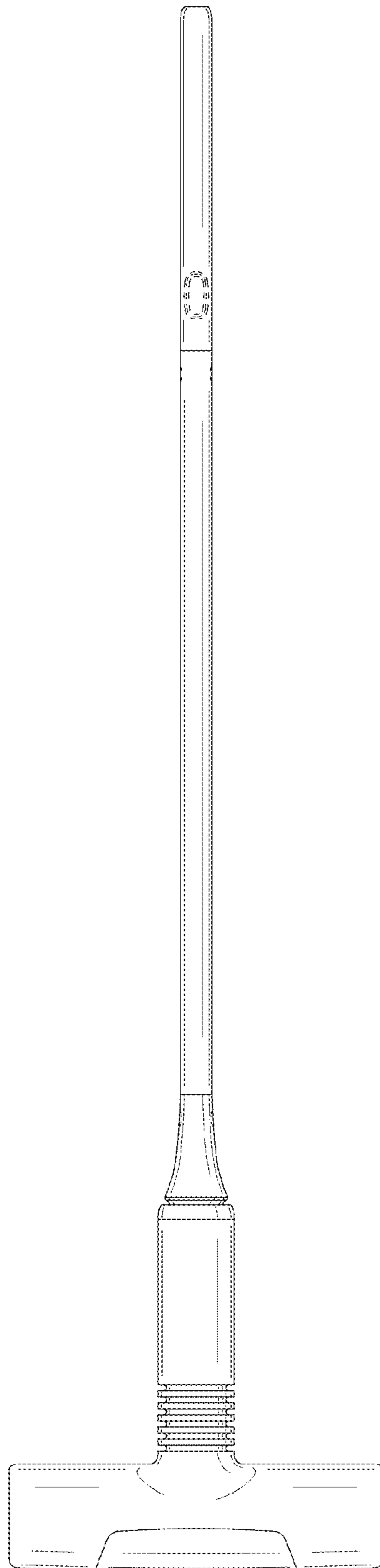


FIG. 3

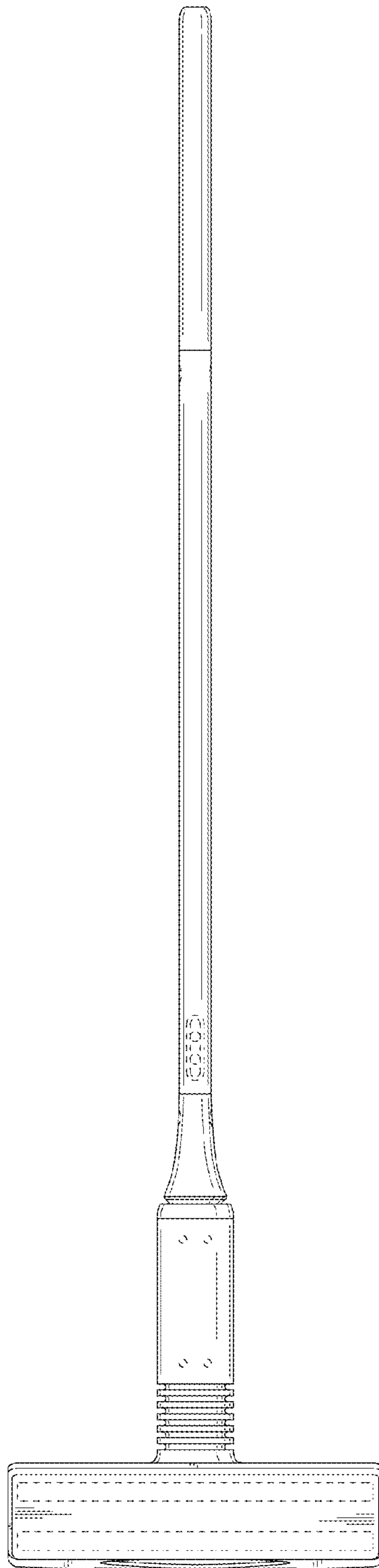


FIG. 4

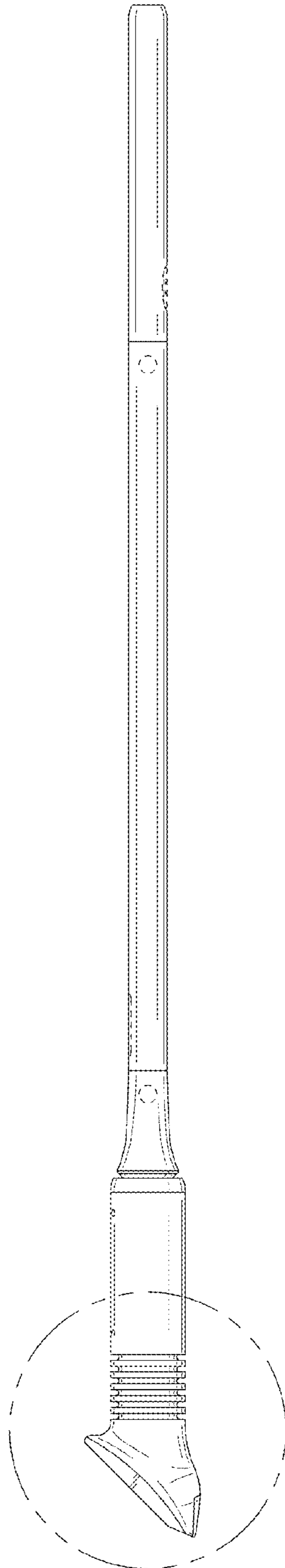


FIG. 5

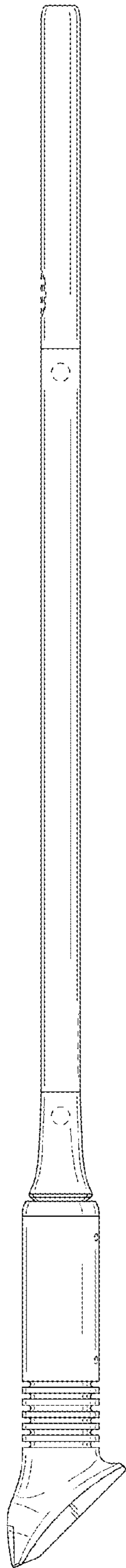


FIG. 6

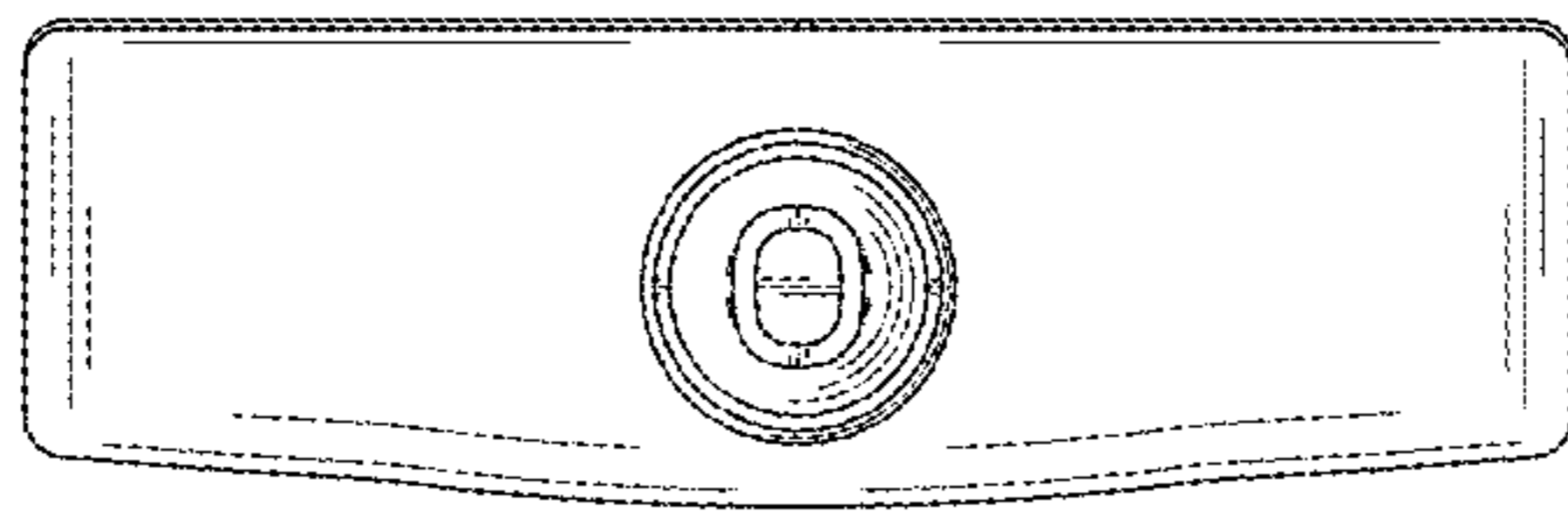


FIG. 7

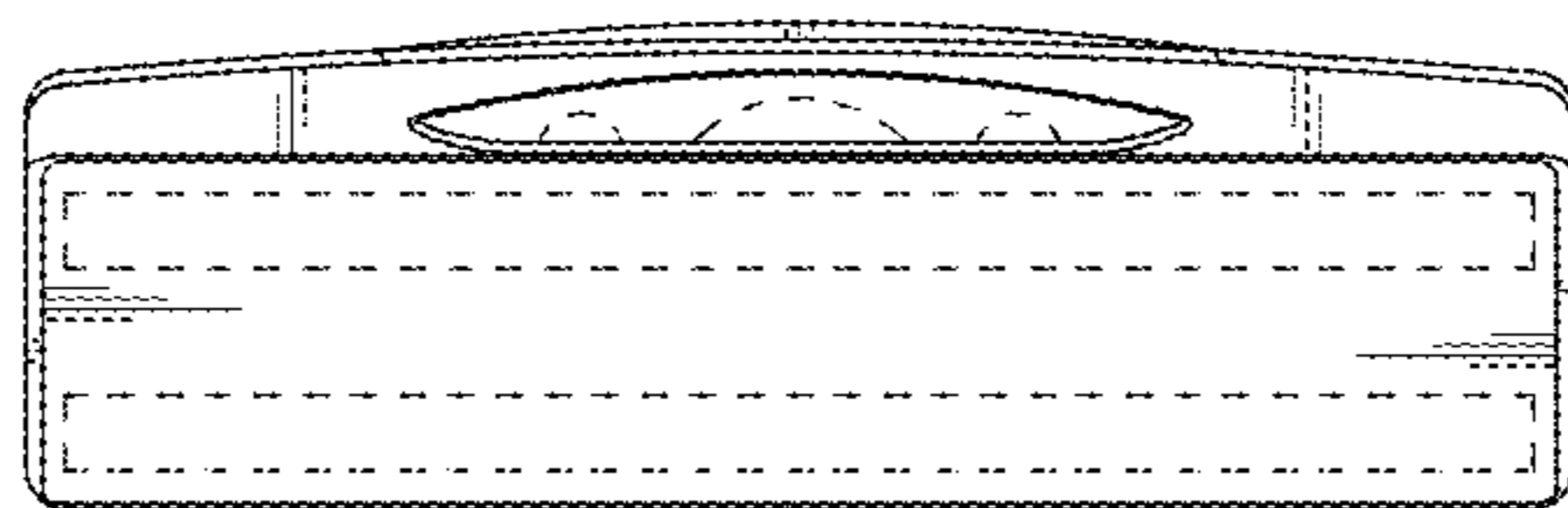


FIG. 8

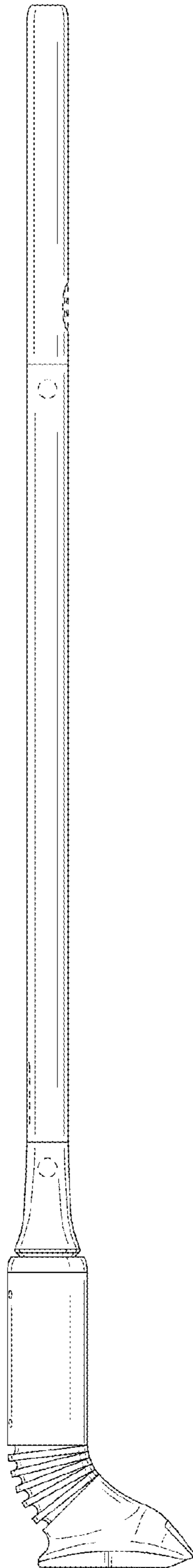


FIG. 9

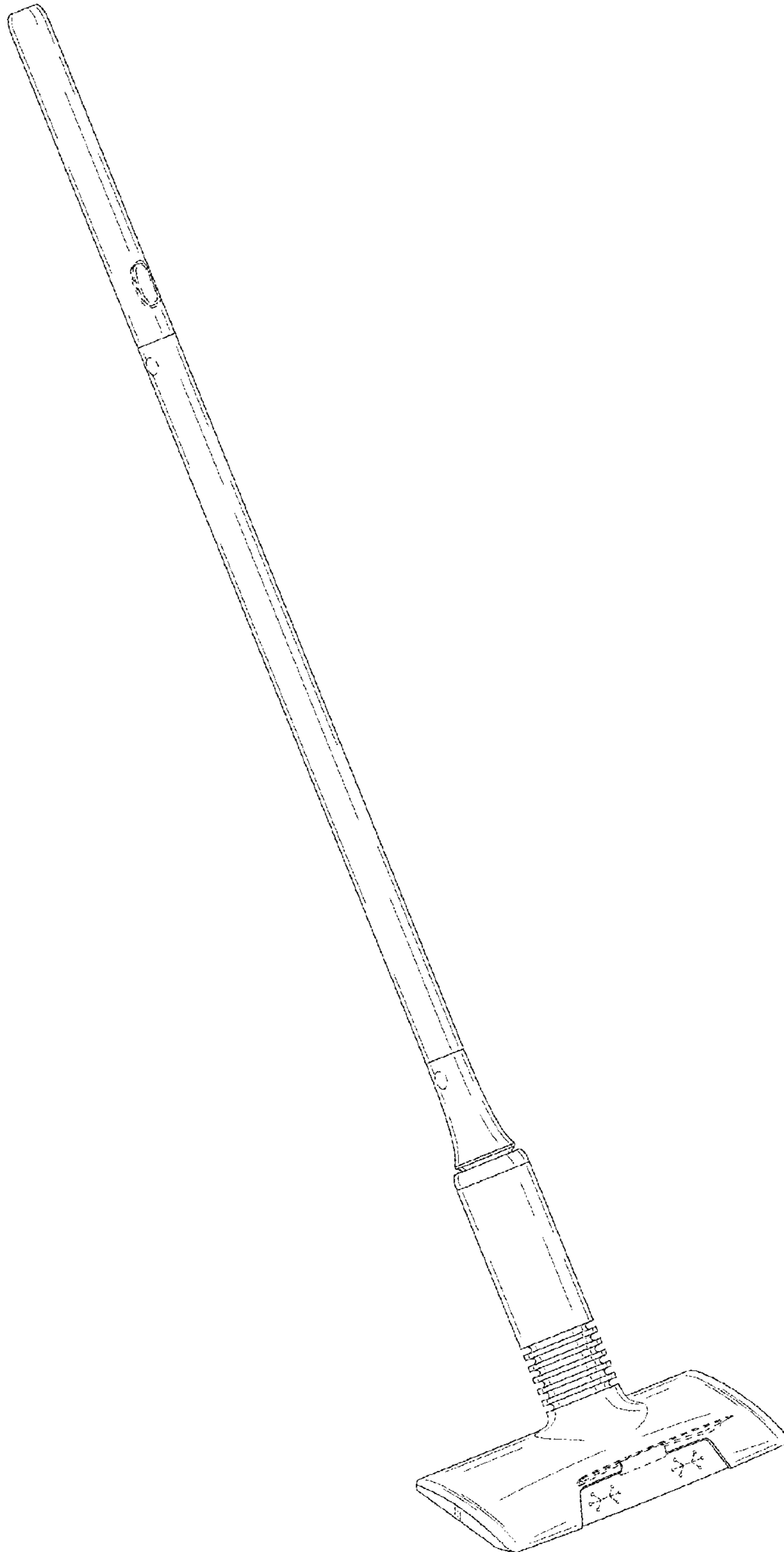


FIG. 10

