



US00D766528S

(12) **United States Design Patent**
Choi et al.

(10) **Patent No.: US D766,528 S**

(45) **Date of Patent: ** Sep. 13, 2016**

(54) **CLEANING TOOL**

(71) Applicant: **3M INNOVATIVE PROPERTIES COMPANY**, St. Paul, MN (US)

(72) Inventors: **Joongho Choi**, Seoul (KR); **Taeno Yoon**, Chungcheongnam-do (KR); **Seungyoub Oh**, Gyeonggi-do (KR); **In-Hwan Lee**, Gyeonggi-do (KR)

(73) Assignee: **3M INNOVATIVE PROPERTIES COMPANY**, St. Paul, MN (US)

(**) Term: **14 Years**

(21) Appl. No.: **29/498,101**

(22) Filed: **Jul. 31, 2014**

(51) **LOC (10) Cl.** **04-01**

(52) **U.S. Cl.**

USPC **D32/50**

(58) **Field of Classification Search**

USPC D32/40-42, 50-52, 38-39, 15, 17,
D32/21-22, 31

CPC A47L 13/12; A47L 13/16; A47L 13/20;
A47L 13/24; A47L 13/144; A47L 13/146;
A47L 13/225

See application file for complete search history.

(56) **References Cited**

U.S. PATENT DOCUMENTS

3,099,855	A *	8/1963	Nash	A47L 13/29 15/231
5,876,141	A *	3/1999	Hsu	B25G 3/38 15/144.2
D503,836	S *	4/2005	Hall	D32/50
D506,050	S *	6/2005	Lalanne	D32/45
D514,267	S *	1/2006	Tsai	D32/45
D515,759	S *	2/2006	Fischer	D32/45
D548,909	S *	8/2007	Murray	D32/45
D554,815	S *	11/2007	Harper	D32/40
D585,612	S *	1/2009	Soller	D32/40
D597,718	S *	8/2009	McNeil	D32/45

(Continued)

FOREIGN PATENT DOCUMENTS

GB 2079510 * 2/1999
GB 3010459 * 7/2003

(Continued)

OTHER PUBLICATIONS

Amazon.com: MR. SIGA Aluminum Microfiber Floor Mop, website copyright 2016, http://www.amazon.com/MR-SIGA-Aluminum-Microfiber-Floor/dp/B013515146/ref=sr_1_133?ie=UTF8&qid=1460768179&sr=8-133&keywords=mops, site visited Apr. 15, 2016.*

(Continued)

Primary Examiner — John Windmuller

Assistant Examiner — John R Yeh

(74) *Attorney, Agent, or Firm* — Irina Hass

(57) **CLAIM**

The ornamental design for a cleaning tool, as shown and described.

DESCRIPTION

FIG. 1 is a perspective view showing the new design for a cleaning tool;

FIG. 2 is a right side view thereof, a left side view being a mirror image thereof;

FIG. 3 is a front view thereof;

FIG. 4 is a rear view thereof;

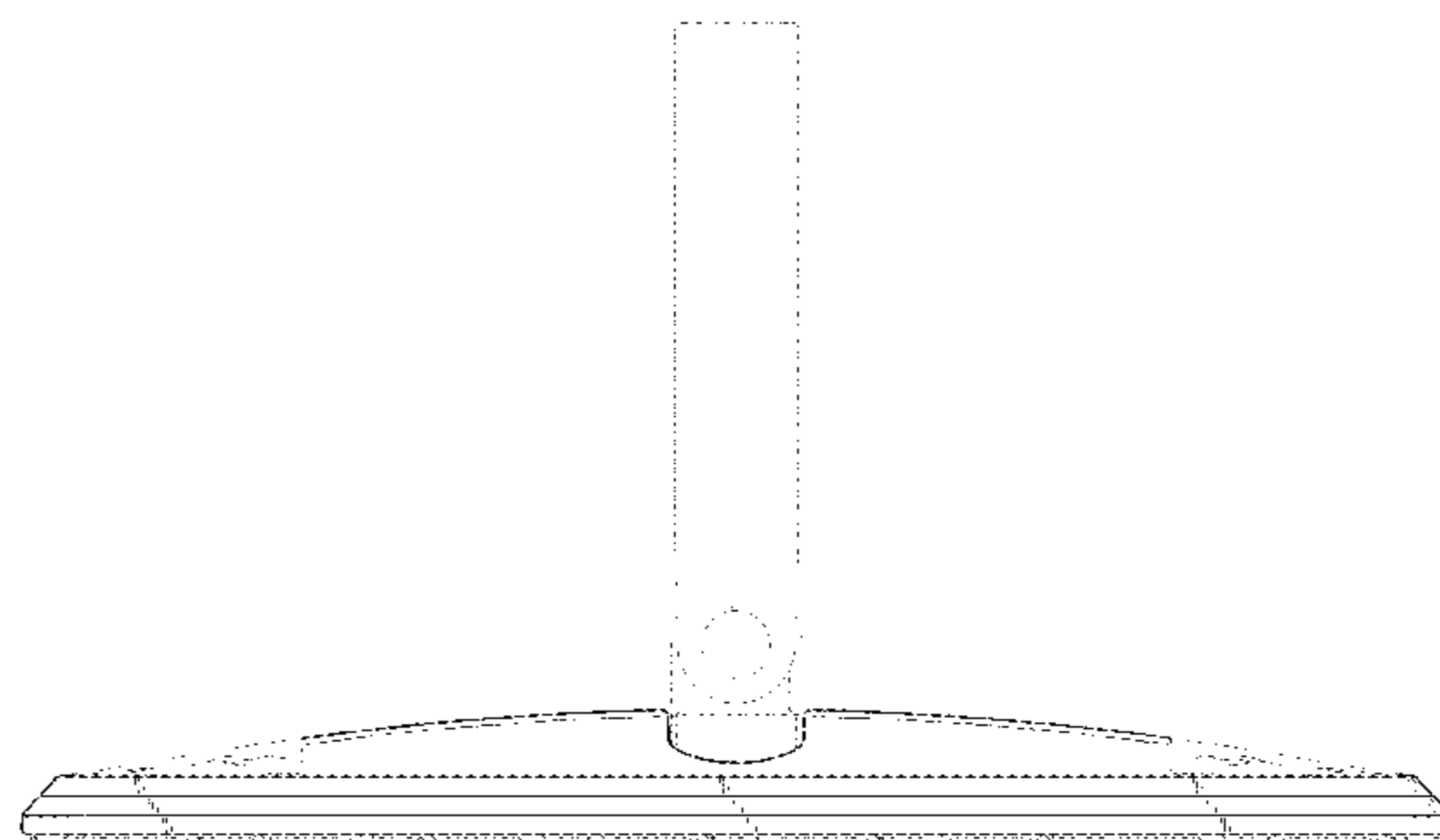
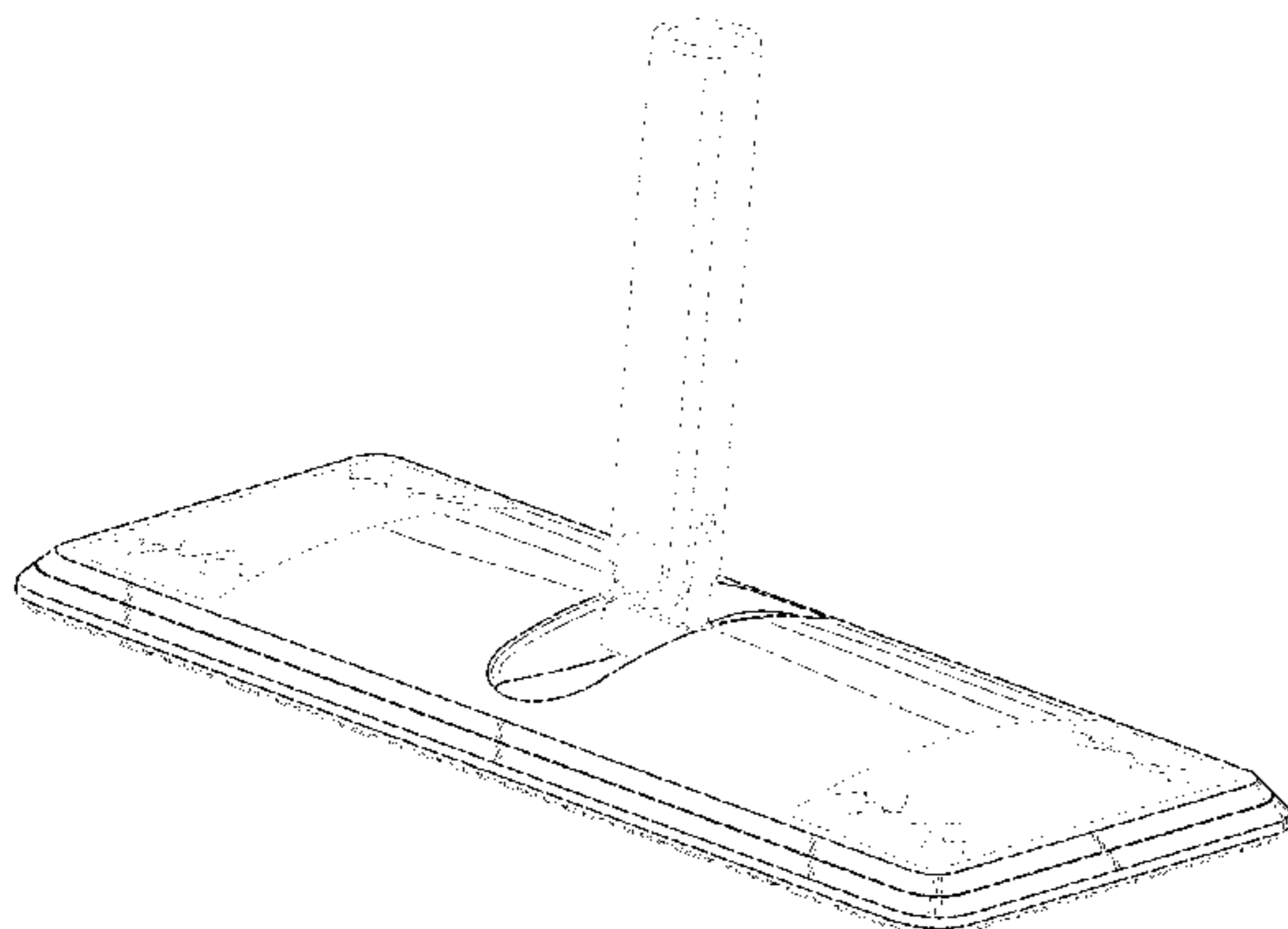
FIG. 5 is a bottom view thereof;

FIG. 6 is a top view thereof; and,

FIG. 7 is a perspective view thereof showing the cleaning tool with a handle.

The portions of the cleaning tool in FIGS. 1-7 shown in broken lines are included to show features that form no part of the claimed design.

1 Claim, 7 Drawing Sheets



(56)

References Cited

U.S. PATENT DOCUMENTS

D607,165 S * 12/2009 Libman D32/45
 D615,260 S * 5/2010 Koenig D32/45
 D653,827 S * 2/2012 Lee D32/50
 D654,238 S * 2/2012 Lee D32/50
 D677,031 S * 2/2013 Best D32/50
 8,893,343 B2 * 11/2014 Libman A47L 13/44
 15/147.2
 D719,709 S * 12/2014 Gidwell D32/40
 D720,906 S * 1/2015 Baldwin D32/50
 2002/0042962 A1 * 4/2002 Willman A47L 13/16
 15/208
 2004/0178284 A1 * 9/2004 Fahy A47L 13/22
 239/228
 2005/0022843 A1 * 2/2005 Policicchio A47L 13/20
 134/6
 2012/0159728 A1 * 6/2012 Suda A47L 13/20
 15/104.93
 2015/0082570 A1 * 3/2015 Davidshofer A47L 13/258
 15/228

FOREIGN PATENT DOCUMENTS

KR 10-1257620 4/2013
 KR 10-1272212 6/2013
 KR 300700798.0000 * 7/2013
 KR 10-1304132 9/2013
 KR 10-1306878 9/2013

OTHER PUBLICATIONS

Amazon.com: Quickie Microfiber Dust Mop, review date May 12, 2012, http://www.amazon.com/Quickie-Microfiber-060-Green-Handle/dp/B002M8MXB2/ref=sr_1_65?ie=UTF8&qid=1460767985&sr=8-65-spons&keywords=mops&psc=1, [site visited Apr. 15, 2016 8:54:28 PM].*
 Amazon.com: Linkyo Professional Microfiber Floor Mop, review date 2016, http://www.amazon.com/LINKYO-Professional-Microfiber-Floor-Mop/dp/B018STEIMK/ref=cm_cr_ar_p_d_product_top?ie=UTF8, [site visited Apr. 15, 2016 8:51:51 PM].*
 Amazon.com: O-Cedar EasyWring UltraMax Flat Spin Mop, review date Dec. 15, 2014, <http://www.amazon.com/dp/B00KM6QSB2?psc=1>, [site visited Apr. 15, 2016 8:49:11 PM].*

* cited by examiner

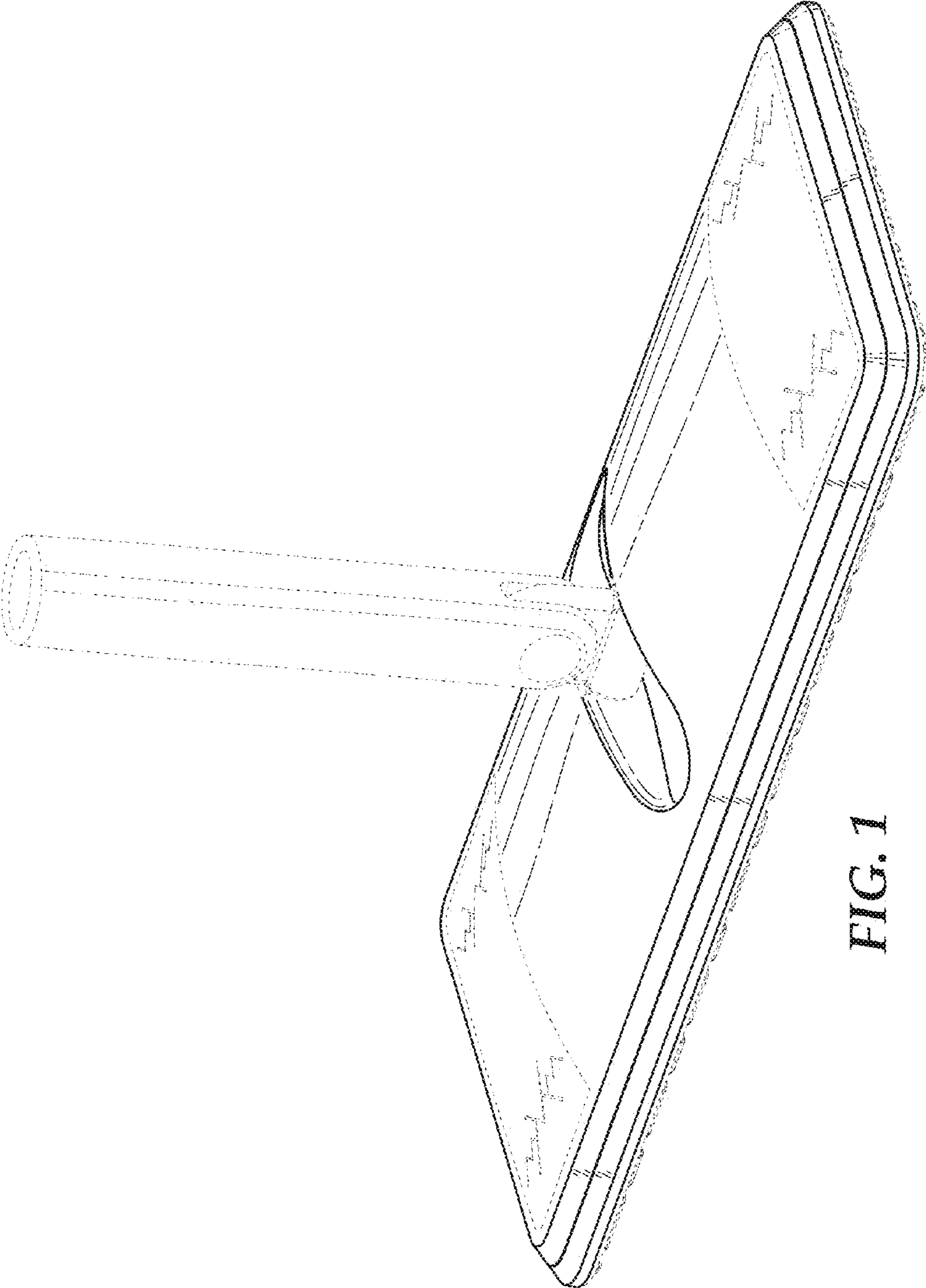


FIG. 1

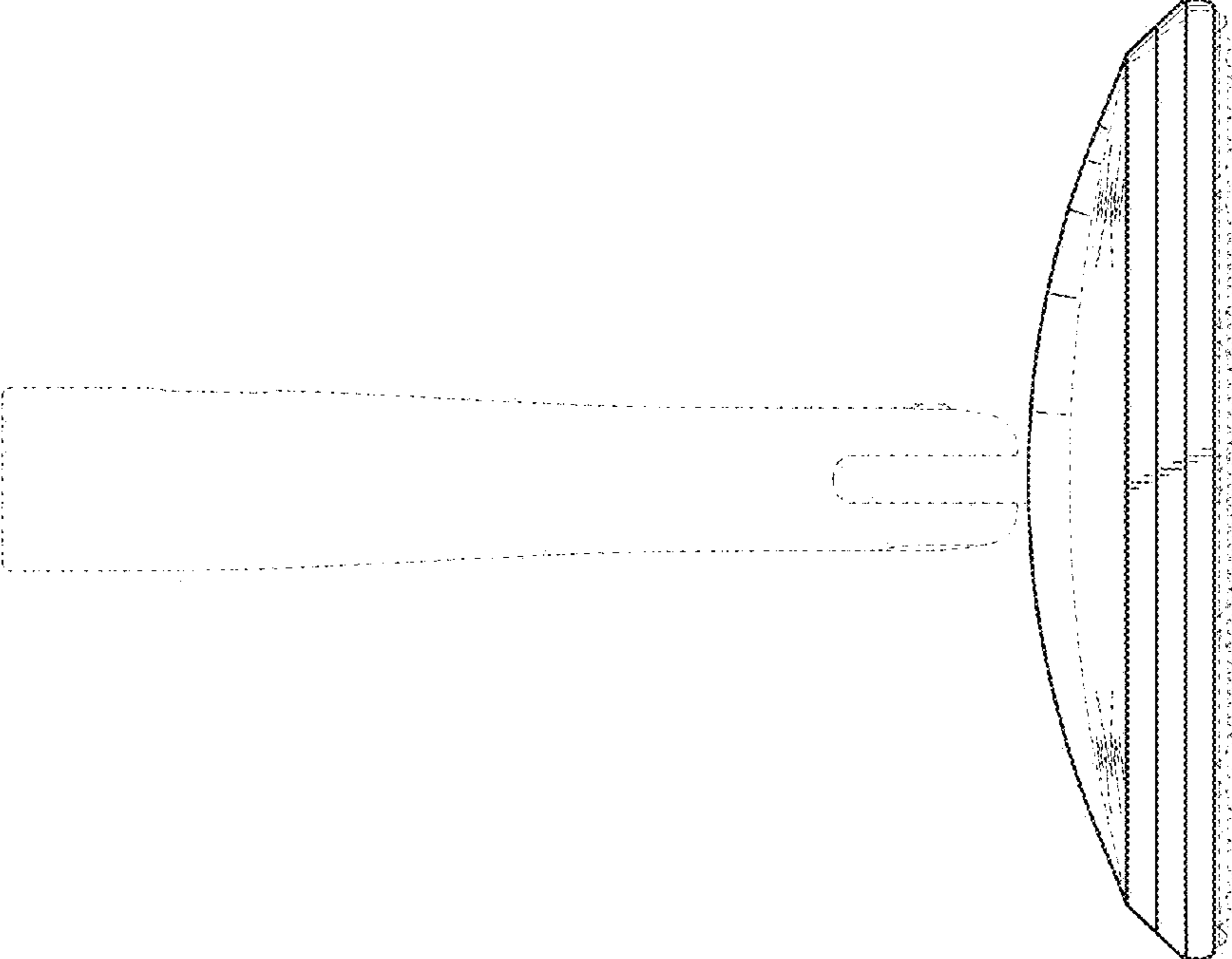


FIG. 2

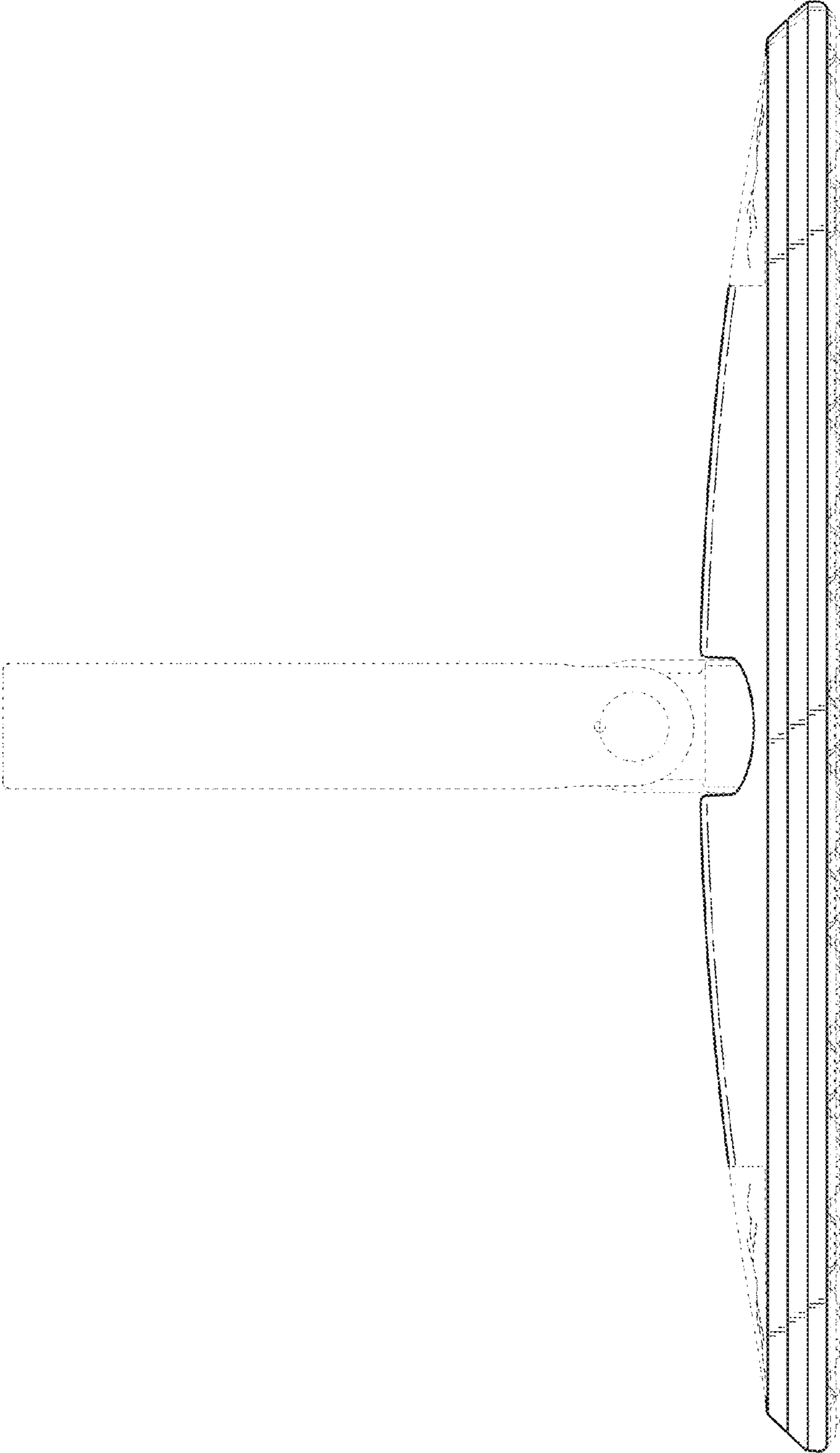


FIG. 3

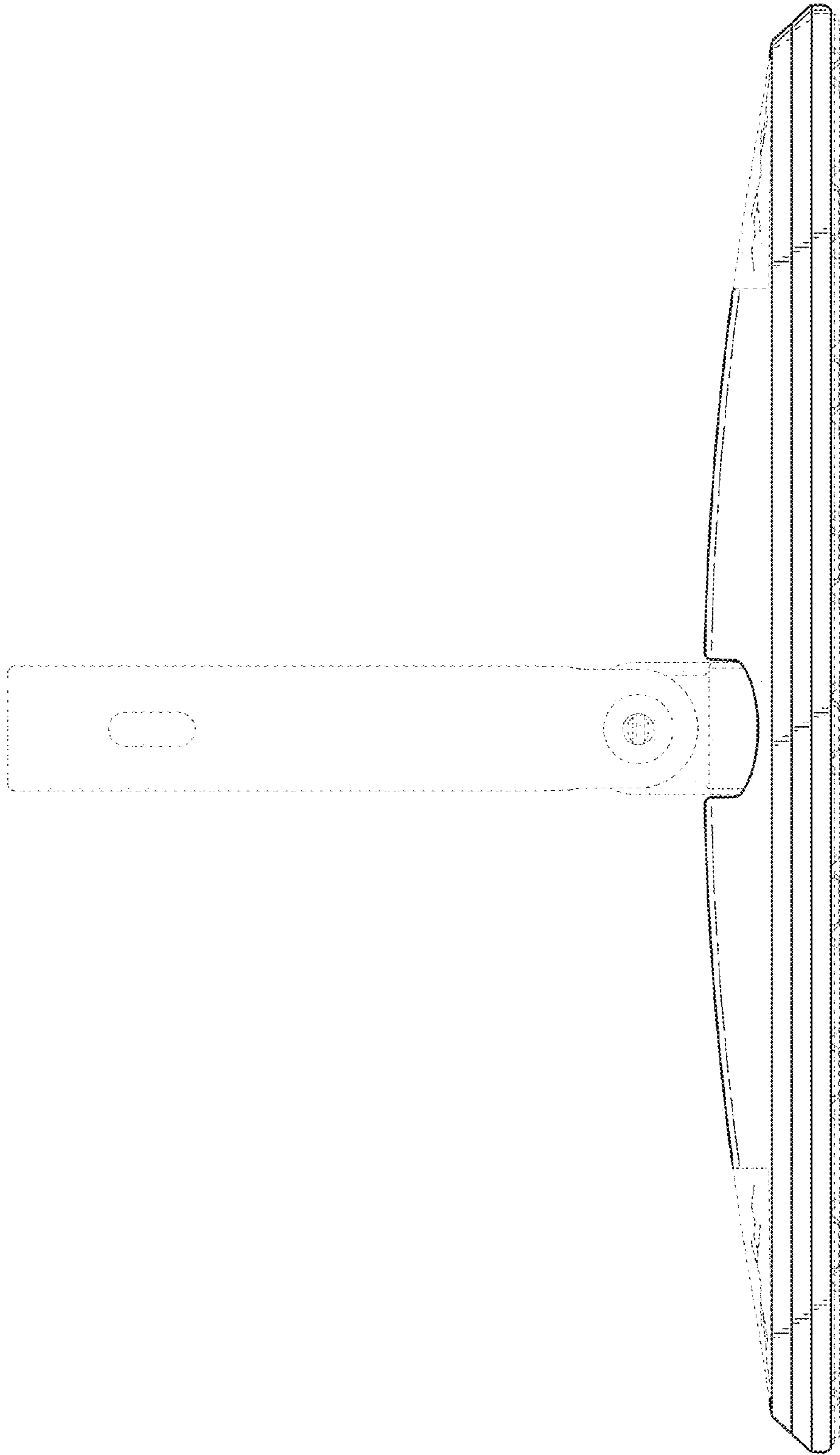


FIG. 4

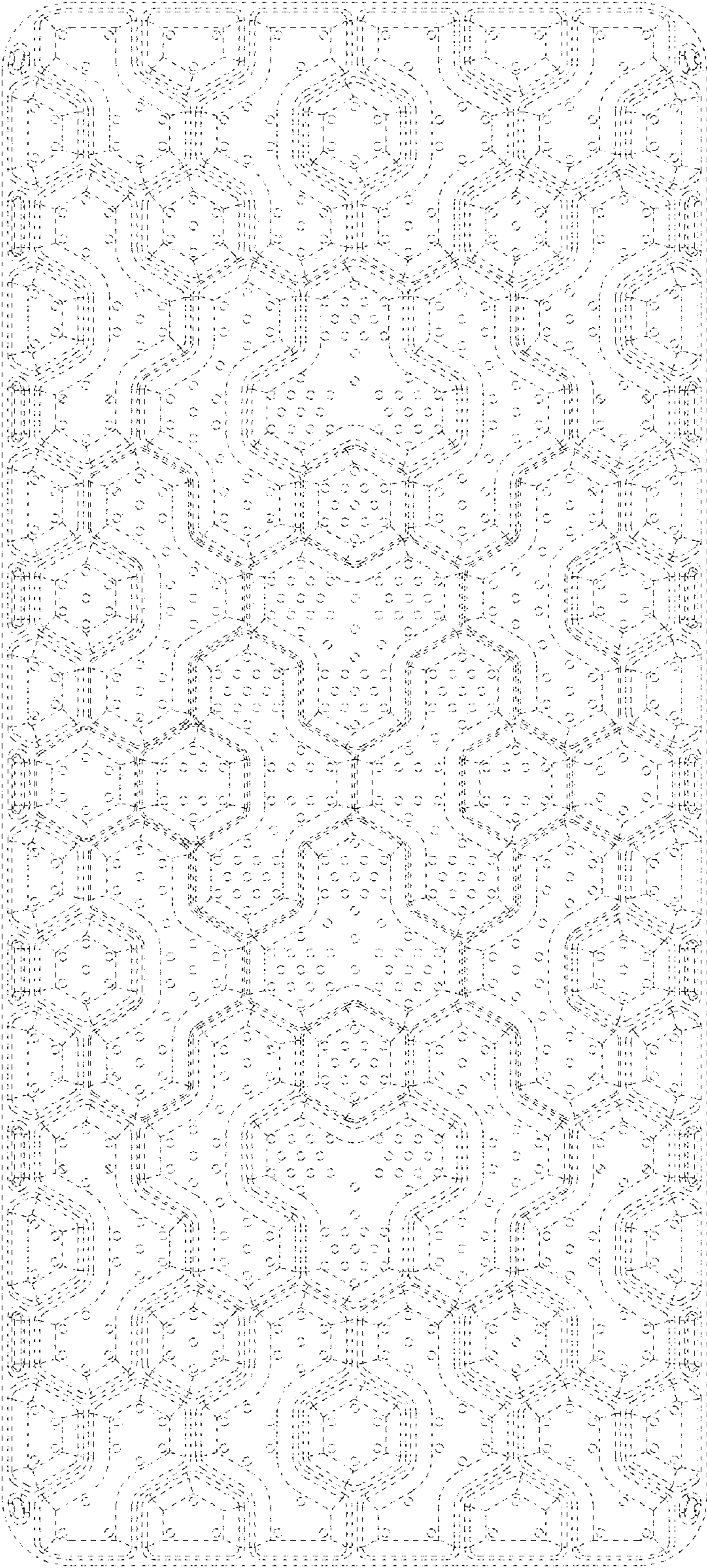


FIG. 5

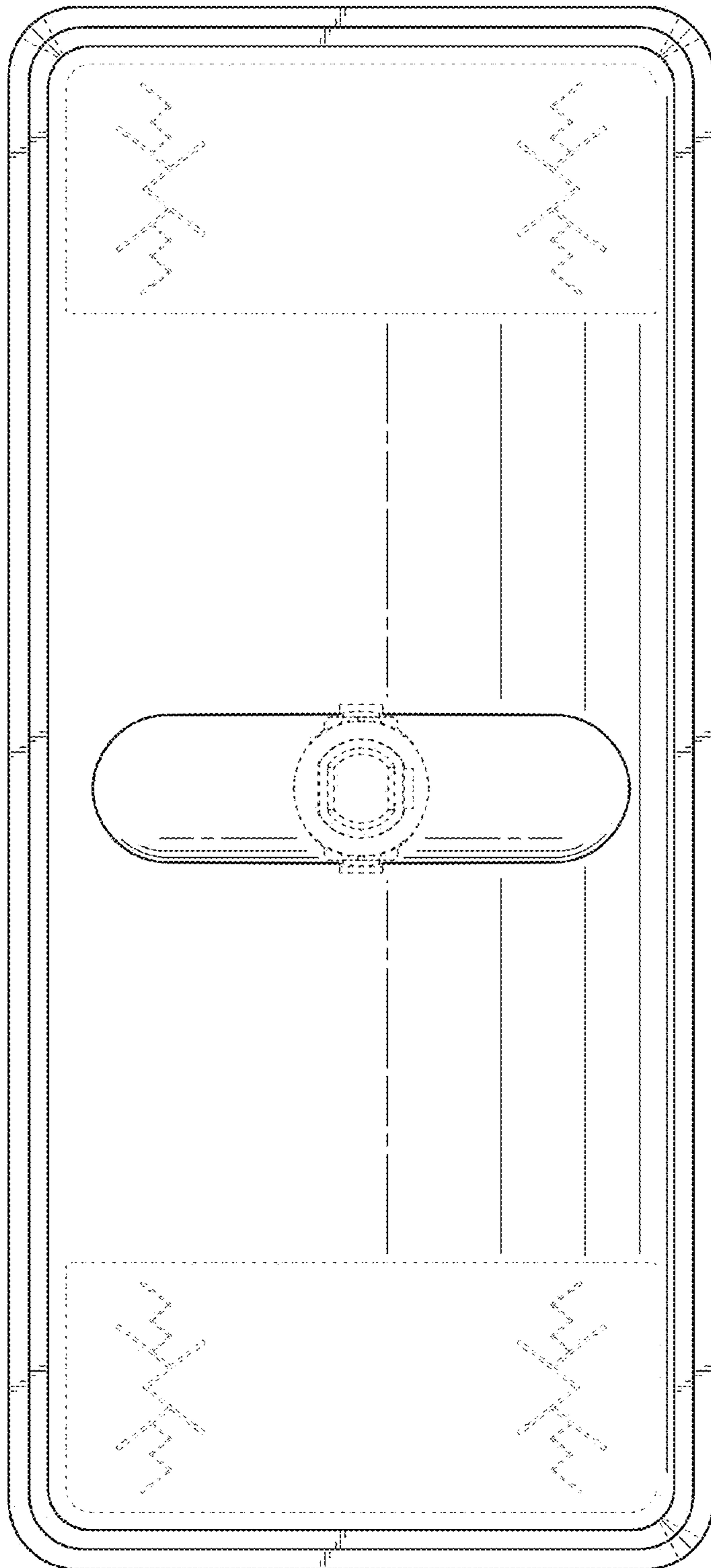


FIG. 6

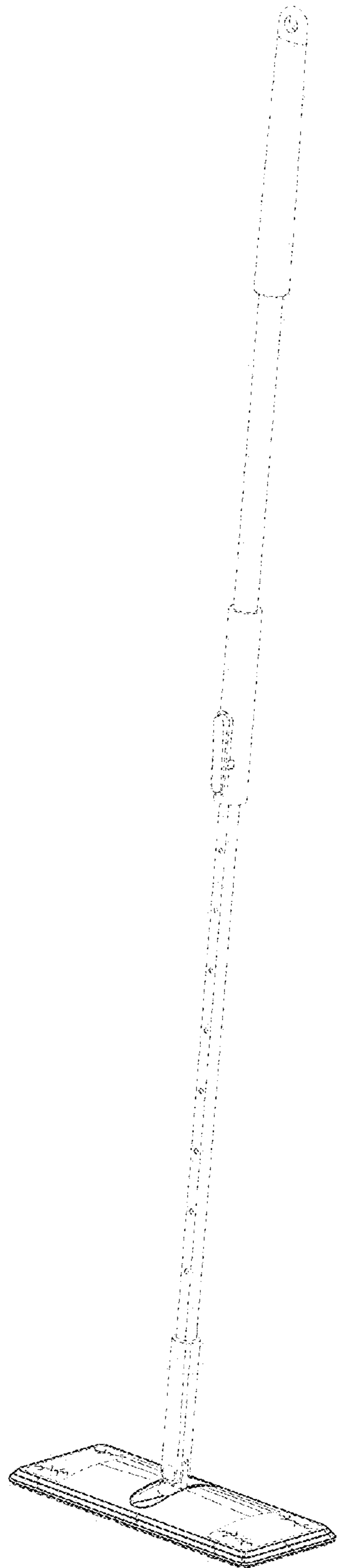


FIG. 7