

US00D766527S

(12) **United States Design Patent** (10) **Patent No.:** **US D766,527 S**
Niedzwecki et al. (45) **Date of Patent:** **** Sep. 13, 2016**

(54) **FLOOR CLEANING DEVICE**
(71) Applicant: **Euro-Pro Operating LLC**, Newton, MA (US)
(72) Inventors: **Scott B Niedzwecki**, Walpole, MA (US); **Dan Kestenbaum**, Brookline, MA (US)
(73) Assignee: **SharkNinja Operating LLC**, Newton, MA (US)
(**) Term: **15 Years**
(21) Appl. No.: **29/530,373**
(22) Filed: **Jun. 16, 2015**
(51) **LOC (10) Cl.** **04-01**
(52) **U.S. Cl.**
USPC **D32/45**
(58) **Field of Classification Search**
USPC D32/35, 40, 49-53, 71-72; D8/107, D8/81-83; D7/393, 648
CPC A47L 13/12; A47L 13/16; A47L 13/20; A47L 13/24; A47L 13/144; A47L 13/146; B24D 13/045; B25B 23/16
See application file for complete search history.

D685,557 S * 7/2013 Rosenzweig D32/45
D685,966 S * 7/2013 Houghton D32/45
D685,967 S * 7/2013 Houghton D32/45

(Continued)

FOREIGN PATENT DOCUMENTS

CN 301826896 * 2/2012
CN 302387310 * 4/2013
CN 302738945 * 2/2014

OTHER PUBLICATIONS

Amazon.com—Bissell Steam Mop Hard-Floor Cleaner, online, review date Nov. 2, 2009, http://www.amazon.com/Bissell-Steam-Hard-Floor-Cleaner-1867-7/dp/B000RPVHZU/ref=sr_1_57?s=vacuums&ie=UTF8&qid=1459206024&sr=1-57&keywords=shark+steam+mop, [site visited Mar. 28, 2016 7:02:03 PM].*

(Continued)

Primary Examiner — John Windmuller
Assistant Examiner — John R Yeh
(74) *Attorney, Agent, or Firm* — Ntellect Law, P.C.

(57) **CLAIM**
The ornamental design for a floor cleaning device, as shown and described.

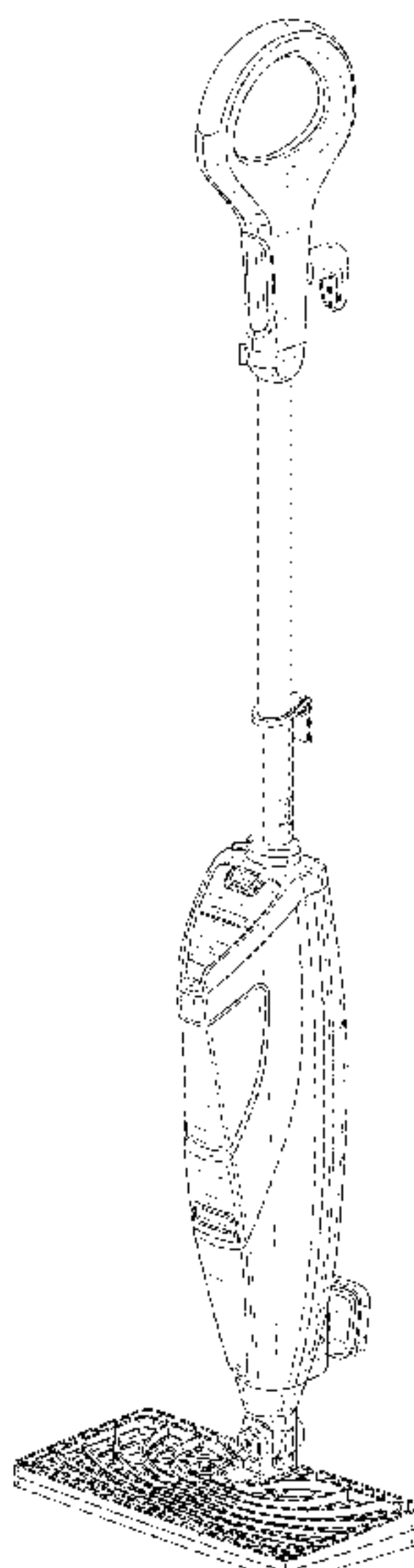
DESCRIPTION

FIG. 1 is a perspective view of a floor cleaning device in accordance with one embodiment of the present design; FIG. 2 is a front elevational view of FIG. 1; FIG. 3 is a rear elevational view of FIG. 1; FIG. 4 is a left side elevational view of FIG. 1; FIG. 5 is a right side elevational view of FIG. 1; FIG. 6 is a top plan view of FIG. 1; and, FIG. 7 is a bottom plan view of FIG. 1. The broken lines in the drawings are for illustrative purposes only and form no part of the claimed design.

1 Claim, 6 Drawing Sheets

(56) **References Cited**
U.S. PATENT DOCUMENTS

D548,909 S * 8/2007 Murray D32/45
D591,921 S * 5/2009 Rosenzweig D32/45
D657,516 S * 4/2012 McGee D32/45
D657,518 S * 4/2012 McGee D32/45
D658,835 S * 5/2012 Houghton D32/45
D659,924 S * 5/2012 McGee D32/45
D660,533 S * 5/2012 Hill D32/22
D661,034 S * 5/2012 Ediger D32/45
D673,337 S * 12/2012 Chow D32/45
8,425,137 B1 * 4/2013 Sampaio A47L 13/22
401/139



(56)

References Cited

U.S. PATENT DOCUMENTS

D699,011 S * 2/2014 deBlois D32/45
 D707,002 S * 6/2014 Hughes D32/45
 D711,058 S * 8/2014 Crawley D32/45
 D747,054 S * 1/2016 Seifts D32/45
 2004/0071490 A1* 4/2004 Vosbikian A47L 13/12
 401/49
 2007/0136984 A1* 6/2007 Hsu A47L 5/225
 15/339
 2009/0320231 A1* 12/2009 Rosenzweig A47L 13/22
 15/339
 2010/0050367 A1* 3/2010 Tsai A47L 13/225
 15/320
 2012/0195674 A1* 8/2012 Mandle A47L 13/12
 401/138
 2013/0167319 A1* 7/2013 Tang A47L 13/225
 15/320
 2013/0232719 A1* 9/2013 Luedke A47L 13/225
 15/320

2015/0183108 A1* 7/2015 Thorne B25G 1/06
 15/144.1
 2016/0058262 A1* 3/2016 Charlton B05B 9/01
 401/138

OTHER PUBLICATIONS

Amazon.com—Shark Professional Steam and Spray Mop System, online, review date Apr. 6, 2014, http://www.amazon.com/Shark-Professional-Steam-Spray-System/dp/B00GXFU952/ref=sr_1_44?s=vacuums&ie=UTF8&qid=1459205332&sr=1-44&keywords=shark+steam+mop, [site visited Mar. 28, 2016 6:53:38 PM].*

Amazon.com—Shark Steam and Spray PRO Mop, online, website copyright 2016, http://www.amazon.com/Shark-Steam-Spray-PRO-SS460WM/dp/B018MPM9H6/ref=sr_1_96?s=vacuums&ie=UTF8&qid=1459215568&sr=1-96&keywords=steam+mop, [site visited Mar. 28, 2016 9:45:31 PM].*

* cited by examiner

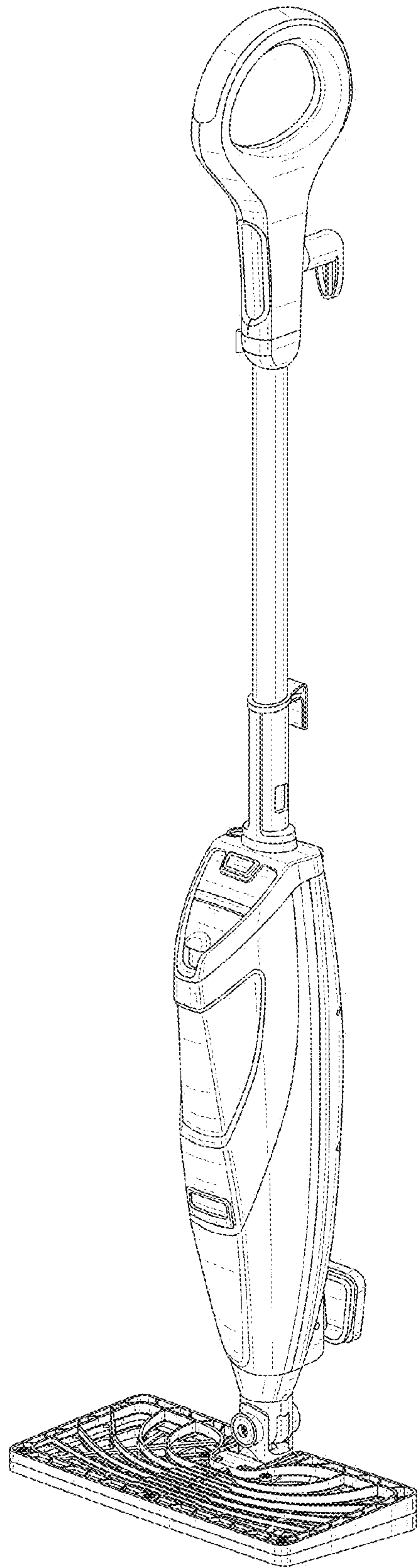


FIG. 1

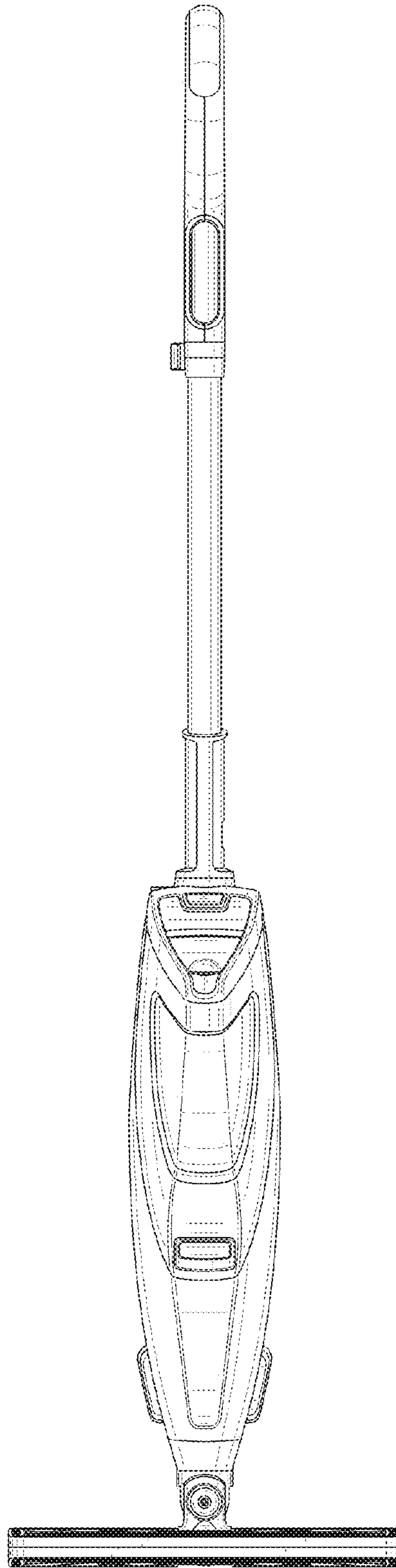


FIG. 2

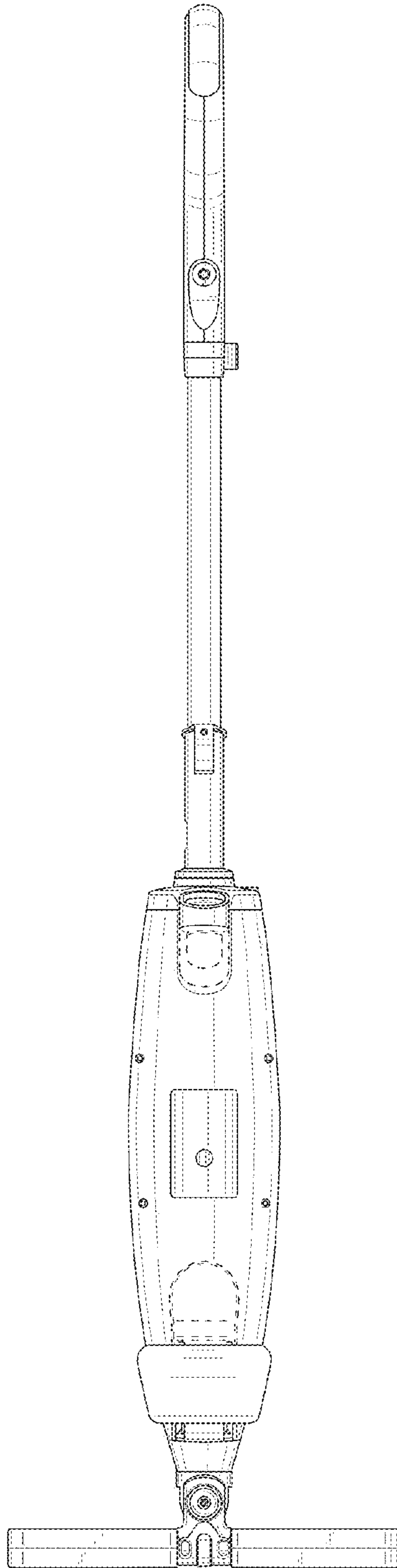


FIG. 3

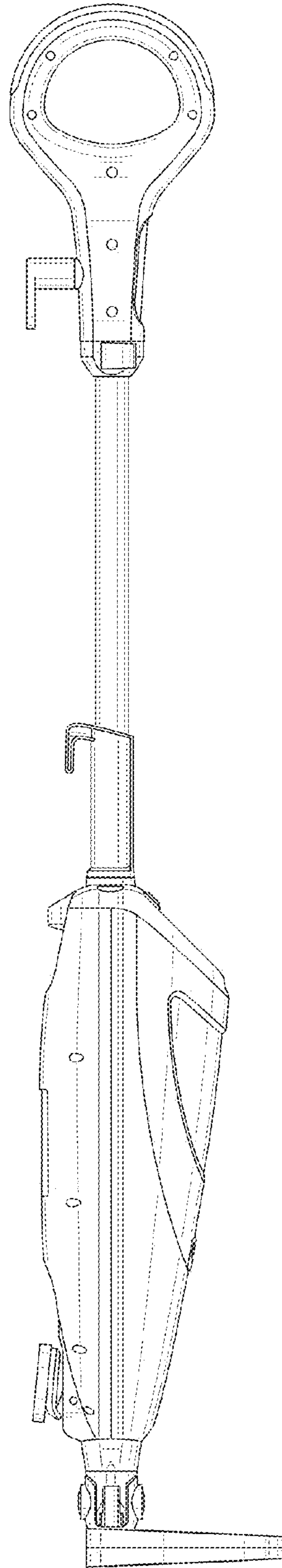


FIG. 4

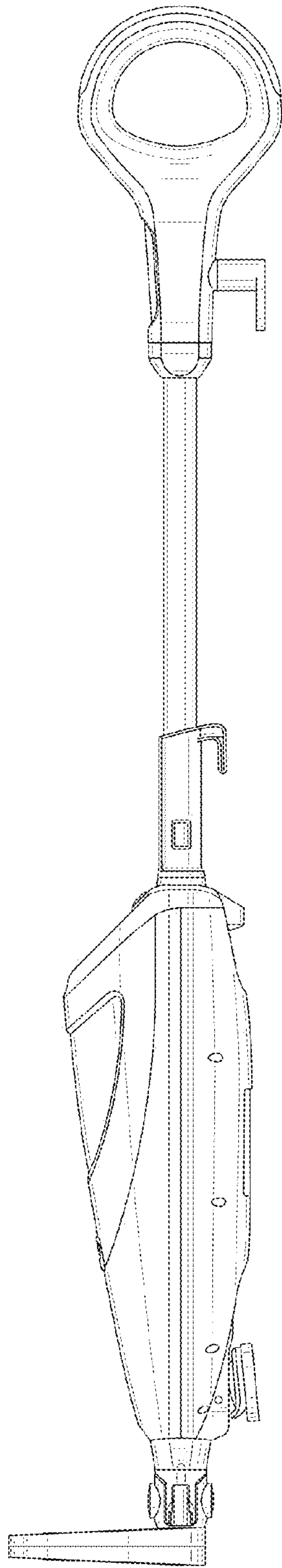


FIG. 5

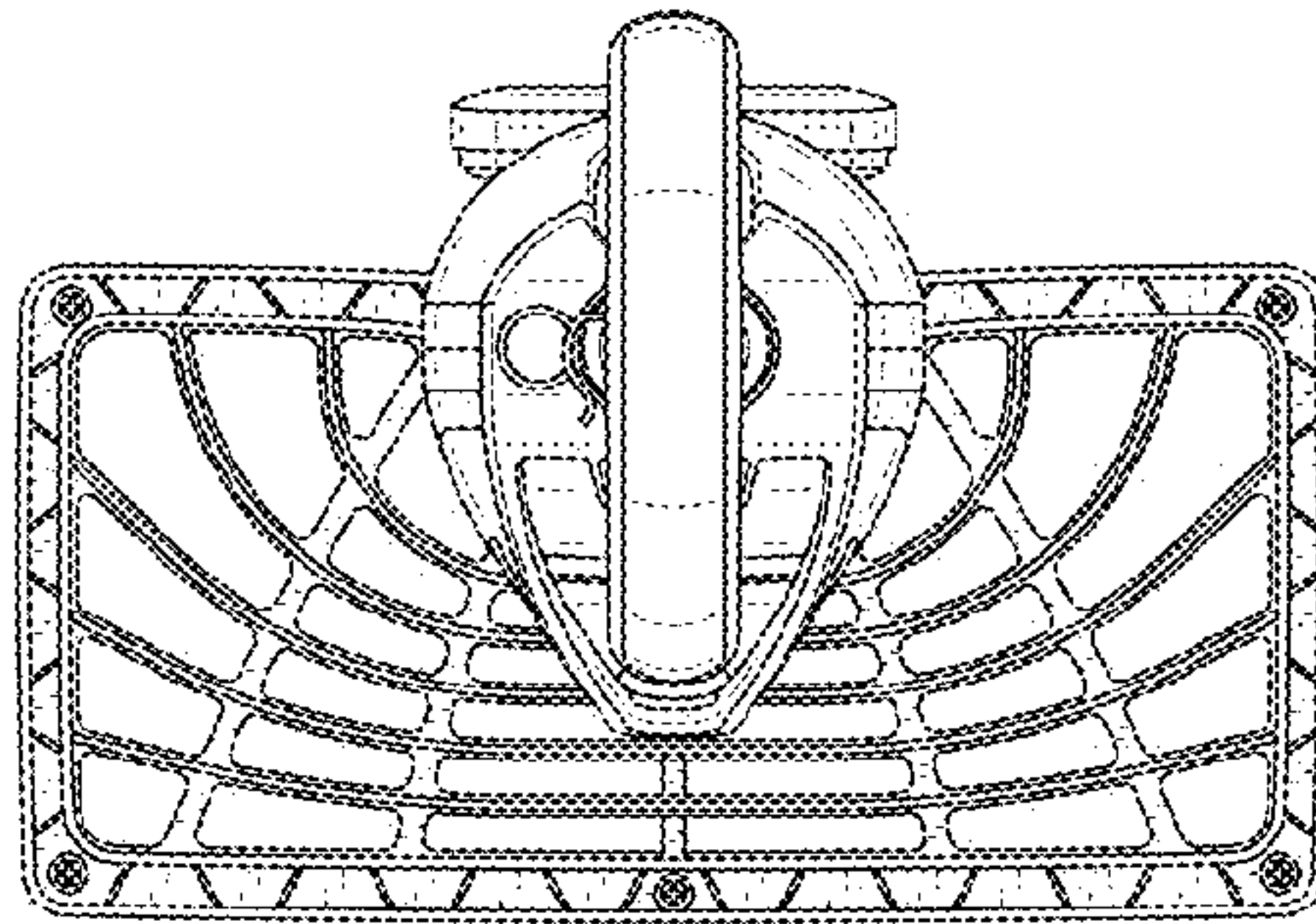


FIG. 6

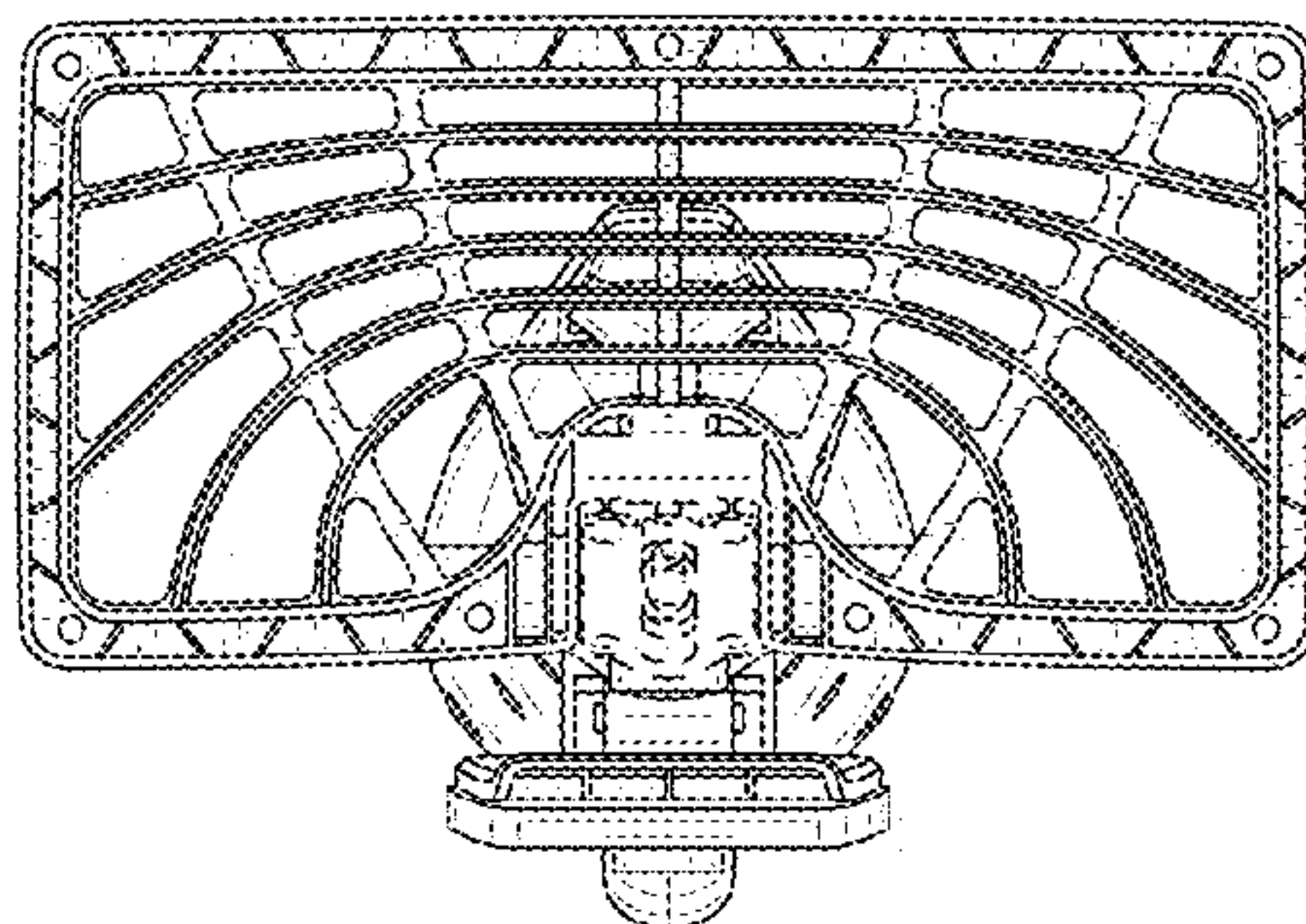


FIG. 7