



US00D766525S

(12) **United States Design Patent**
Bates et al.

(10) **Patent No.:** **US D766,525 S**
(45) **Date of Patent:** **** Sep. 13, 2016**

- (54) **PART OF A VACUUM CLEANER**
- (71) Applicant: **Dyson Technology Limited**, Wiltshire (GB)
- (72) Inventors: **Adam James Bates**, Oxford (GB); **Rob Edward Marsden**, Bristol (GB)
- (73) Assignee: **Dyson Technology Limited**, Malmesbury, Wiltshire (GB)
- (**) Term: **14 Years**
- (21) Appl. No.: **29/494,499**
- (22) Filed: **Jun. 20, 2014**
- (30) **Foreign Application Priority Data**

Dec. 20, 2013 (EM) 002375477-0001

- (51) **LOC (10) Cl.** **15-05**
- (52) **U.S. Cl.**
USPC **D32/31**
- (58) **Field of Classification Search**
USPC D32/18, 21-24, 31
CPC . B01D 50/002; A47L 9/1625; A47L 9/1683;
A47L 9/1666; A47L 9/1641; A47L 5/28;
A47L 5/24; A47L 5/362; A47L 5/365;
A47L 5/36; A47L 7/06
See application file for complete search history.

(56) **References Cited**

U.S. PATENT DOCUMENTS

- D471,683 S 3/2003 Dyson et al.
- D475,820 S 6/2003 Dyson et al.
- D484,286 S 12/2003 Dyson et al.
- D494,719 S 8/2004 Rosenzweig et al.
- 6,989,039 B2 1/2006 Vuijk
- D518,611 S 4/2006 Hare
- D520,692 S 5/2006 Leyden
- D534,324 S 12/2006 Dyson et al.

- D547,505 S 7/2007 Carr et al.
- D565,815 S 4/2008 Dyson et al.
- D566,914 S * 4/2008 Dyson D32/31
- D570,561 S 6/2008 Dyson et al.
- D577,163 S 9/2008 Dyson et al.
- D587,415 S 2/2009 Dyson et al.
- D594,608 S * 6/2009 Dyson D32/21
- D594,609 S 6/2009 Dyson et al.
- D596,360 S 7/2009 Dyson et al.
- D596,361 S 7/2009 Dyson et al.
- D609,416 S 2/2010 Hill et al.
- 7,731,770 B2 6/2010 Strutt et al.
- 7,815,703 B2 10/2010 Park
- 7,874,040 B2 1/2011 Follows et al.
- 8,032,983 B2 10/2011 Griffith et al.

(Continued)

OTHER PUBLICATIONS

Dyson et al., U.S. Office Action mailed Feb. 15, 2012, directed to U.S. Appl. No. 29/406,198; 10 pages.

(Continued)

Primary Examiner — Ruth McInroy

(74) *Attorney, Agent, or Firm* — Morrison & Foerster LLP

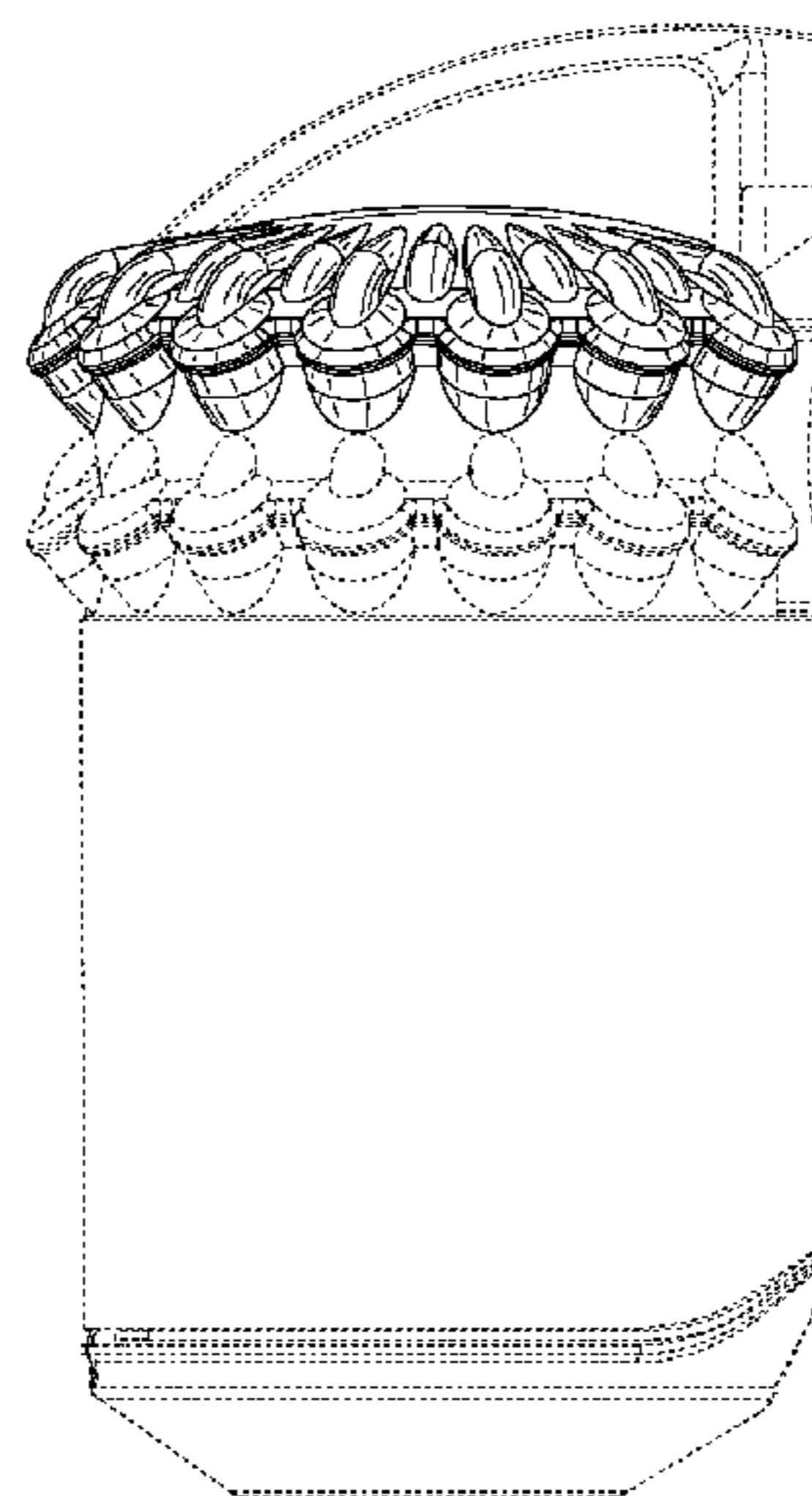
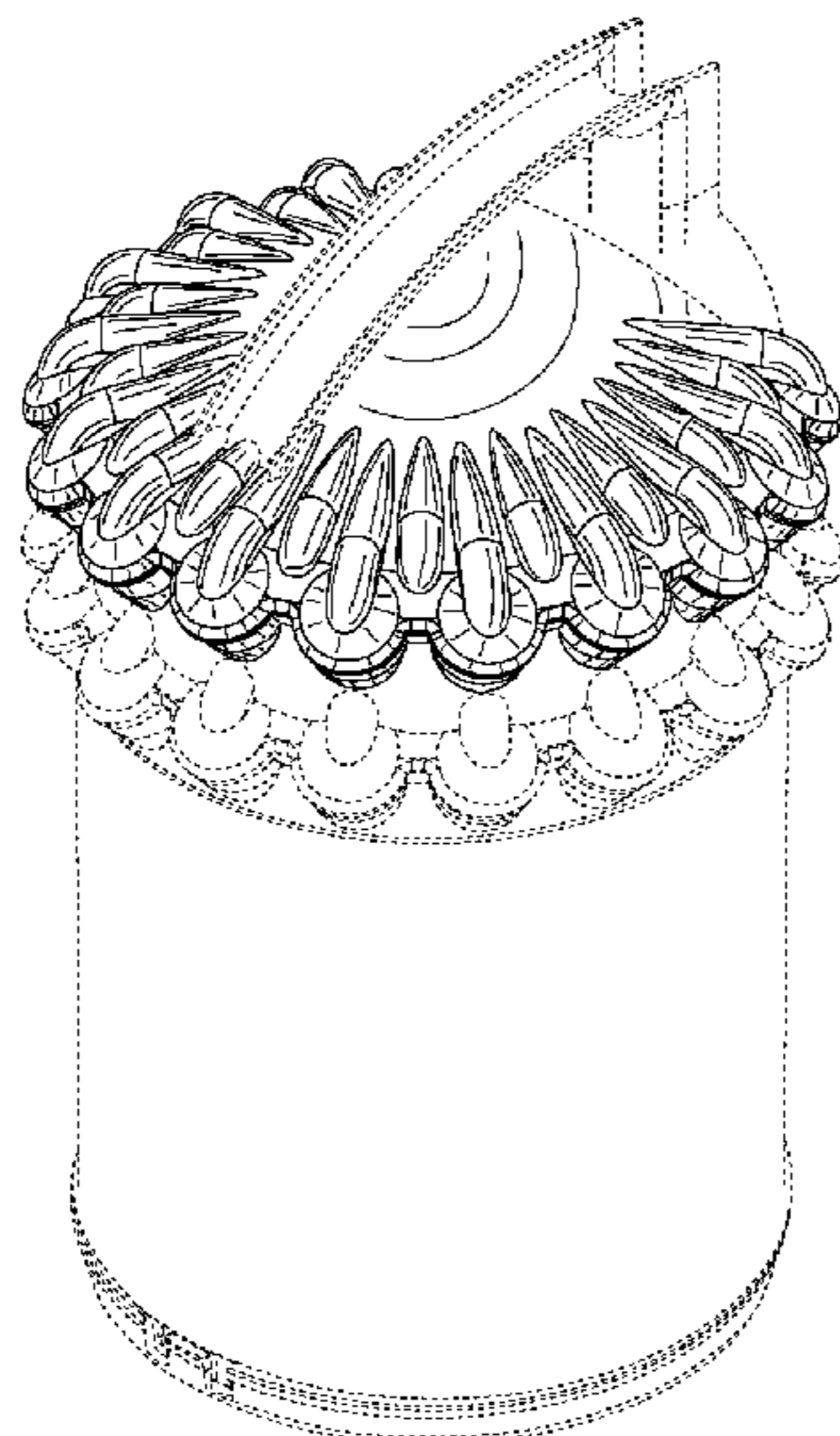
(57) **CLAIM**

We claim the ornamental design for a part of a vacuum cleaner, as shown and described.

DESCRIPTION

FIG. 1 is a perspective view of a part of a vacuum cleaner showing our new design;
 FIG. 2 is a side view thereof;
 FIG. 3 is a side view of the opposite side of FIG. 2;
 FIG. 4 is a front view thereof;
 FIG. 5 is a rear view thereof;
 FIG. 6 is a top view thereof; and,
 FIG. 7 is a bottom view thereof.
 The details shown in broken lines form no part of the claimed design.

1 Claim, 7 Drawing Sheets



(56)

References Cited

U.S. PATENT DOCUMENTS

8,100,999 B2 1/2012 Ashbee et al.
 D657,508 S * 4/2012 Dyson D32/21
 D657,511 S * 4/2012 Dyson D32/31
 D670,053 S * 10/2012 Dyson D32/31
 D670,054 S * 10/2012 Dyson D32/31
 D676,206 S * 2/2013 Dyson D32/31
 D705,504 S * 5/2014 Dimbylow D32/21
 D709,256 S * 7/2014 Dyson D32/31
 D714,503 S * 9/2014 Dyson D32/31
 D718,912 S * 12/2014 Ashbee D32/21
 D731,134 S * 6/2015 Dyson D32/31
 D739,102 S * 9/2015 Dyson D32/21
 D741,558 S * 10/2015 Kerr D32/21
 2004/0068827 A1 4/2004 Dyson
 2007/0234687 A1 10/2007 Ni
 2009/0113663 A1* 5/2009 Follows A47L 9/1616
 15/347

2010/0132319 A1 6/2010 Ashbee et al.
 2010/0218338 A1 9/2010 McLeod
 2010/0242221 A1 9/2010 Horne et al.
 2014/0053365 A1* 2/2014 Gammack A47L 9/1625
 15/327.1
 2014/0137364 A1* 5/2014 Stickney A47L 5/24
 15/347
 2015/0113762 A1* 4/2015 Robertson A47L 9/1616
 15/353
 2015/0182086 A1* 7/2015 Dimbylow A47L 5/362
 15/353

OTHER PUBLICATIONS

Dyson et al., U.S. Office Action mailed Feb. 15, 2012, directed to U.S. Appl. No. 29/406,197; 10 pages.
 Dyson et al., U.S. Office Action mailed May 22, 2012, directed to U.S. Appl. No. 29/406,196; 8 pages.

* cited by examiner

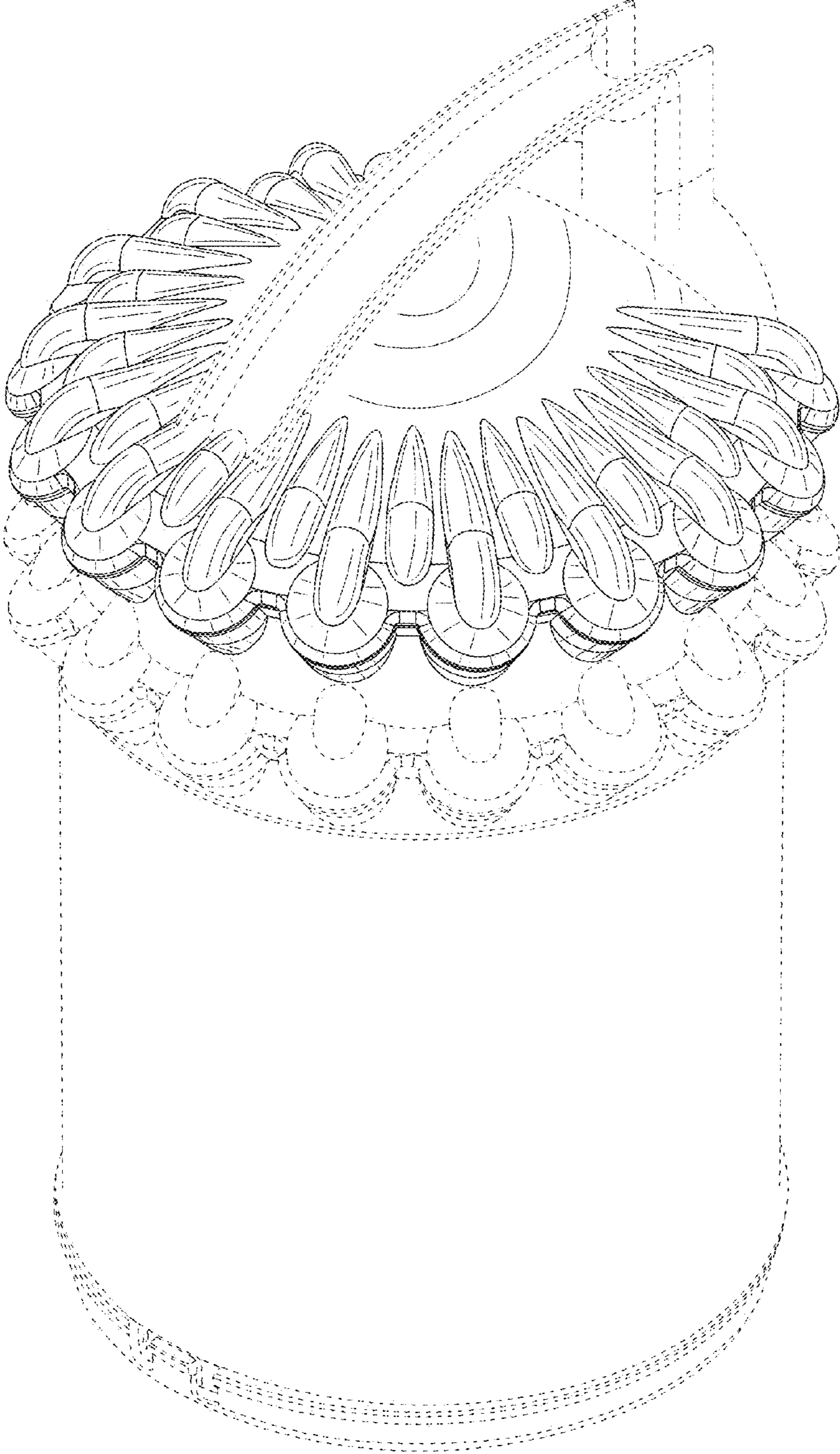


FIG. 1

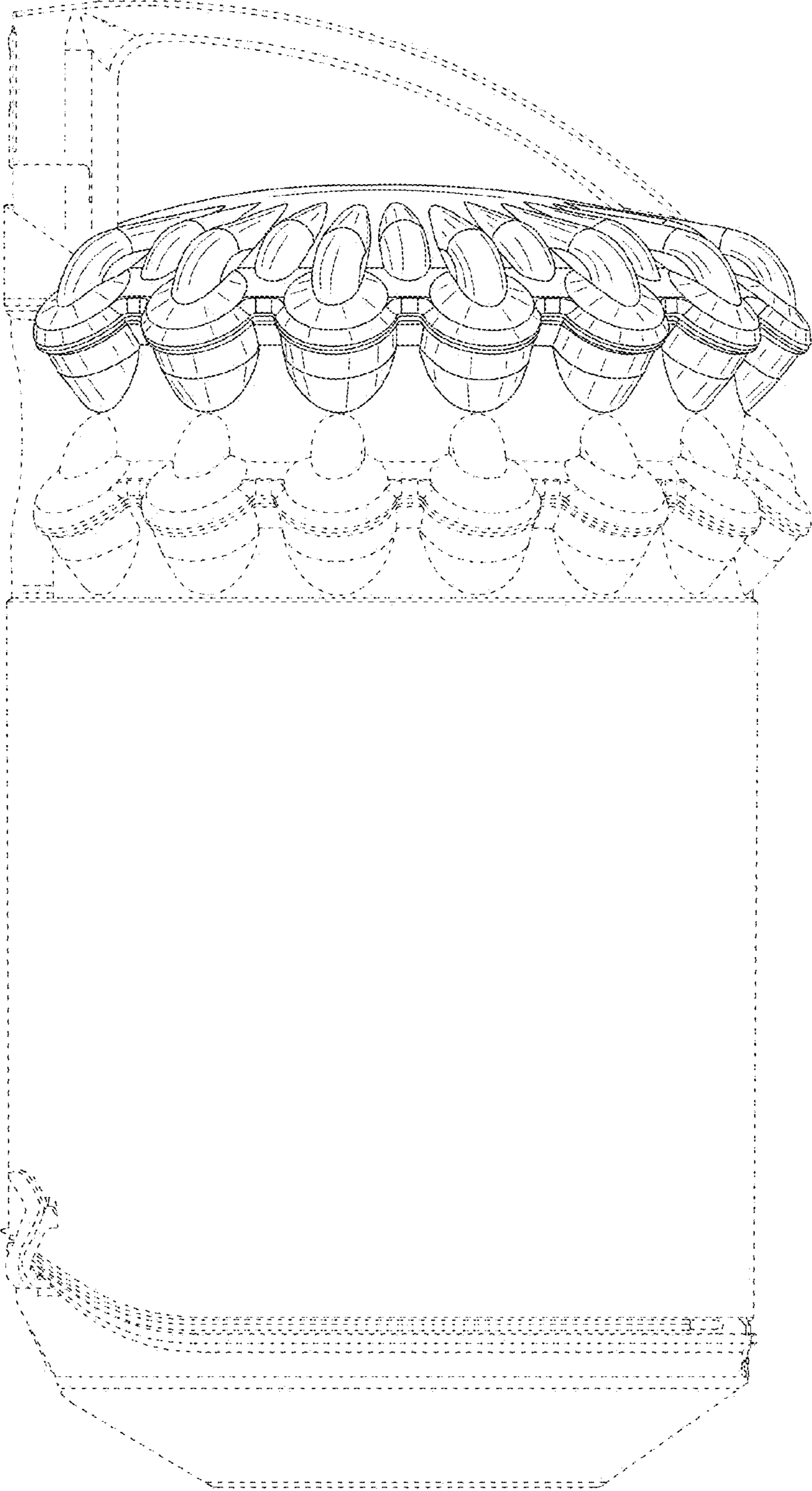


FIG. 2

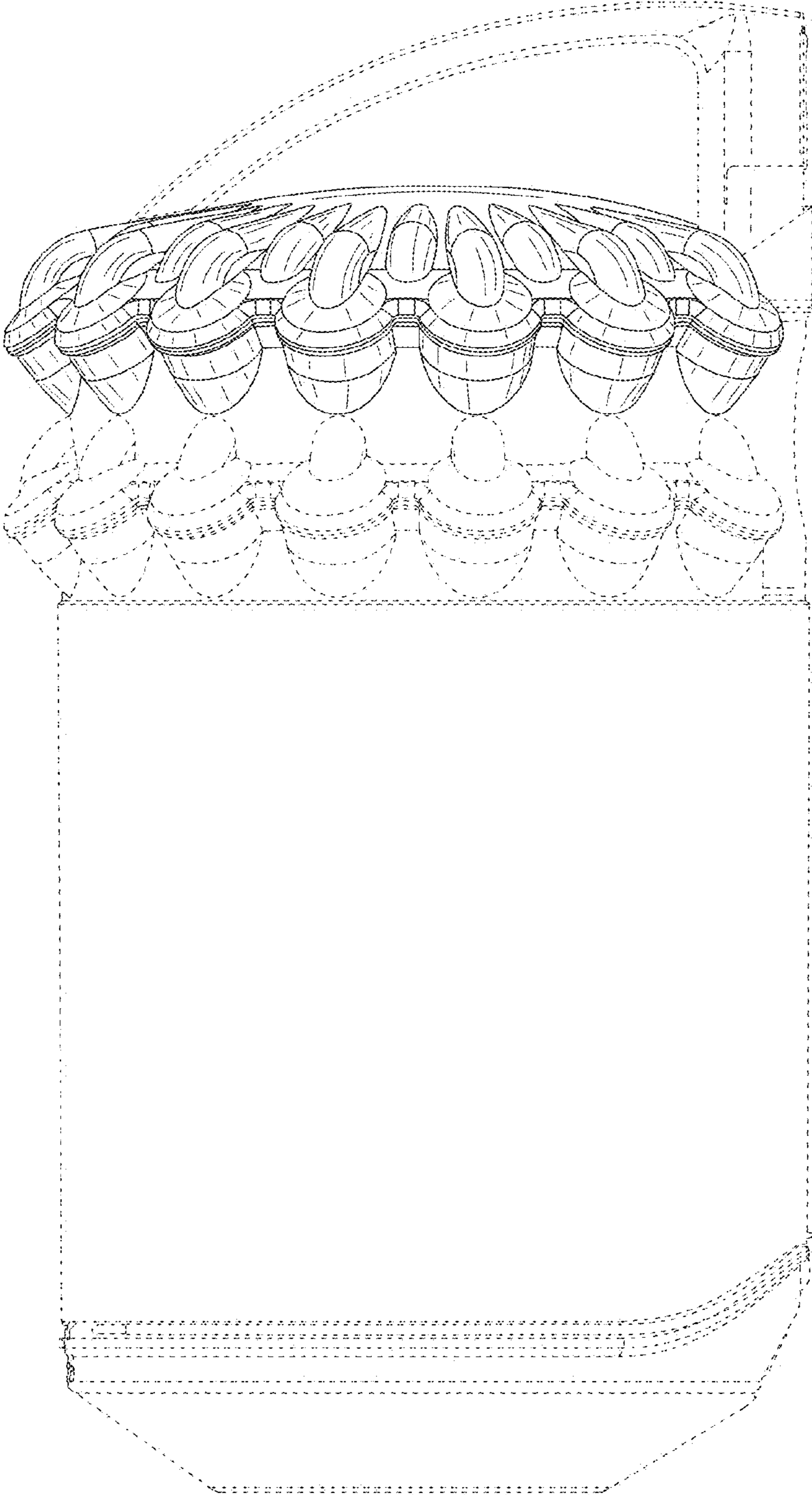


FIG. 3

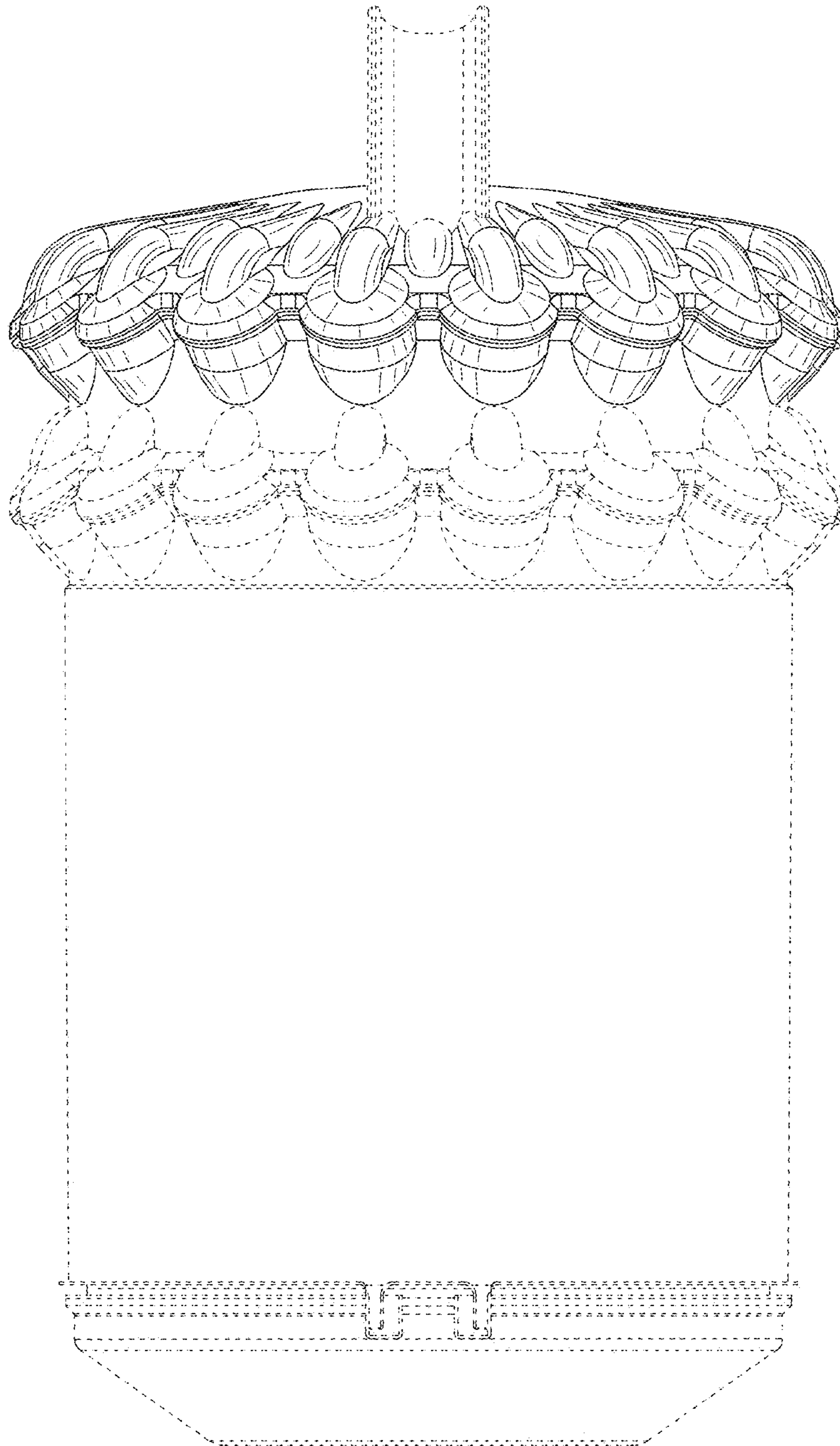


FIG. 4

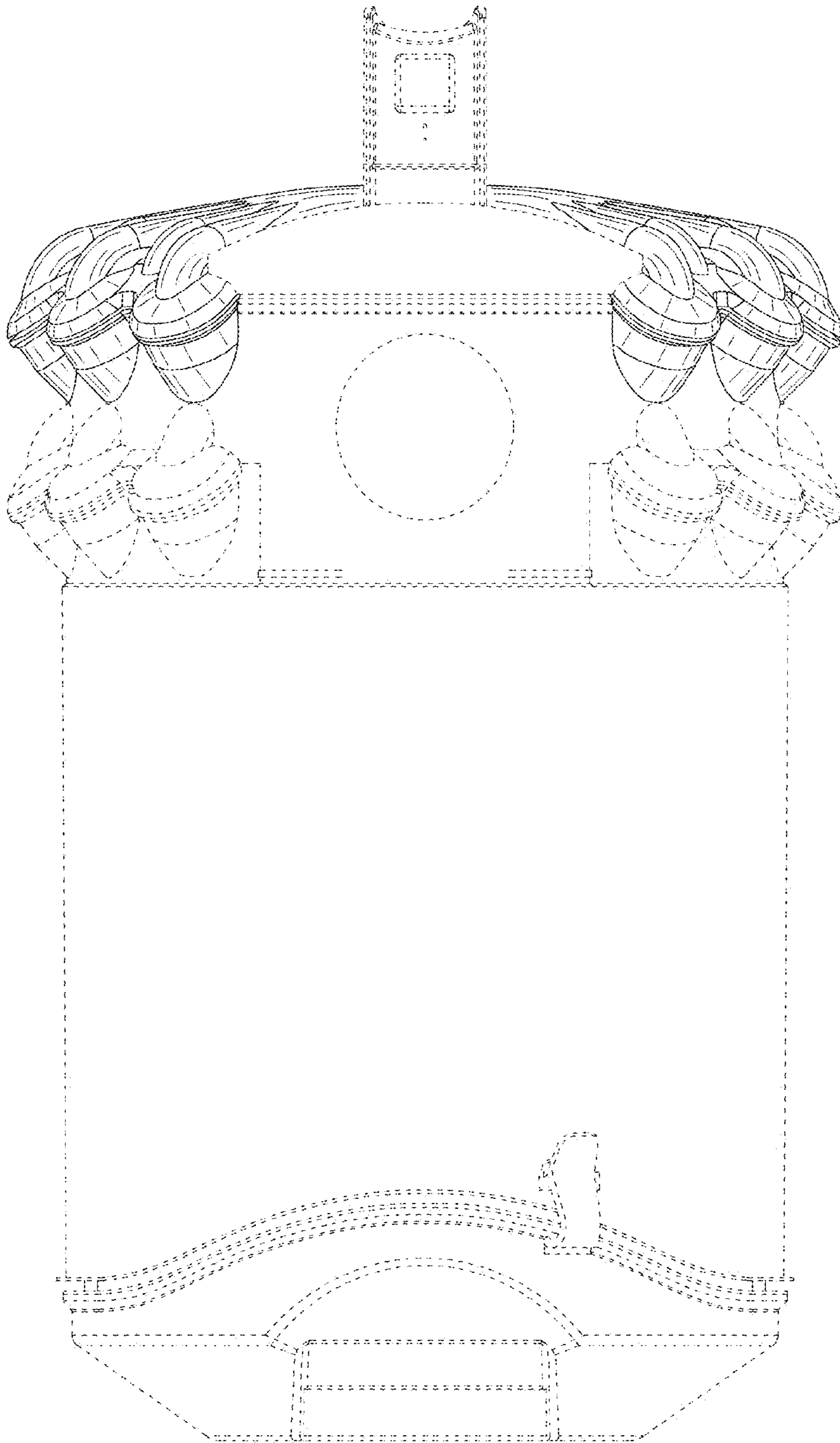


FIG. 5

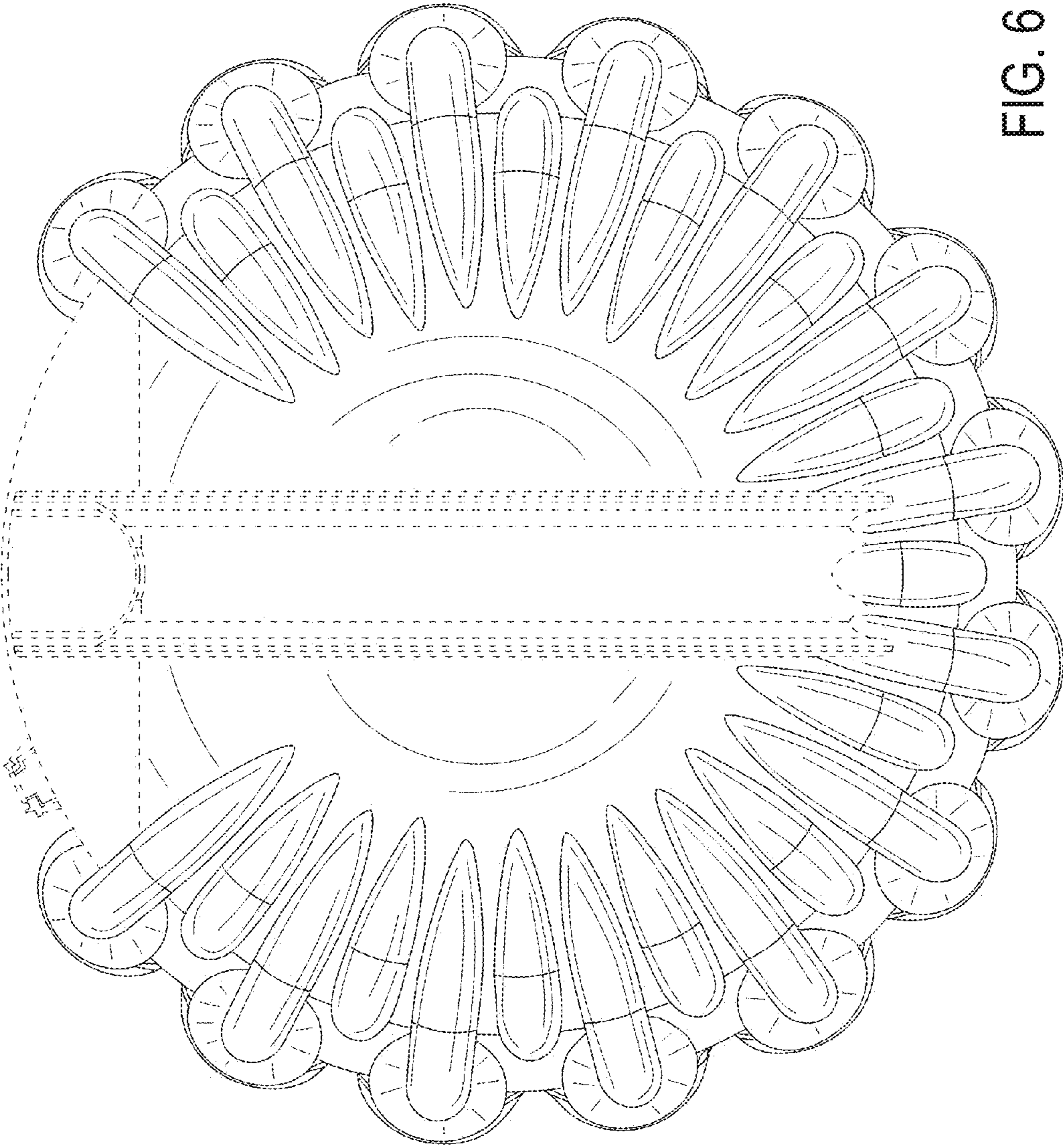


FIG. 6

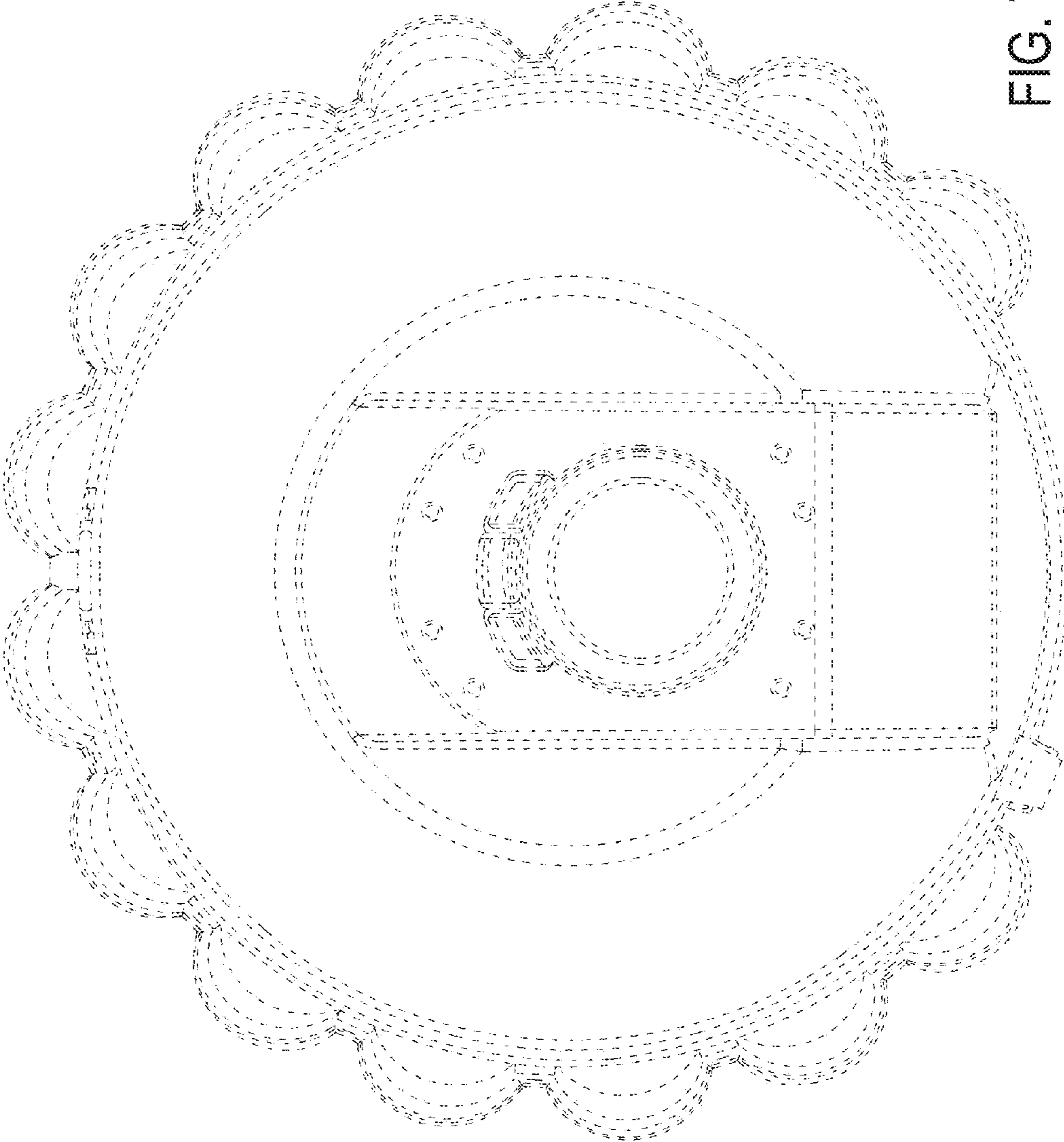


FIG. 7