



US00D766524S

(12) **United States Design Patent**  
**Ochi et al.**

(10) **Patent No.:** **US D766,524 S**

(45) **Date of Patent:** **\*\* Sep. 13, 2016**

(54) **VACUUM CLEANER**

(71) Applicant: **Panasonic Intellectual Property Management Co., Ltd., Osaka (JP)**

(72) Inventors: **Kensuke Ochi, Nara (JP); Hisashi Yoshida, Shiga (JP)**

(73) Assignee: **Panasonic Intellectual Property Management Co., Ltd., Osaka (JP)**

(\*\*) Term: **14 Years**

(21) Appl. No.: **29/516,065**

(22) Filed: **Jan. 29, 2015**

(30) **Foreign Application Priority Data**

Oct. 22, 2014 (JP) ..... 2014-023593

(51) **LOC (10) Cl.** ..... **15-05**

(52) **U.S. Cl.**  
USPC ..... **D32/21**

(58) **Field of Classification Search**  
USPC ..... D32/18, 21-24, 31  
CPC ..... A47L 9/16; A47L 9/20; A47L 9/1683;  
A47L 9/1666; A47L 9/1608; A47L 9/2857;  
A47L 9/2842; A47L 9/2836; A47L 9/2847;  
A47L 9/2852; A47L 5/28; A47L 7/0038;  
G06N 3/008; E04H 4/1654  
See application file for complete search history.

(56) **References Cited**

**U.S. PATENT DOCUMENTS**

D527,854 S \* 9/2006 Marzynski ..... D15/199  
D659,920 S \* 5/2012 Lee ..... D32/21

D743,646 S \* 11/2015 Fjellman ..... D32/21  
D744,705 S \* 12/2015 Fjellman ..... D32/21  
D751,259 S \* 3/2016 Fjellman ..... D32/21  
2009/0126143 A1 \* 5/2009 Haegermarck ..... A47L 9/00  
15/319

**FOREIGN PATENT DOCUMENTS**

EM 002077537-0002 7/2012  
EM 002319178-0001 10/2013

**OTHER PUBLICATIONS**

GRO—Designing products with personality & soul [LG—robot vacuum cleaner study—2010 p. 8-p. 9] <URL:http://www.grodesign.com/index.php/portfolio/lg-robotvac>.

\* cited by examiner

*Primary Examiner* — Ruth McInroy

(74) *Attorney, Agent, or Firm* — Panasonic IP Management; Kerry S. Culpepper

(57) **CLAIM**

We claim the ornamental design for a vacuum cleaner, as shown and described.

**DESCRIPTION**

FIG. 1 is a front perspective view of a vacuum cleaner of the present invention;  
FIG. 2 is a rear perspective view thereof;  
FIG. 3 is a front view thereof;  
FIG. 4 is a rear view thereof;  
FIG. 5 is a top view thereof;  
FIG. 6 is a bottom view thereof;  
FIG. 7 is a right side view thereof; and,  
FIG. 8 is a left side view thereof.

**1 Claim, 8 Drawing Sheets**

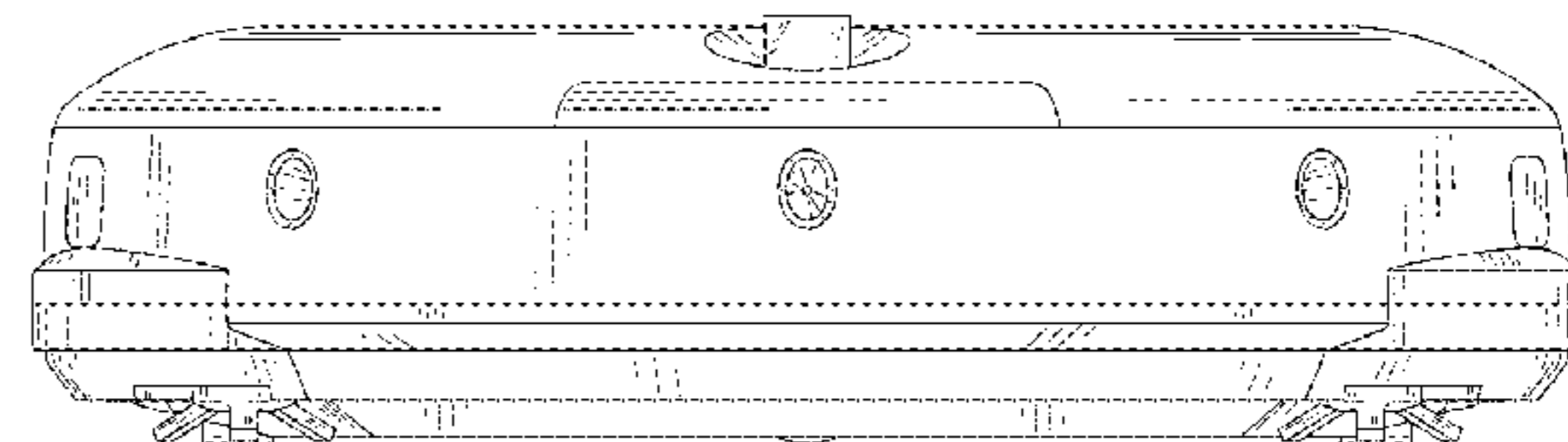
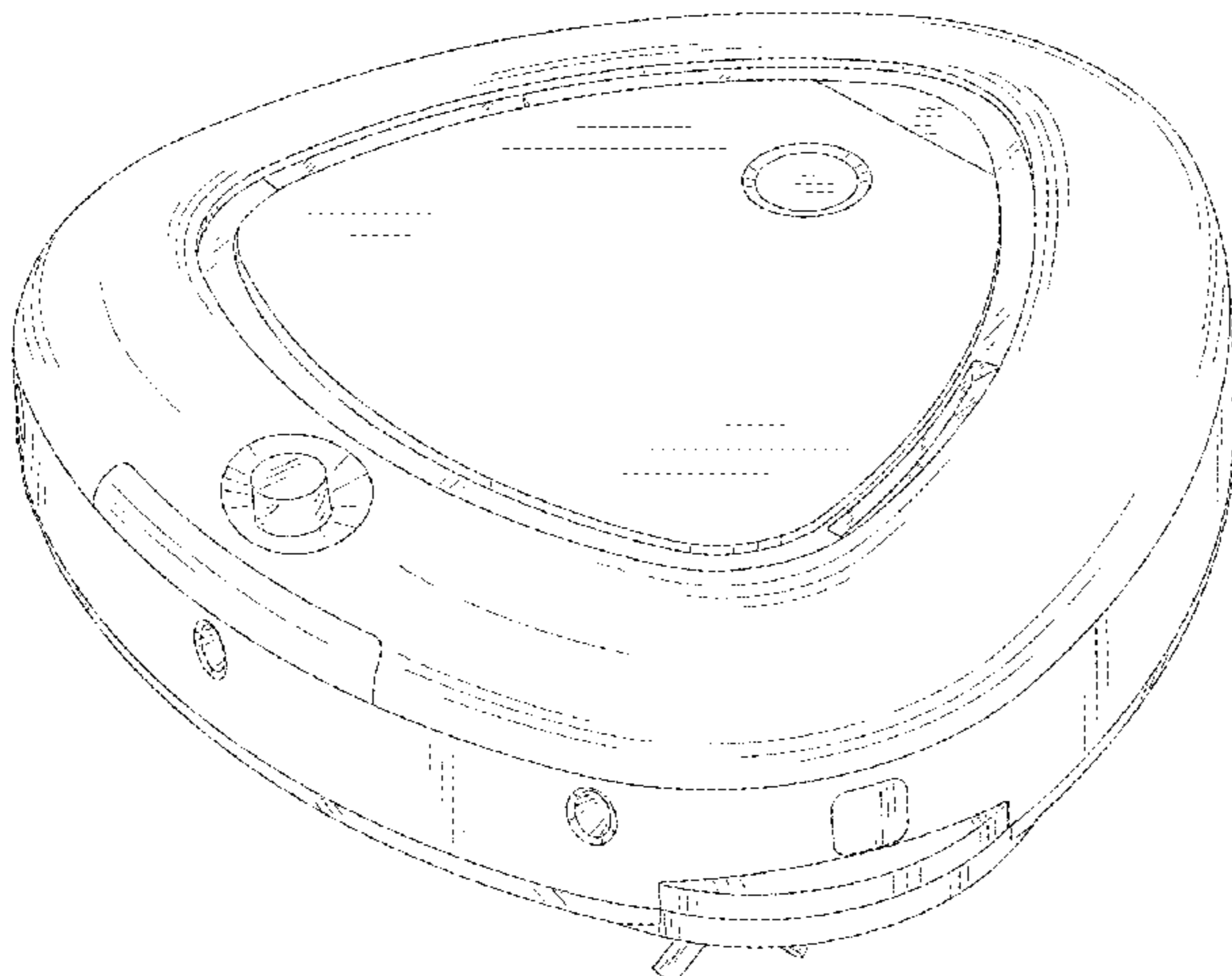


FIG. 1

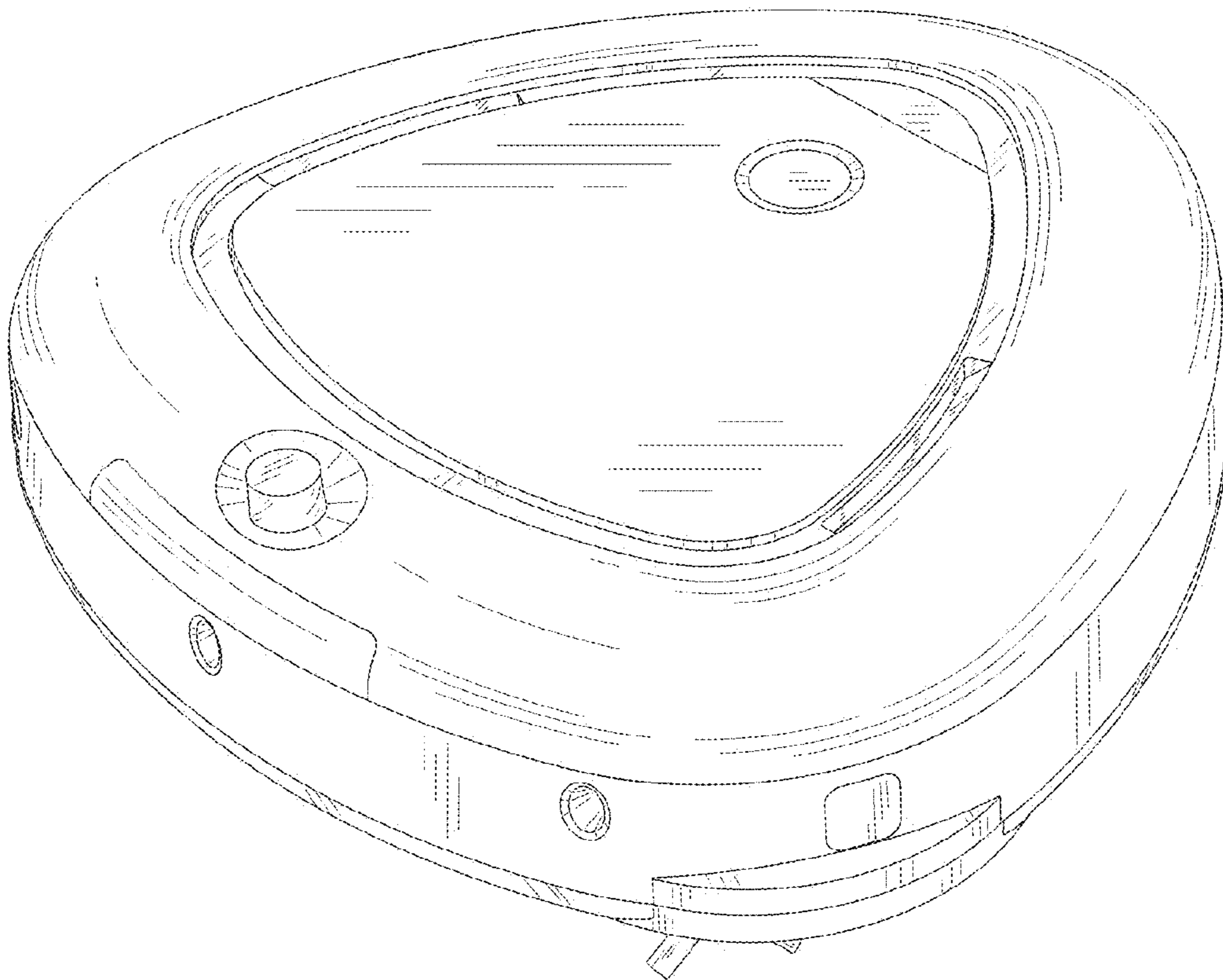


FIG. 2

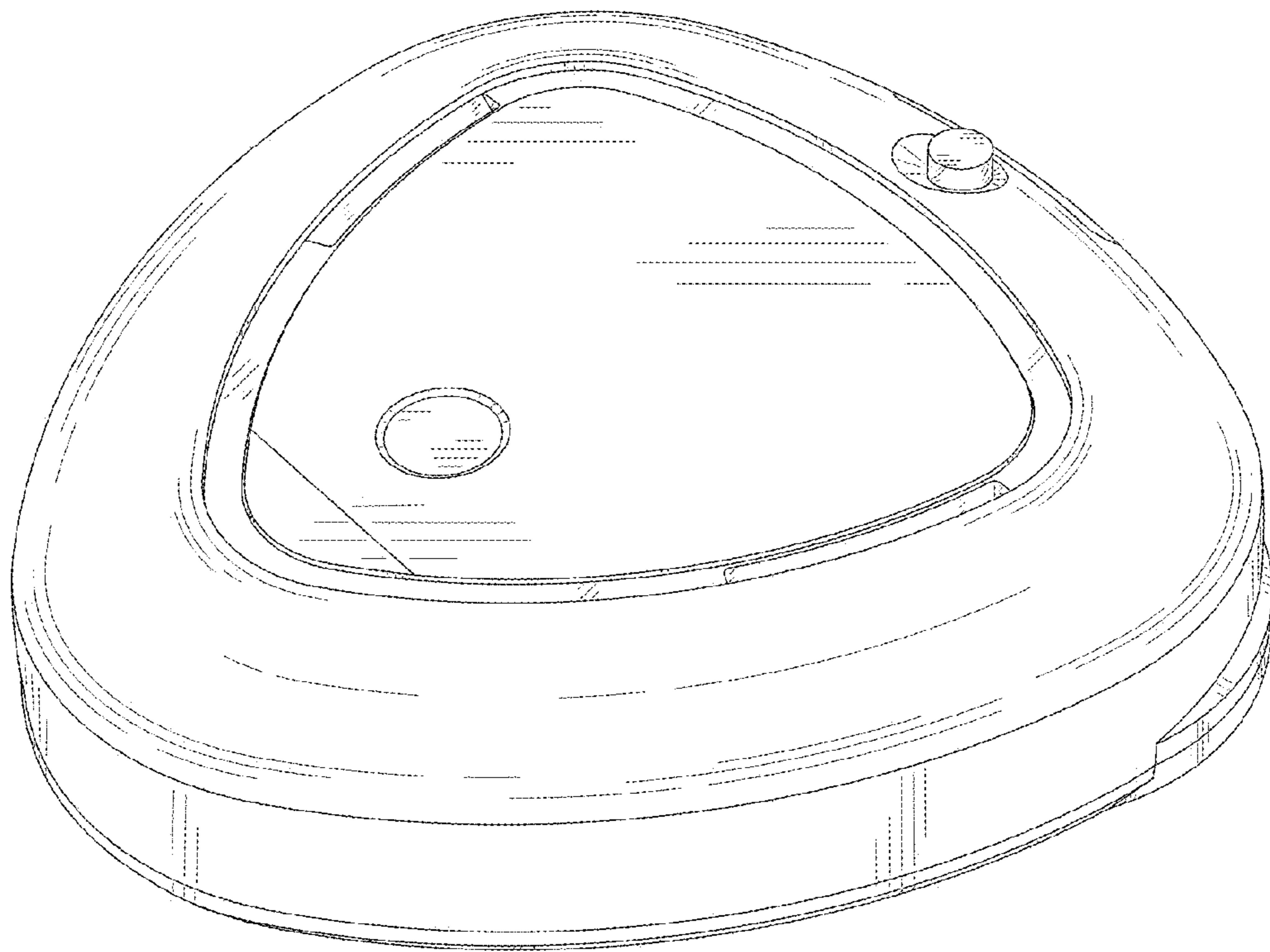


FIG. 3

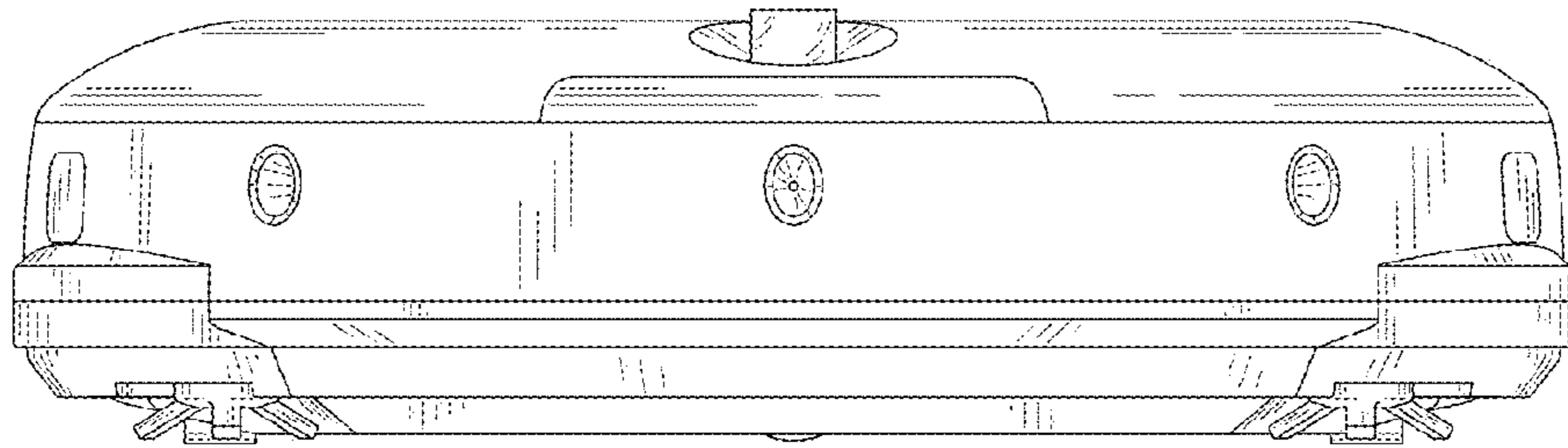


FIG. 4

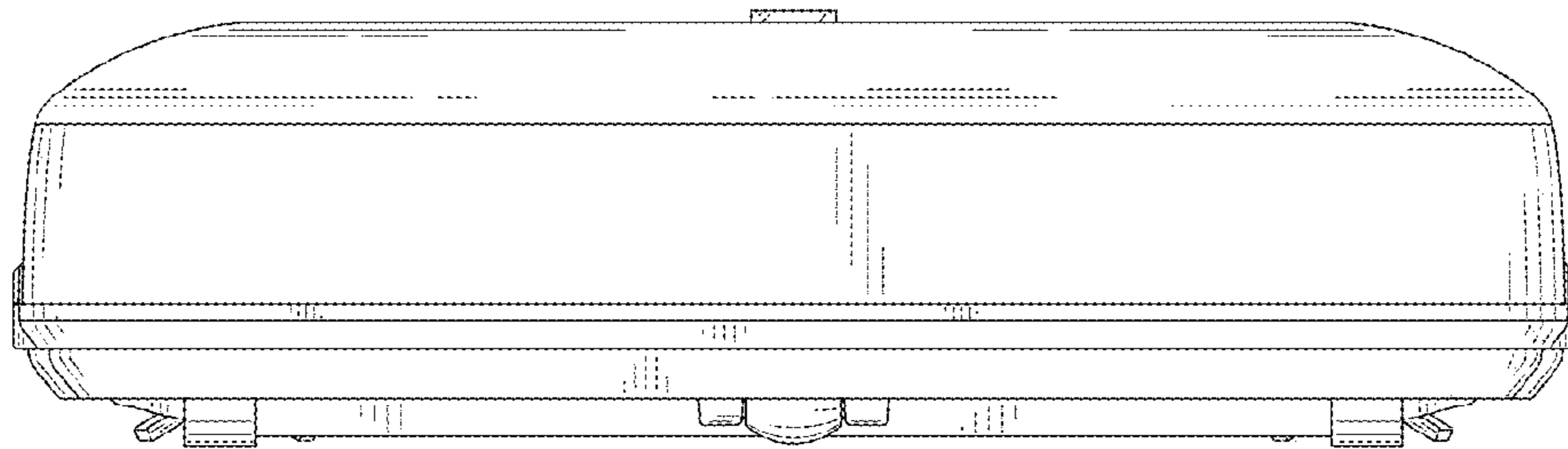


FIG. 5

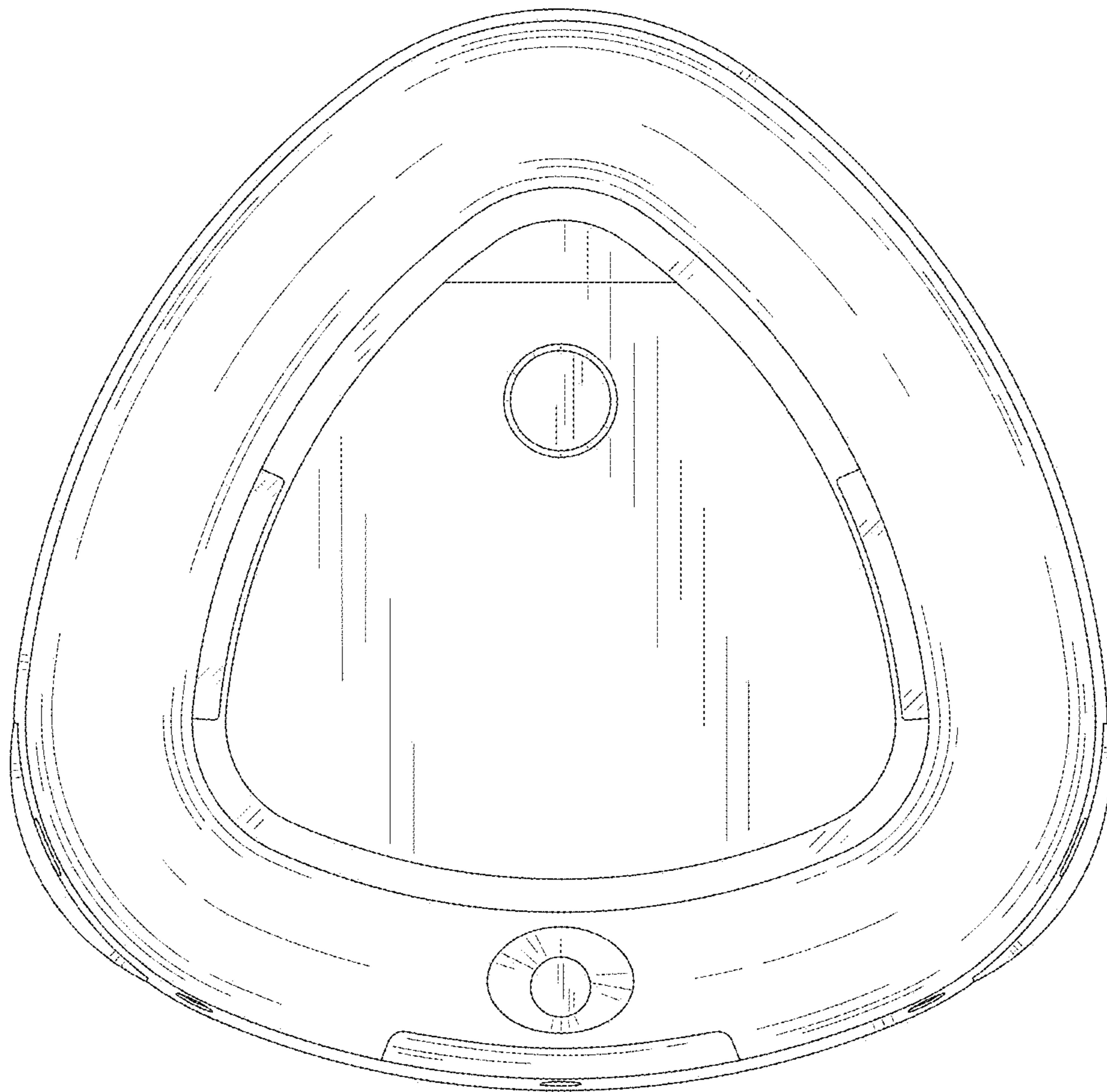


FIG. 6

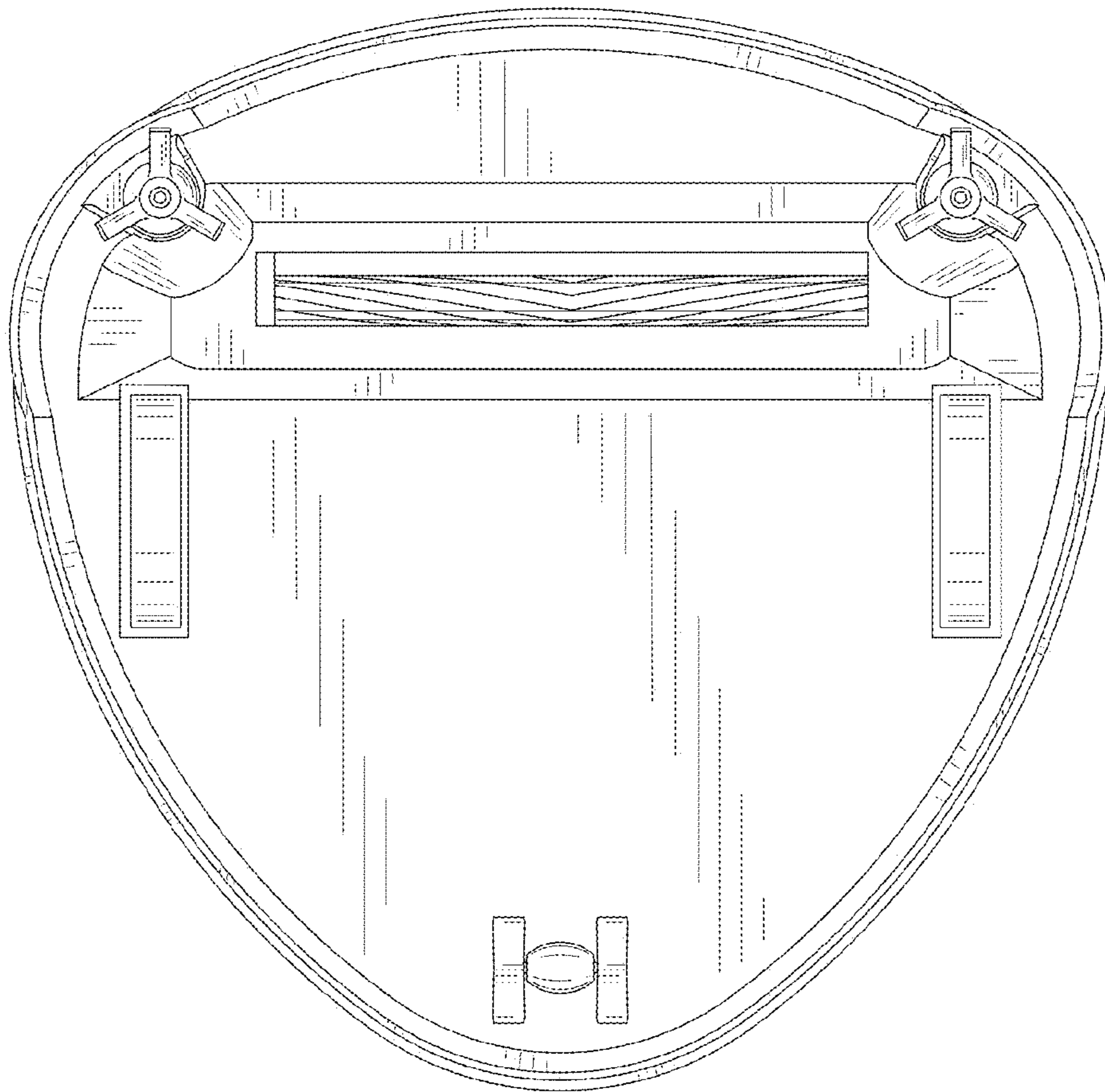


FIG. 7

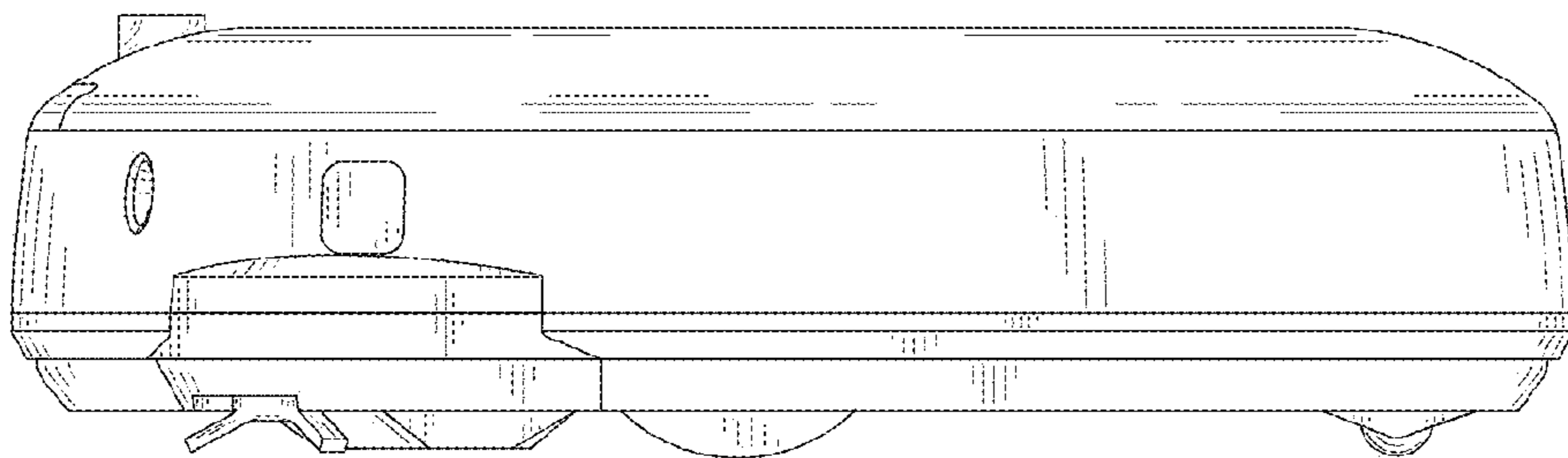




FIG. 8

