

US00D766520S

(12) **United States Design Patent** (10) **Patent No.:** **US D766,520 S**
Fletcher et al. (45) **Date of Patent:** **** Sep. 13, 2016**

(54) **HEARING PROTECTOR**

(56) **References Cited**

(71) Applicant: **3M INNOVATIVE PROPERTIES COMPANY**, St. Paul, MN (US)

U.S. PATENT DOCUMENTS

(72) Inventors: **Douglas D. Fletcher**, Woodbury, MN (US); **Nicolas A. Echeverri**, Woodbury, MN (US); **Kelly R. Potter**, Prior Lake, MN (US); **Brenda M. Bonney**, Woodbury, MN (US); **Jason T. Lunn**, Mahtomedi, MN (US); **Garin G. Ipsen**, West Lakeland, MN (US); **Gregory G. Jager**, Oakdale, MN (US); **Oscar M. Hemberg**, Dalarö (SE); **Eric O. Hemberg**, Shatin (HK)

3,051,961	A *	9/1962	Clark	A61F 11/14 181/129
3,681,540	A *	8/1972	Thomson	H04R 5/0335 381/374
D375,584	S *	11/1996	Westerdal	D29/112
D403,126	S *	12/1998	Scanlon	D29/112
D411,200	S *	6/1999	Almqvist	D14/192
D413,413	S *	8/1999	Dillon	D14/205
D427,382	S *	6/2000	Leight	D29/112
D434,191	S *	11/2000	Emilsson	D29/112
D459,033	S *	6/2002	Dix	D29/112

(Continued)

(73) Assignee: **3M INNOVATIVE PROPERTIES COMPANY**, St. Paul, MN (US)

FOREIGN PATENT DOCUMENTS

(**) Term: **14 Years**

CN	302619150	10/2013
CN	303041909	12/2014

(Continued)

(21) Appl. No.: **29/521,338**

Primary Examiner — Elizabeth J Oswecki

(22) Filed: **Mar. 23, 2015**

(74) *Attorney, Agent, or Firm* — Irina Hass

(51) **LOC (10) Cl.** **29-02**

(57) **CLAIM**

(52) **U.S. Cl.**
USPC **D29/112**

The ornamental design for a hearing protector, as shown and described.

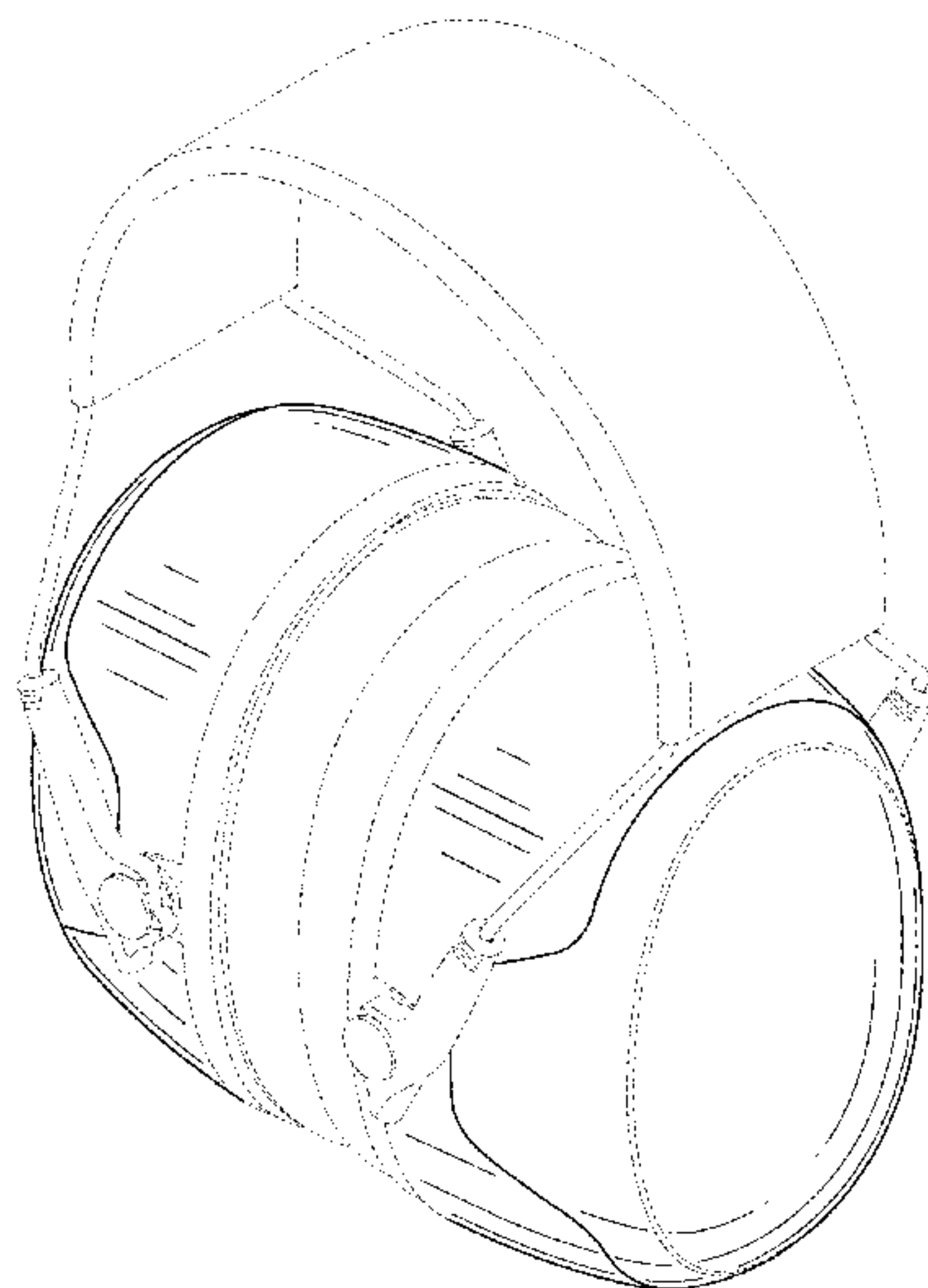
(58) **Field of Classification Search**
USPC D29/100, 102, 105, 106, 108, 112, 122;
2/455, 410, 417, 423, 424, 425, 9, 171,
2/208, 209, 918; D14/205, 223, 249;
181/129, 130, 135; 379/430, 431;
381/380, 381; 455/90.3, 575.1
CPC A42B 3/16; A42B 3/163; A42B 3/166;
A61F 11/06; A61F 11/08; A61F 11/10;
A61F 11/12; A61F 11/14; A61F 2011/085;
H04R 1/10; H04R 1/1008; H04R 1/1016;
H04R 1/105; H04R 1/1058; H04R 1/1066;
H04R 1/1075; H04R 1/1083; H04R 5/0335;
H04R 25/652; H04R 25/654; H04R 25/656;
A63B 71/10

DESCRIPTION

FIG. 1 is a perspective view of a hearing protector showing our new design;
FIG. 2 is a top view thereof;
FIG. 3 is a front view thereof, a rear view being a mirror image thereof;
FIG. 4 is a bottom view thereof; and,
FIG. 5 is a right side view thereof, a left side view being a mirror image thereof.
The portions of the hearing protector in FIGS. 1-5 shown in broken lines are included to show features that form no part of the claimed design.

See application file for complete search history.

1 Claim, 3 Drawing Sheets



(56)

References Cited

U.S. PATENT DOCUMENTS

D459,034 S * 6/2002 Dix D29/112
D459,337 S * 6/2002 Mori D14/192
D465,616 S * 11/2002 Nilsson D29/112
D468,063 S * 12/2002 Nilsson D29/112
D509,323 S * 9/2005 Emilsson D29/112
7,172,052 B2 * 2/2007 Lenhard-Backhaus H04R 1/1066

D541,483 S * 4/2007 Birgersson D29/112
D616,865 S * 6/2010 Marchand D14/205
D633,894 S * 3/2011 Meyer D14/205
D663,900 S 7/2012 Karlsson

D663,902 S 7/2012 Karlsson
D701,193 S * 3/2014 Kelly D14/205
D703,183 S * 4/2014 Moriya D14/206
D707,654 S * 6/2014 Nguyen D14/205
D735,419 S * 7/2015 Rose D29/112
D736,475 S * 8/2015 Fletcher D29/112
D741,286 S * 10/2015 Brennwald D14/205
D747,557 S * 1/2016 Bonney D29/112

FOREIGN PATENT DOCUMENTS

CN 303107327 2/2015
TW 125920 11/2008
TW 164751 12/2014

* cited by examiner

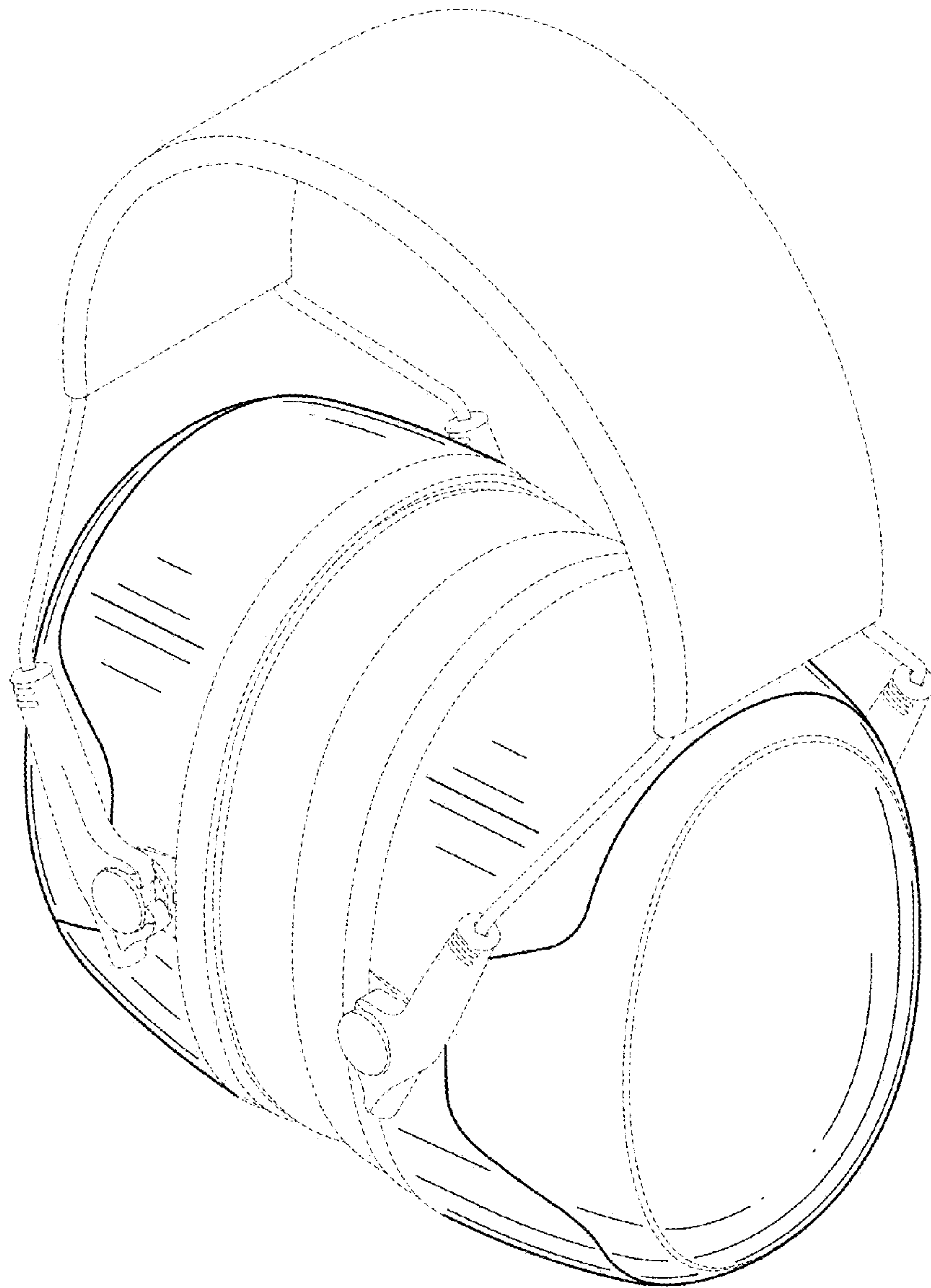


FIG. 1

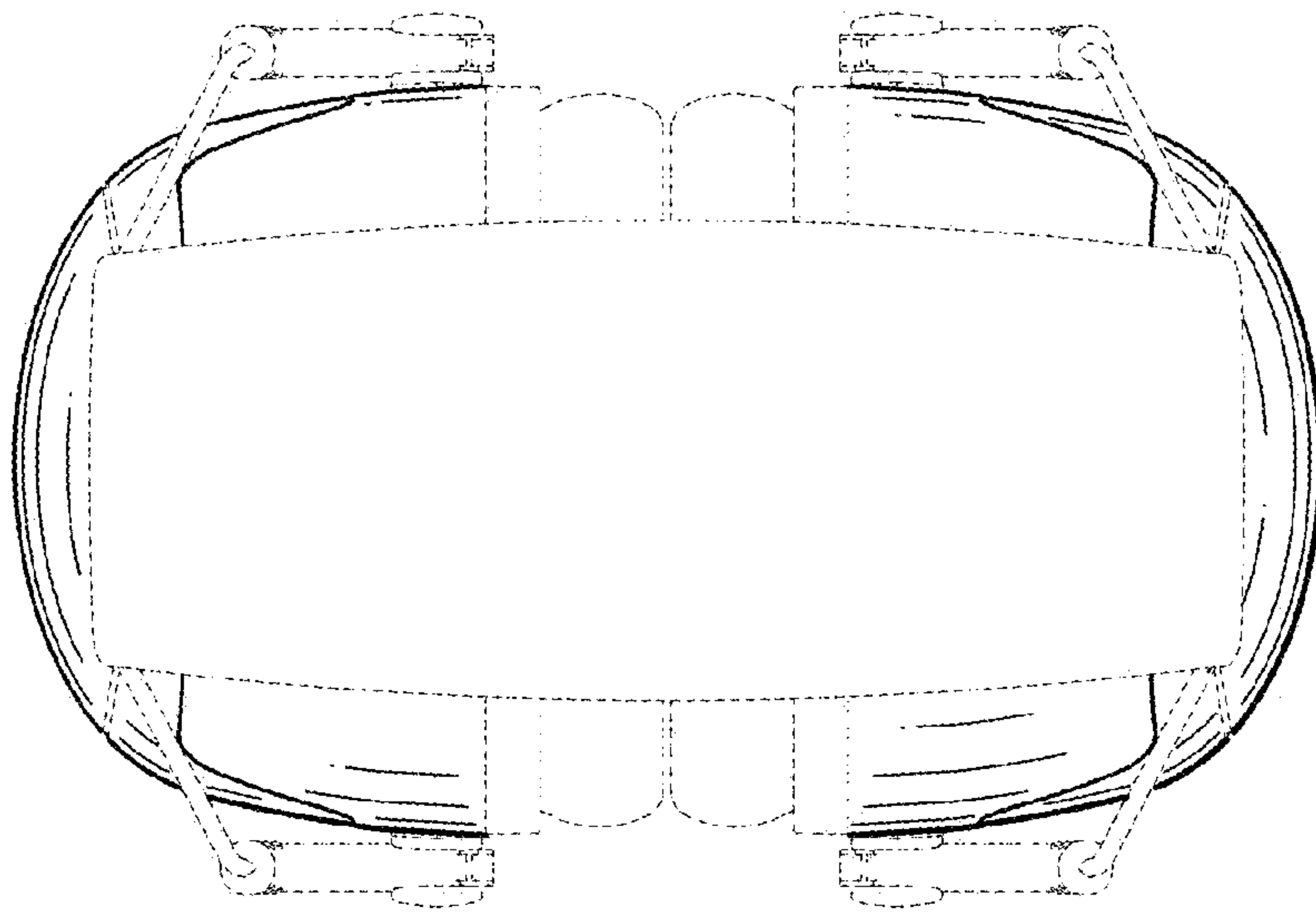


FIG. 2

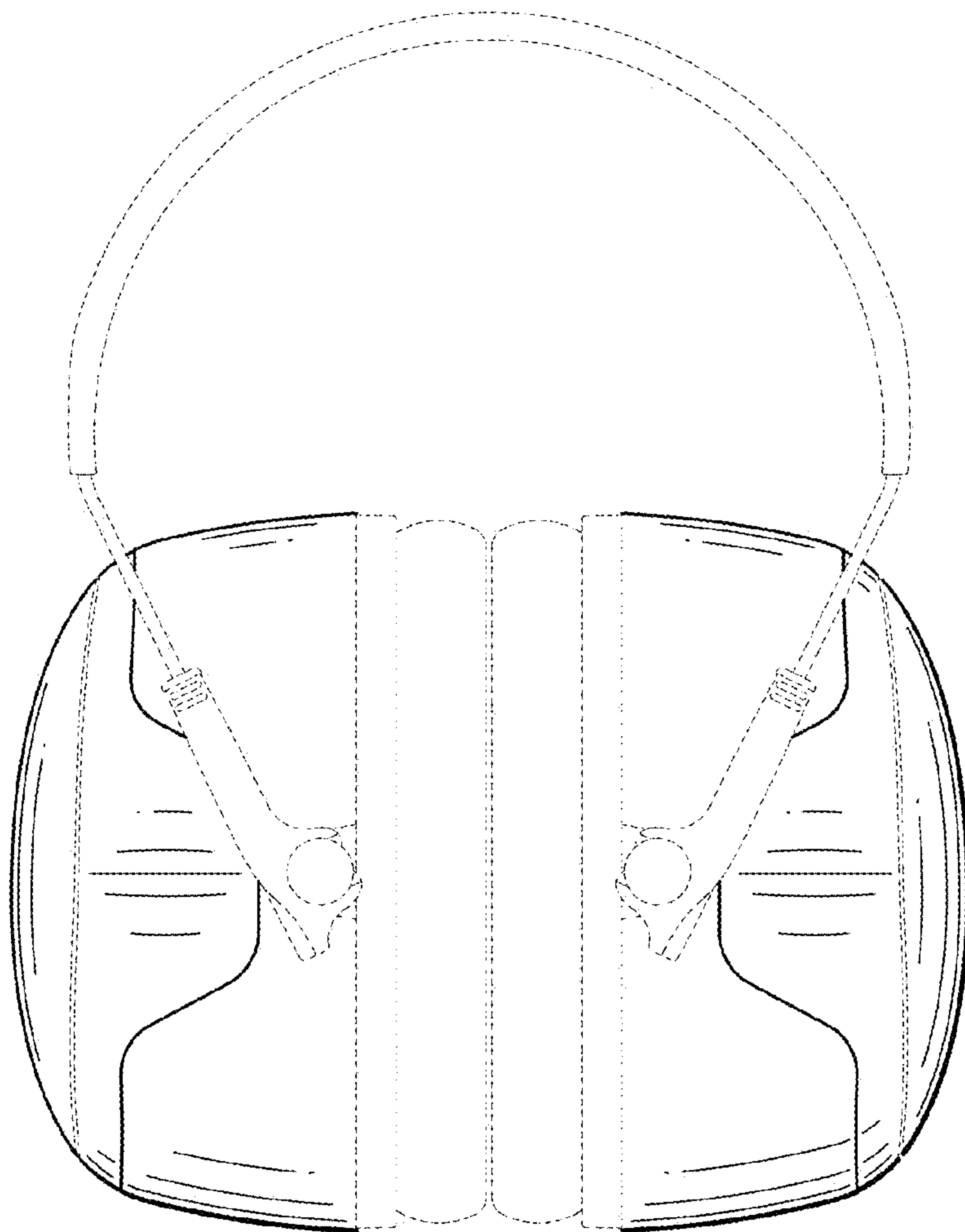


FIG. 3

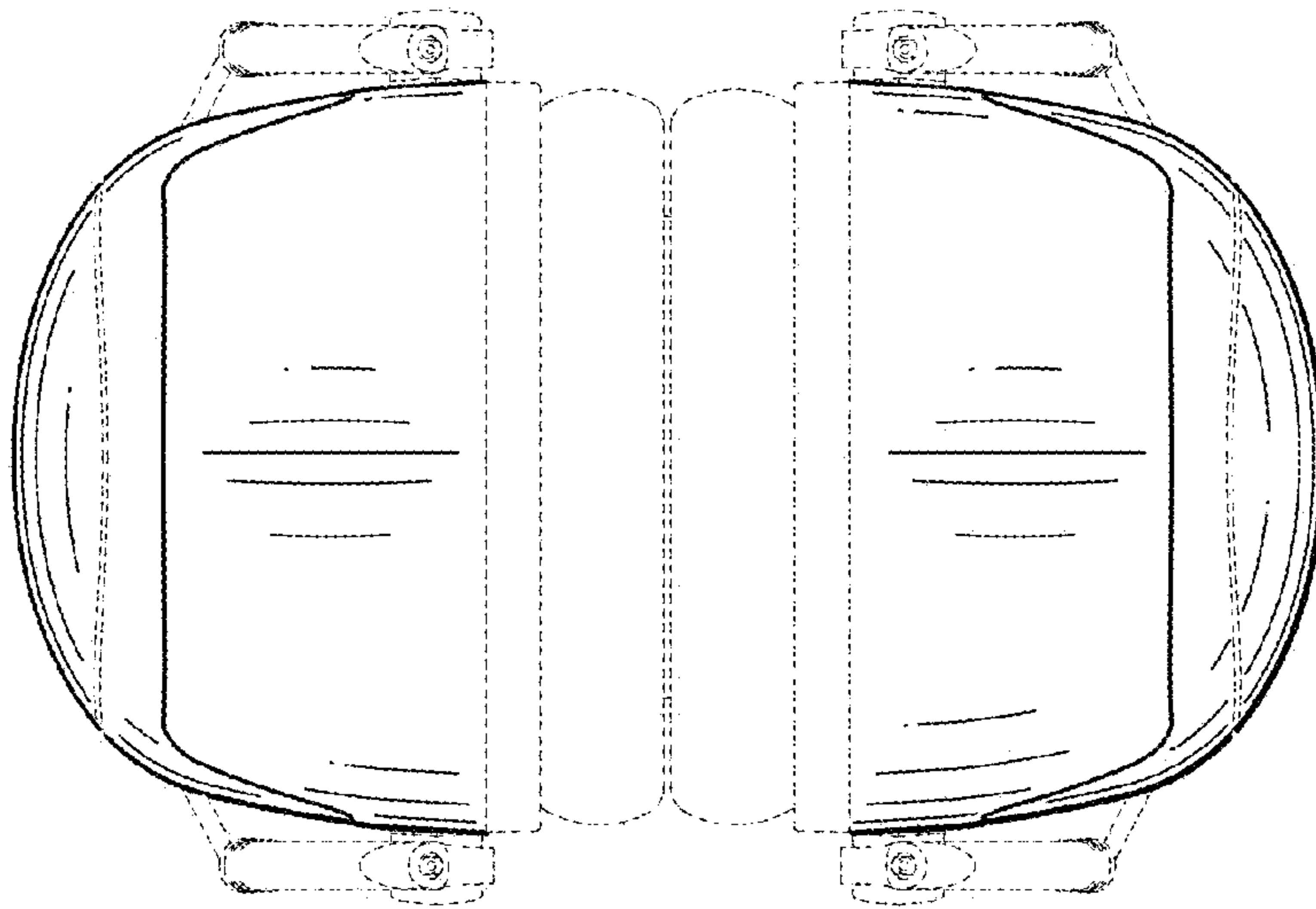


FIG. 4

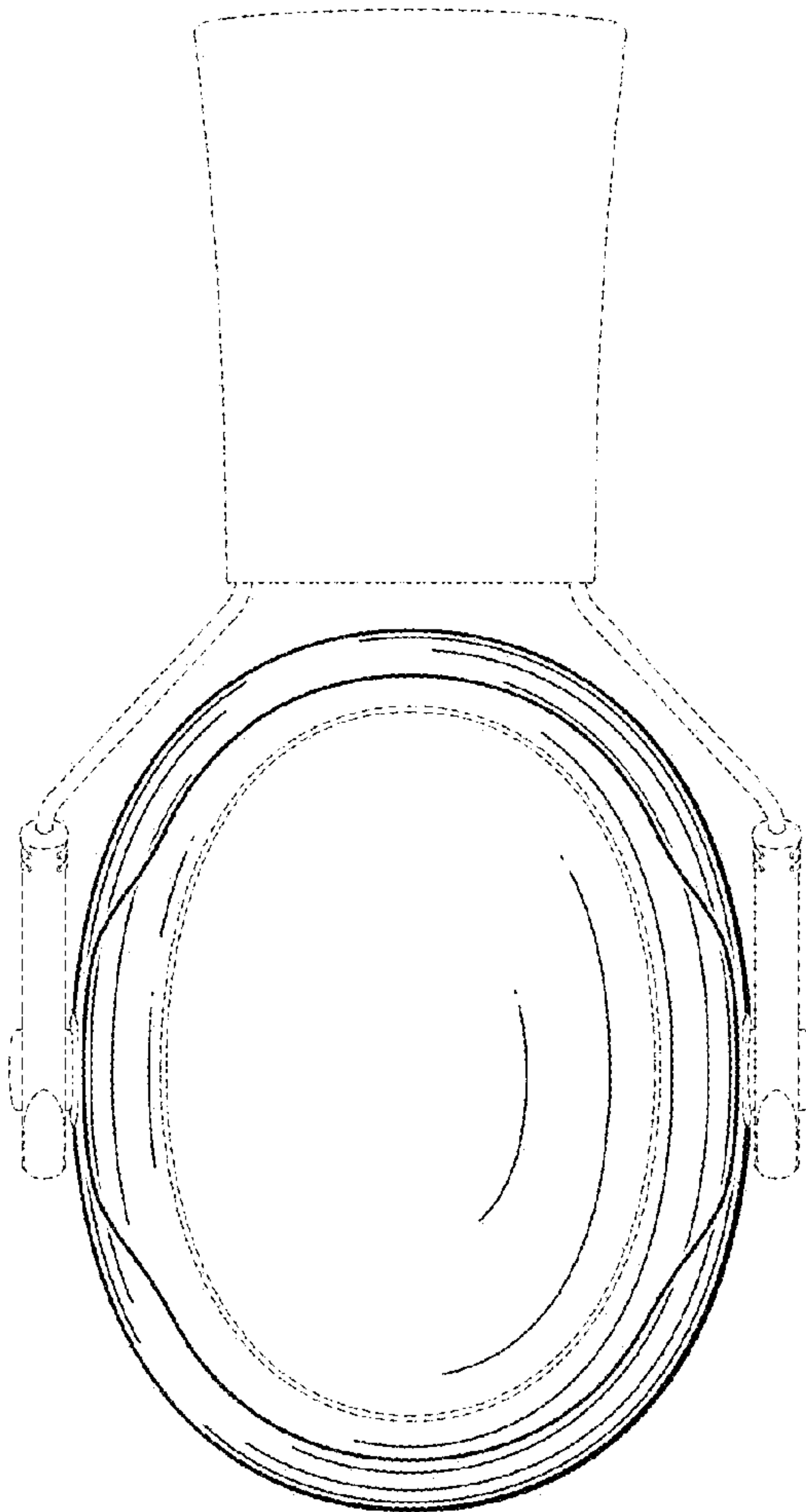


FIG. 5