

US00D766519S

(12) **United States Design Patent** (10) **Patent No.:** **US D766,519 S**
Lamson (45) **Date of Patent:** **** Sep. 13, 2016**

(54) **FACEMASK**

- (71) Applicant: **Xenith, LLC**, Lowell, MA (US)
- (72) Inventor: **Kyle Lamson**, Chelmsford, MA (US)
- (73) Assignee: **XENITH, LLC**, Lowell, MA (US)
- (**) Term: **15 Years**
- (21) Appl. No.: **29/565,002**
- (22) Filed: **May 17, 2016**
- (51) **LOC (10) Cl.** **29-02**
- (52) **U.S. Cl.**
USPC **D29/111**
- (58) **Field of Classification Search**
USPC D29/102, 108, 111, 122; D2/866, 891,
D2/875
CPC A42B 3/00; A42B 3/18; A42B 3/20;
A42B 3/32; A42B 3/324
See application file for complete search history.

(56) **References Cited**

U.S. PATENT DOCUMENTS

- 4,736,466 A * 4/1988 Kallstrom A63B 71/10
D29/111
- 5,806,088 A * 9/1998 Zide A42B 3/20
2/424
- D758,669 S * 6/2016 Collette D29/111
- 2009/0044316 A1 * 2/2009 Udelhofen A42B 3/20
2/424

OTHER PUBLICATIONS

<http://www.xenith.com/pages/facemasks>; downloaded May 11, 2016; 6 pp.

* cited by examiner

Primary Examiner — Robert Delehanty

(74) *Attorney, Agent, or Firm* — Morgan, Lewis & Bockius LLP

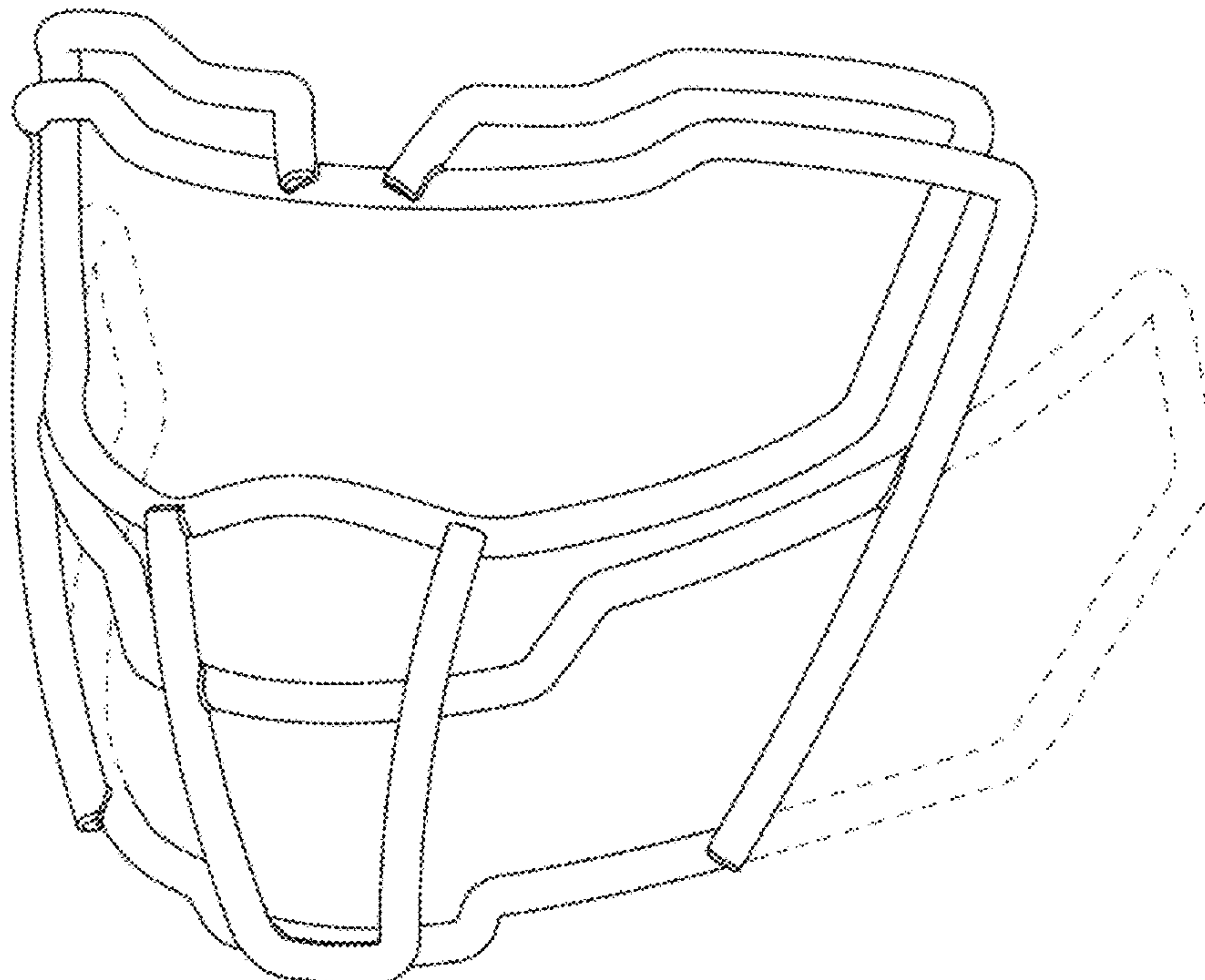
(57) **CLAIM**

The ornamental design for a facemask, as shown and described.

DESCRIPTION

FIG. 1 is a front perspective view of a facemask showing my new design;
 FIG. 2 is a rear elevational view of the facemask shown in FIG. 1;
 FIG. 3 is a front elevational view of the facemask shown in FIG. 1;
 FIG. 4 is a left-side elevational view of the facemask shown in FIG. 1, the right-side elevational view being a mirror image thereof;
 FIG. 5 is a top plan view of the facemask shown in FIG. 1; and,
 FIG. 6 is a bottom plan view of the facemask shown in FIG. 1.
 The broken lines shown in the drawings represent portions of the facemask that form no part of the claimed design.

1 Claim, 6 Drawing Sheets



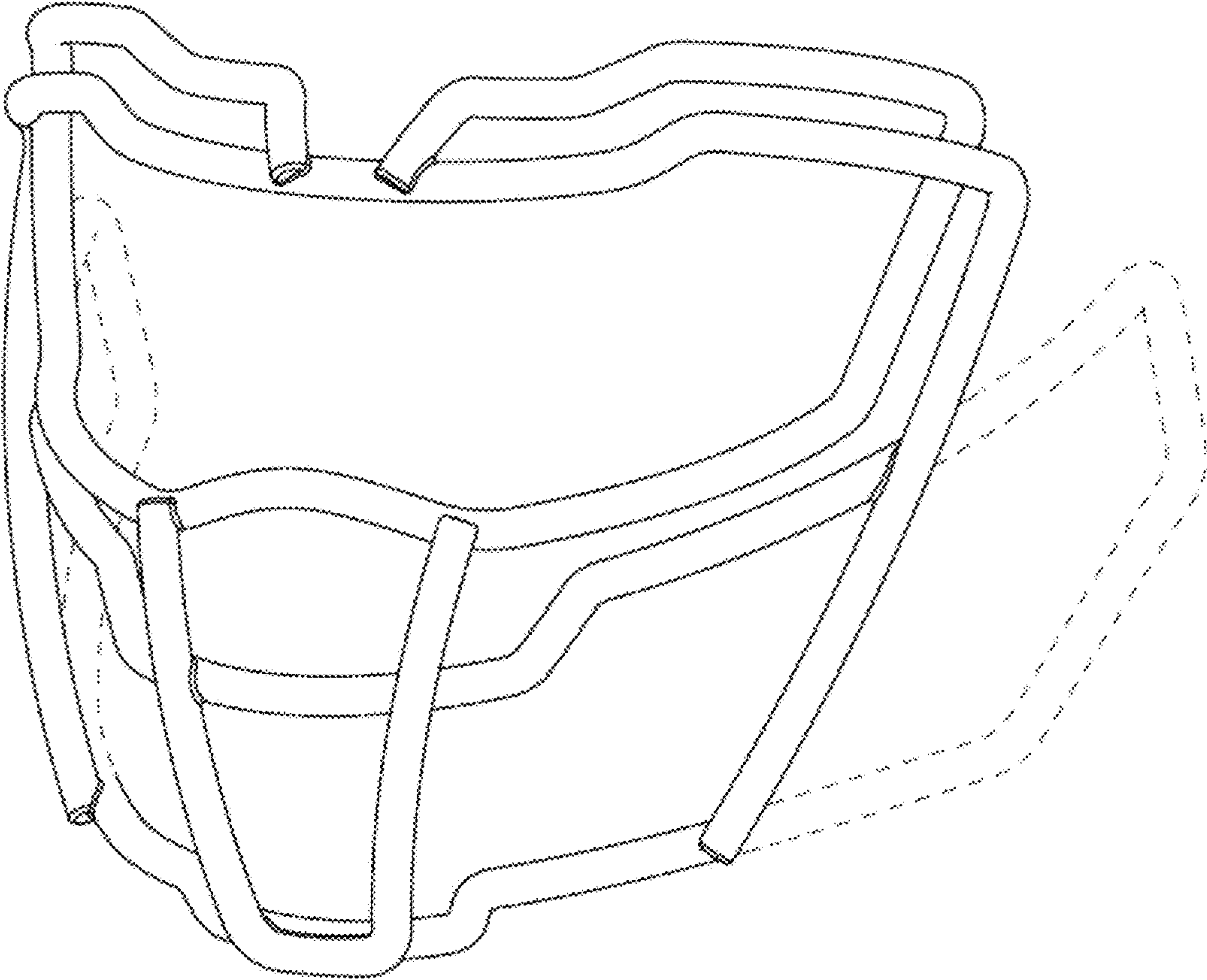


Fig. 1

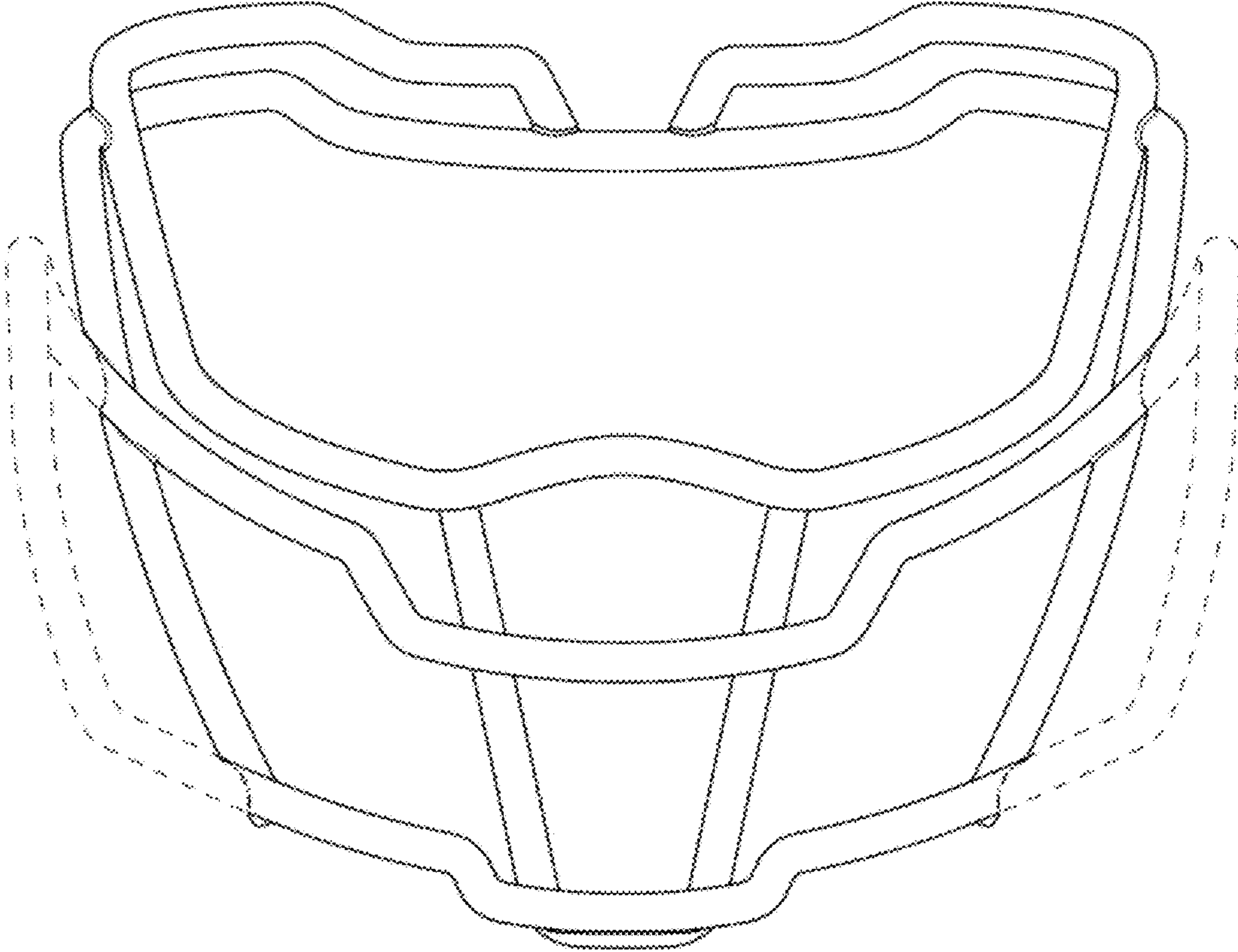


Fig. 2

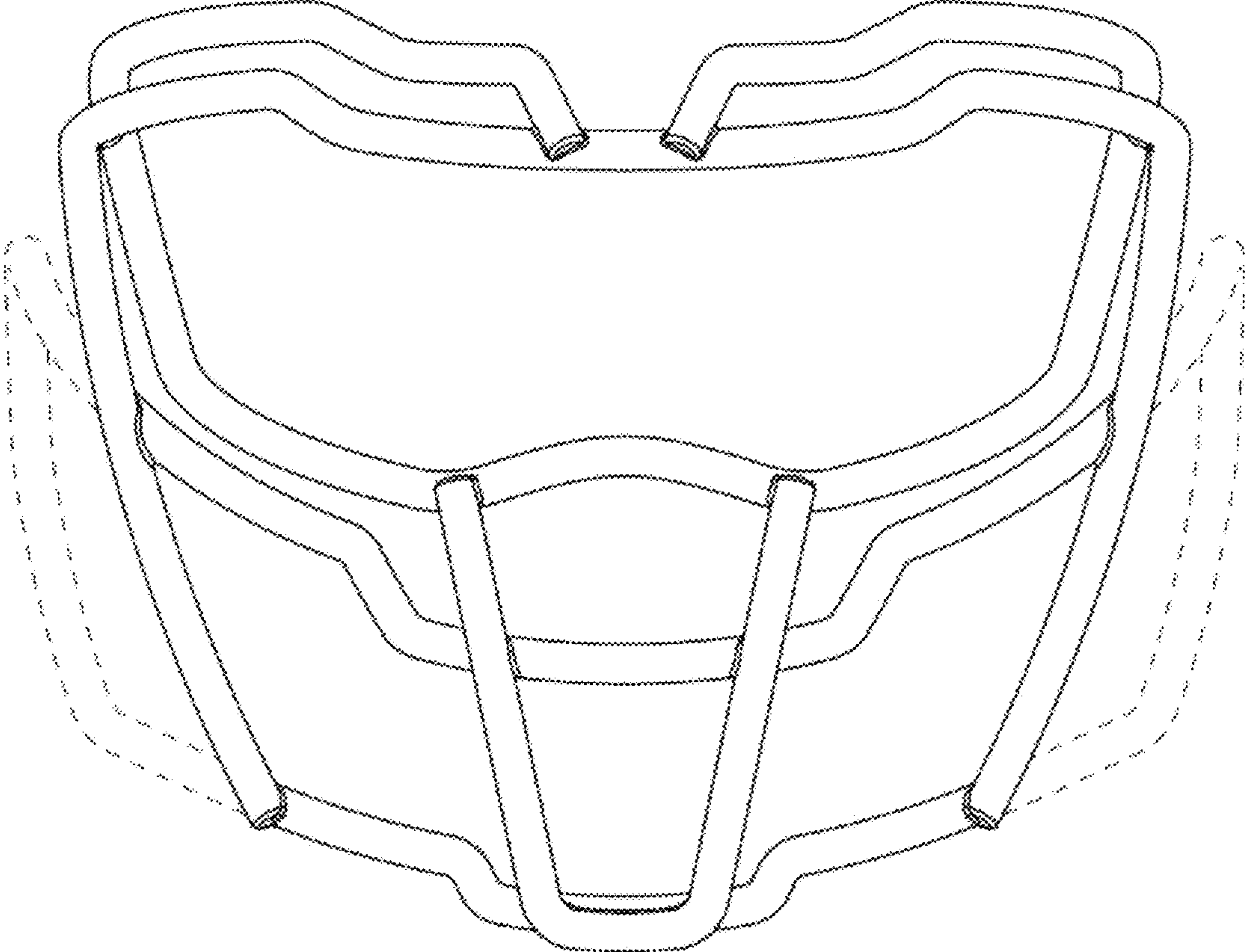


Fig. 3

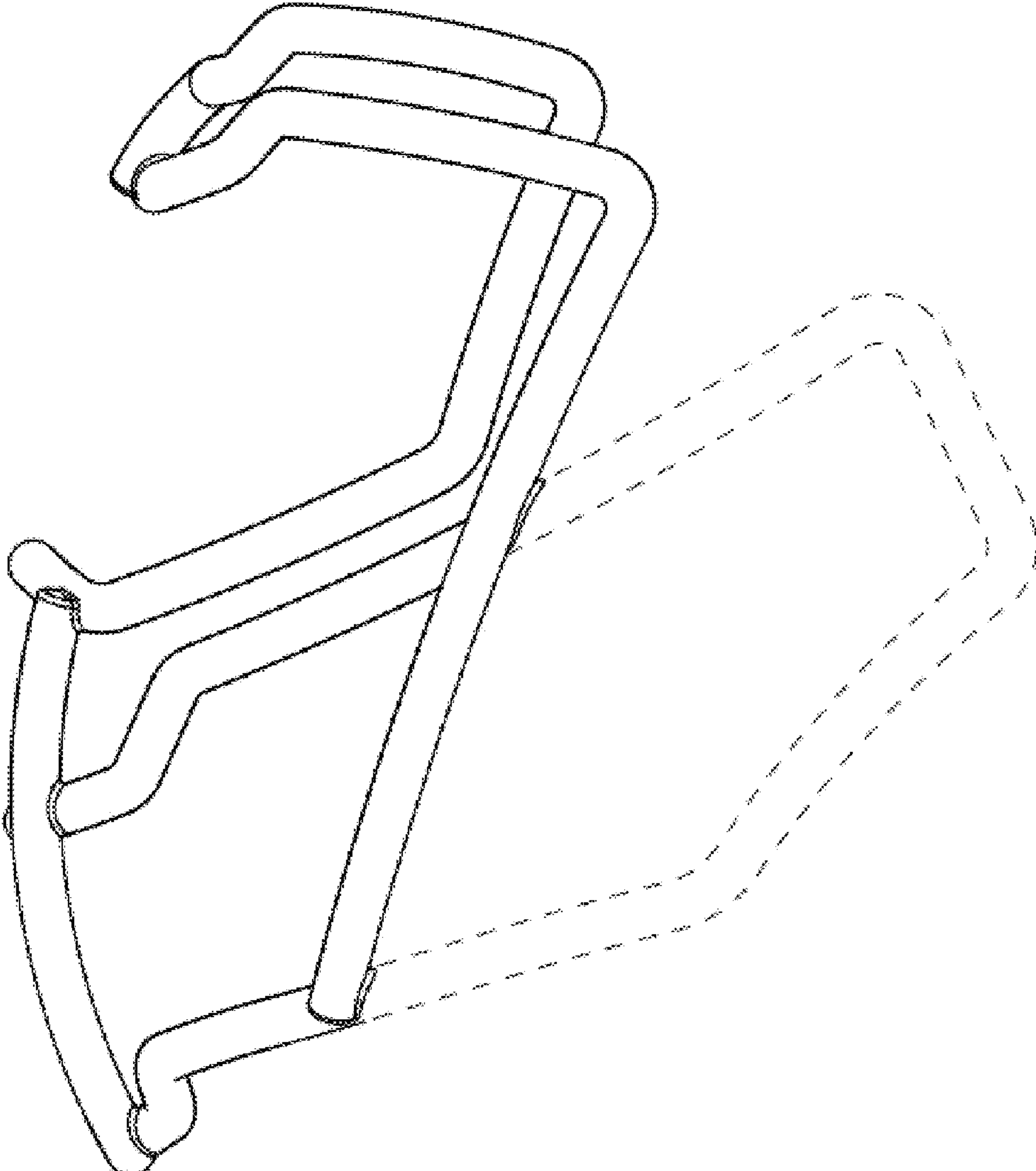


Fig. 4

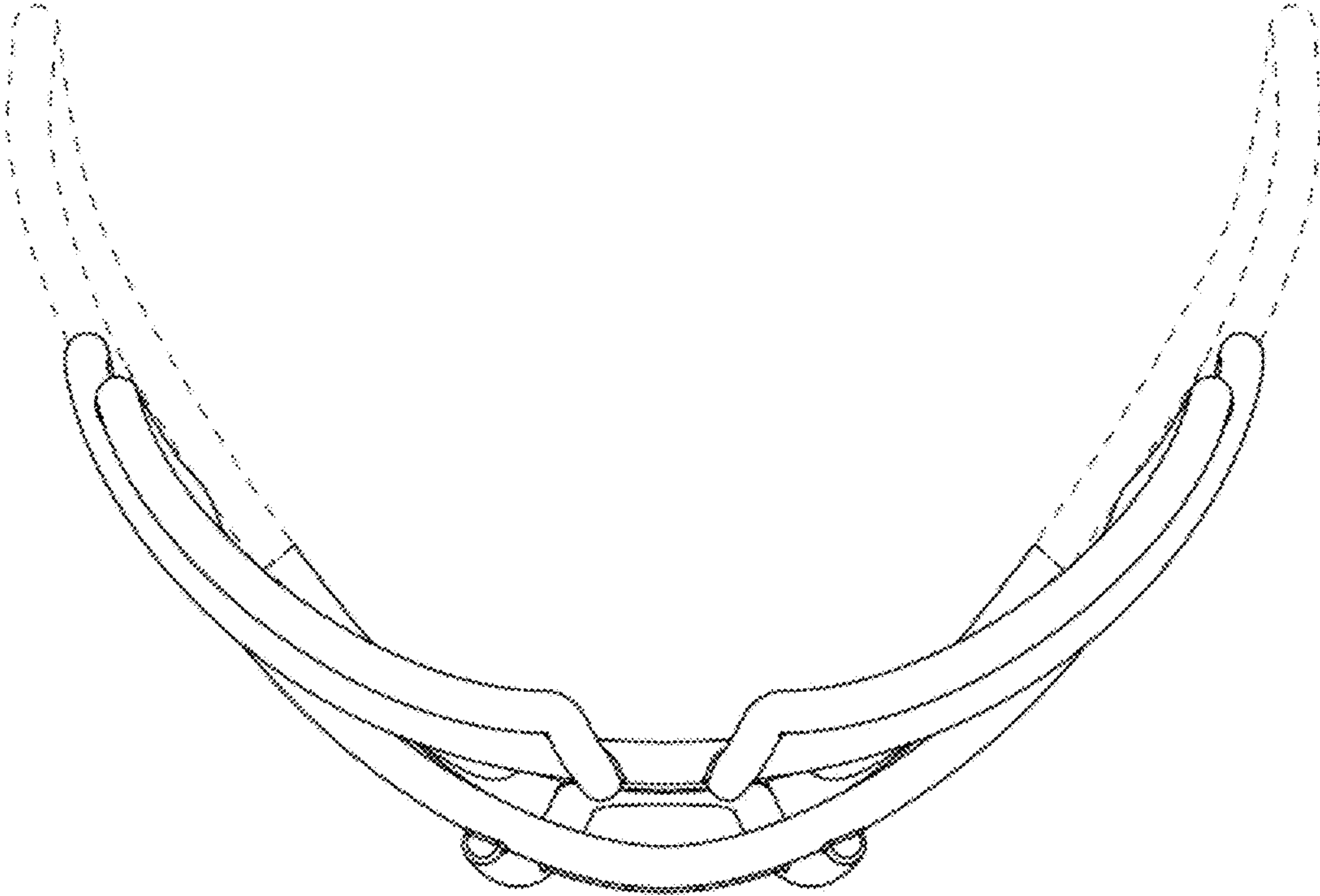


Fig. 5

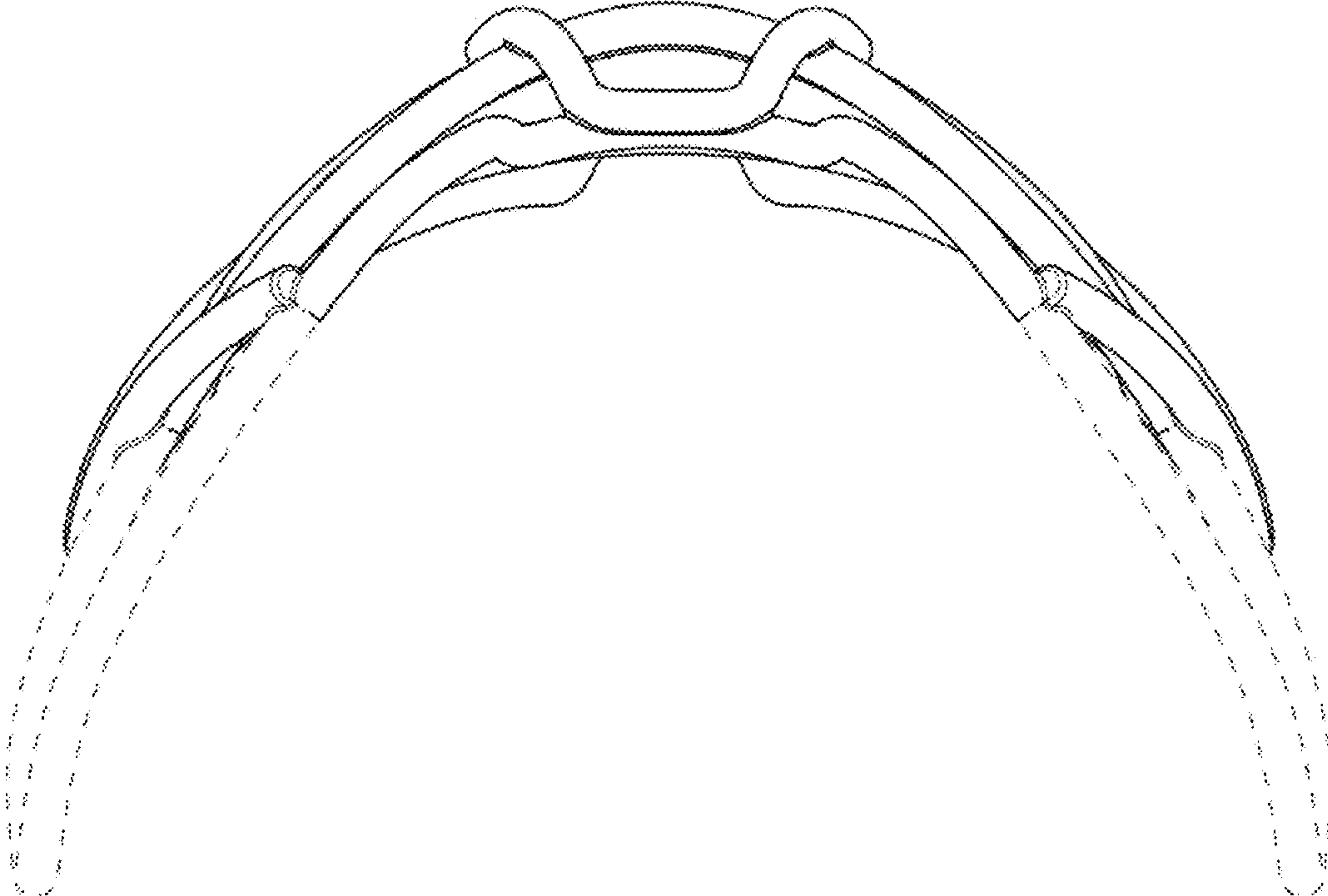


Fig. 6