

US00D766506S

(12) **United States Design Patent** (10) **Patent No.:** **US D766,506 S**
Bruno et al. (45) **Date of Patent:** **** Sep. 13, 2016**

(54) **RAZOR CARTRIDGE**

(56) **References Cited**

(71) Applicant: **The Gillette Company**, Boston, MA (US)

(72) Inventors: **Michael Hal Bruno**, Burlington, MA (US); **Christopher Ramm**, North Attleboro, MA (US); **Matthew Michael Long**, Methuen, MA (US)

(73) Assignee: **The Gillette Company**, Boston, MA (US)

(**) Term: **15 Years**

(21) Appl. No.: **29/530,330**

(22) Filed: **Jun. 16, 2015**

(51) **LOC (10) Cl.** **28-03**

(52) **U.S. Cl.**
USPC **D28/47**

(58) **Field of Classification Search**
USPC D28/46-48
CPC B62B 21/00-21/12; B62B 21/14; B62B 21/165; B62B 21/18; B62B 21/24; B62B 21/30; B62B 21/32; B62B 21/40; B62B 21/4062; B62B 21/4068; B62B 21/4075; B62B 21/52-21/528; B26B 21/16; B26B 21/185; B26B 21/20-21/227; B26B 21/28; B26B 21/4012-21/4025; B26B 21/4081-21/4093; B26B 21/443

See application file for complete search history.

U.S. PATENT DOCUMENTS

D730,578 S *	5/2015	Long et al.	D28/47
D737,511 S *	8/2015	Lettenberger	D28/47
D737,512 S *	8/2015	Bruno	D28/47
D741,008 S *	10/2015	Bruno	D28/47
D741,009 S *	10/2015	Bruno	D28/47
D741,010 S *	10/2015	Wang	D28/47
D741,011 S *	10/2015	Forti	D28/47

* cited by examiner

Primary Examiner — Jennifer Rivard

(74) *Attorney, Agent, or Firm* — Joanne N. Pappas; Kevin C. Johnson; Steven W. Miller

(57) **CLAIM**

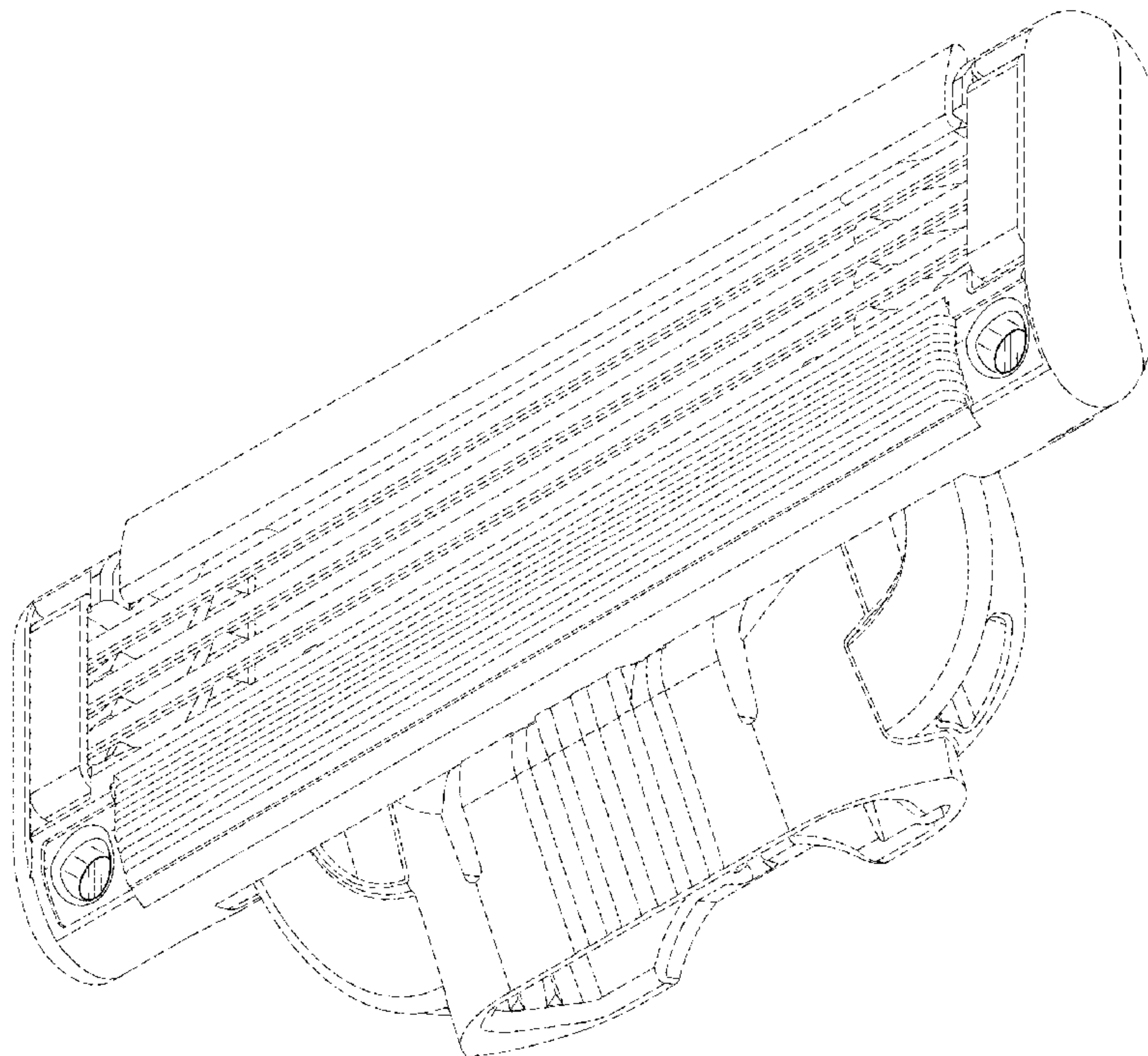
The ornamental design for a razor cartridge, as shown and described.

DESCRIPTION

FIG. 1 is a perspective view of a design of a guard element for a razor cartridge of the present invention;
 FIG. 2 is a front view thereof;
 FIG. 3 is a back view thereof;
 FIG. 4 is a top view thereof;
 FIG. 5 is a bottom view thereof;
 FIG. 6 is a left side view thereof;
 FIG. 7 is a right side view thereof; and,
 FIG. 8 is another perspective view thereof.

The broken lines illustrate portions of the razor cartridge and form no part of the claimed design.

1 Claim, 6 Drawing Sheets



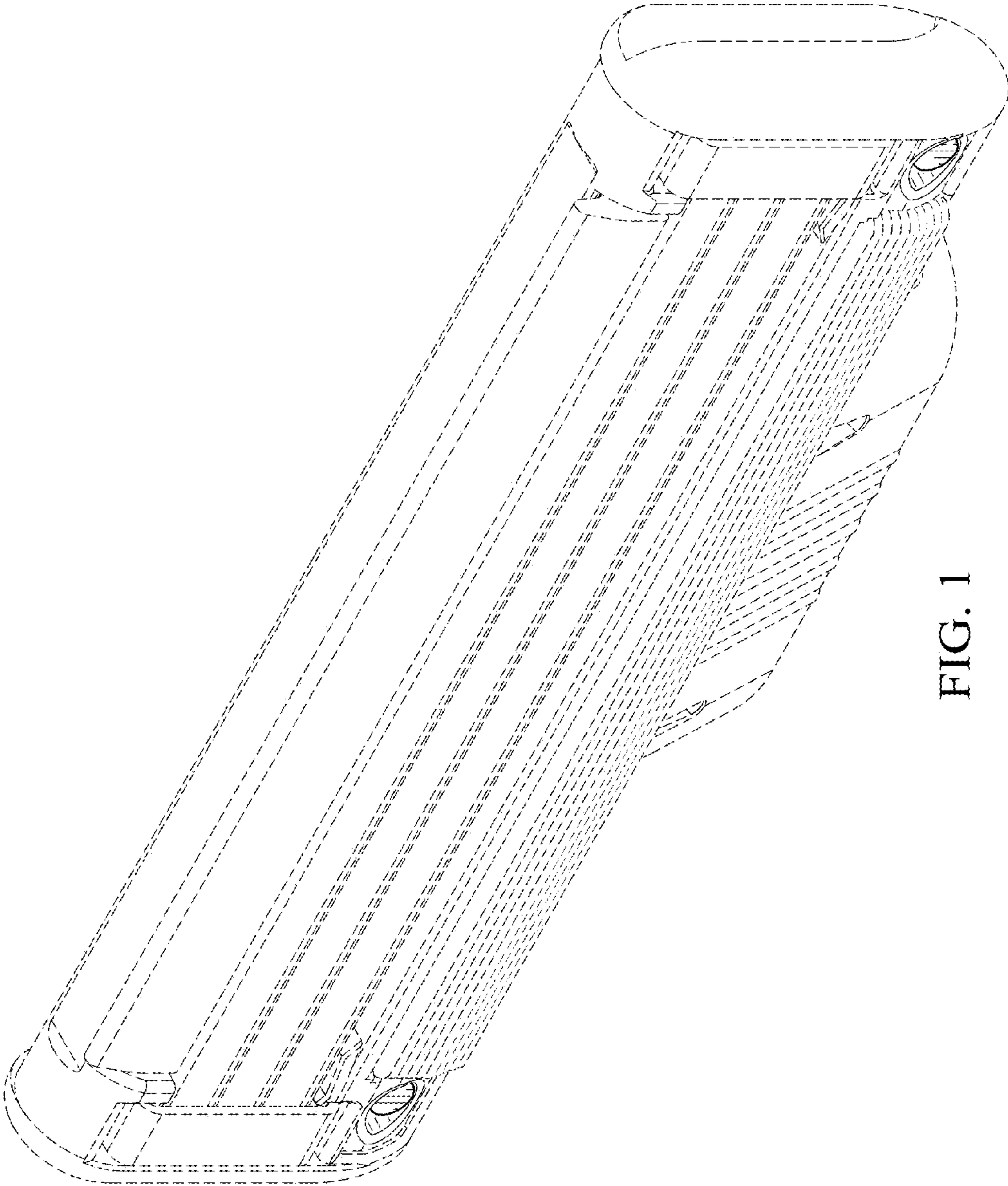


FIG. 1

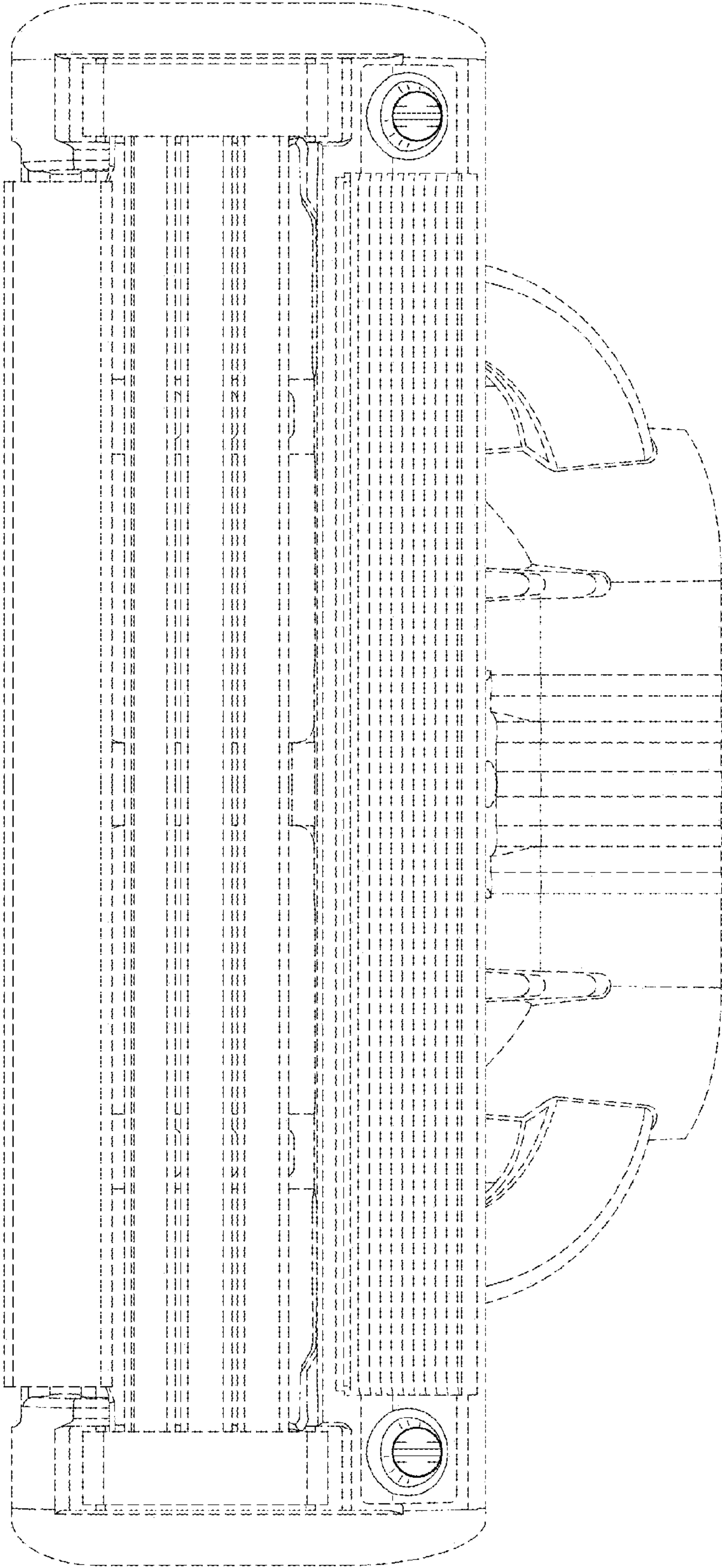


FIG. 2

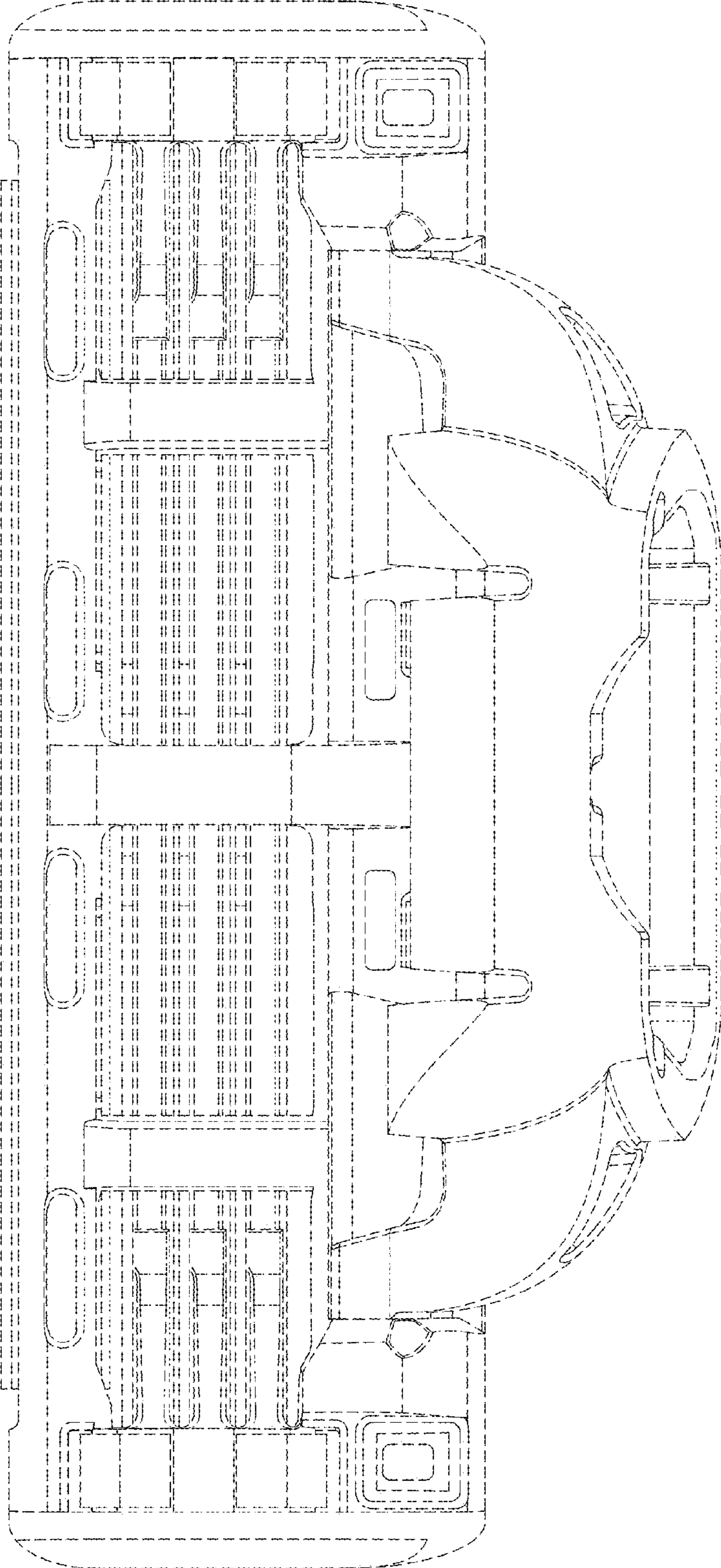


FIG. 3

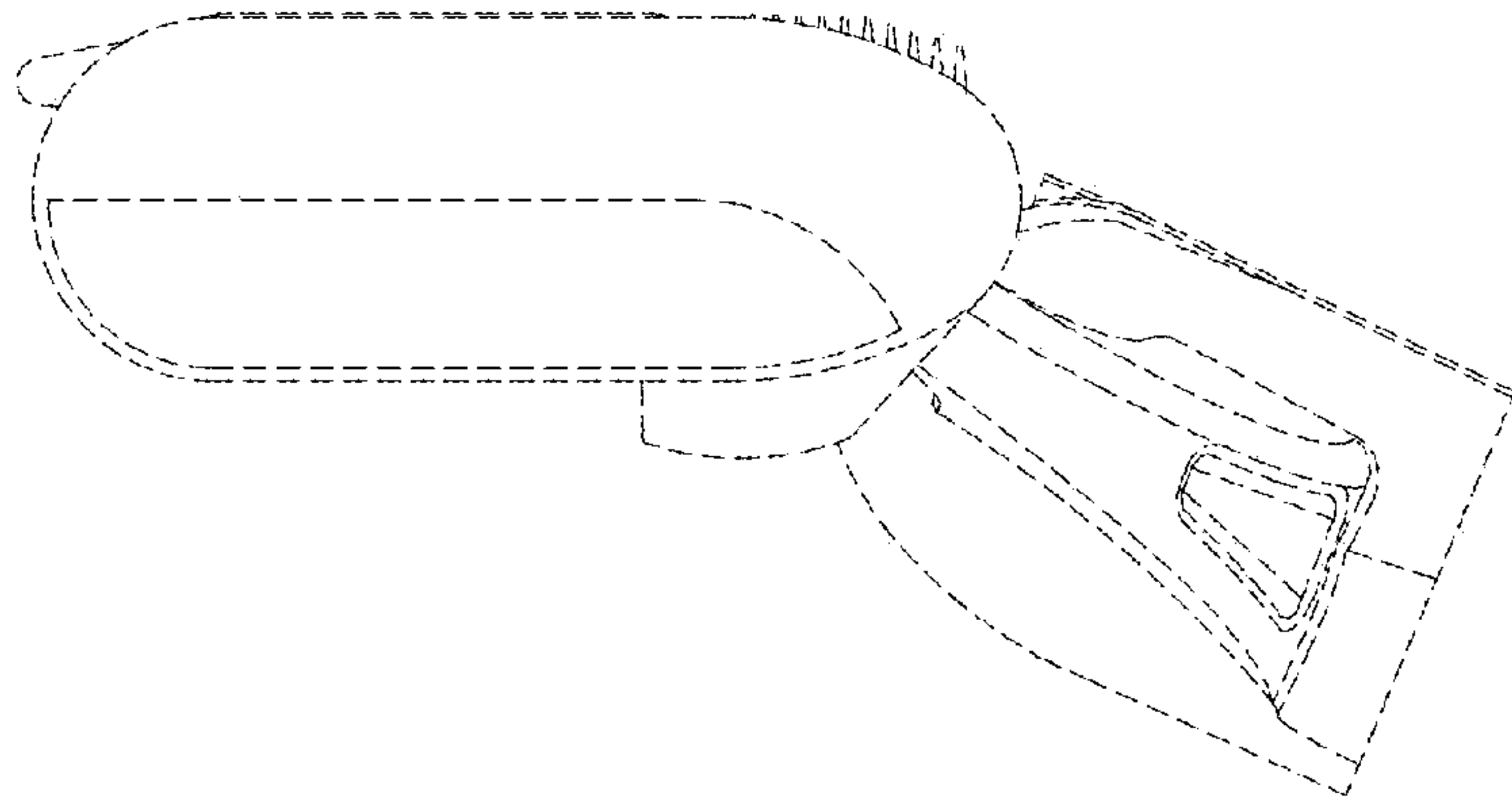


FIG. 5

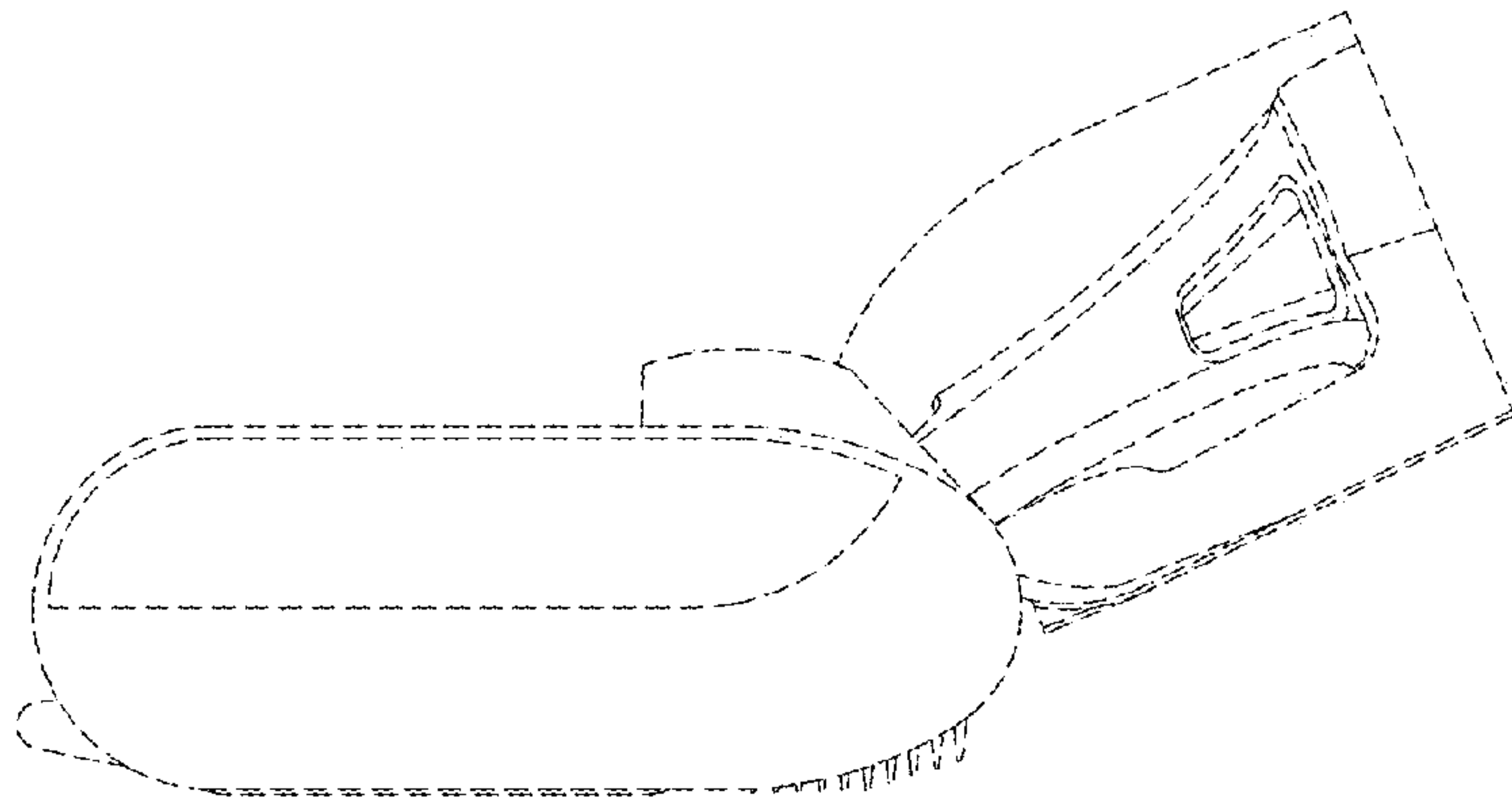


FIG. 4

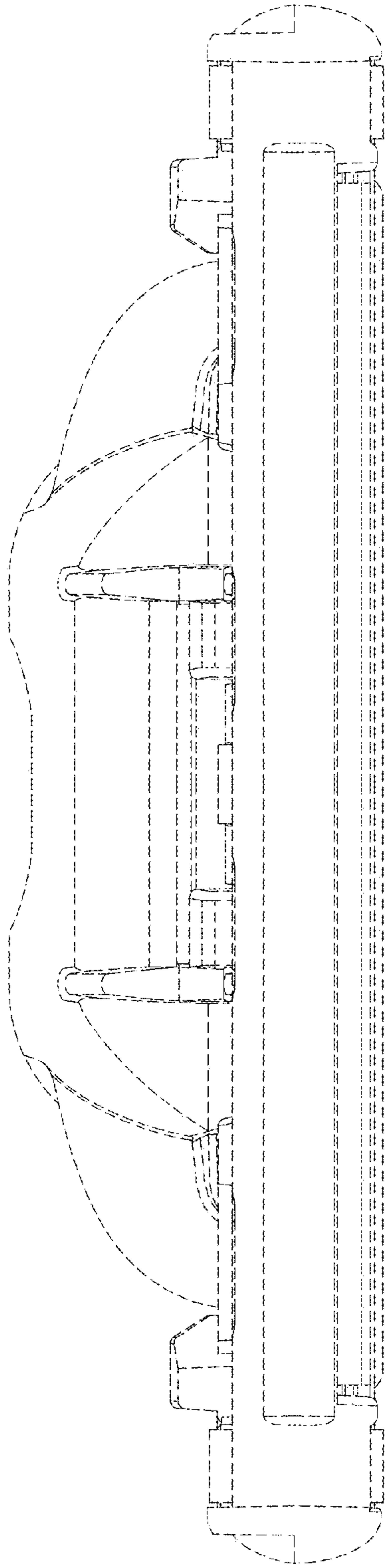


FIG. 6

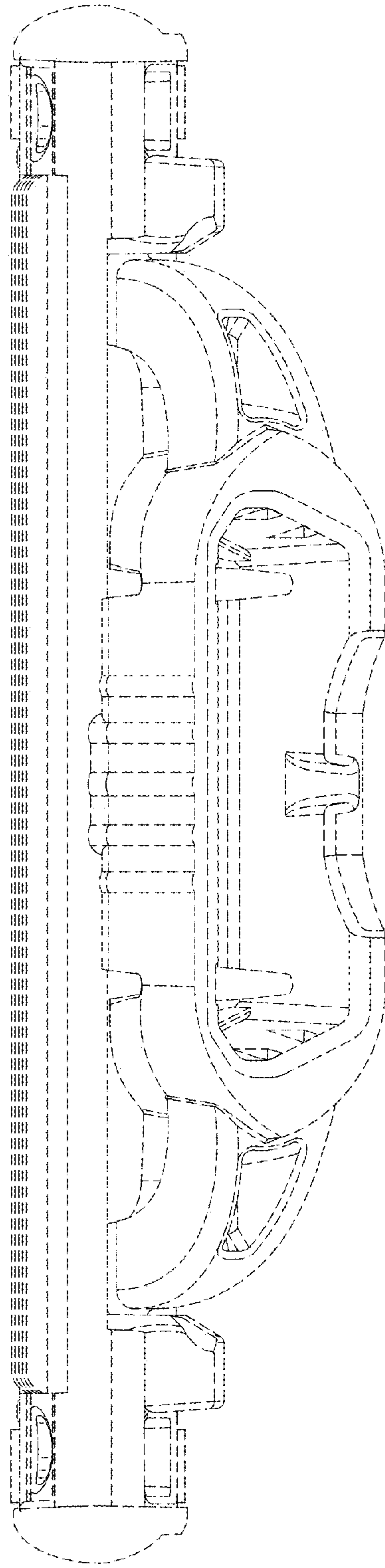


FIG. 7

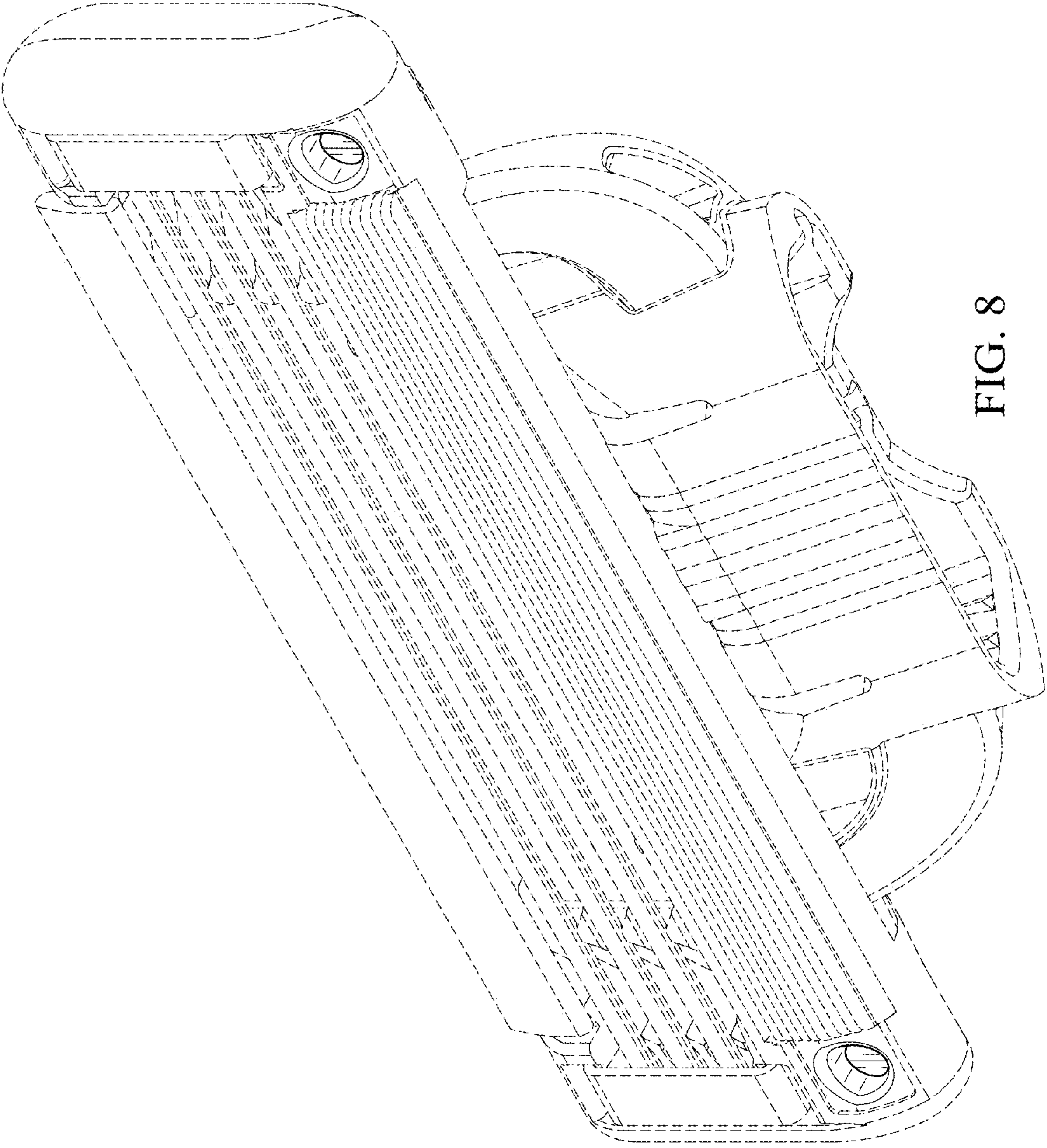


FIG. 8