



US00D766505S

(12) **United States Design Patent**  
**Coviello**

(10) **Patent No.:** **US D766,505 S**

(45) **Date of Patent:** **\*\* Sep. 13, 2016**

(54) **SHAVING RAZOR**

(71) Applicant: **Christopher Coviello**, Yorklyn, DE (US)

(72) Inventor: **Christopher Coviello**, Yorklyn, DE (US)

(73) Assignee: **Project Razor LLC**, Newark, DE (US)

(\*\*) Term: **14 Years**

(21) Appl. No.: **29/523,630**

(22) Filed: **Apr. 13, 2015**

(51) **LOC (10) Cl.** ..... **28-03**

(52) **U.S. Cl.**  
USPC ..... **D28/46**

(58) **Field of Classification Search**  
USPC ..... D28/46-48  
CPC ..... B62B 21/00-21/12; B62B 21/14;  
B62B 21/16; B62B 21/18; B62B  
21/20-21/227; B62B 21/4062; B62B  
21/4068; B62B 21/4075; B62B  
21/52-21/528; B62B 21/4012-21/4025;  
B62B 21/4081; B62B 21/4093  
See application file for complete search history.

(56) **References Cited**

**U.S. PATENT DOCUMENTS**

4,461,078	A	7/1984	Carreker	
5,167,069	A	12/1992	Quinn	
6,018,877	A	2/2000	Greene	
6,189,222	B1 *	2/2001	Doyle	B26B 21/523 15/144.1
7,093,363	B1	8/2006	Kuo	
7,103,980	B2	9/2006	Leventhal	
7,140,115	B2	11/2006	Greene	
7,200,942	B2	4/2007	Richard	
D605,362	S *	12/2009	Andersen	D28/48
D611,653	S *	3/2010	Marut	D28/46
D623,800	S *	9/2010	Clemons	D28/46
7,856,725	B2	12/2010	Marut	
D659,904	S *	5/2012	Gilbert	D28/48
D664,297	S *	7/2012	Prat-Pfister	D28/48

(Continued)

*Primary Examiner* — Jennifer Rivard

(74) *Attorney, Agent, or Firm* — Panitch Schwarze Belisario & Nadel LLP

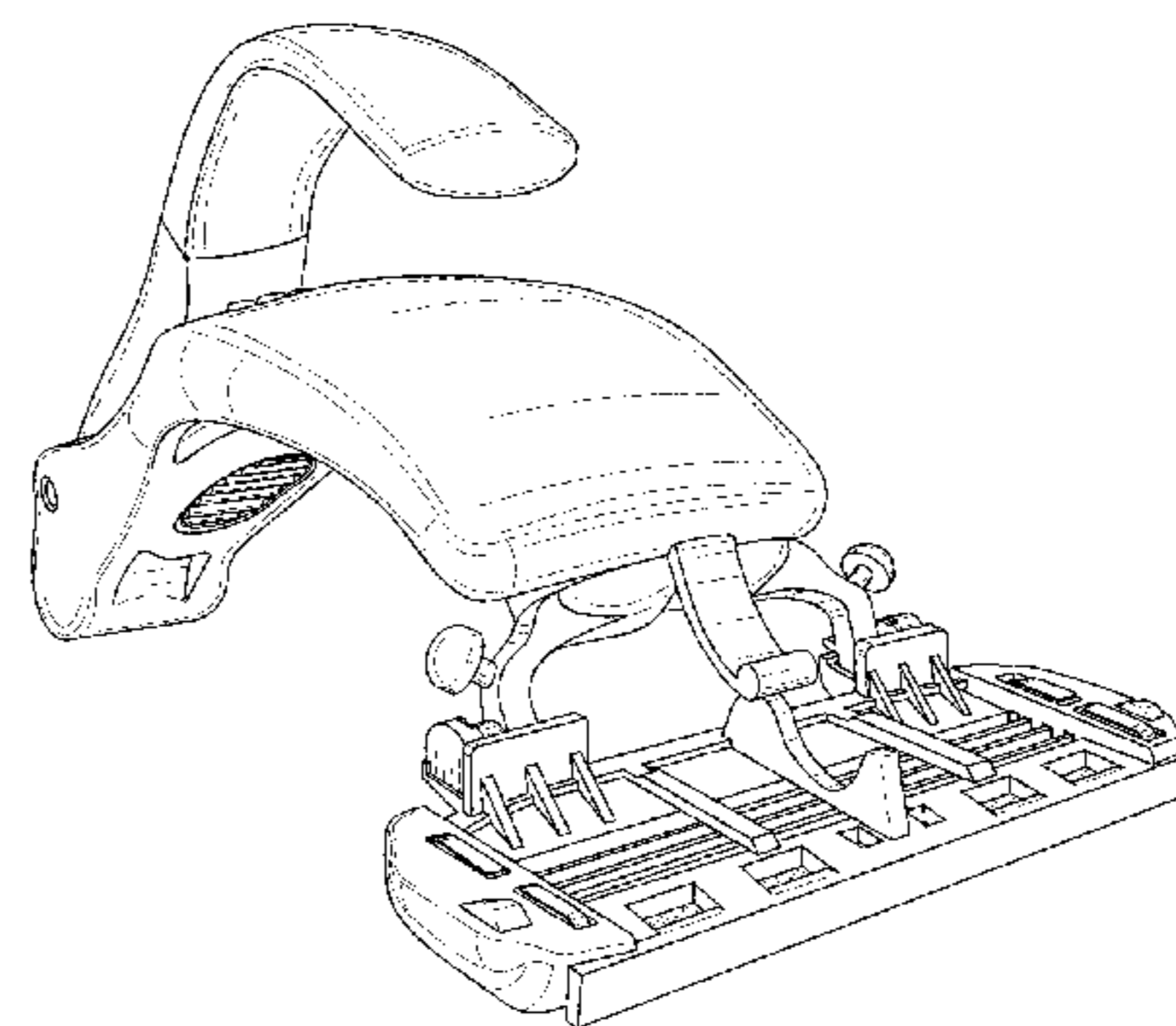
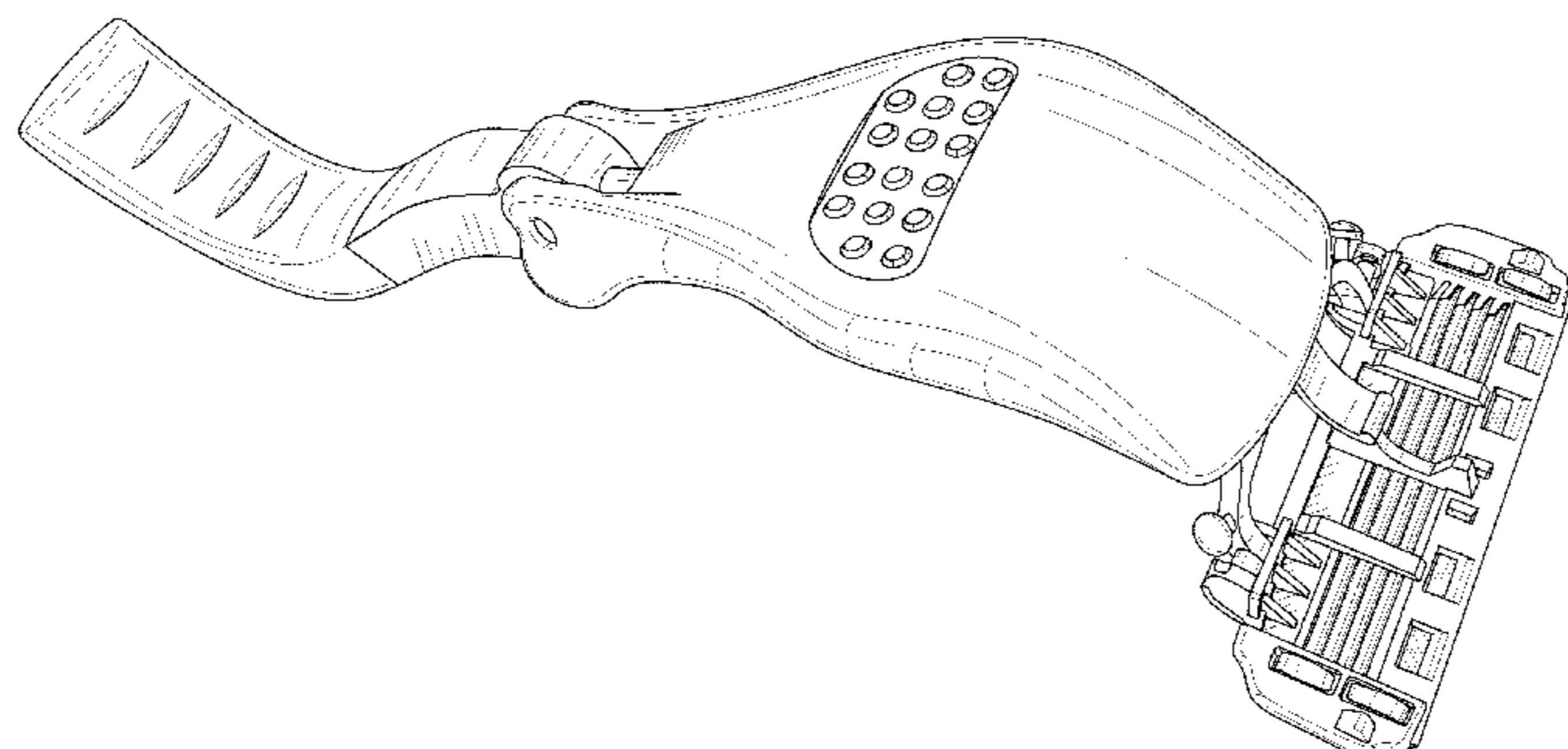
(57) **CLAIM**

The ornamental design for a shaving razor, as shown and described.

**DESCRIPTION**

FIG. 1 is a left front perspective view of a shaving razor in a face shaving configuration;  
 FIG. 2 is a right bottom perspective view of the shaving razor of FIG. 1;  
 FIG. 3 is a top plan view of the shaving razor of FIG. 1;  
 FIG. 4 is a left side elevational view of the shaving razor of FIG. 1;  
 FIG. 5 is a right side elevational view of the shaving razor of FIG. 1;  
 FIG. 6 is a bottom plan view of the shaving razor of FIG. 1;  
 FIG. 7 is a front elevational view of the shaving razor of FIG. 1;  
 FIG. 8 is a rear elevational view of the shaving razor of FIG. 1;  
 FIG. 9 is a left front perspective view of the shaving razor in a head shaving configuration;  
 FIG. 10 is a left bottom perspective view of the shaving razor of FIG. 9;  
 FIG. 11 is a top plan view of the shaving razor of FIG. 9;  
 FIG. 12 is a left side elevational view of the shaving razor of FIG. 9;  
 FIG. 13 is a right side elevational view of the shaving razor of FIG. 9;  
 FIG. 14 is a bottom plan view of the shaving razor of FIG. 9;  
 FIG. 15 is a front elevational view of the shaving razor of FIG. 9; and,  
 FIG. 16 is a rear elevational view of the shaving razor of FIG. 9.

**1 Claim, 12 Drawing Sheets**



(56)

**References Cited**

U.S. PATENT DOCUMENTS

D676,197 S \* 2/2013 Boulanger ..... D28/48  
D678,610 S \* 3/2013 Prat-Pfister ..... D28/48  
9,308,658 B2 \* 4/2016 Coviello ..... B26B 21/4081  
2002/0050065 A1 5/2002 Kludjian et al.  
2003/0177648 A1 9/2003 Zeiter  
2004/0107585 A1 6/2004 Helmrich  
2004/0139615 A1 7/2004 Gianatasio

2011/0308089 A1 12/2011 Bridges  
2012/0145730 A1 6/2012 Bloom  
2012/0291295 A1 11/2012 Braun  
2016/0031102 A1\* 2/2016 Sacks ..... B26B 21/523  
16/427  
2016/0046029 A1\* 2/2016 Samuels ..... B26B 21/521  
30/531  
2016/0107324 A1\* 4/2016 Robertson ..... B26B 21/521  
30/53

\* cited by examiner

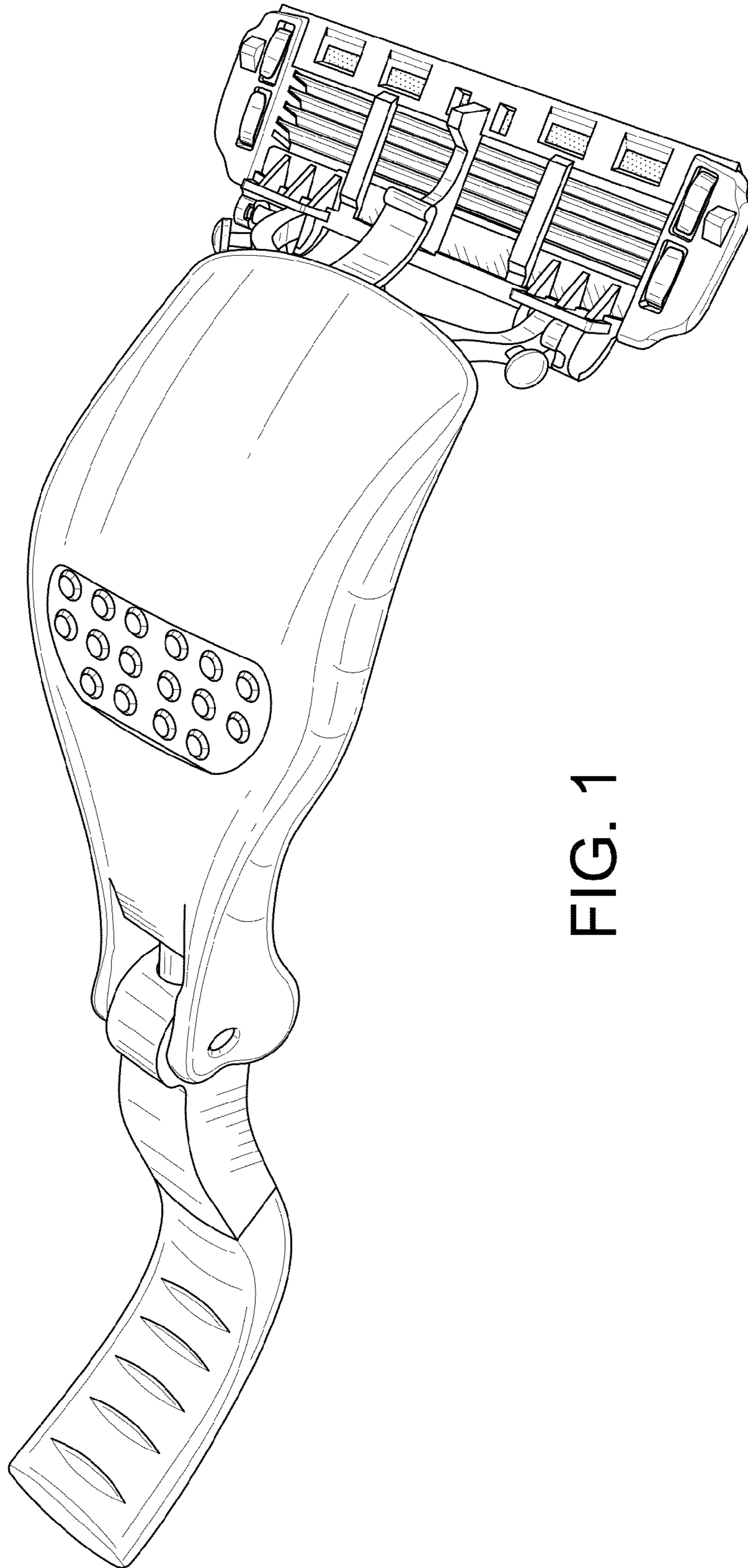


FIG. 1



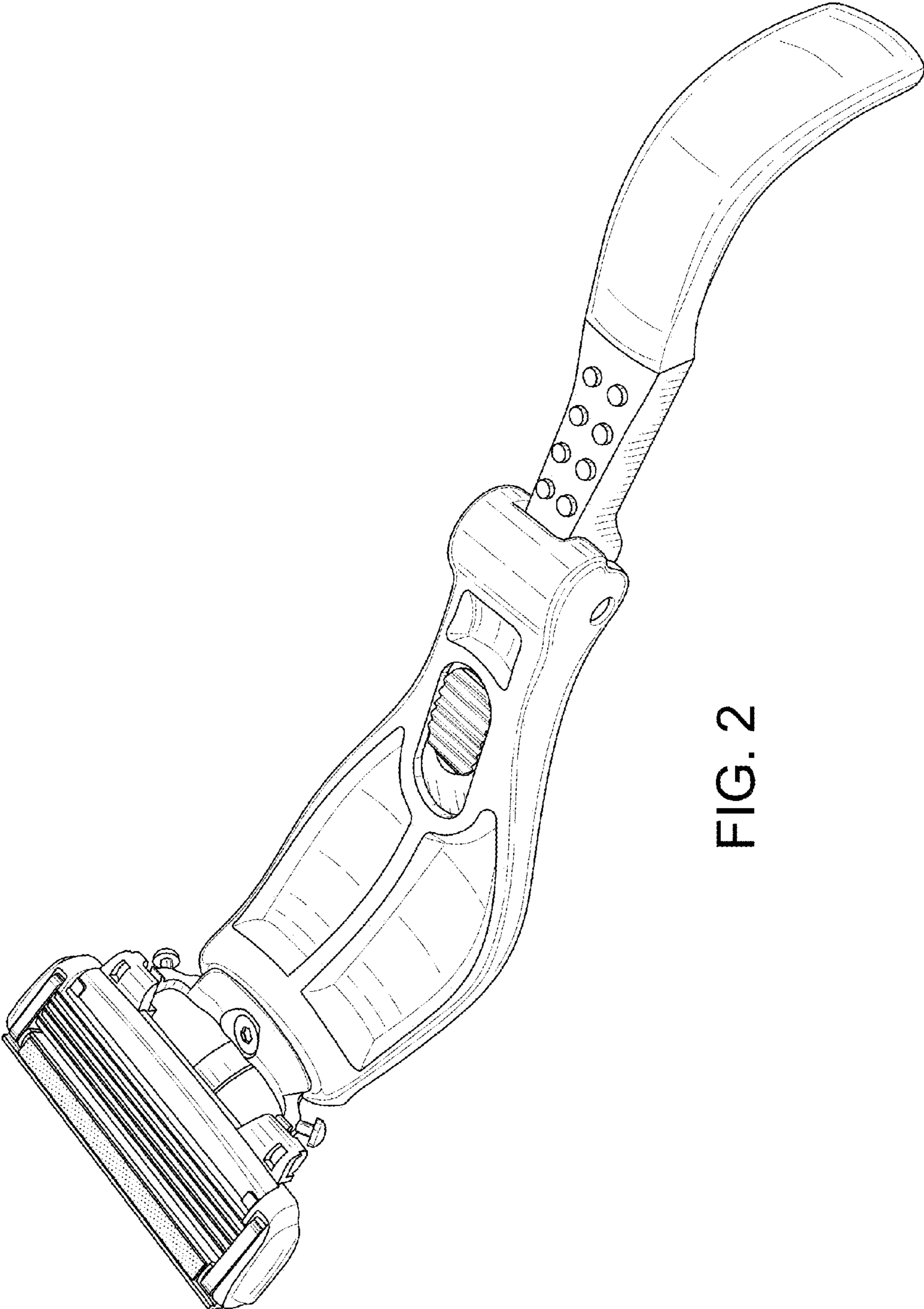


FIG. 2

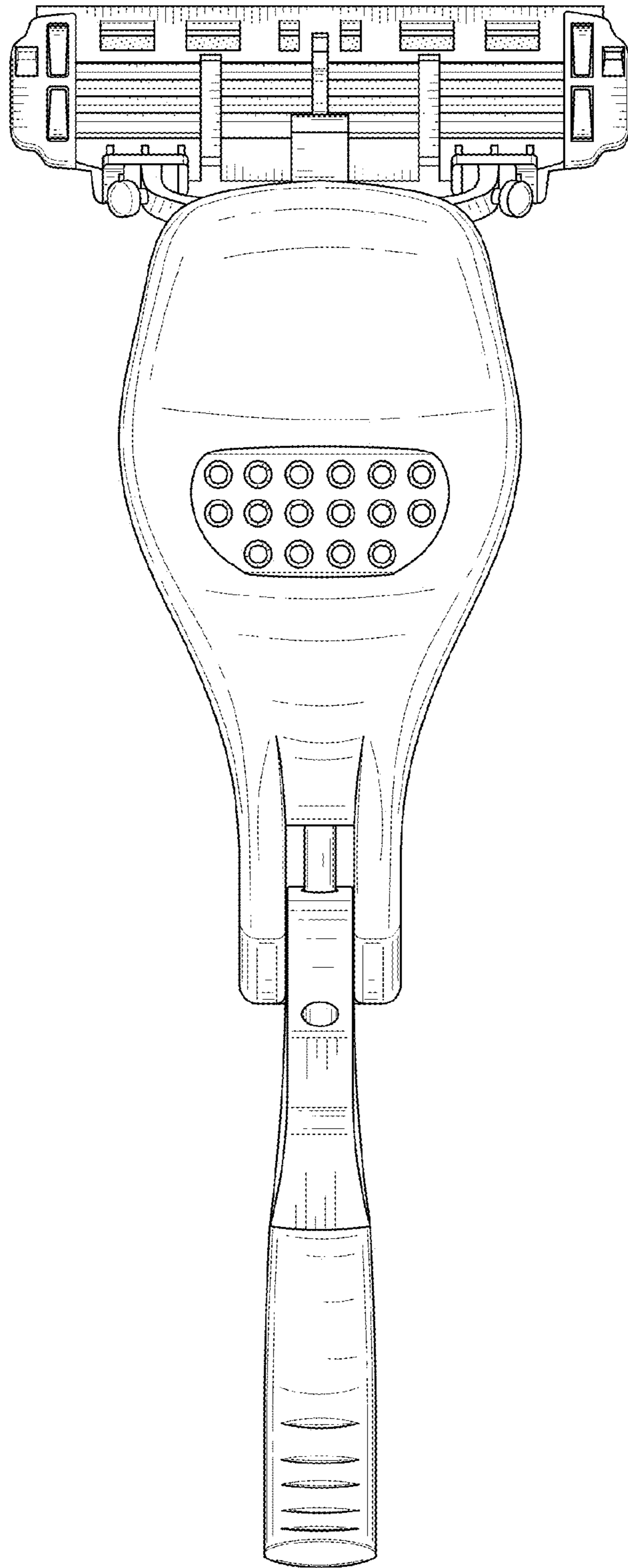


FIG. 3

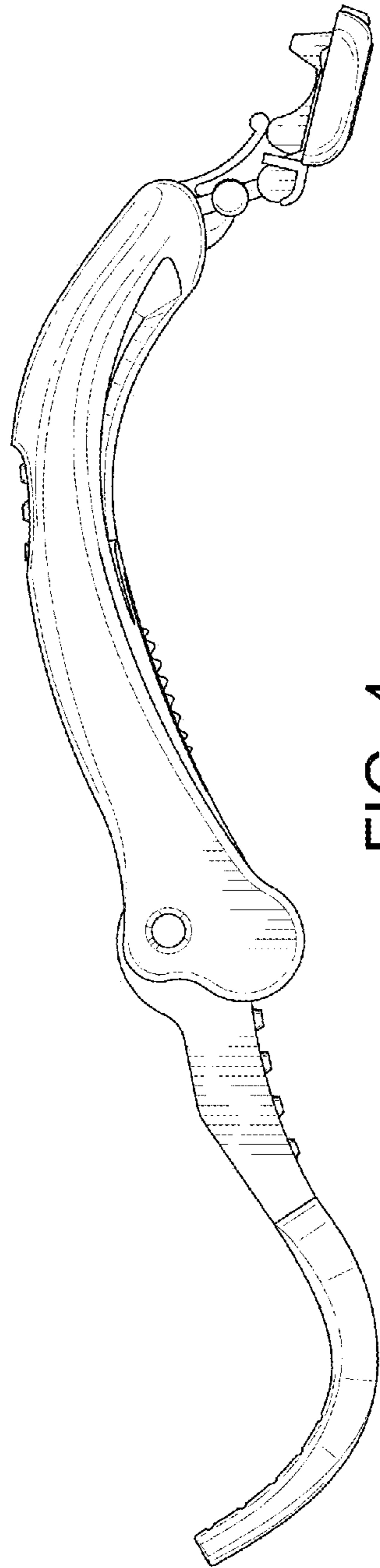


FIG. 4

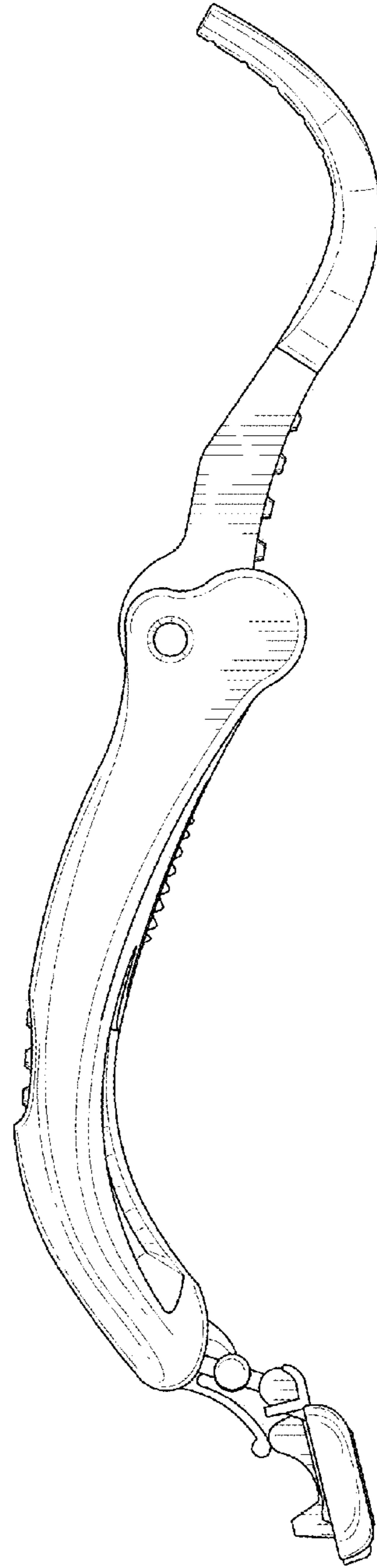


FIG. 5

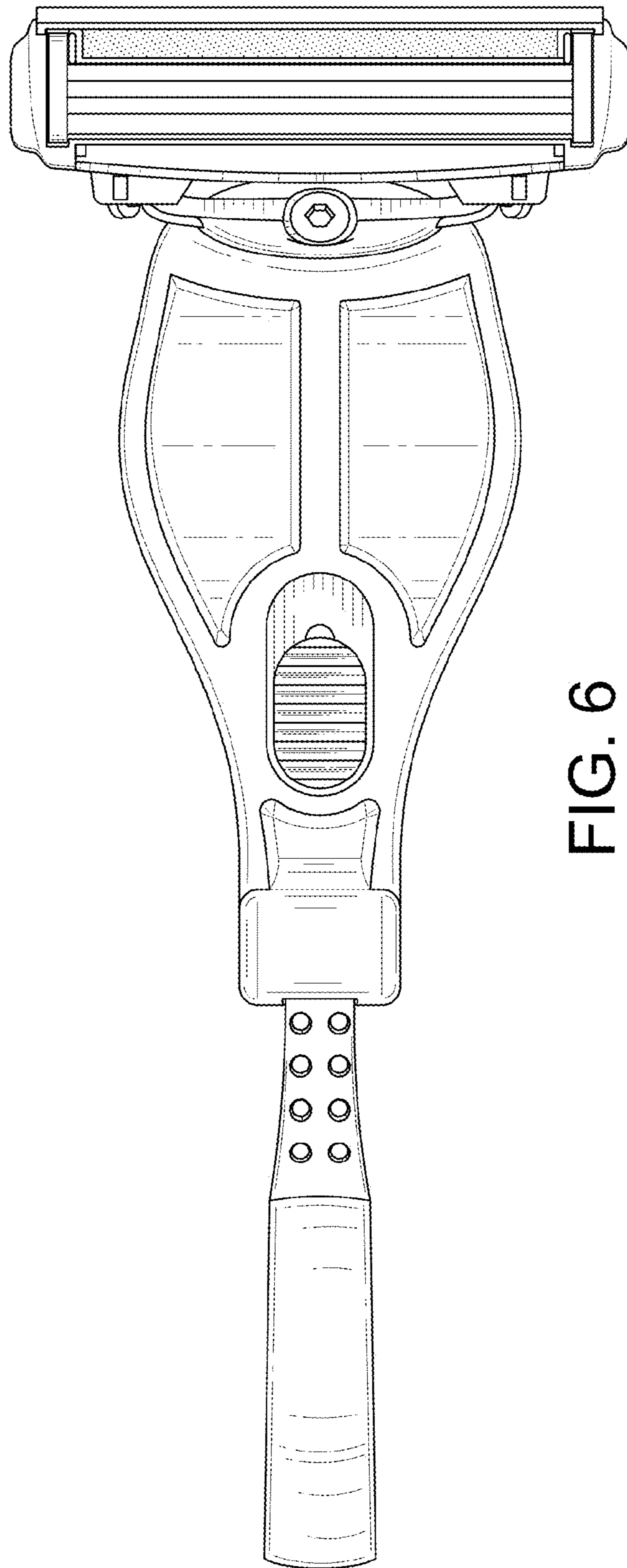


FIG. 6

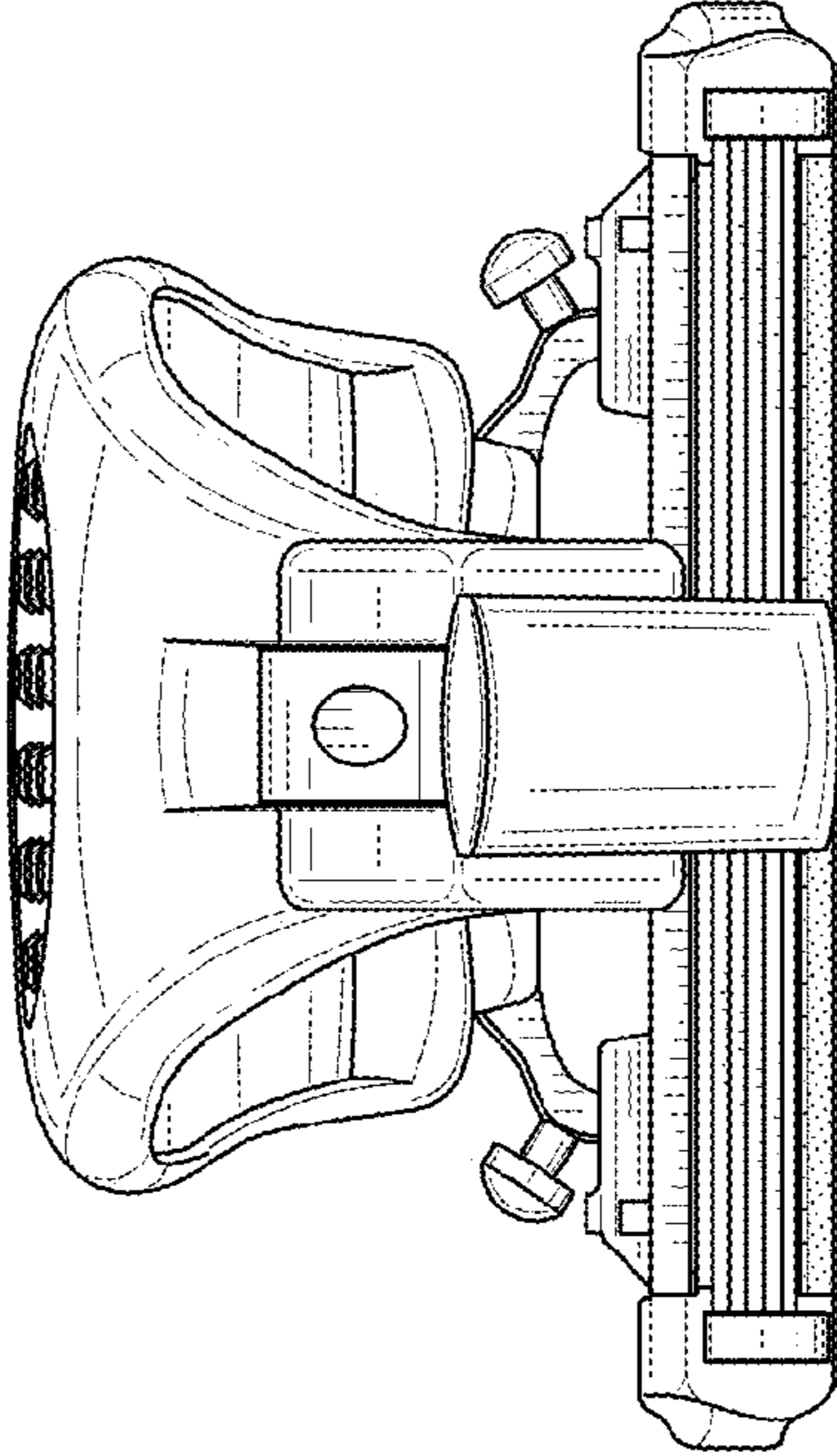


FIG. 8

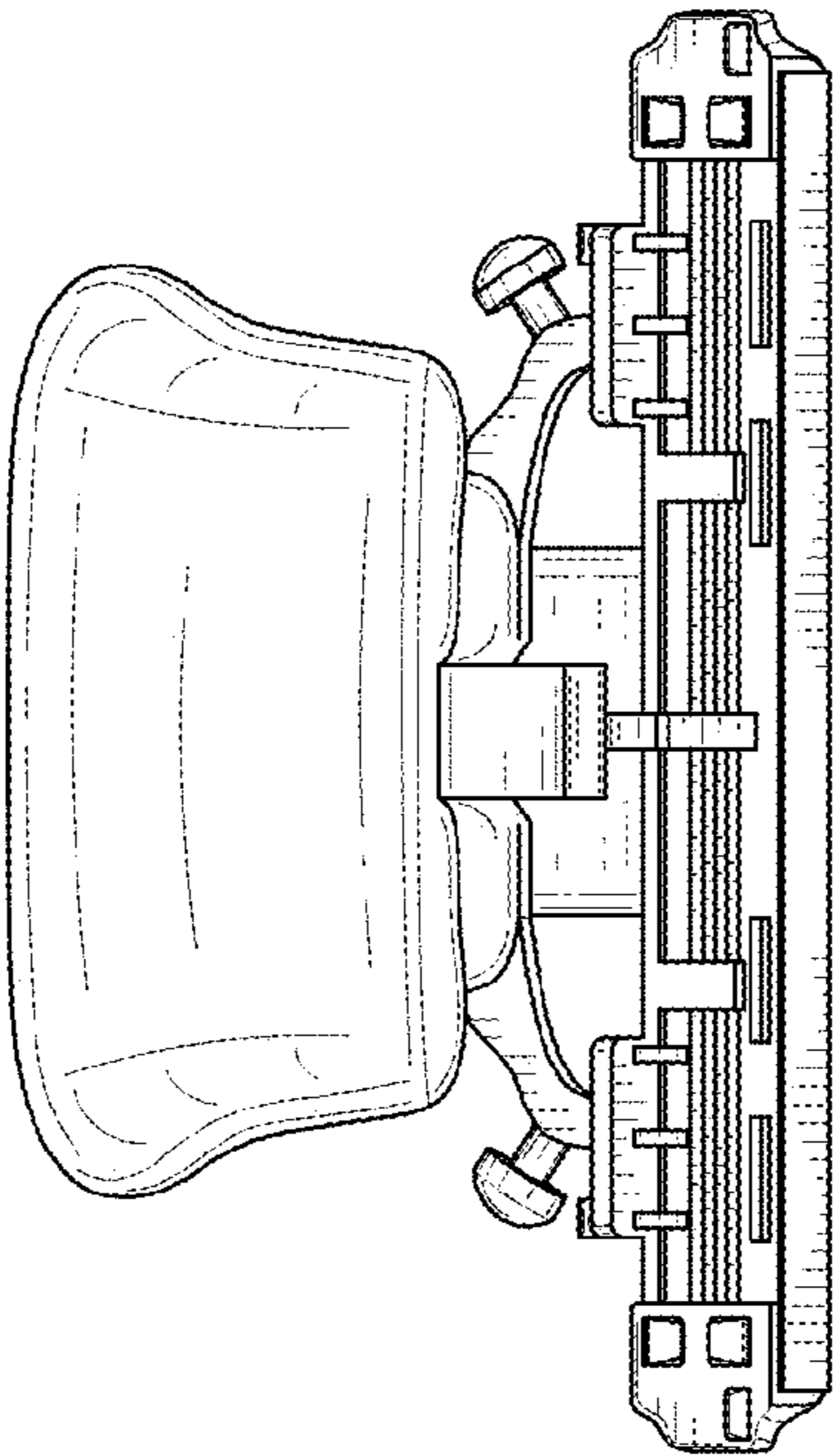


FIG. 7



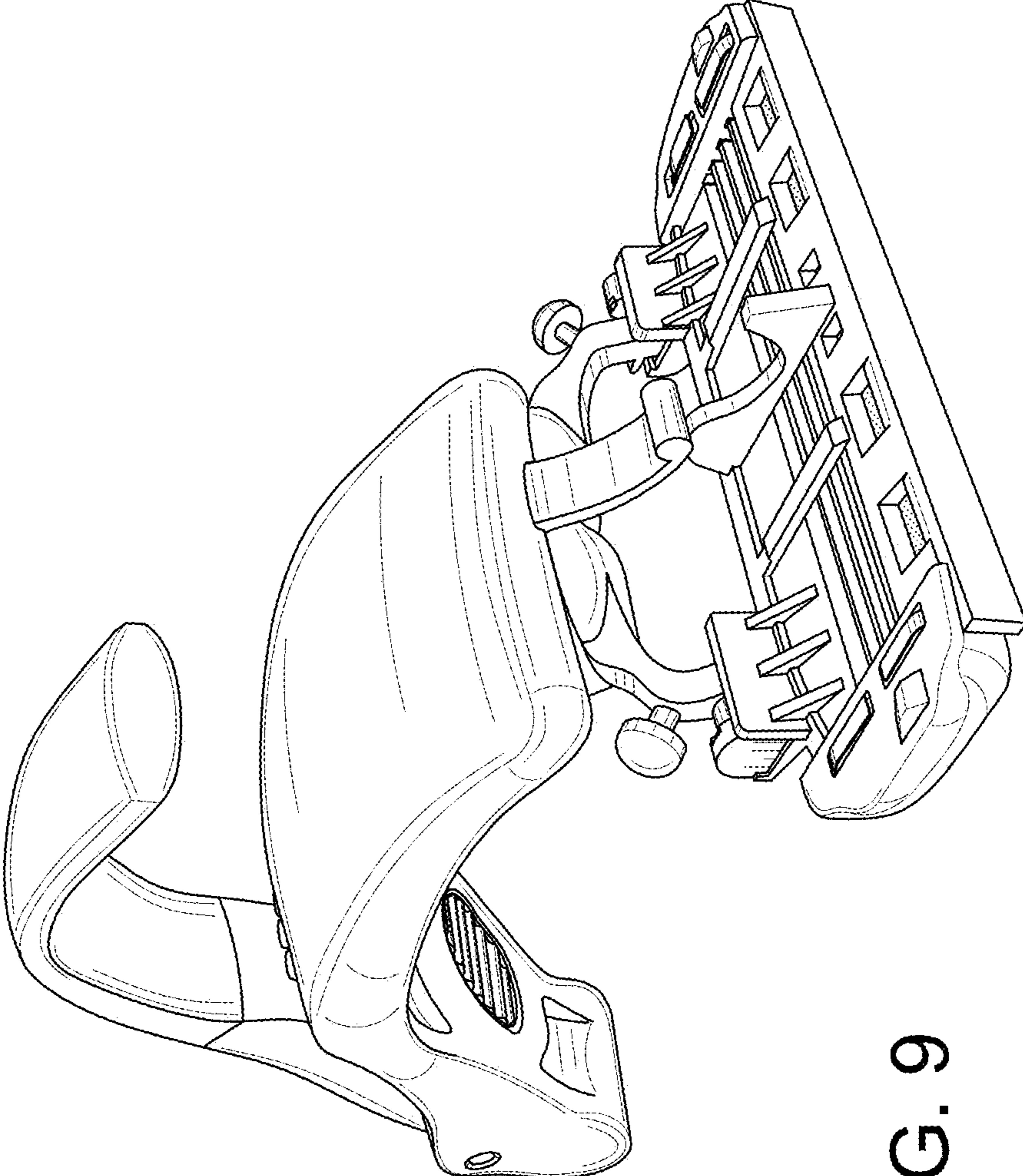


FIG. 9

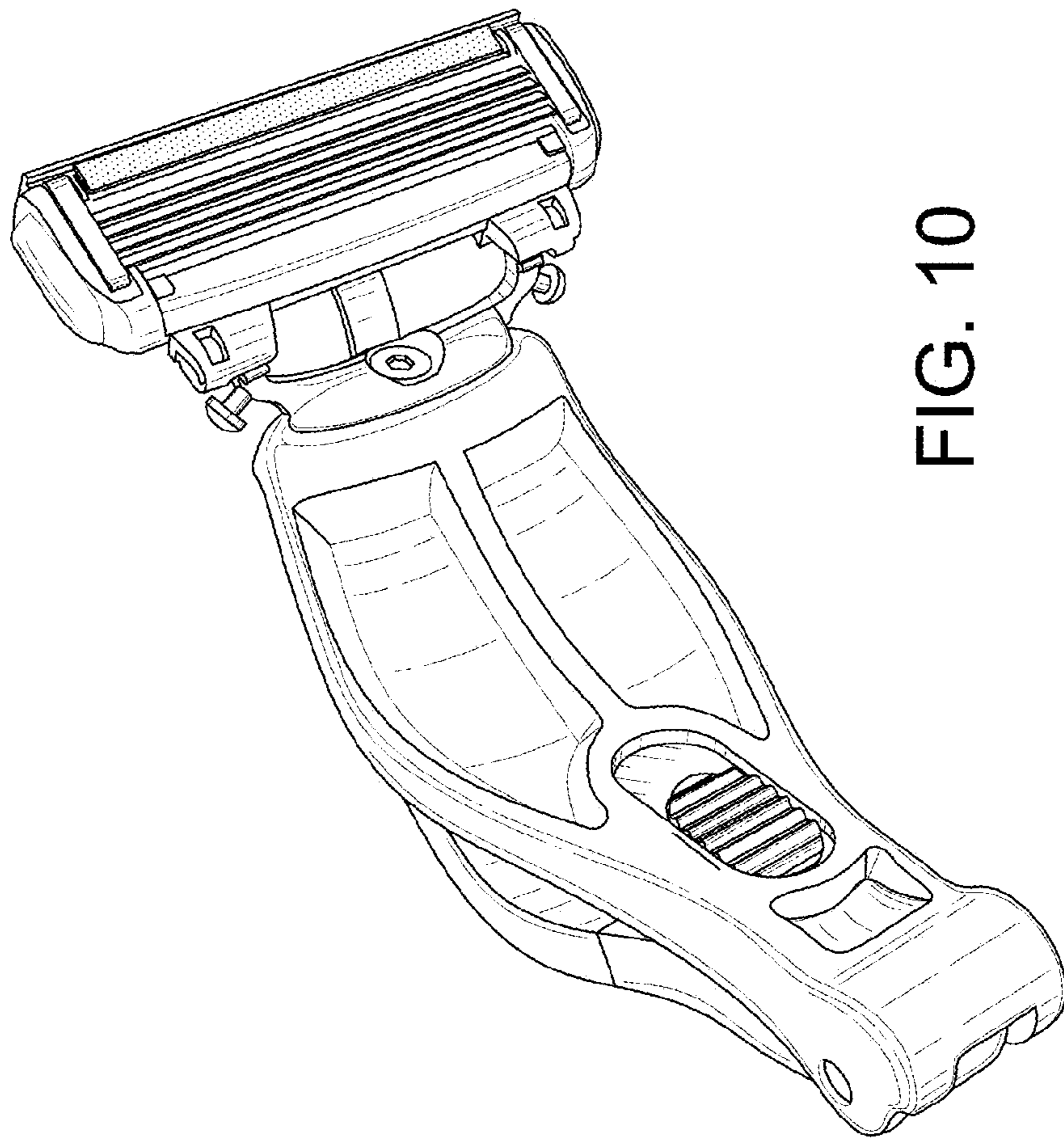


FIG. 10

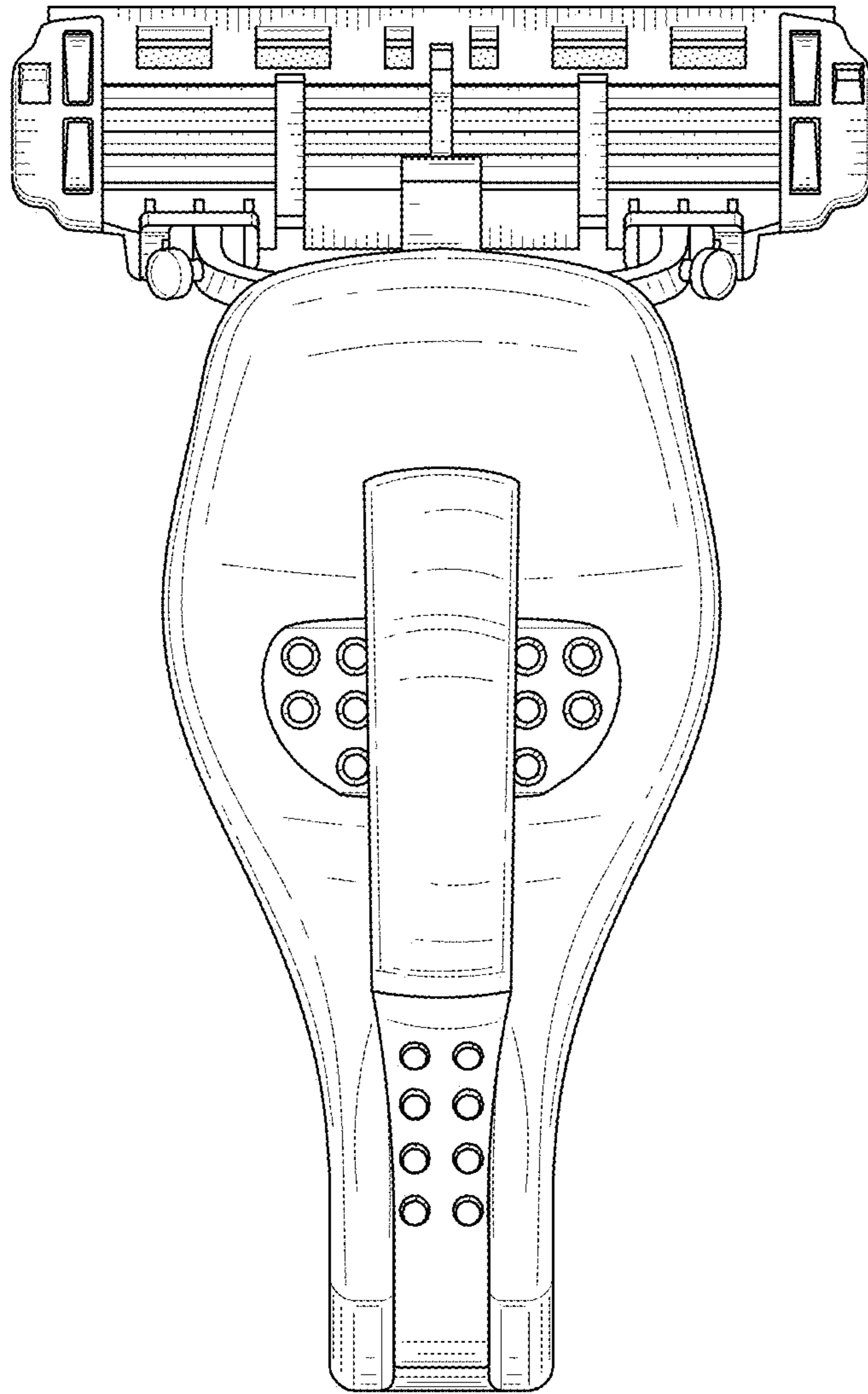
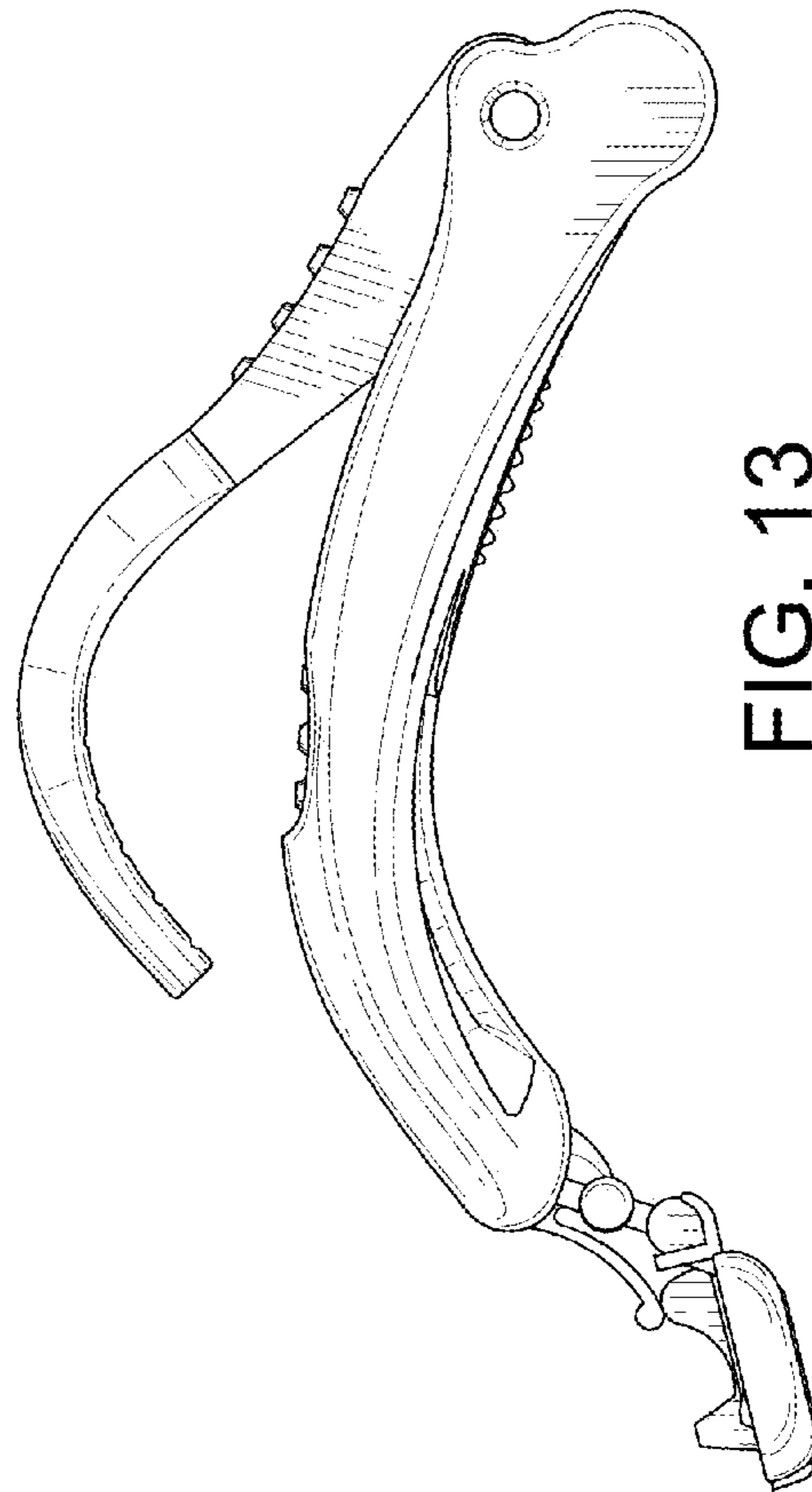
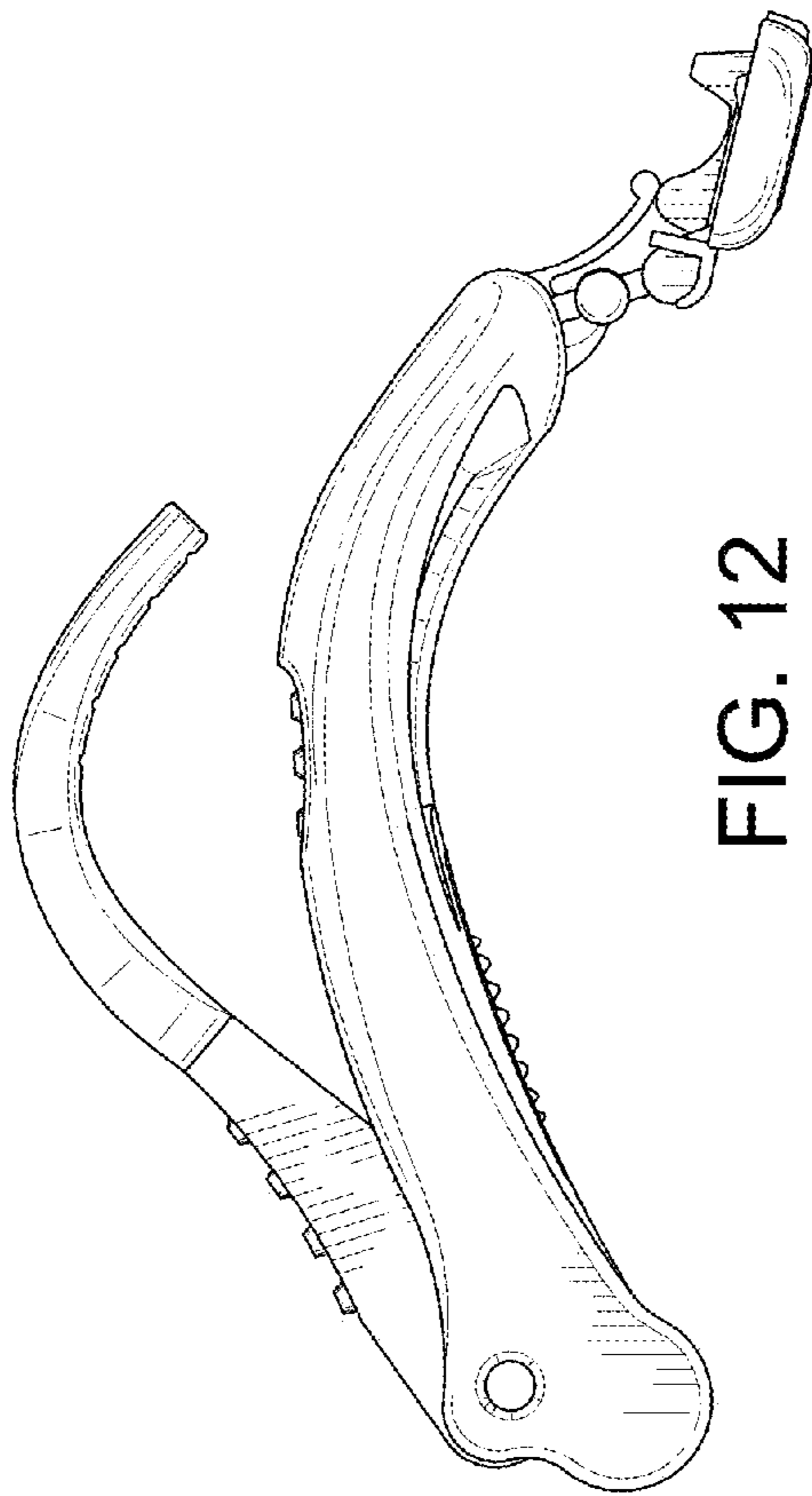


FIG. 11





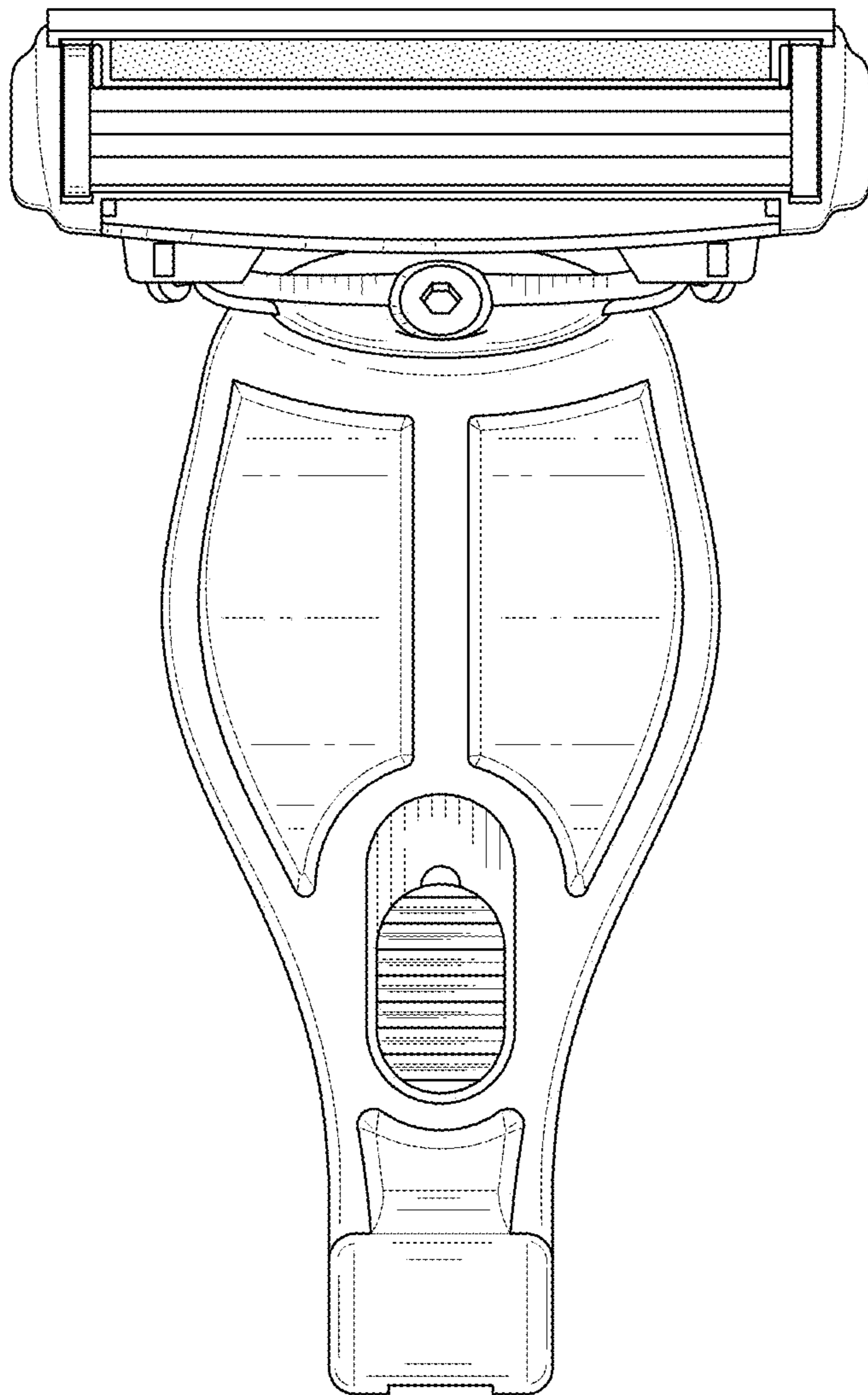


FIG. 14

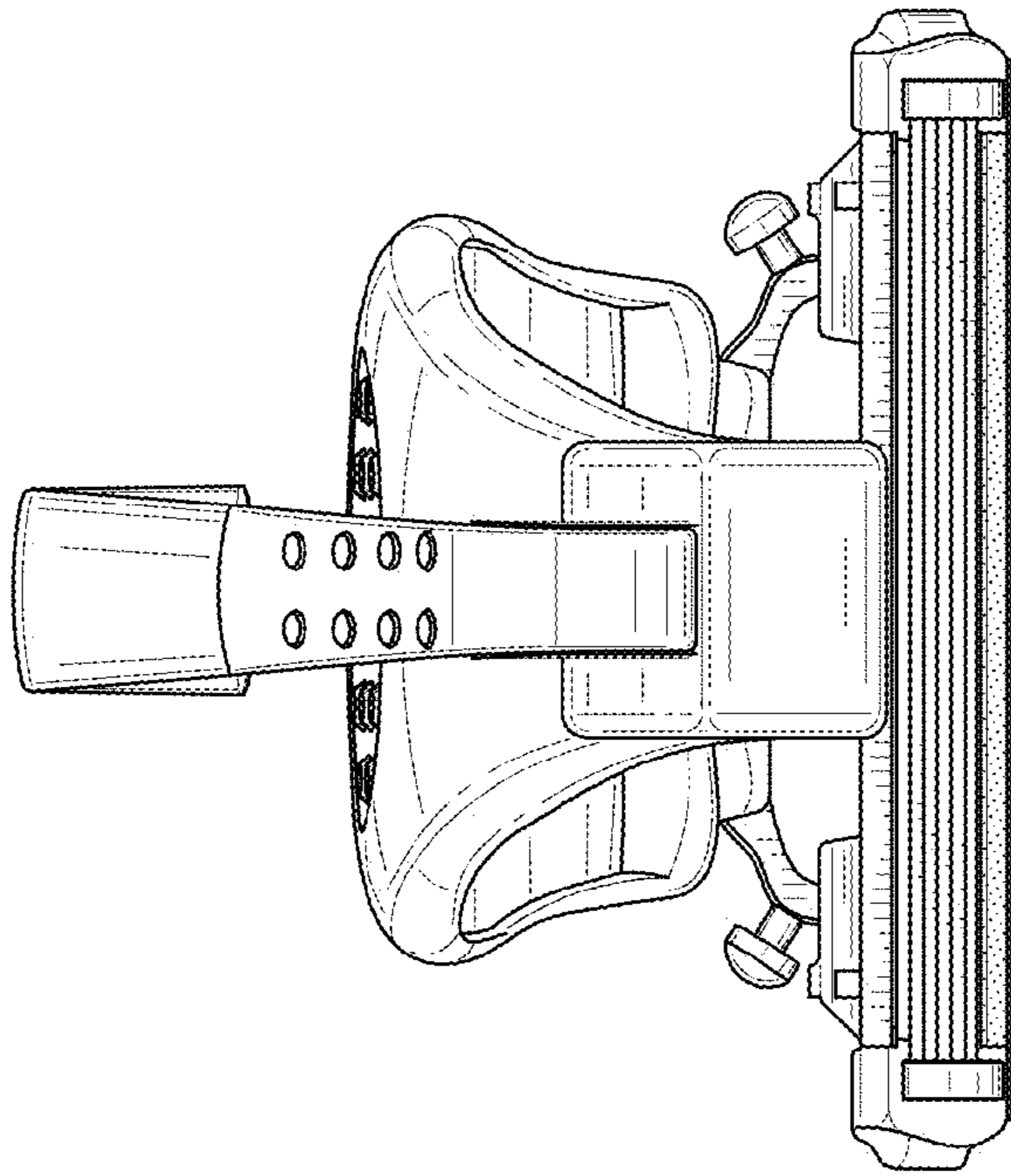


FIG. 16

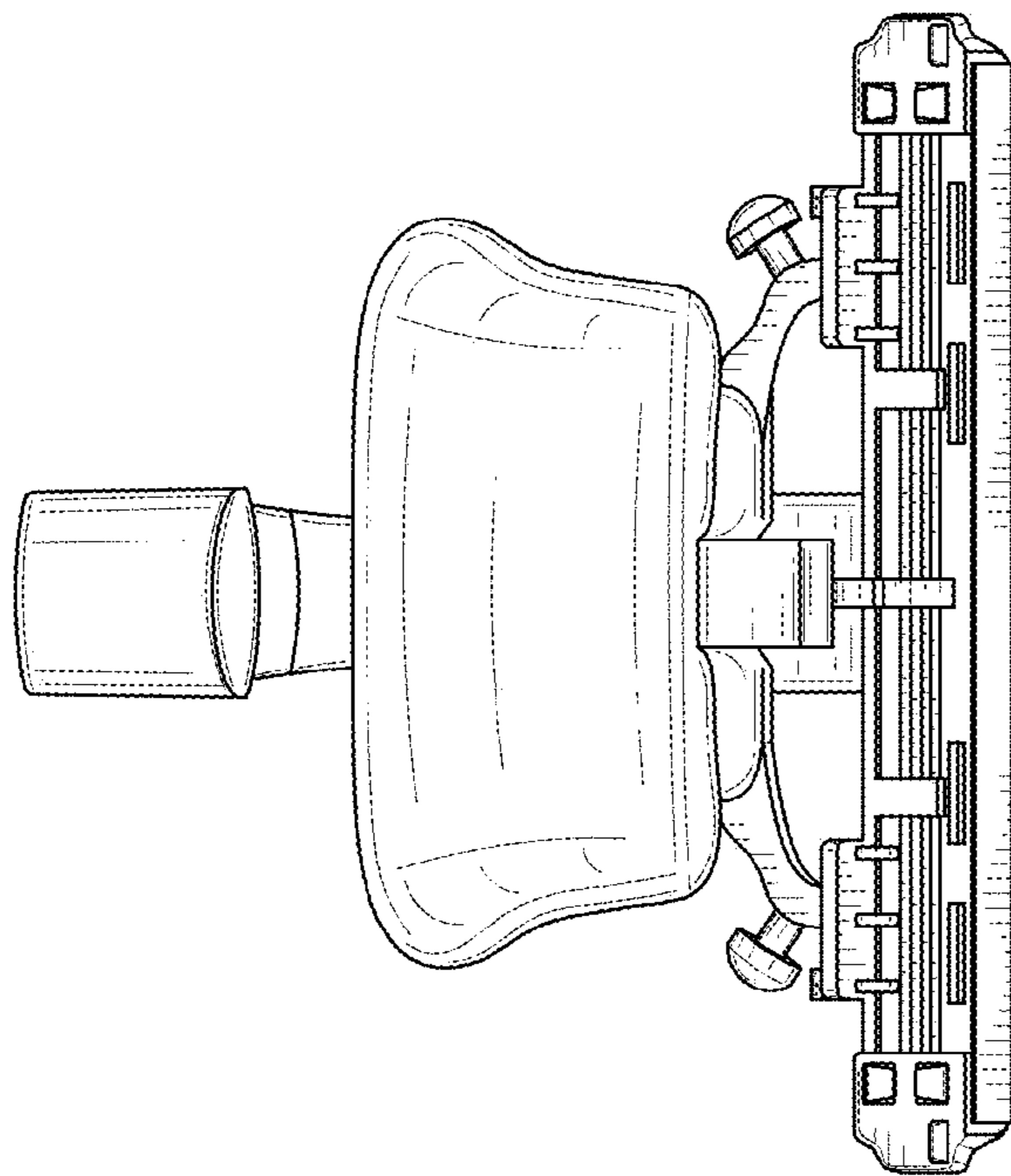


FIG. 15