

US00D766504S

(12) **United States Design Patent** (10) **Patent No.:** **US D766,504 S**  
**Hollinger** (45) **Date of Patent:** **\*\* Sep. 13, 2016**

(54) **DOUBLE BLADE HAIR STRAIGHTENER**

(71) Applicant: **E. MISHAN & SONS, INC.**, New York, NY (US)

(72) Inventor: **Fred Hollinger**, Monroe Township, NJ (US)

(73) Assignee: **E. Mishan & Sons, Inc.**, New York, NY (US)

(\*\*) Term: **15 Years**

(21) Appl. No.: **29/559,245**

(22) Filed: **Mar. 25, 2016**

(51) **LOC (10) Cl.** ..... **28-03**

(52) **U.S. Cl.**  
USPC ..... **D28/35**; D28/24; D28/15

(58) **Field of Classification Search**  
USPC ..... D28/10, 13, 15, 18, 24, 25, 26, 28, 35  
CPC ..... A45D 24/10; A45D 1/00-1/28; A45D 20/48-20/525; A45D 20/10; A45D 2/00; A45D 2/001; A45D 2/002; A45D 2/02; A45D 2/04; A45D 2/06; A45D 2/08; A45D 2/10; A45D 2/12-2/22; A45D 2/24-2/34; A45D 2/36-2/367; A45D 2/38-2/44  
See application file for complete search history.

(56) **References Cited**

**U.S. PATENT DOCUMENTS**

760,906	A	5/1904	Mott
1,197,264	A	9/1916	Cobb
1,323,136	A	11/1919	West
1,349,425	A	8/1920	Howard et al.
1,356,273	A	10/1920	Eccleston
1,362,460	A	12/1920	Altwein
1,400,468	A	12/1921	Warner
1,431,241	A	10/1922	Lee
1,523,461	A	1/1925	Swan
1,536,669	A	5/1925	Grant
1,574,704	A	2/1926	Seabrook, Jr

1,606,734	A	11/1926	Lewis
1,937,004	A	11/1933	Anderson
2,457,621	A	12/1948	Aeres
2,598,330	A	5/1952	Wilson
2,600,472	A	6/1952	Brock
3,065,759	A	11/1962	Lewis
D205,821	S	9/1966	Lattimer et al.
D228,696	S	* 10/1973	Bluestein ..... D28/13
3,927,684	A	12/1975	Lam
4,032,747	A	6/1977	Kunz
4,126,143	A	* 11/1978	Schroeder ..... A45D 24/10 132/118
4,217,915	A	* 8/1980	Gress ..... A45D 20/48 132/118
4,766,291	A	8/1988	Collins
5,348,030	A	* 9/1994	Hirzel ..... A46B 7/026 132/118

(Continued)

**FOREIGN PATENT DOCUMENTS**

CN	200520129370.1	10/2005
CN	201510321623.3	8/2015

(Continued)

*Primary Examiner* — Jennifer Rivard

(74) *Attorney, Agent, or Firm* — Notaro, Michalos & Zaccaria P.C.

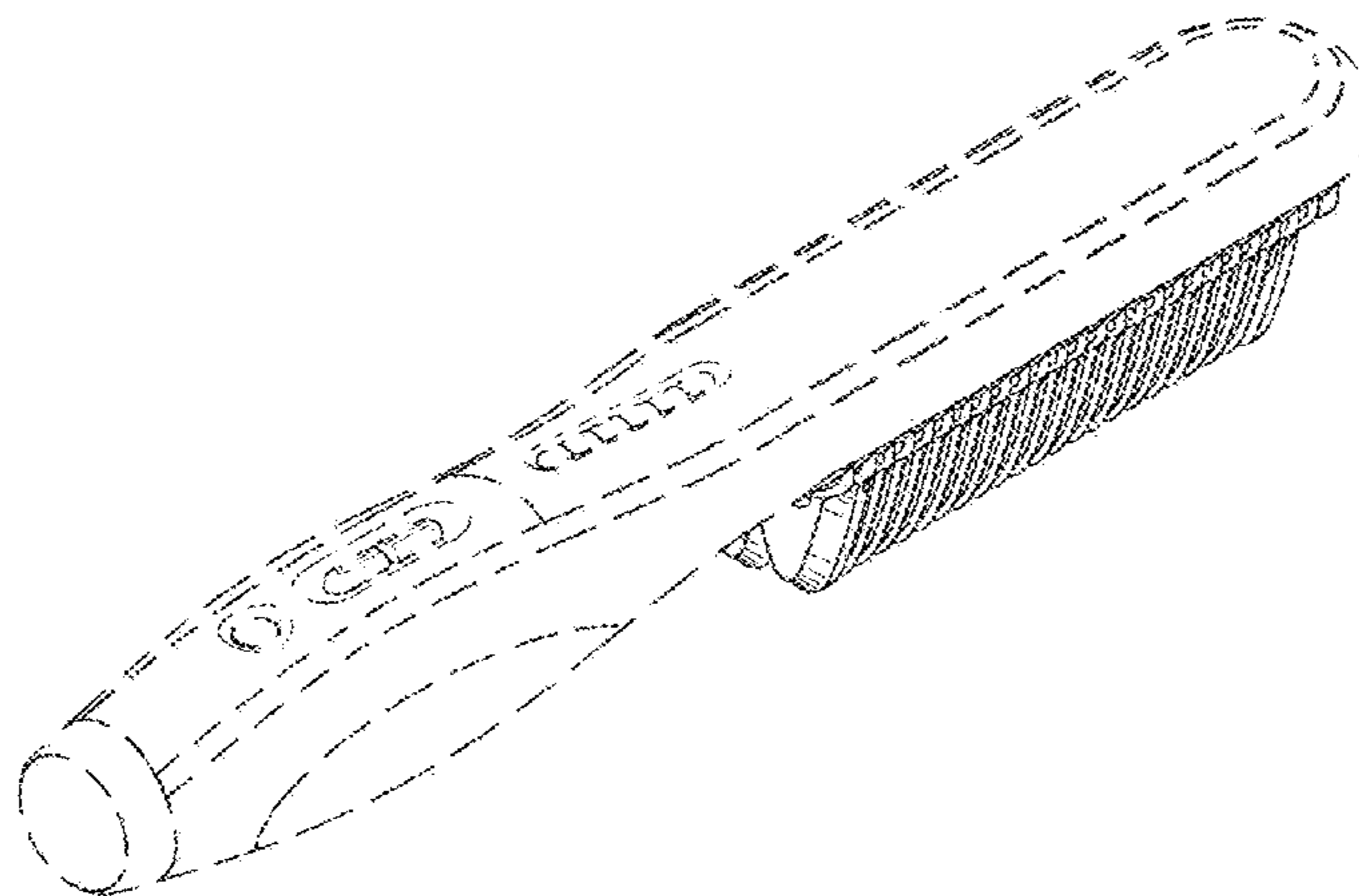
(57) **CLAIM**

The ornamental design for a double blade hair straightener, as shown and described.

**DESCRIPTION**

FIG. 1 is a perspective view taken from the top of a double blade hair straightener showing my design therefor; FIG. 2 is a top plan view thereof; FIG. 3 is a bottom plan view thereof; FIG. 4 is a side elevational view thereof; FIG. 5 is a front elevational view thereof; and, FIG. 6 is a rear elevational view thereof. The broken lines illustrate portions of the double blade hair straightener and form no part of the claimed design.

**1 Claim, 6 Drawing Sheets**



(56)

References Cited

U.S. PATENT DOCUMENTS

5,673,710 A \* 10/1997 Schaefer ..... A45D 1/18  
 132/118  
 D389,953 S 1/1998 Seifert  
 D401,382 S \* 11/1998 Seifert ..... D28/13  
 6,278,086 B1 8/2001 Janouch et al.  
 D455,905 S \* 4/2002 McCurrach ..... D28/10  
 D457,730 S \* 5/2002 McCurrach ..... D28/10  
 D474,561 S \* 5/2003 Glucksman ..... D28/25  
 D495,447 S \* 8/2004 Wan ..... D28/24  
 D570,045 S \* 5/2008 Julemont ..... D28/35  
 7,389,779 B2 6/2008 Chan  
 7,490,615 B2 \* 2/2009 Rizzuto ..... A45D 2/002  
 132/129  
 D604,011 S \* 11/2009 Leung ..... D28/13  
 D609,857 S \* 2/2010 Schmitz ..... D28/15  
 8,209,877 B2 7/2012 Smal  
 8,267,098 B2 \* 9/2012 Glucksman ..... A45D 2/002  
 132/136  
 2004/0250831 A1 \* 12/2004 Rizzuto ..... A45D 2/002  
 132/271  
 2005/0109755 A1 \* 5/2005 Rachal ..... A45D 2/002  
 219/222  
 2007/0174984 A1 \* 8/2007 Diamond ..... A45D 20/525  
 15/106

2008/0223387 A1 \* 9/2008 Julemont ..... A45D 2/002  
 132/118  
 2008/0302378 A1 \* 12/2008 Rizzieri ..... A45D 1/04  
 132/211  
 2012/0080047 A1 \* 4/2012 Glucksman ..... A45D 20/48  
 132/223  
 2013/0247933 A1 9/2013 Oh et al.  
 2015/0101139 A1 \* 4/2015 Guy-Rabi ..... A46B 9/06  
 15/207.2  
 2015/0122286 A1 \* 5/2015 Valle ..... A45D 1/04  
 132/229  
 2016/0007708 A1 1/2016 Castro  
 2016/0100663 A1 \* 4/2016 Guy-Rabi ..... A46B 9/06  
 15/160

FOREIGN PATENT DOCUMENTS

CN 201530085995.1 9/2015  
 CN 201520404335.X 11/2015  
 CN 201510584452.3 12/2015  
 EP 1721539 A1 11/2006  
 HK DE 202013103279 U1 \* 10/2014 ..... A45D 1/04  
 IL WO 2013171732 A1 \* 11/2013 ..... A46B 9/06  
 NL FR 2725347 A3 \* 4/1996 ..... A45D 20/50

\* cited by examiner

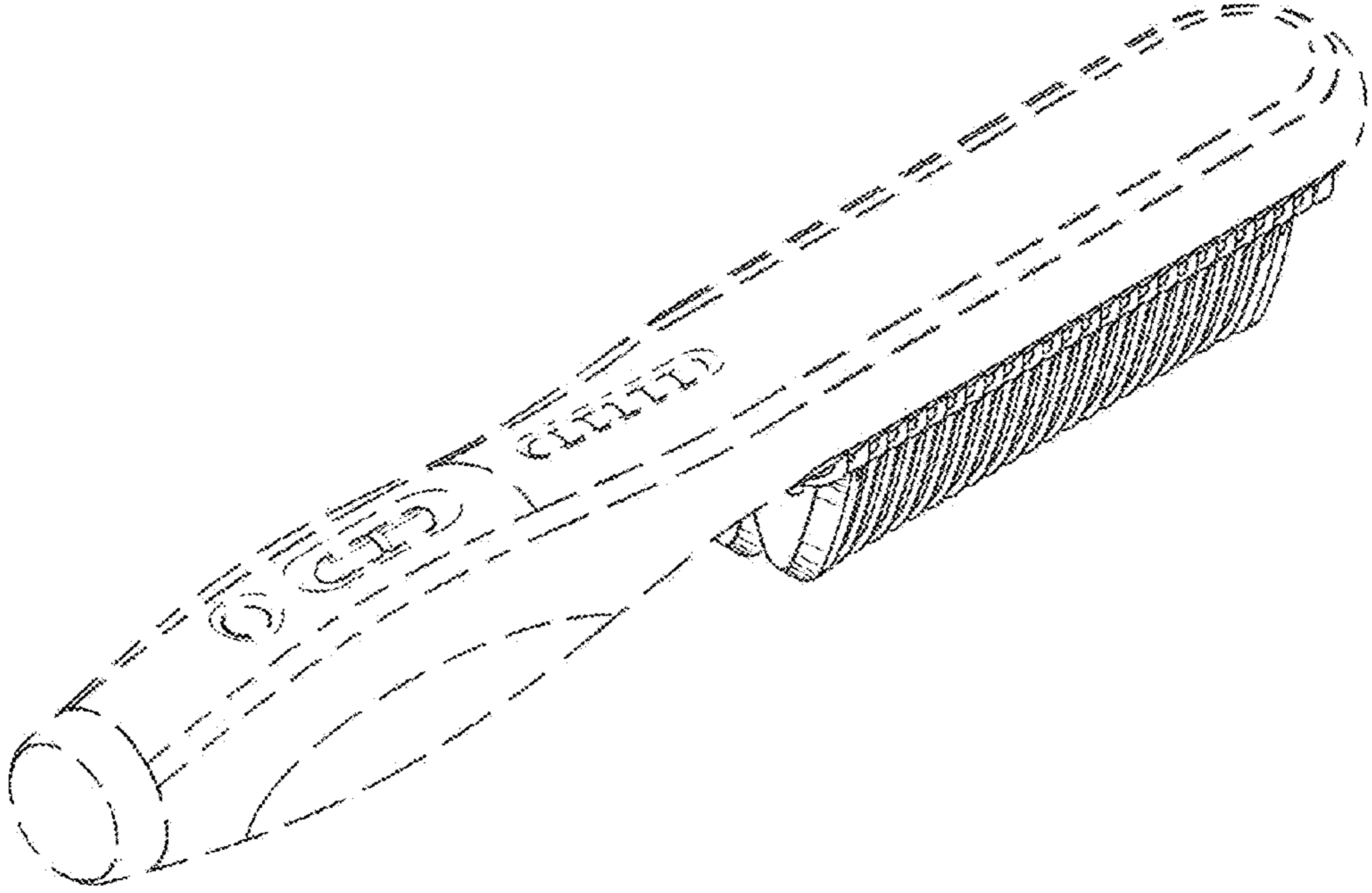


Fig. 1

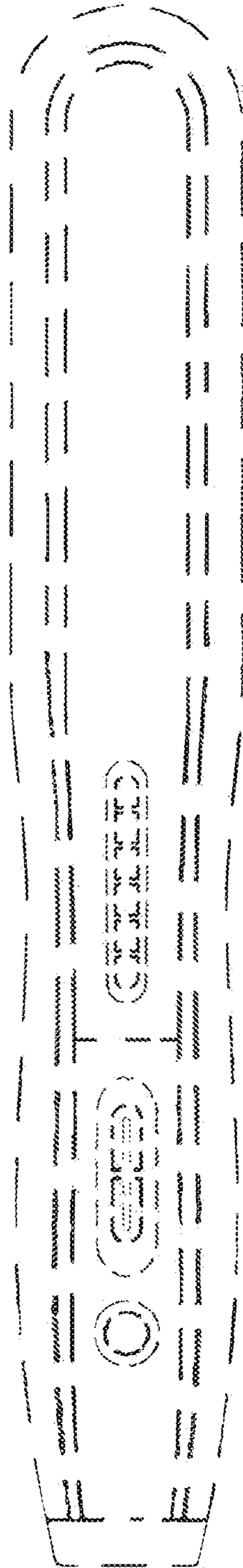


Fig. 2

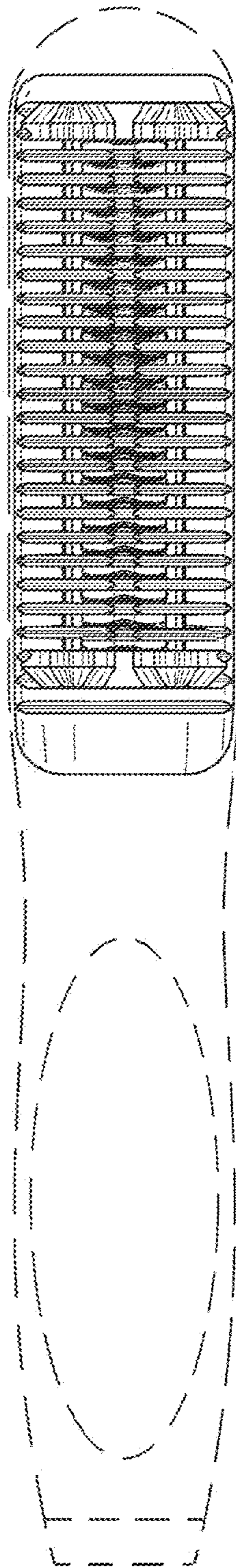


Fig. 3

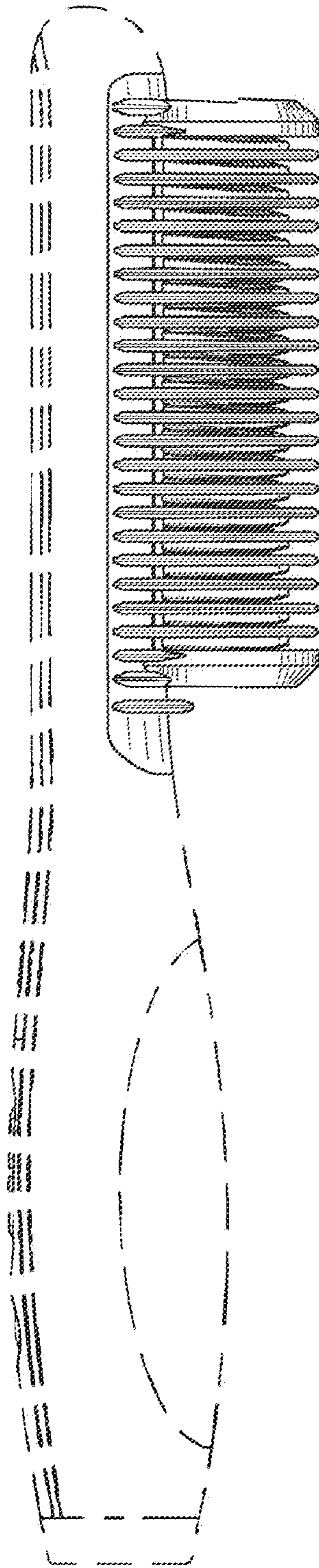


Fig. 4

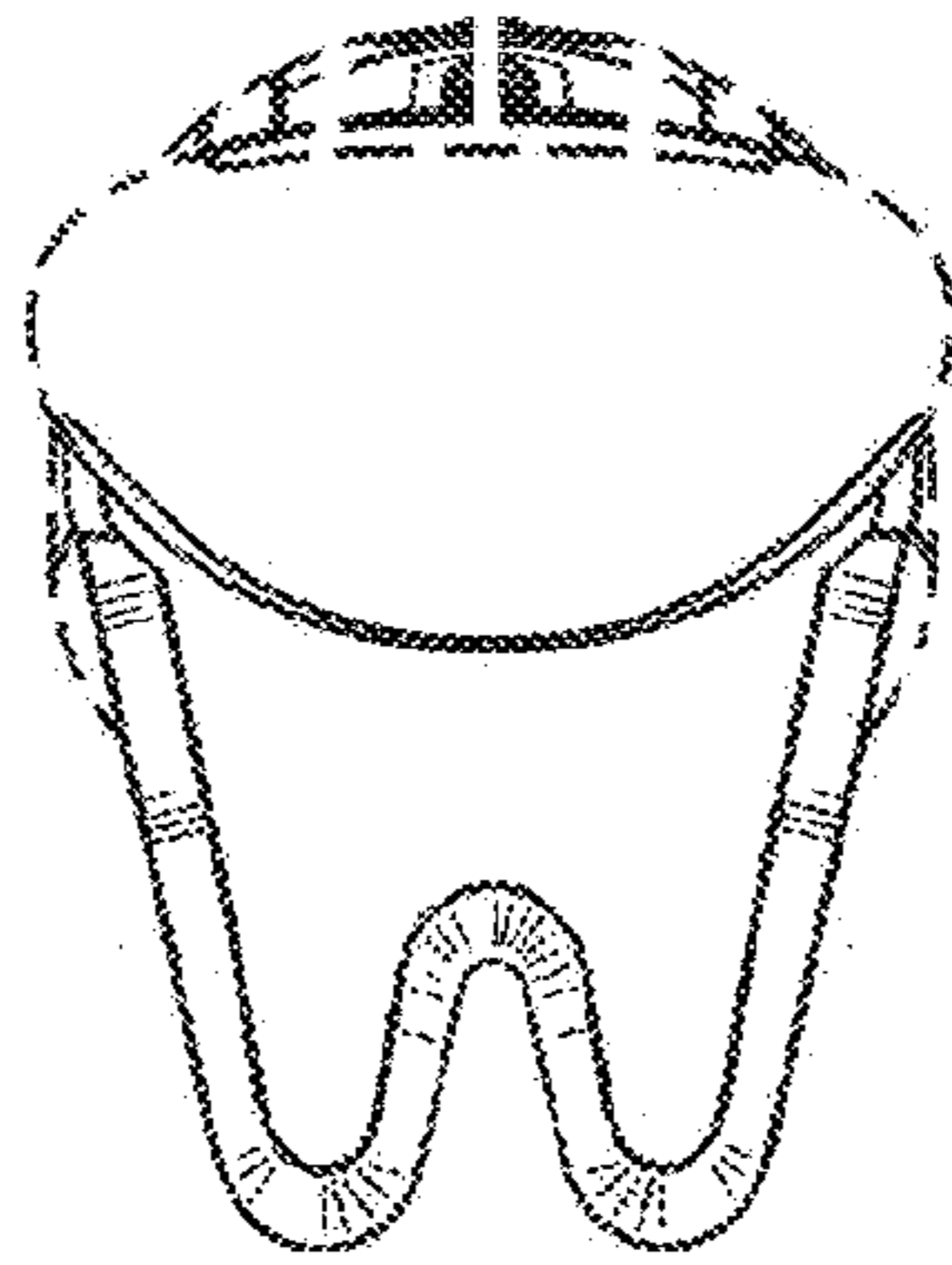


Fig. 5

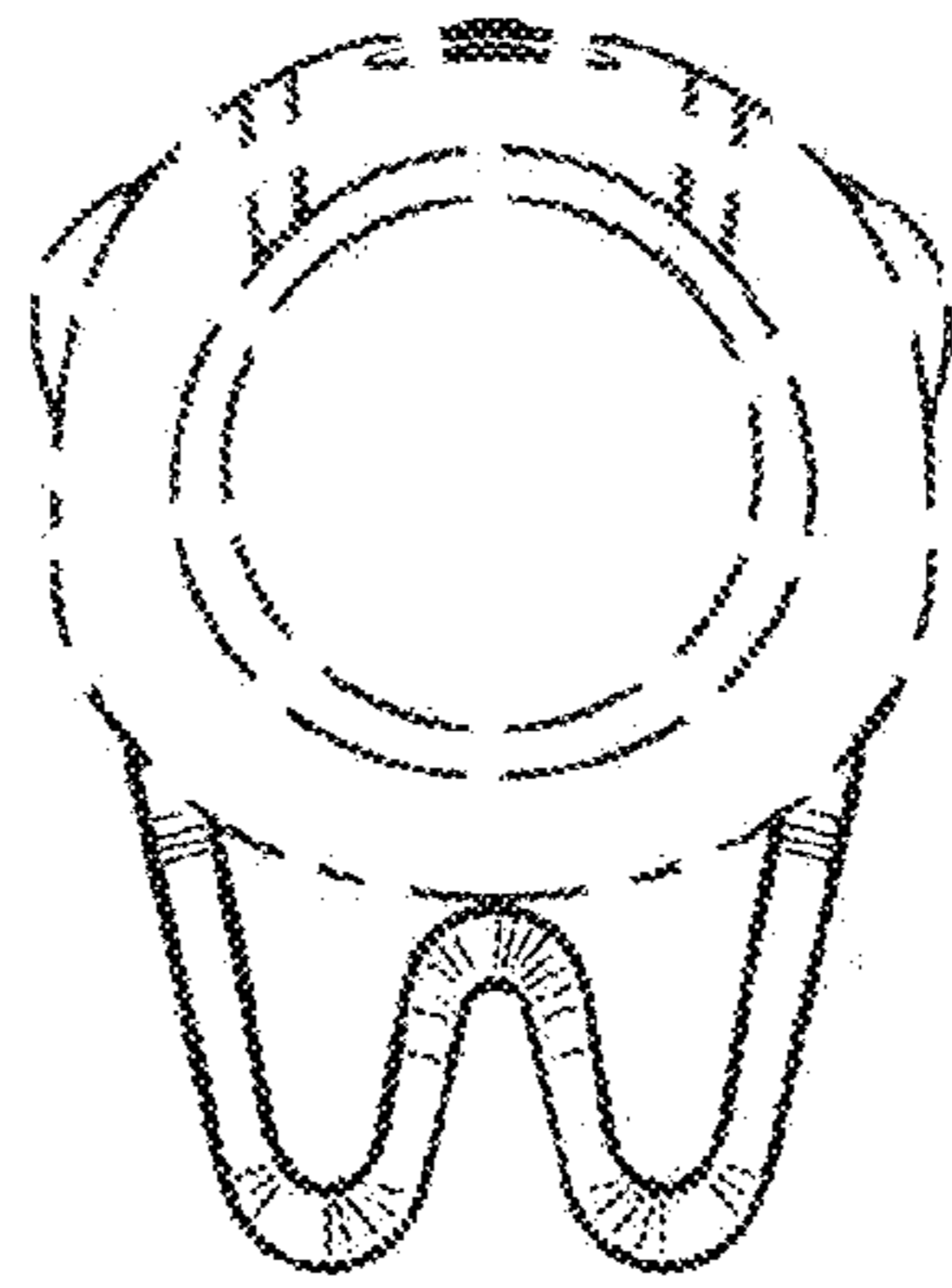


Fig. 6