



US00D766502S

(12) **United States Design Patent** (10) **Patent No.:** **US D766,502 S**  
**Starr** (45) **Date of Patent:** **\*\* Sep. 13, 2016**

(54) **VAPORIZATION APPARATUS**

(71) Applicant: **Michael Starr**, Canyon Country, CA (US)

(72) Inventor: **Michael Starr**, Canyon Country, CA (US)

(\*\*) Term: **14 Years**

(21) Appl. No.: **29/465,167**

(22) Filed: **Aug. 24, 2013**

(51) **LOC (10) Cl.** ..... **27-02**

(52) **U.S. Cl.**  
USPC ..... **D27/165**

(58) **Field of Classification Search**  
USPC ..... D27/101, 118, 177-178, 182, 188, 192, D27/194, 162-169; D7/515, 623, 638, 619, D7/506-507, 305, 533; 131/178, 179, 180, 131/328  
CPC ..... A24F 3/00; A24F 1/30; A24F 15/18; A24F 42/002; A47G 19/2205  
See application file for complete search history.

(56) **References Cited**

**U.S. PATENT DOCUMENTS**

945,973	A *	1/1910	Miles	131/192
D240,542	S *	7/1976	Murray	D27/163
4,036,240	A *	7/1977	Murray, Jr.	131/173
4,198,993	A *	4/1980	Martin et al.	131/173
4,223,686	A *	9/1980	Murray, Jr.	131/173
4,240,783	A *	12/1980	Nevin et al.	431/253
D261,690	S *	11/1981	Murray, Jr.	D27/163
D265,935	S *	8/1982	Sher	D27/162
D265,936	S *	8/1982	Sher	D27/162
D273,713	S *	5/1984	Sher	D27/162
D273,715	S *	5/1984	Sher	D27/162
5,969,278	A *	10/1999	Tsai	84/94.2
D451,504	S *	12/2001	Edwards	D14/253

D704,636	S *	5/2014	Huang	D13/108
D731,113	S *	6/2015	Wu et al.	D27/162
2012/0152263	A1 *	6/2012	Schoenfeld	131/186
2013/0239982	A1 *	9/2013	Meyer	131/328

**OTHER PUBLICATIONS**

9 Mind-Blowing Weed Gadgets Coming Soon, Published by the Nug on Aug. 13, 2013, <http://www.thenug.com/galleries/9-mind-blowing-weed-gadgets-coming-soon>.  
Vapor Cup Instructions, published by YouTube.com on Nov. 22, 2014, [https://www.youtube.com/watch?v=-L59\\_8e7z4U](https://www.youtube.com/watch?v=-L59_8e7z4U).  
McDonald's White Buger King Cup Starbucks Cup Glass Bong Bubbling Water Pipes Perc Hookah Oil Rig Glass Pipe, published by CNYWSHOP, copyright 2003-2014, <http://www.cnywshop.com/goods-737.html>.

\* cited by examiner

*Primary Examiner* — Susan Bennett Hattan  
*Assistant Examiner* — Janice Hallmark  
(74) *Attorney, Agent, or Firm* — Pryor Cashman LLP; Andrew S. Langsam, Esq.

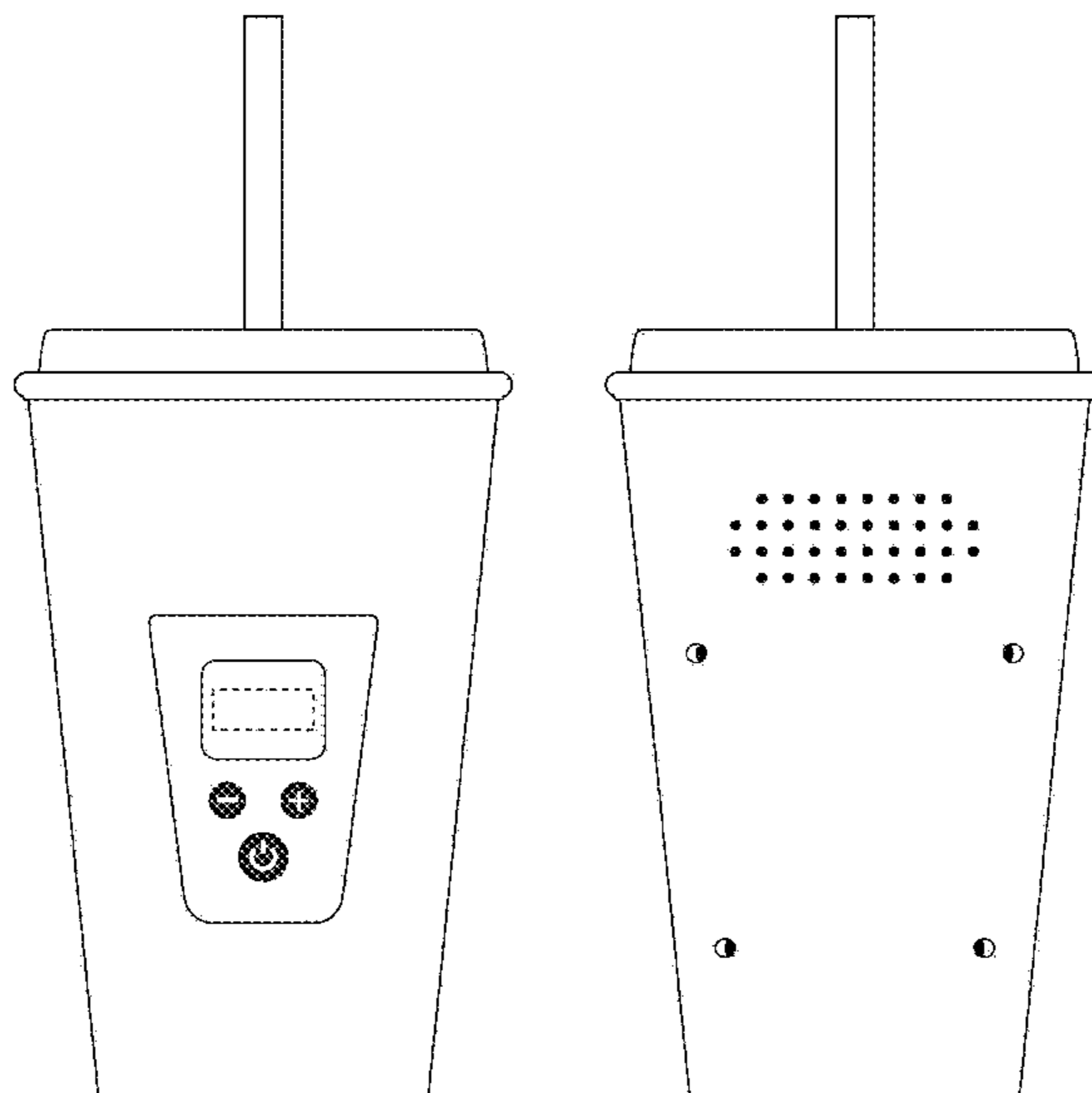
(57) **CLAIM**

The ornamental design for a vaporization apparatus, as shown and described.

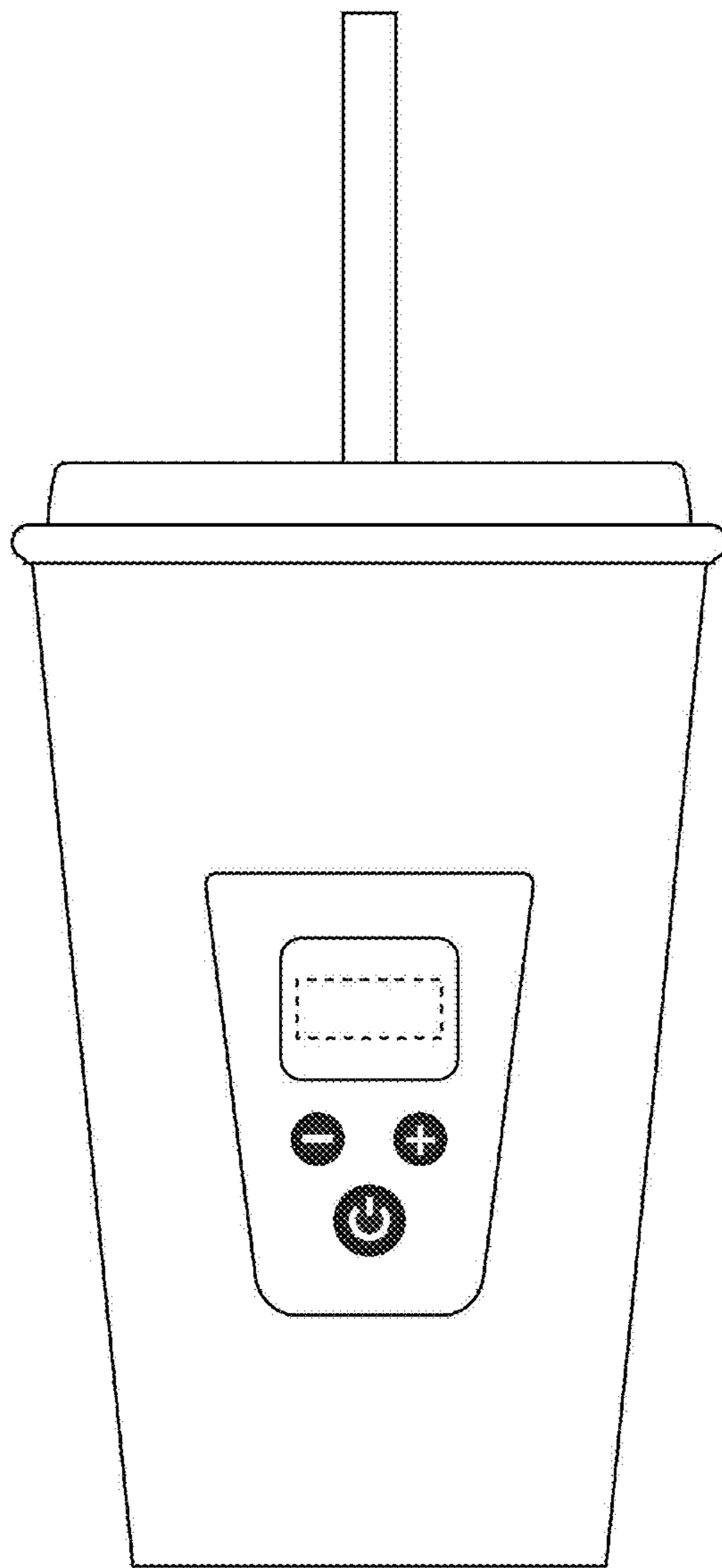
**DESCRIPTION**

FIG. 1 is a front view of a vaporization apparatus showing my new design;  
FIG. 2 is a rear view thereof;  
FIG. 3 is a left side view thereof;  
FIG. 4 is a right side view thereof;  
FIG. 5 is a top view thereof; and,  
FIG. 6 is a bottom view thereof.  
In the drawings, the dot-dot-dash broken lines depict the bounds of the claimed design and the dash-dash broken lines depict parts of the vaporization apparatus; All broken lines form no part of the claimed design.

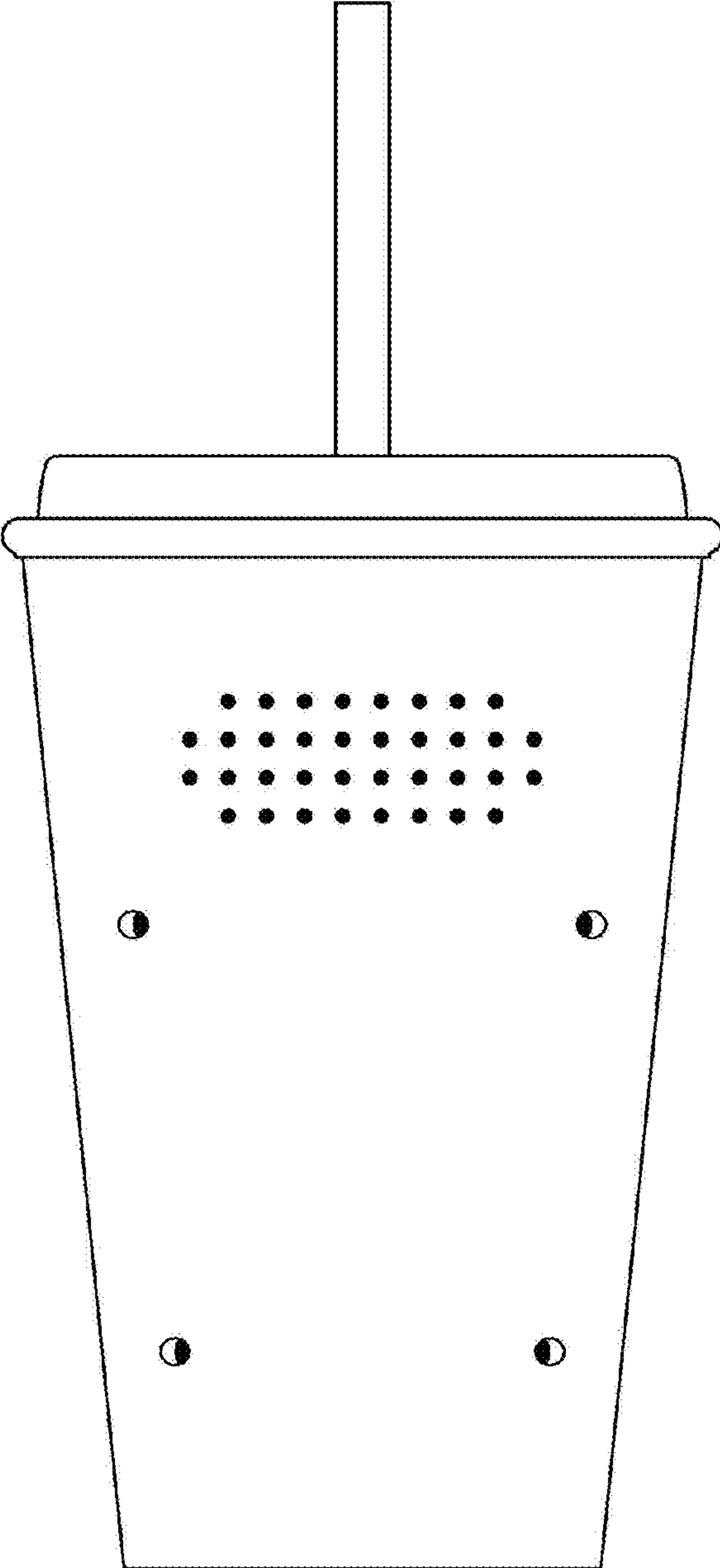
**1 Claim, 5 Drawing Sheets**



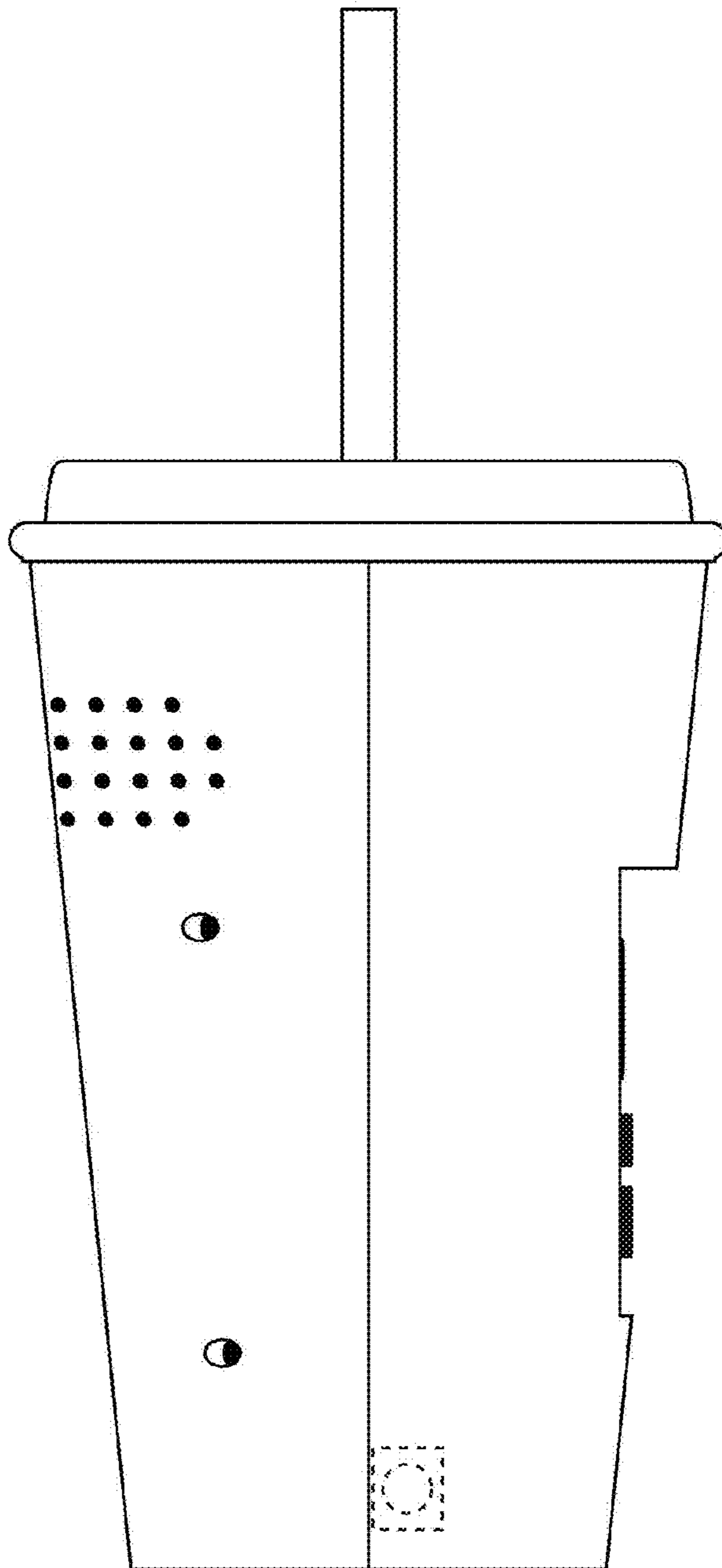
*FIG. 1*



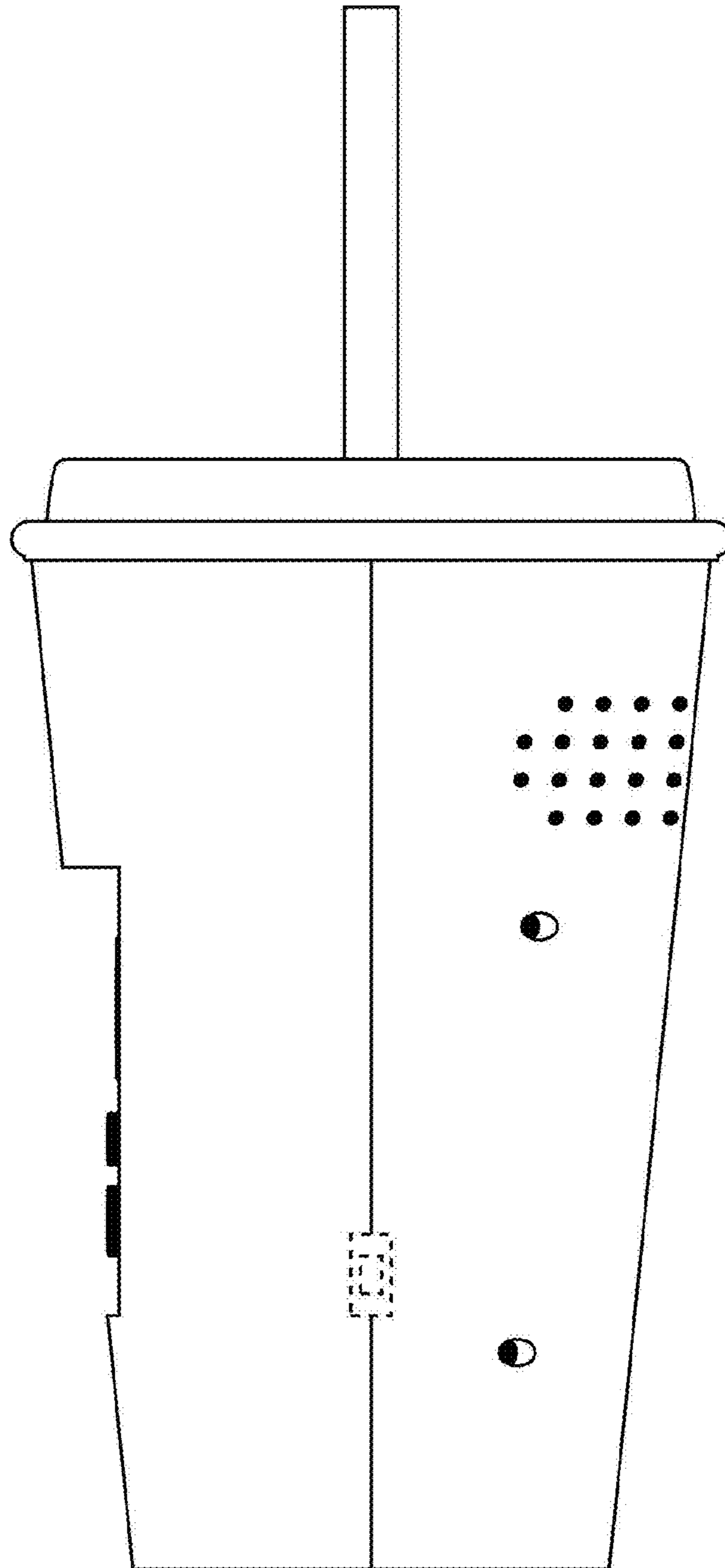
**FIG. 2**



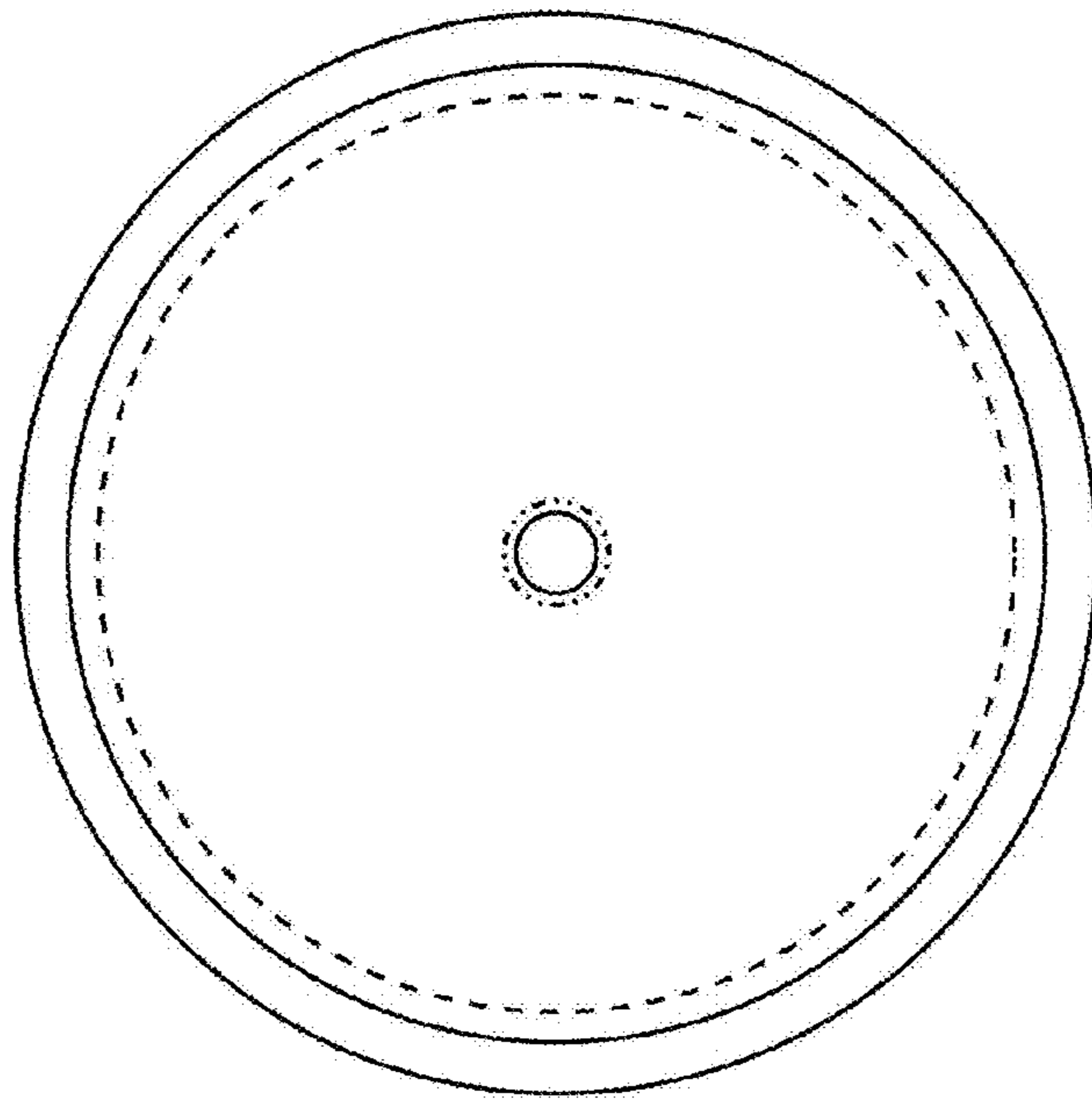
**FIG. 3**



**FIG. 4**



**FIG. 5**



**FIG. 6**

