



US00D766499S

(12) **United States Design Patent**
Packard et al.

(10) **Patent No.:** **US D766,499 S**

(45) **Date of Patent:** **** Sep. 13, 2016**

(54) **BEZEL FOR A LIGHT BAR**

(71) Applicant: **DBMP, LLC**, Bountiful, UT (US)

(72) Inventors: **Jacob Dennis Packard**, Farmington, UT (US); **Jace Derrick Packard**, Farmington, UT (US)

(73) Assignee: **DBMP, LLC**, Bountiful, UT (US)

(**) Term: **15 Years**

(21) Appl. No.: **29/531,655**

(22) Filed: **Jun. 29, 2015**

(51) **LOC (10) Cl.** **26-99**

(52) **U.S. Cl.**
USPC **D26/139; D26/31**

(58) **Field of Classification Search**
USPC D26/28-36, 139; 362/61, 80-83,
362/267-269, 459-468, 475-478, 485-487
CPC B60Q 1/04; B60Q 1/26; F21S 8/04;
F21S 8/026; F21V 21/02; F21V 21/04;
F21V 29/004; F21V 29/2212; F21V 1/02;
F21V 1/04; F21Y 2101/02
See application file for complete search history.

(56) **References Cited**

U.S. PATENT DOCUMENTS

D361,951 S * 9/1995 Campman D10/104.1
D363,250 S * 10/1995 Miyatake D10/114.1
D410,292 S * 5/1999 Mayle D26/28
D411,124 S * 6/1999 Karlin D10/114.1
D499,198 S * 11/2004 Cowan D26/31
D509,923 S * 9/2005 Arthur D26/139
D576,765 S * 9/2008 Song D26/139

D608,498 S * 1/2010 Beigel D26/139
D639,502 S * 6/2011 Heilaneh D26/139
D656,258 S * 3/2012 Georgitsis D26/31
D676,990 S * 2/2013 Adams D26/31

OTHER PUBLICATIONS

Unknown, "Heretic Studio Offroad LED Light Bar Line Taking Off!" Sep. 4, 2014, 2 pages, Available at <http://www.hereticstudio.com/blog/heretic-studio-offroad-led-light-bar-line-taking/>.

* cited by examiner

Primary Examiner — Marcus Jackson

(74) *Attorney, Agent, or Firm* — Workman Nydegger

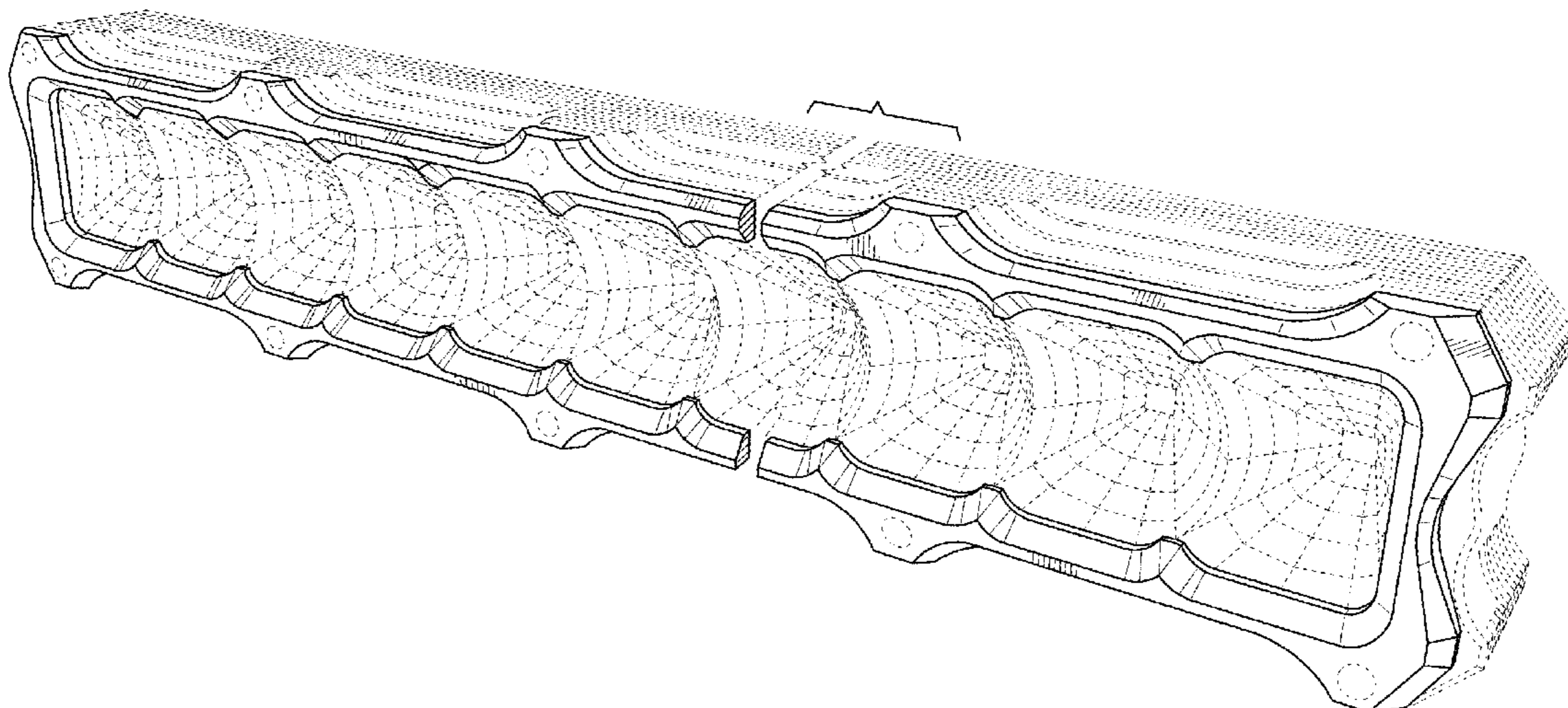
(57) **CLAIM**

The ornamental design for a bezel for a light bar, as shown and described.

DESCRIPTION

FIG. 1 is a perspective environmental view of a bezel for a light bar showing our design;
FIG. 2 is a front elevational view thereof;
FIG. 3 is a rear elevational view thereof;
FIG. 4 is a top plan view thereof, the bottom plan view being a mirror image thereof; and,
FIG. 5 is a left elevational view thereof, the right elevational view being a mirror image thereof.
The broken lines shown in the drawings are for illustrative purposes and illustrate portions of the bezel for a light bar that form no part of the claimed design. Where applicable, the use of separation and bracket indicate that, for ease of illustration, the precise width or height of the design is not claimed.

1 Claim, 3 Drawing Sheets



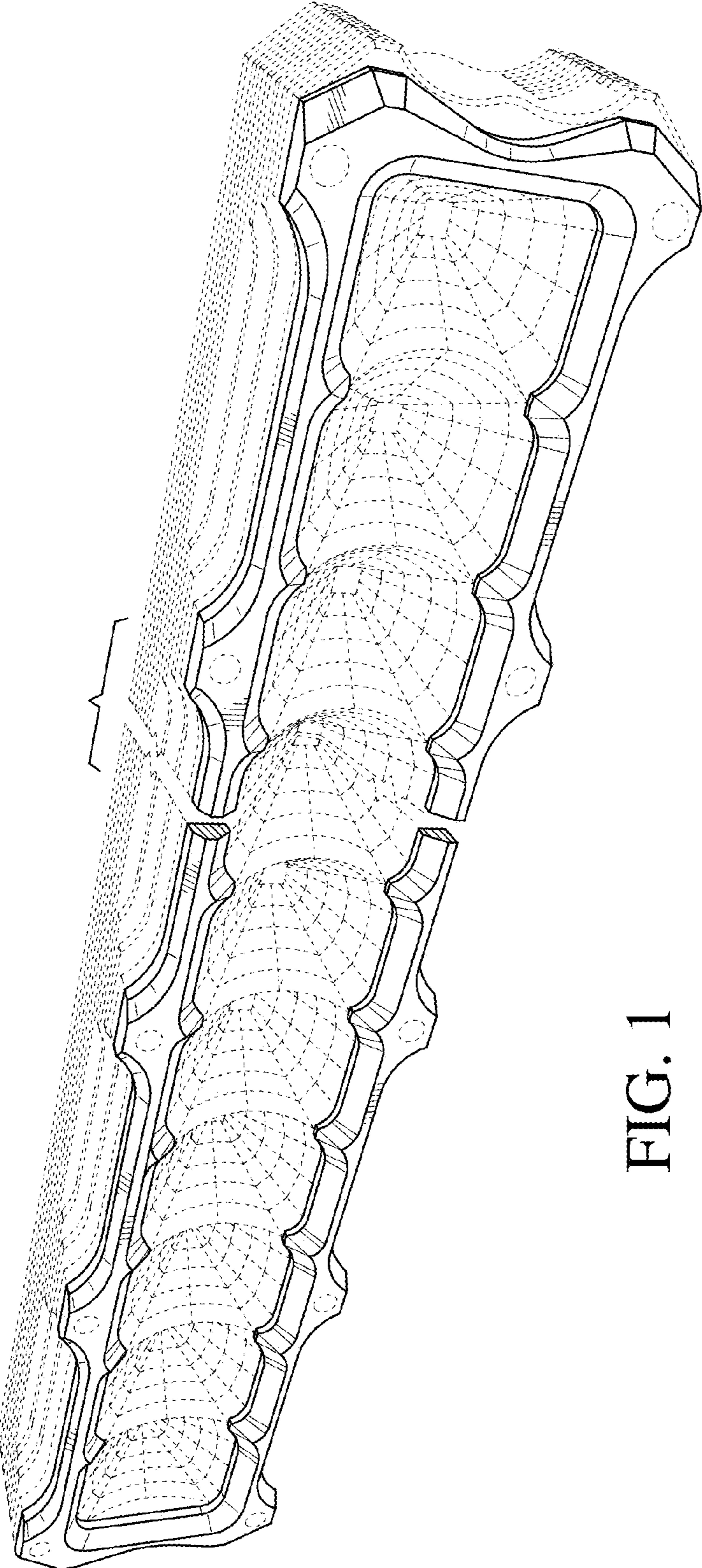


FIG. 1

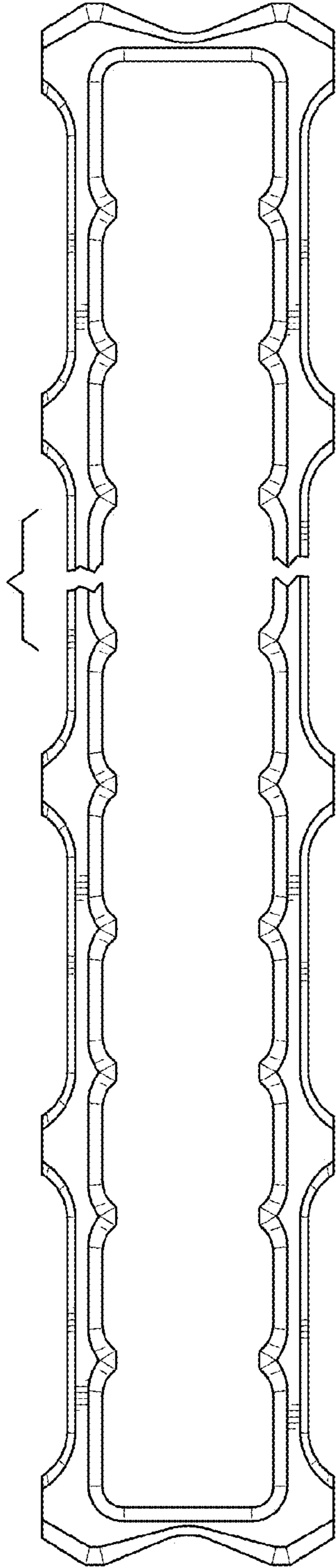


FIG. 2

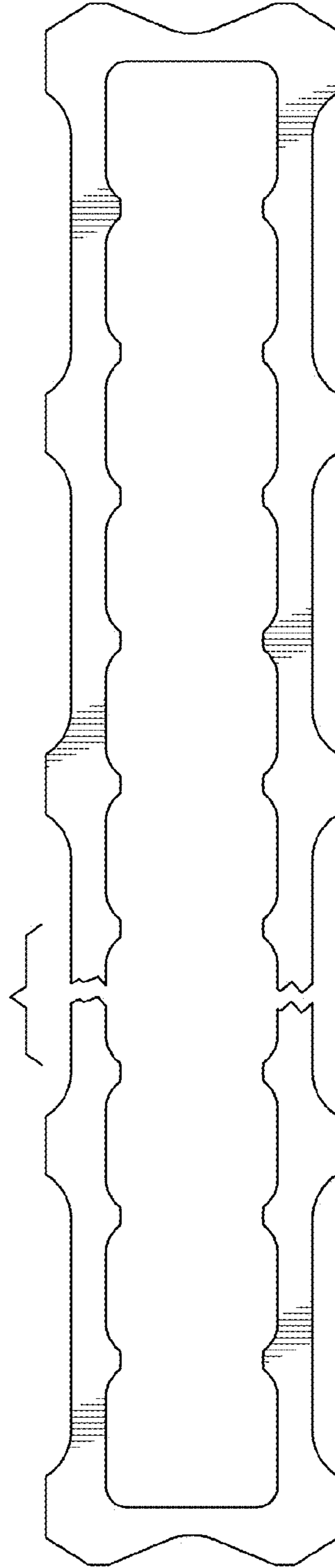


FIG. 3

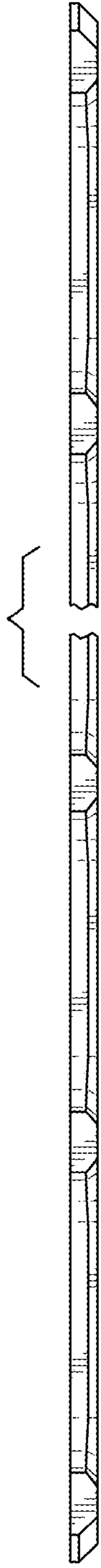


FIG. 4

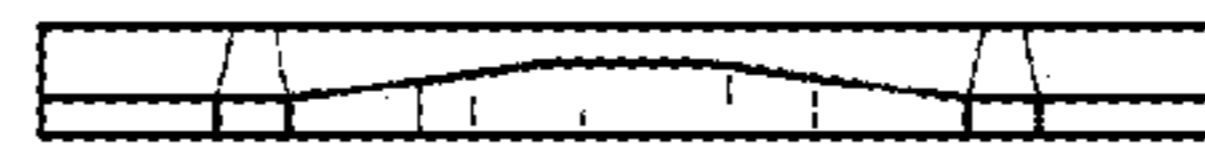


FIG. 5