



US00D766497S

(12) **United States Design Patent** (10) **Patent No.:** **US D766,497 S**  
**Salomon** (45) **Date of Patent:** **\*\* \*Sep. 13, 2016**

(54) **LIGHTING FIXTURE TRIM**  
(71) Applicant: **SPECIALITY LIGHTING INDUSTRIES, INC.**, Ocean, NJ (US)  
(72) Inventor: **Benjamin Salomon**, Elberon, NJ (US)  
(73) Assignee: **Specialty Lighting Industries**, Ocean, NJ (US)

D592,348 S \* 5/2009 Trott ..... D26/118  
D601,741 S \* 10/2009 Trott ..... D26/118  
D628,335 S \* 11/2010 Hyland ..... D26/74  
D664,699 S \* 7/2012 Nakahira ..... D26/74  
D677,817 S \* 3/2013 Mayfield, III ..... D26/74  
D679,437 S \* 4/2013 Watt ..... D26/74  
D695,442 S \* 12/2013 Speier ..... D26/74  
D702,868 S \* 4/2014 Patel ..... D26/74  
D711,036 S \* 8/2014 Salomon ..... D26/74  
D731,111 S \* 6/2015 Chen ..... D26/128

(\* ) Notice: This patent is subject to a terminal disclaimer.  
(\*\* ) Term: **14 Years**

\* cited by examiner  
*Primary Examiner* — George D Kirschbaum  
*Assistant Examiner* — Natasha Vujcic  
(74) *Attorney, Agent, or Firm* — Jeffrey J. Brosemer

(21) Appl. No.: **29/497,047**  
(22) Filed: **Jul. 21, 2014**  
(51) **LOC (10) Cl.** ..... **26-99**  
(52) **U.S. Cl.**  
USPC ..... **D26/138**

(57) **CLAIM**  
The ornamental design for a lighting fixture trim, as shown and described.

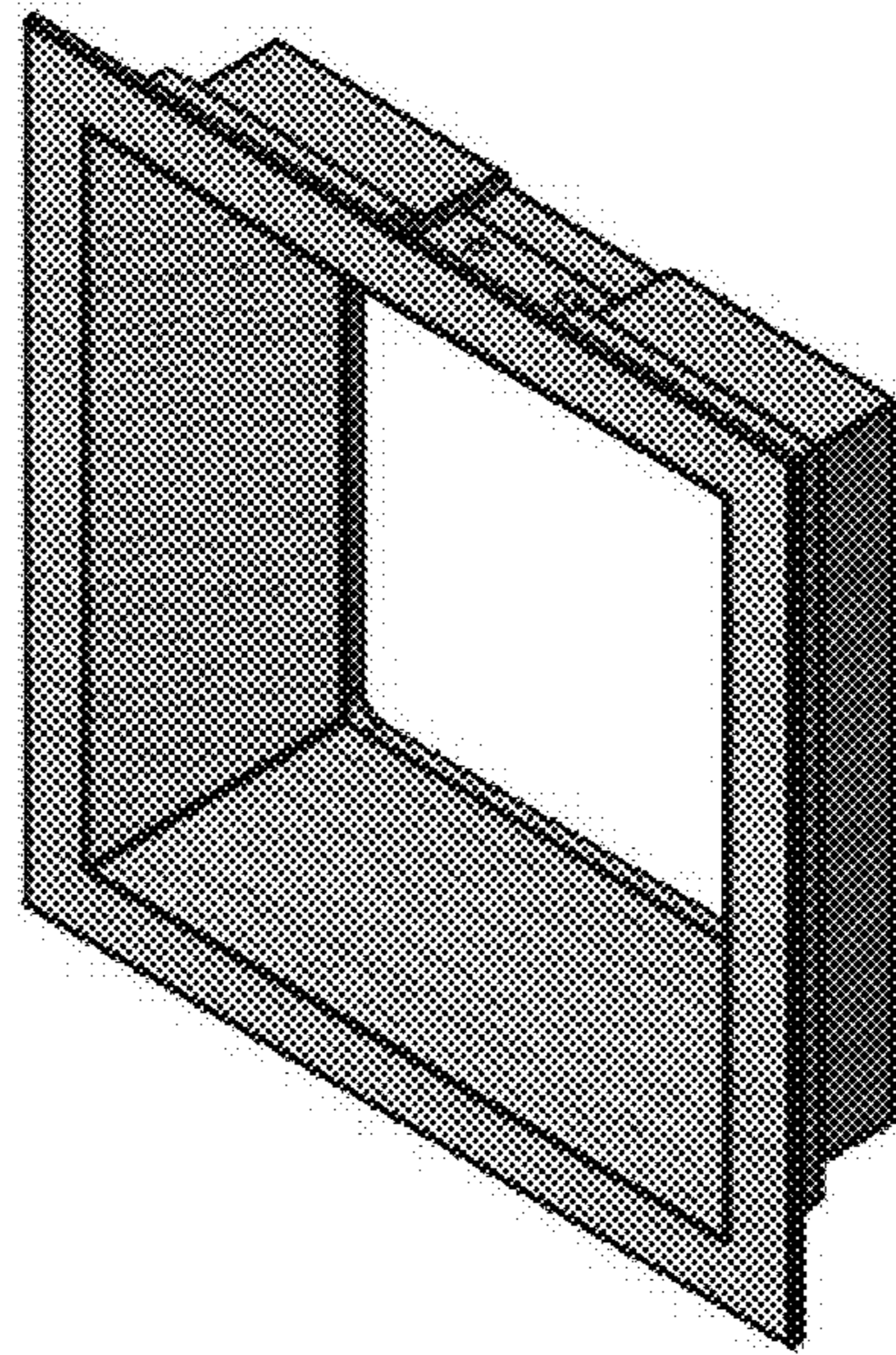
(58) **Field of Classification Search**  
USPC ..... D26/24, 39, 59, 67, 68, 69, 70, 71, 72, D26/74, 77, 80, 88, 89, 138, 139, 140, 141, D26/142, 151, 152  
CPC ..... F24S 4/001; F24S 4/005; F24S 8/00; F24S 8/04; F24S 8/043; F24S 8/046; F24S 8/06-8/065; F24S 13/02; F24S 13/04; F24S 13/06  
See application file for complete search history.

**DESCRIPTION**

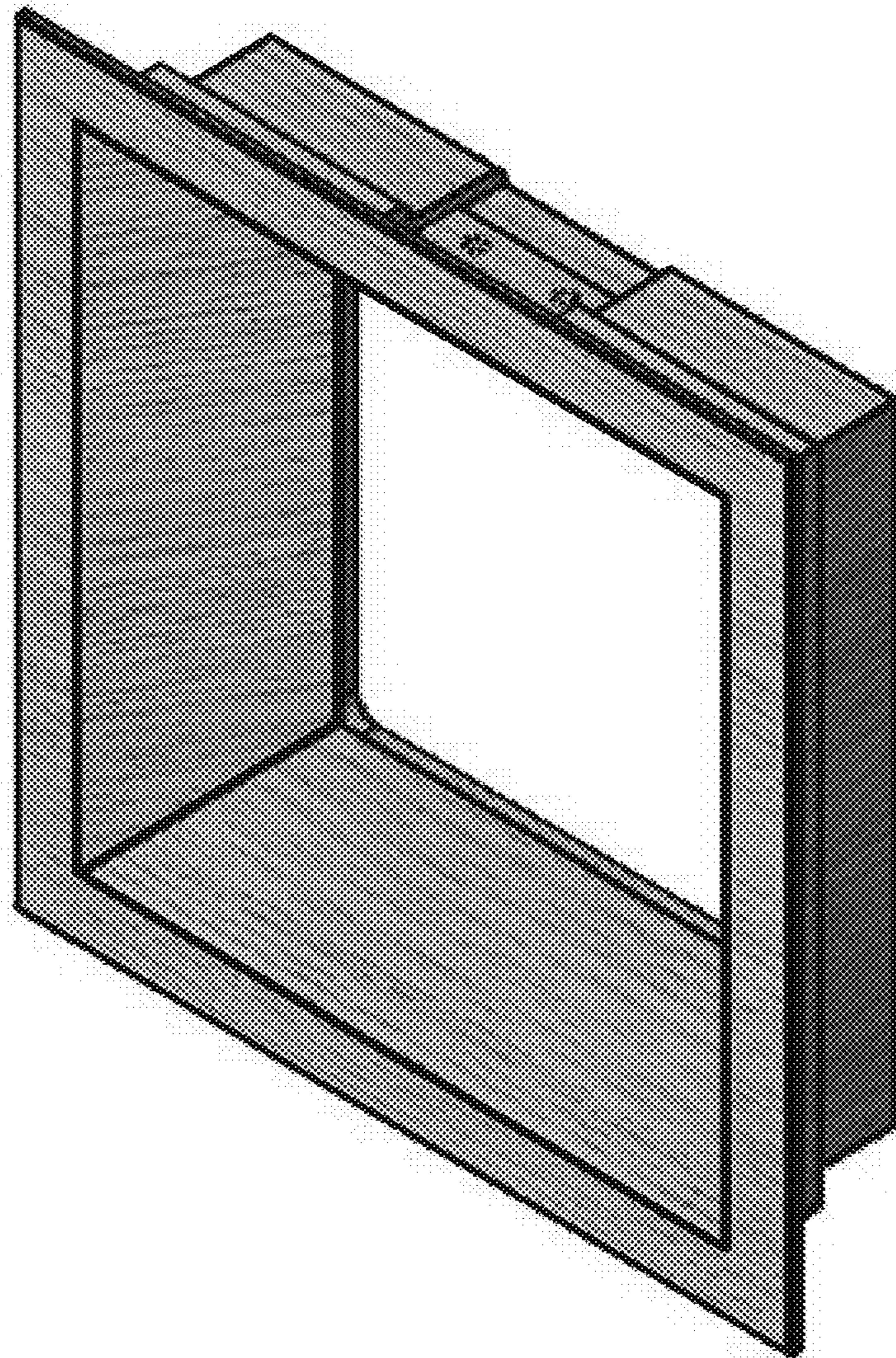
The application file contains at least one drawing executed in color. Copies of this patent or patent application publication with color drawing(s) will be provided by the Office upon request and payment of the necessary fee.  
FIG. 1 is a perspective view of a lighting fixture trim showing my new design;  
FIG. 2 is a front view thereof;  
FIG. 3 is a right side view thereof;  
FIG. 4 is a left side view thereof;  
FIG. 5 is a top view thereof; and,  
FIG. 6 is a bottom view thereof.  
The broken lines in the drawings illustrate portions of the lighting fixture trim which form no part of the claimed design.

(56) **References Cited**  
U.S. PATENT DOCUMENTS  
D266,890 S \* 11/1982 Pfanstiehl ..... D6/300  
6,179,451 B1 \* 1/2001 Bodine ..... E04B 9/001  
362/147  
D451,555 S \* 12/2001 Smith ..... D20/42

**1 Claim, 6 Drawing Sheets**  
**(6 of 6 Drawing Sheet(s) Filed in Color)**

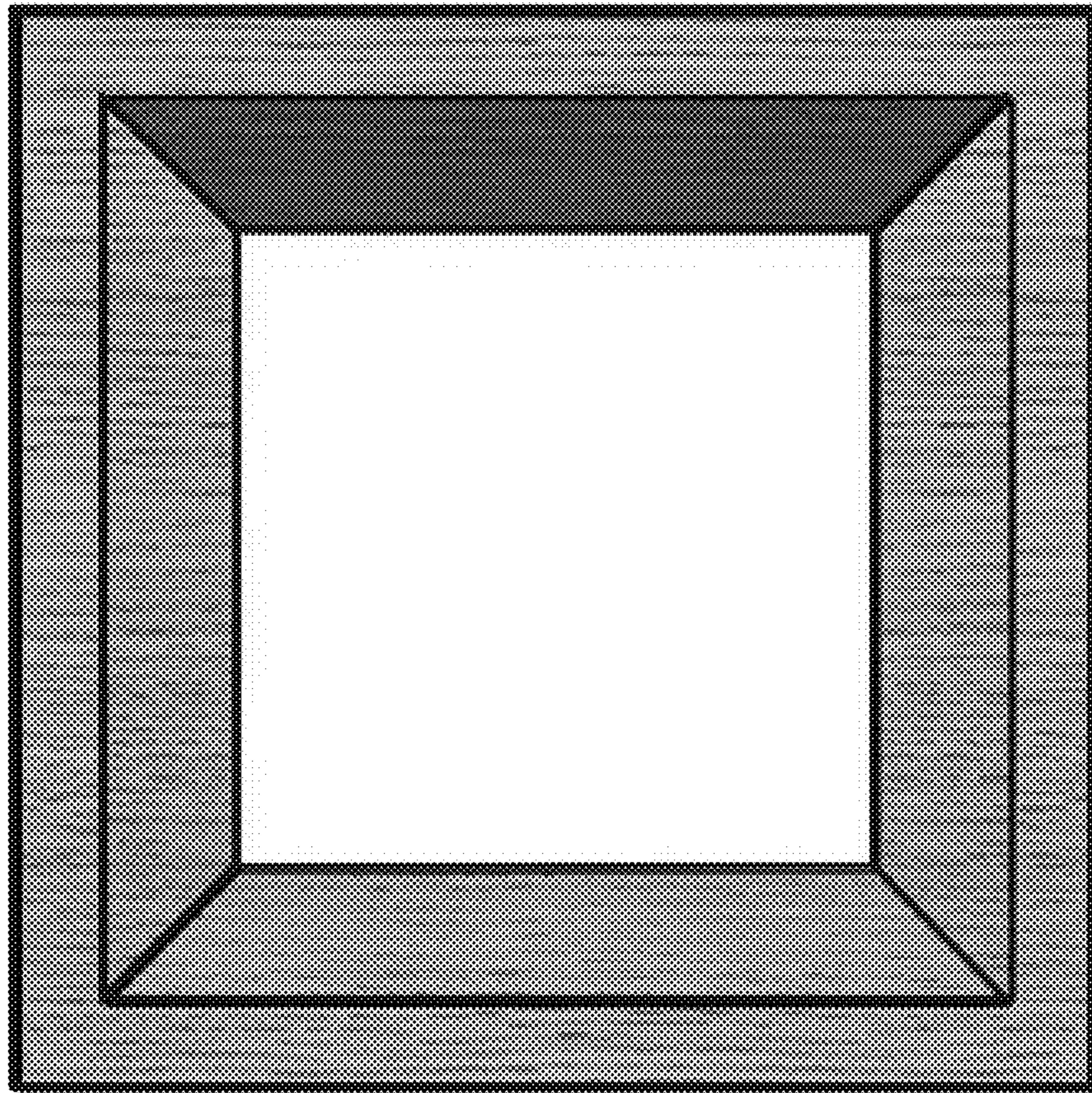




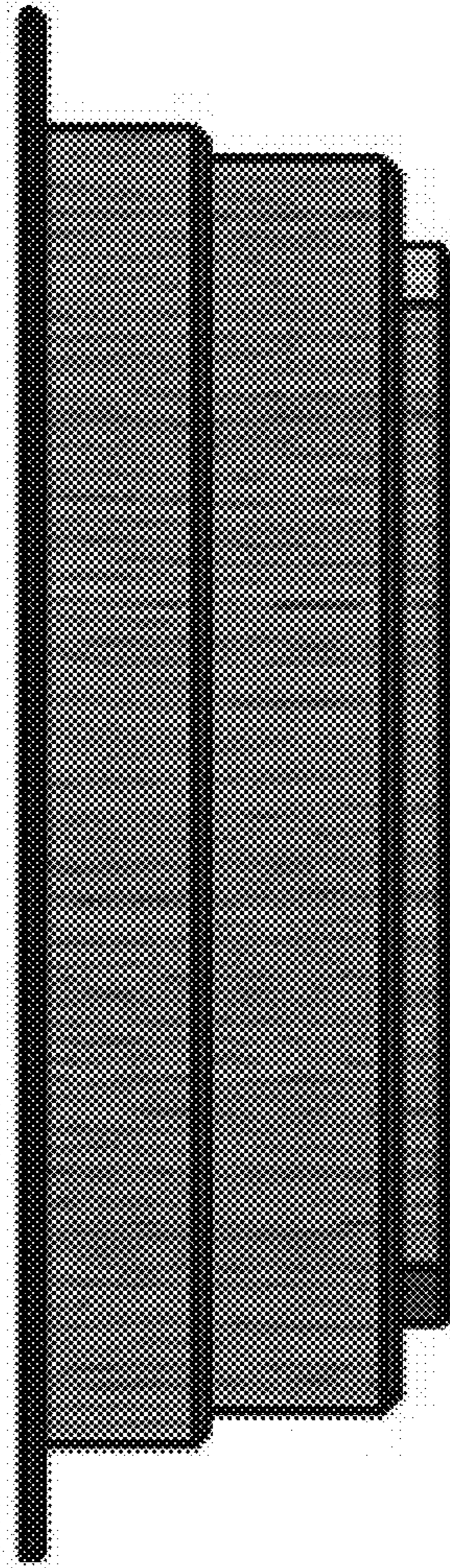


*FIGURE 1*



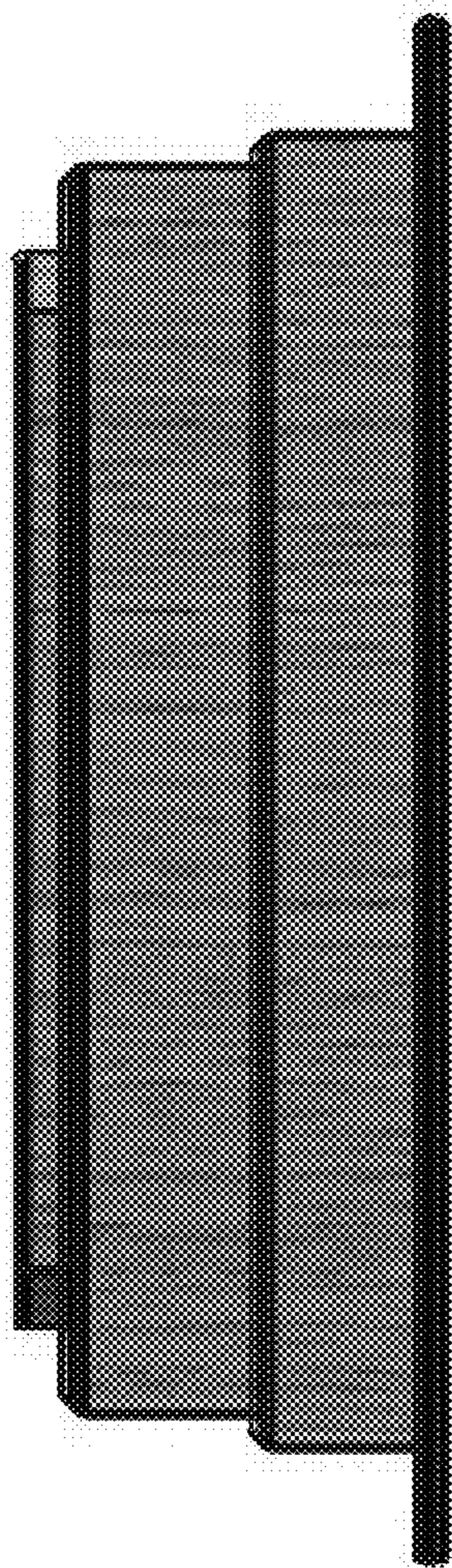


*FIGURE 2*

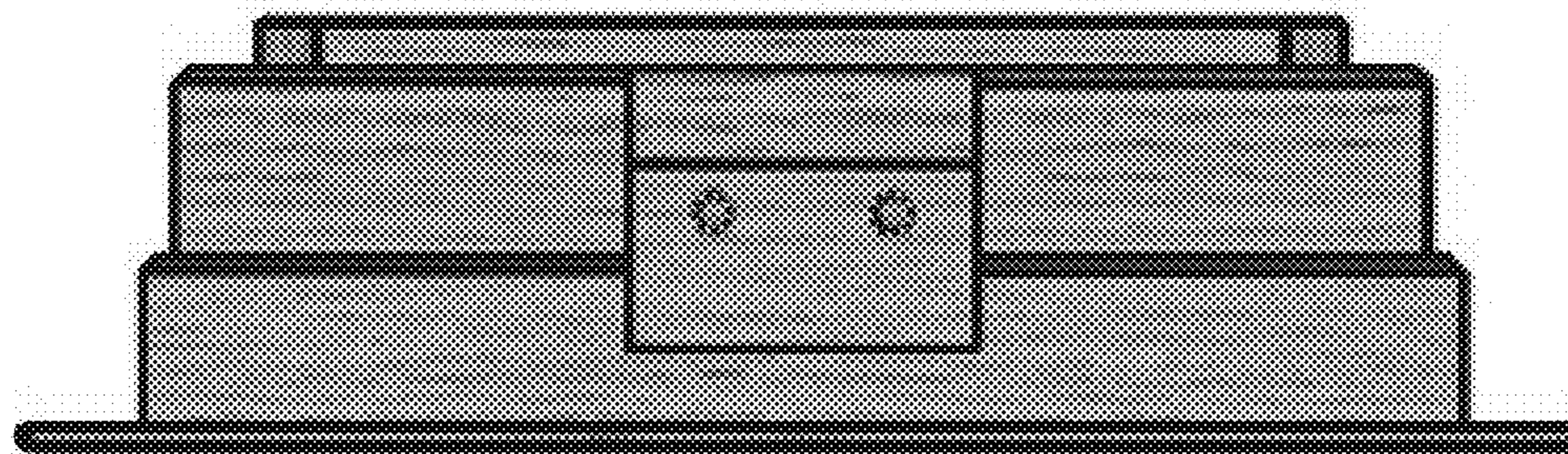


*FIGURE 3*

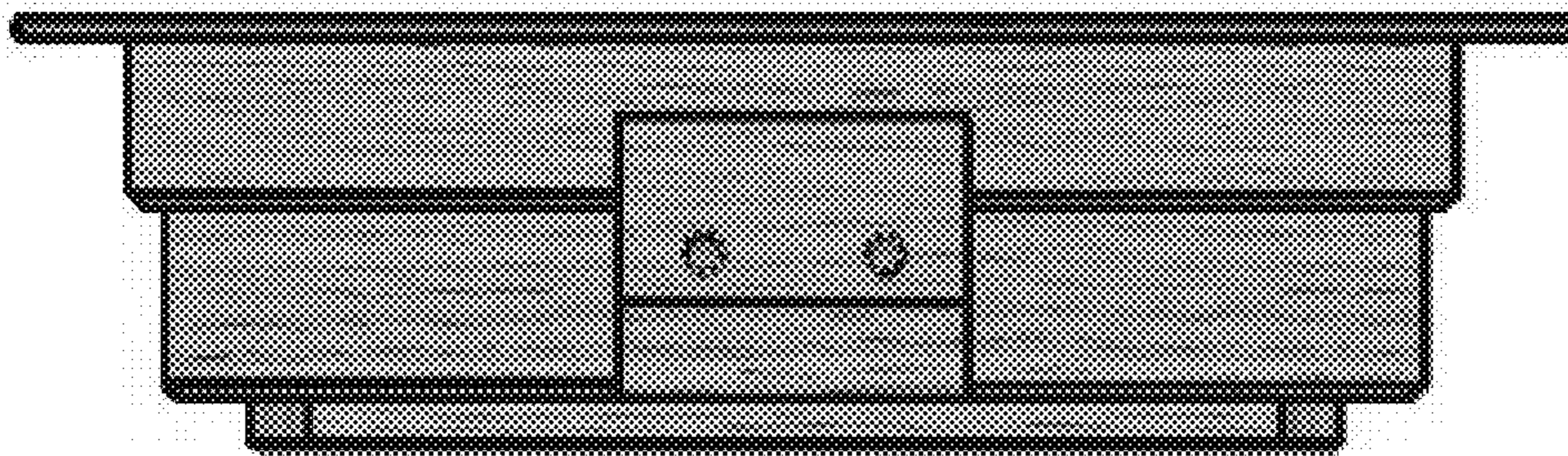




*FIGURE 4*



*FIGURE 5*



*FIGURE 6*