

US00D766496S

(12) **United States Design Patent** (10) **Patent No.:** **US D766,496 S**
Maerzke et al. (45) **Date of Patent:** **** Sep. 13, 2016**

(54) **OPERATING LAMP**

(71) Applicant: **Trumpf Medizin Systeme GmbH + Co. KG**, Saalfeld (DE)

(72) Inventors: **Thomas Maerzke**, Hamburg (DE);
Fred Held, Hamburg (DE)

(73) Assignee: **Trumpf Medizin Systeme GmbH + Co. KG**, Saalfeld (DE)

(**) Term: **14 Years**

(21) Appl. No.: **29/526,162**

(22) Filed: **May 7, 2015**

(30) **Foreign Application Priority Data**

Nov. 7, 2014	(EM)	25742850001
Nov. 7, 2014	(EM)	25742850002
Nov. 7, 2014	(EM)	25742850003
Nov. 7, 2014	(EM)	25742850004

(51) **LOC (10) Cl.** **26-99**

(52) **U.S. Cl.**
USPC **D26/118**

(58) **Field of Classification Search**
USPC D26/118, 61, 120, 124, 63
CPC F21S 8/00; F21V 7/0066; F21V 21/00;
F21V 21/116; F21V 21/14; F21W 2131/20;
F21W 2131/202; F21W 2131/205
See application file for complete search history.

(56) **References Cited**

U.S. PATENT DOCUMENTS

2,896,066	A	*	7/1959	Quetin	362/216
D187,948	S	*	5/1960	Lauterbach et al.	D26/63
D218,948	S	*	10/1970	Maurer et al.	D26/65
D221,247	S	*	7/1971	Beach et al.	D26/65
D254,632	S	*	4/1980	Brendgord	D26/65
D699,879	S	*	2/2014	Haenel	D26/63

* cited by examiner

Primary Examiner — Brian N Vinson

(74) *Attorney, Agent, or Firm* — Barnes & Thornburg LLP

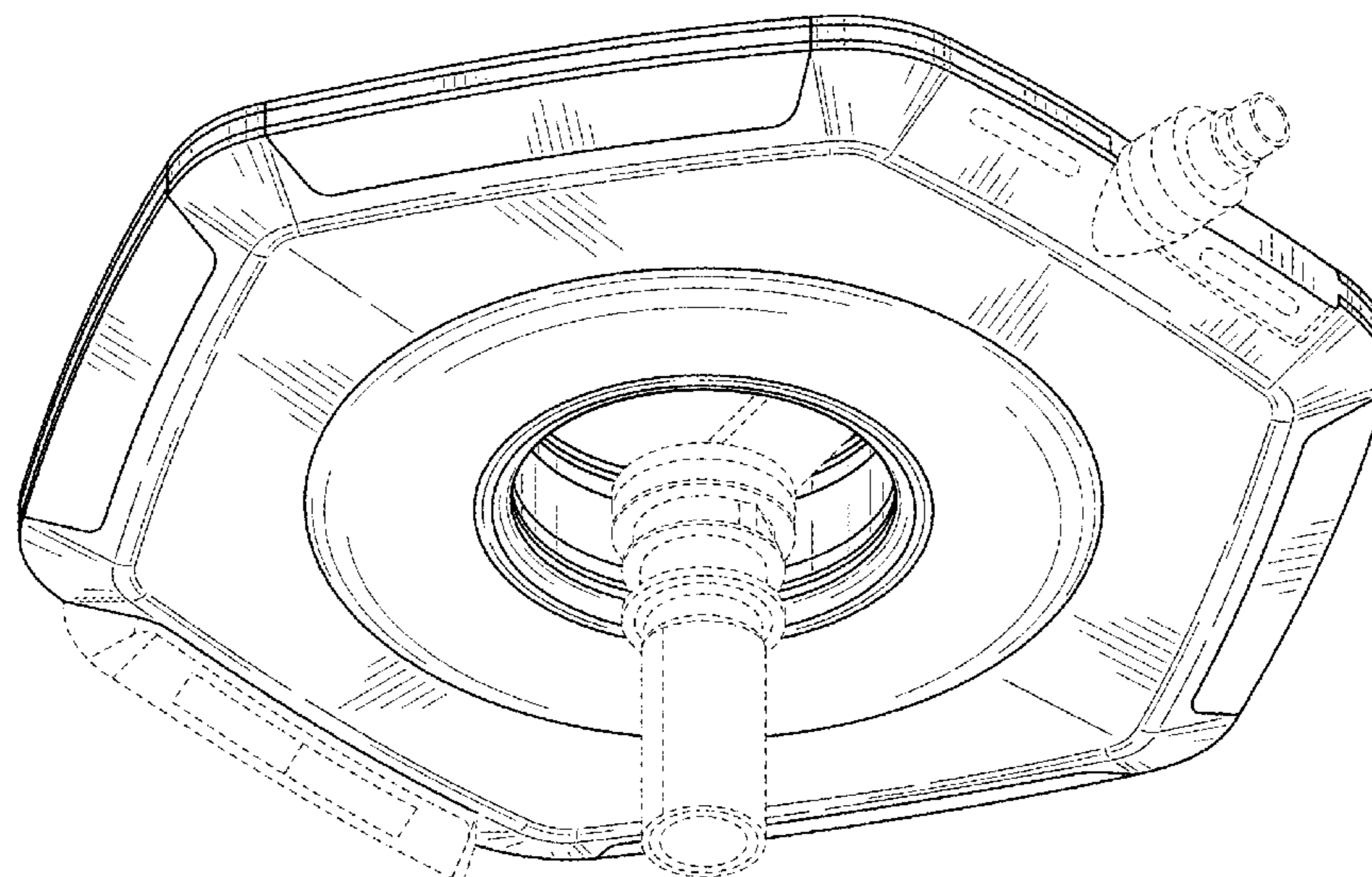
(57) **CLAIM**

The ornamental design for an operating lamp, as shown and described.

DESCRIPTION

FIG. 1 is a perspective view of our design.
FIG. 2 is a front view of our design.
FIG. 3 is a rear view of our design.
FIG. 4 is a right side view of our design.
FIG. 5 is a left side view of our design.
FIG. 6 is a top view of our design; and,
FIG. 7 is a bottom view of our design.
The broken line disclosure represents portions of the lamp which form no part of the claimed design.

1 Claim, 5 Drawing Sheets



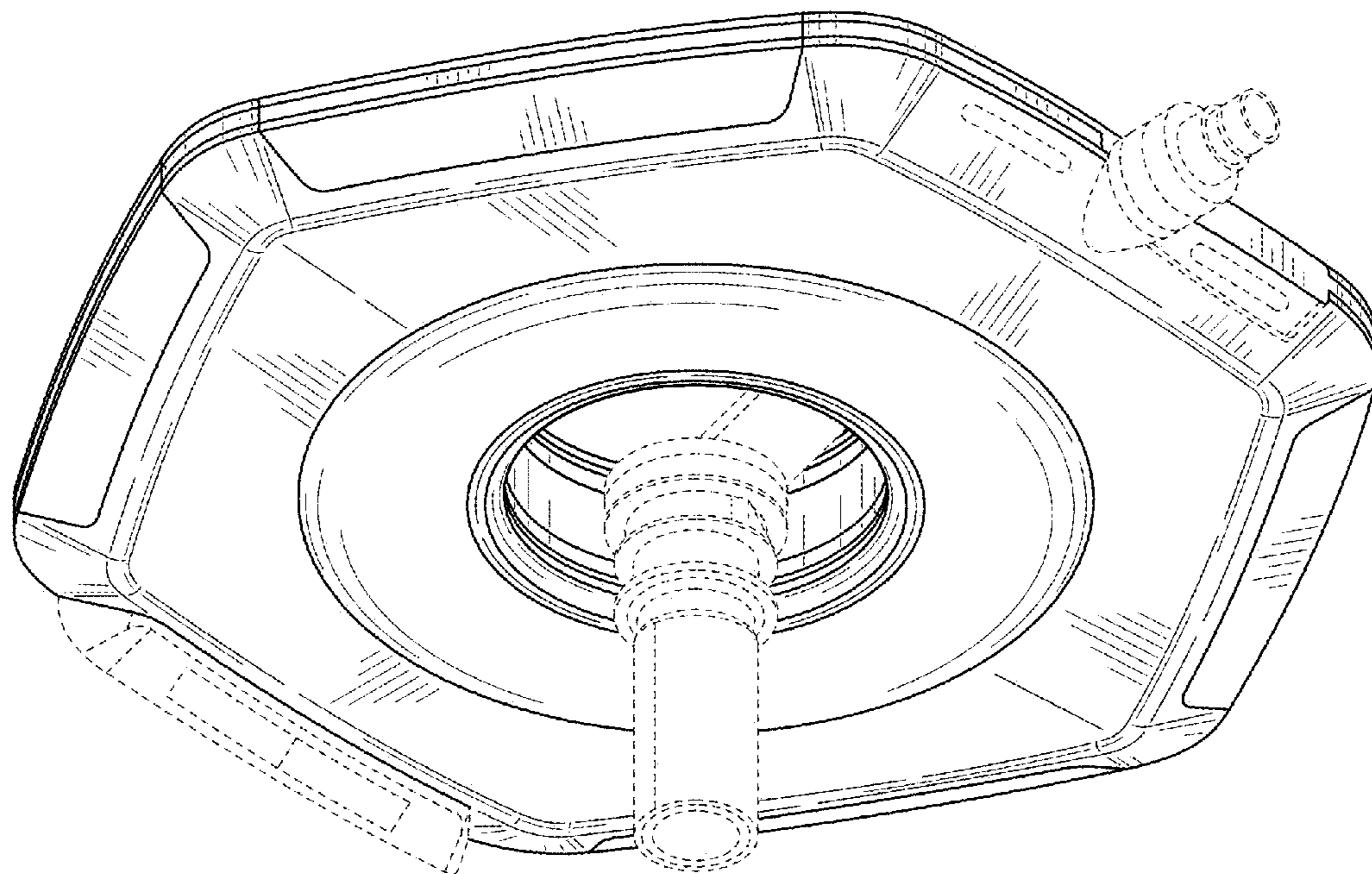


FIG. 1

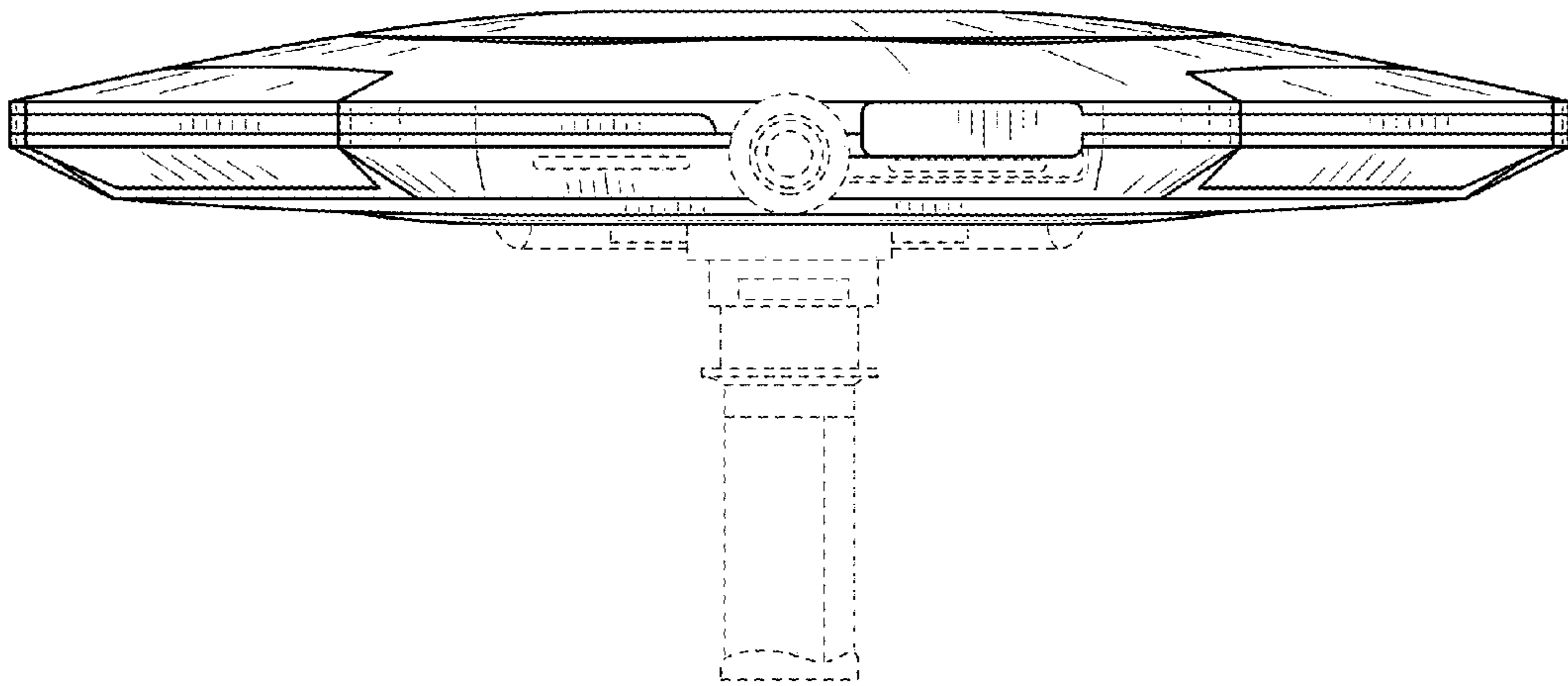


FIG. 2

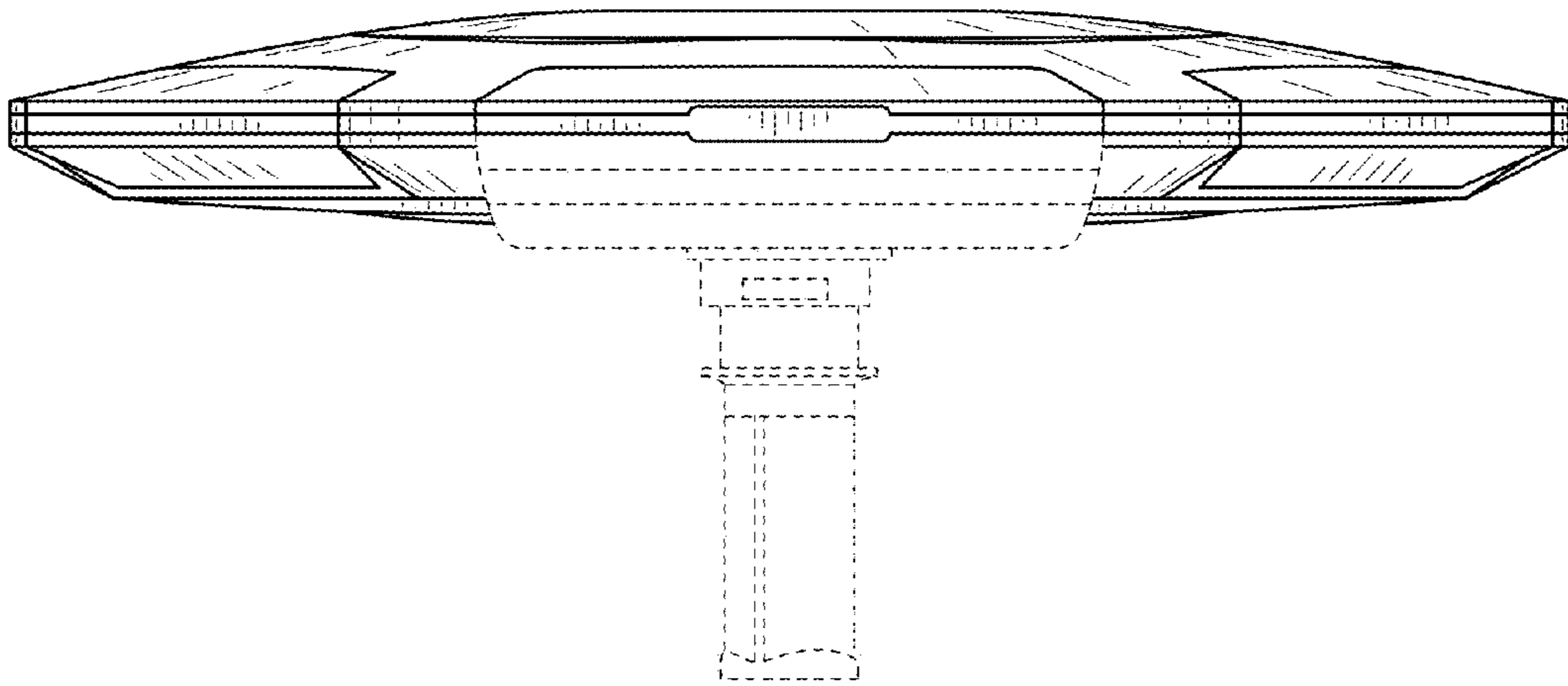


FIG. 3

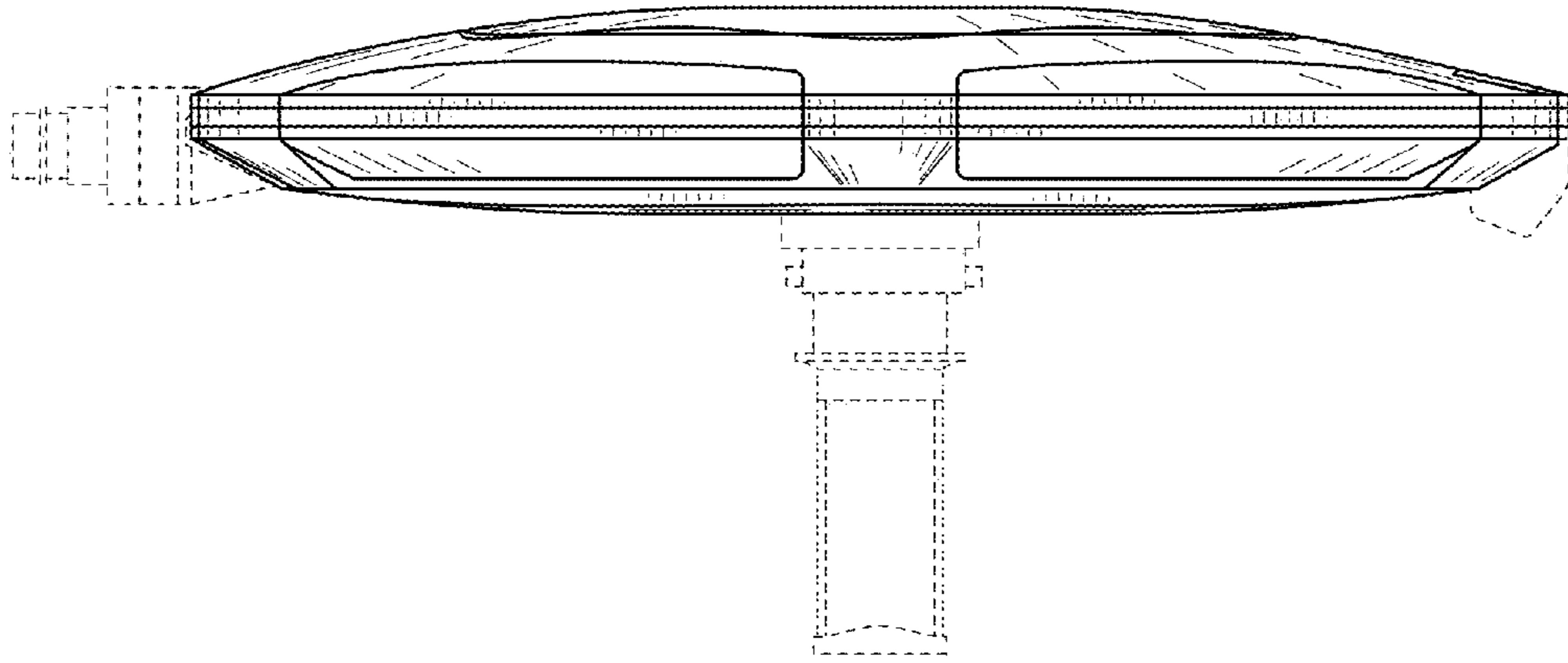


FIG. 4

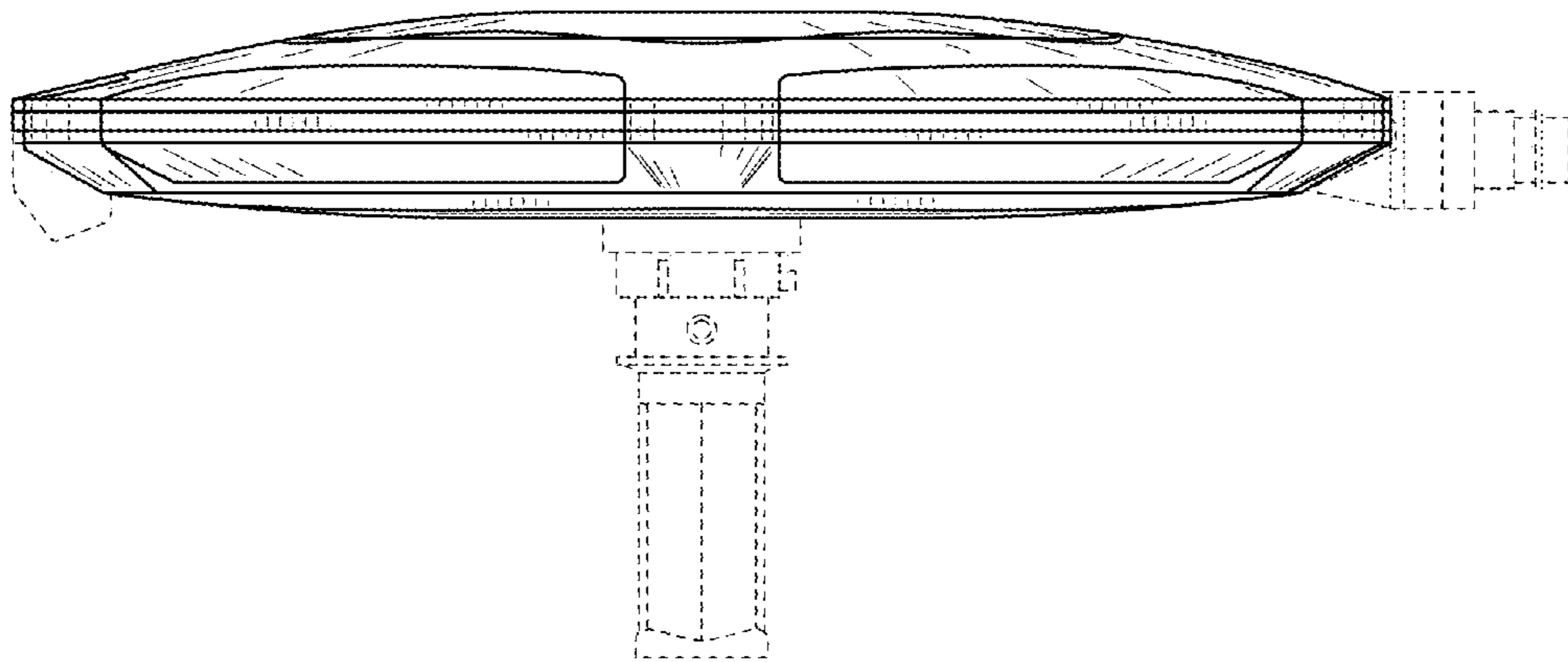


FIG. 5

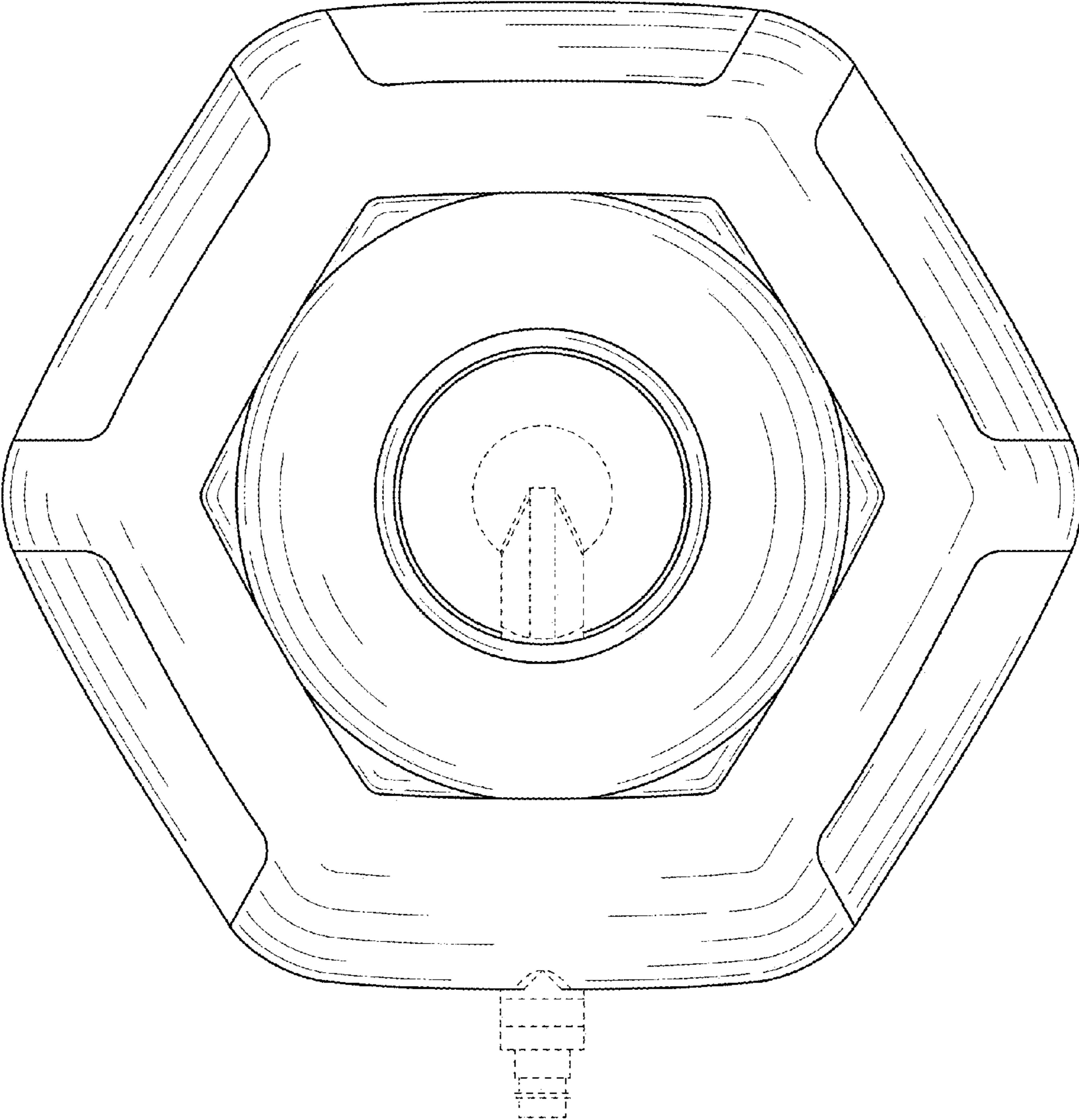


FIG. 6

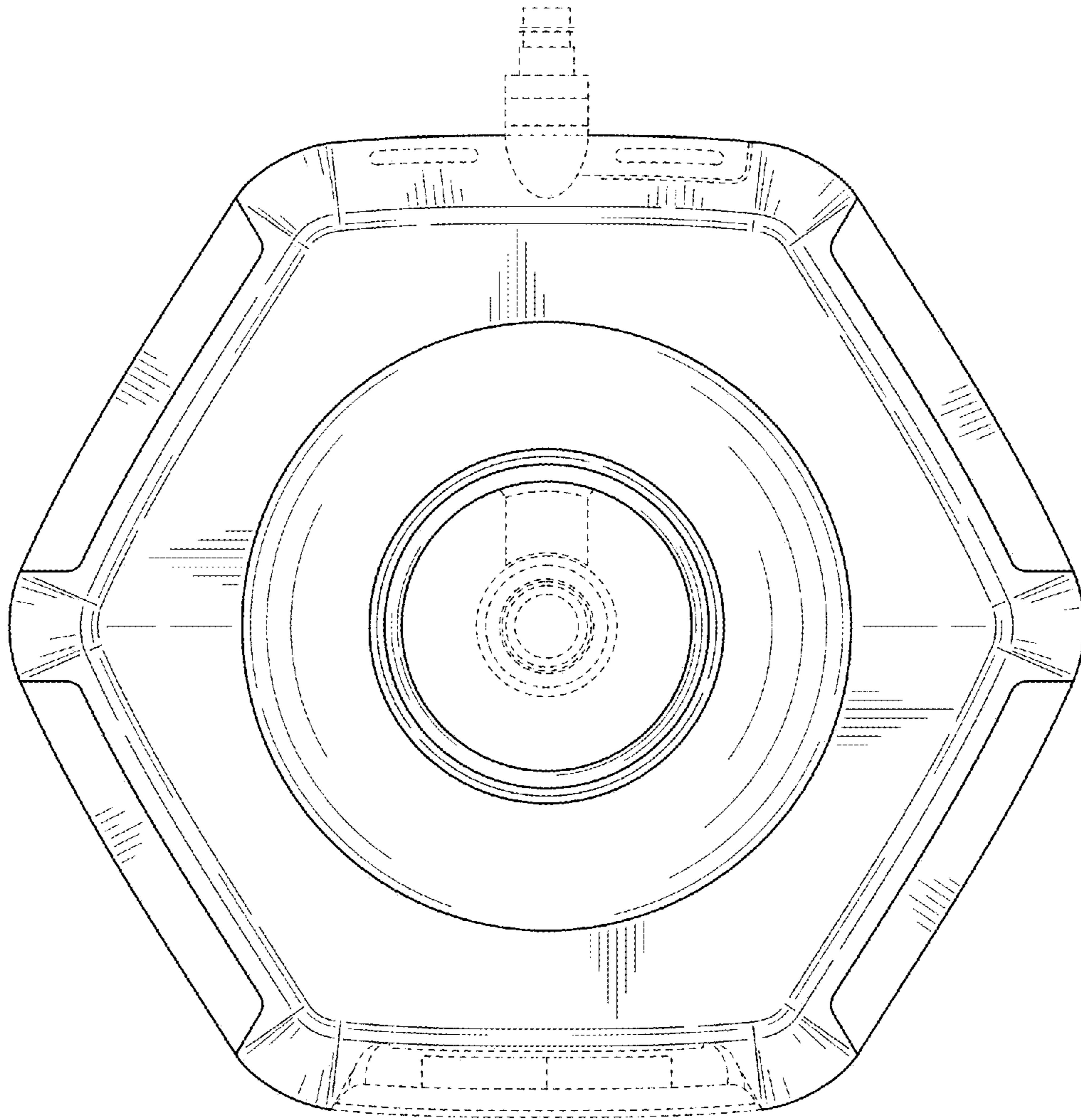


FIG. 7