



US00D766495S

(12) **United States Design Patent**
Eitan et al.

(10) **Patent No.:** **US D766,495 S**

(45) **Date of Patent:** **** Sep. 13, 2016**

(54) **LIGHT AND OPTIC MOUNT FOR A FIREARM**

D545,480 S * 6/2007 Guercio D26/118
D546,497 S * 7/2007 Lehman D26/138
7,270,341 B2 * 9/2007 Longworth B60G 7/001
280/124.11

(71) Applicant: **Magpul Industries Corporation**, Erie, CO (US)

(Continued)

(72) Inventors: **Yehezkel Eitan**, Johnstown, CO (US);
Michael T. Mayberry, Denver, CO (US)

OTHER PUBLICATIONS

GG&G 45 Degree Offset Accessory Rail, image post date Aug. 14, 2014, site visited Oct. 17, 2015, (online), <http://web.archive.org/web/20140814140837/http://www.primaryarms.com/Flashlight_Mounts_and_Accessories_s/329.htm>.*

(Continued)

(73) Assignee: **Magpul Industries Corporation**, Austin, TX (US)

(**) Term: **14 Years**

Primary Examiner — Kevin Rudzinski

Assistant Examiner — Sean D Lough

(21) Appl. No.: **29/502,110**

(74) *Attorney, Agent, or Firm* — Swanson & Bratschun, L.L.C.

(22) Filed: **Sep. 11, 2014**

(51) **LOC (10) Cl.** **26-99**

(52) **U.S. Cl.**
USPC **D26/113**

(58) **Field of Classification Search**

USPC D10/18, 21, 24, 25, 27, 28, 46, 93, 104,
D10/106, 113, 116.1, 121; D26/72, 118,
D26/120, 124, 138, 2, 89, 142

CPC A63H 30/04; G05G 2009/04748;
H04B 1/1027; F21S 8/04; F21S 2/005;
F21S 2/00; B29D 21/04; F21V 15/015;
F21V 27/00; F21V 21/14; F21V 21/005;
F21Y 2103/00; F41C 27/00; F41C 33/0254

See application file for complete search history.

(57) **CLAIM**

The ornamental design for the light and optic mount for a firearm, as shown and described.

DESCRIPTION

FIG. 1 is a front, right perspective view of a light and optic mount for a firearm showing our new design;

FIG. 2 is a back, right perspective view of the light and optic mount for a firearm of FIG. 1;

FIG. 3 is a front elevation view of the light and optic mount for a firearm of FIG. 1;

FIG. 4 is a back elevation view of the light and optic mount for a firearm of FIG. 1;

FIG. 5 is a right elevation view of the light and optic mount for a firearm of FIG. 1;

FIG. 6 is a left elevation view of the light and optic mount for a firearm of FIG. 1;

FIG. 7 is a top plan view of the light and optic mount for a firearm of FIG. 1; and,

FIG. 8 is a bottom plan view of the light and optic mount for a firearm of FIG. 1.

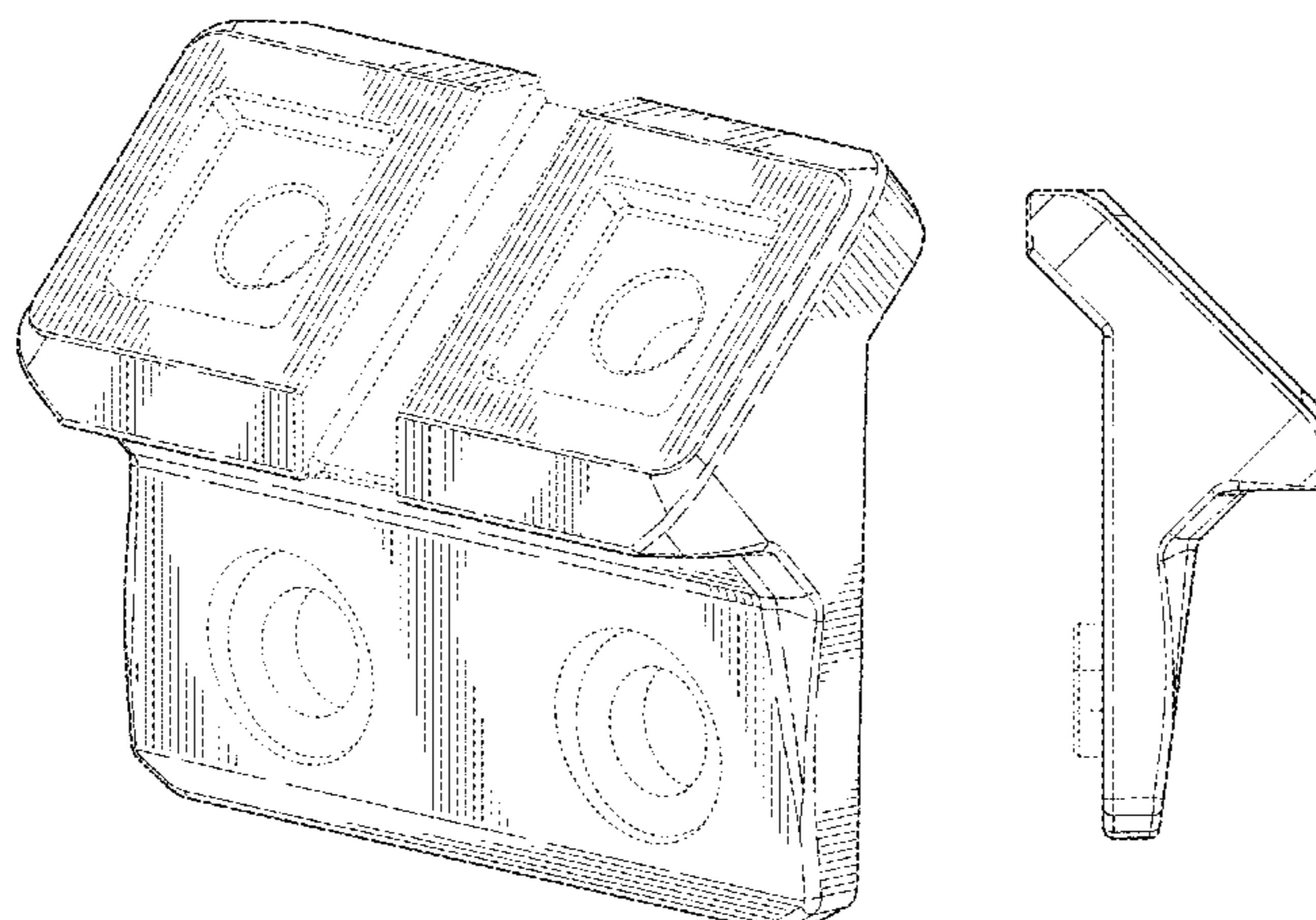
The broken lines (where present) in all figures illustrate portions of the light and optic mount for a firearm that form no part of the claimed design.

(56) **References Cited**

U.S. PATENT DOCUMENTS

D255,726 S * 7/1980 Leuthesser D10/114.1
D265,765 S * 8/1982 Hawkins D20/42
5,464,232 A * 11/1995 Chizmadia B23B 31/16275
269/262
5,467,909 A * 11/1995 Resca F41C 33/0245
224/193
5,622,295 A * 4/1997 Hellweg F41C 33/0236
224/193
D379,548 S * 5/1997 Johnson D26/128
D380,853 S * 7/1997 Johnson D26/128
D491,689 S * 6/2004 Krieger D26/138

1 Claim, 5 Drawing Sheets



(56)

References Cited

U.S. PATENT DOCUMENTS

D571,951 S * 6/2008 Melzner D26/138
 D607,142 S * 12/2009 Alvarez D26/118
 D619,285 S * 7/2010 Cristoforo D26/38
 D636,927 S * 4/2011 Lin D26/138
 D641,548 S * 7/2011 Zusman D3/222
 8,015,744 B1 * 9/2011 Swan F41G 1/065
 42/133
 8,132,355 B1 * 3/2012 Kincaid F41C 33/0254
 362/110
 D663,889 S * 7/2012 Alvarez D26/138
 D664,707 S * 7/2012 Toft D26/142
 D665,043 S * 8/2012 Fitzpatrick D22/108
 D667,159 S * 9/2012 Wauters D26/85
 D673,719 S * 1/2013 Yeh D26/118
 D675,281 S * 1/2013 Speroni D22/109
 D687,442 S * 8/2013 Nishimura D14/447
 D689,760 S * 9/2013 Chen D8/354
 D691,236 S * 10/2013 Fitzpatrick D22/108
 D694,466 S * 11/2013 Kjaergaard D26/142
 D695,952 S * 12/2013 Gordin D26/120
 D701,992 S * 4/2014 von Zittwitz D26/118
 D702,798 S * 4/2014 Booth D22/108
 D707,323 S * 6/2014 Claeys D22/108
 D710,480 S * 8/2014 Fitzpatrick D22/108
 D710,965 S * 8/2014 Eitan D22/108
 D711,561 S * 8/2014 Redpath D26/24
 8,806,797 B1 * 8/2014 Petersen F41G 11/004
 42/90

D715,261 S * 10/2014 Lee D14/215
 D720,422 S * 12/2014 Fitzpatrick D22/108
 D735,926 S * 8/2015 Holley D26/113
 D736,339 S * 8/2015 Fitzpatrick D22/109
 D736,452 S * 8/2015 Huang D26/120
 D737,134 S * 8/2015 Thompson D8/396
 9,121,662 B1 * 9/2015 Love F41C 27/00
 9,140,520 B2 * 9/2015 Lopes F41C 23/16
 2005/0268518 A1 * 12/2005 Pikielny F41C 33/0209
 42/90
 2009/0255161 A1 * 10/2009 Fitzpatrick F41C 27/00
 42/90
 2010/0139144 A1 * 6/2010 Fitzpatrick F41A 11/02
 42/73
 2011/0067287 A1 * 3/2011 Collin F41G 11/003
 42/119
 2011/0113663 A1 * 5/2011 Nakayama F41A 9/70
 42/50
 2012/0091173 A1 * 4/2012 Crye F41A 9/65
 224/196
 2012/0180370 A1 * 7/2012 McKinley F41G 1/02
 42/146
 2015/0198406 A1 * 7/2015 Ling F41G 11/003
 42/90

OTHER PUBLICATIONS

MLOK Offset Light-Optic Ploy Mount , image post date 2005, site visited Oct. 17, 2015, (online), <<http://www.night-optics.com/magpul-mlok-offset-light-optic-ploy-mount.html>>.*

* cited by examiner

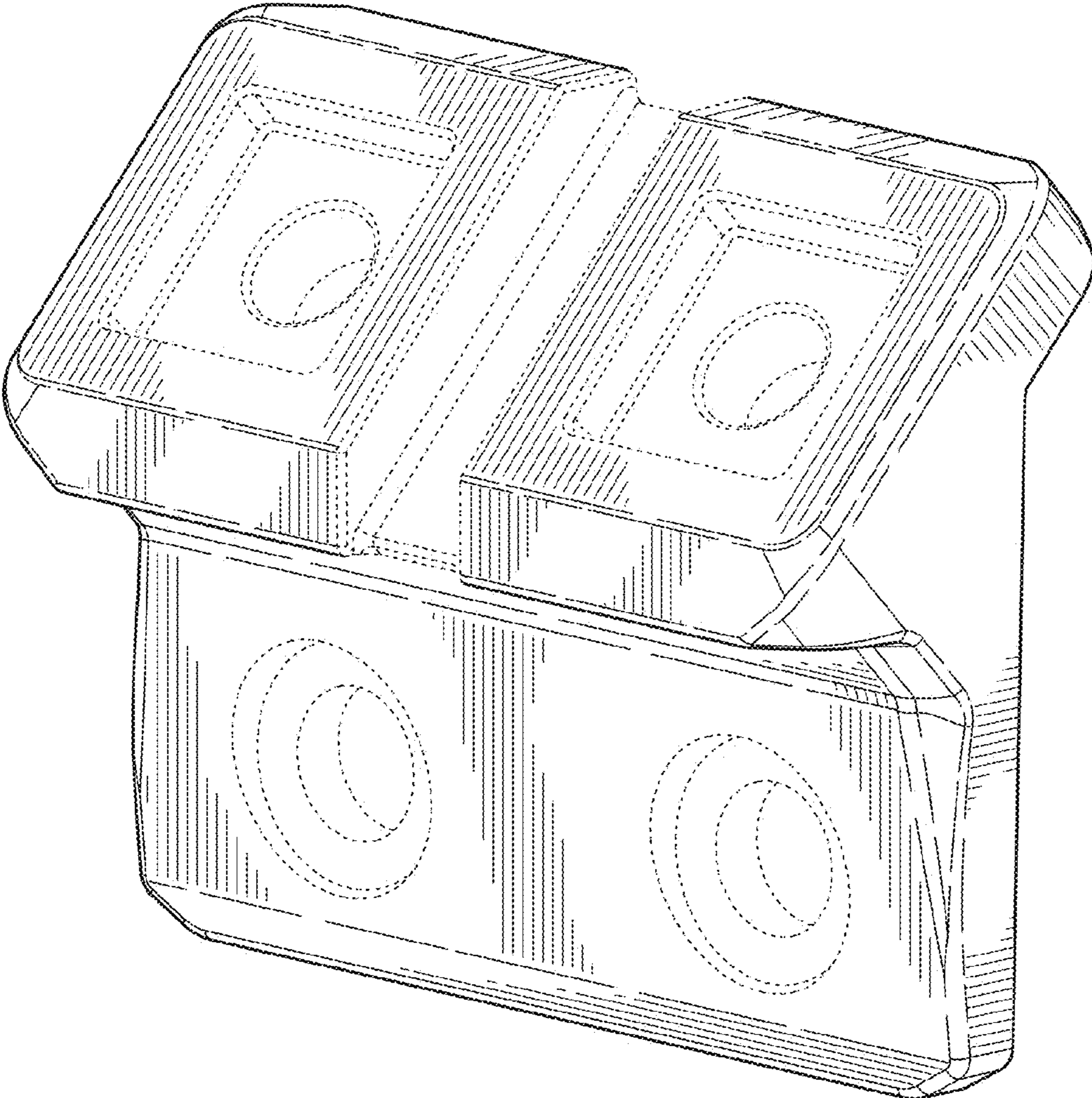


FIG. 1

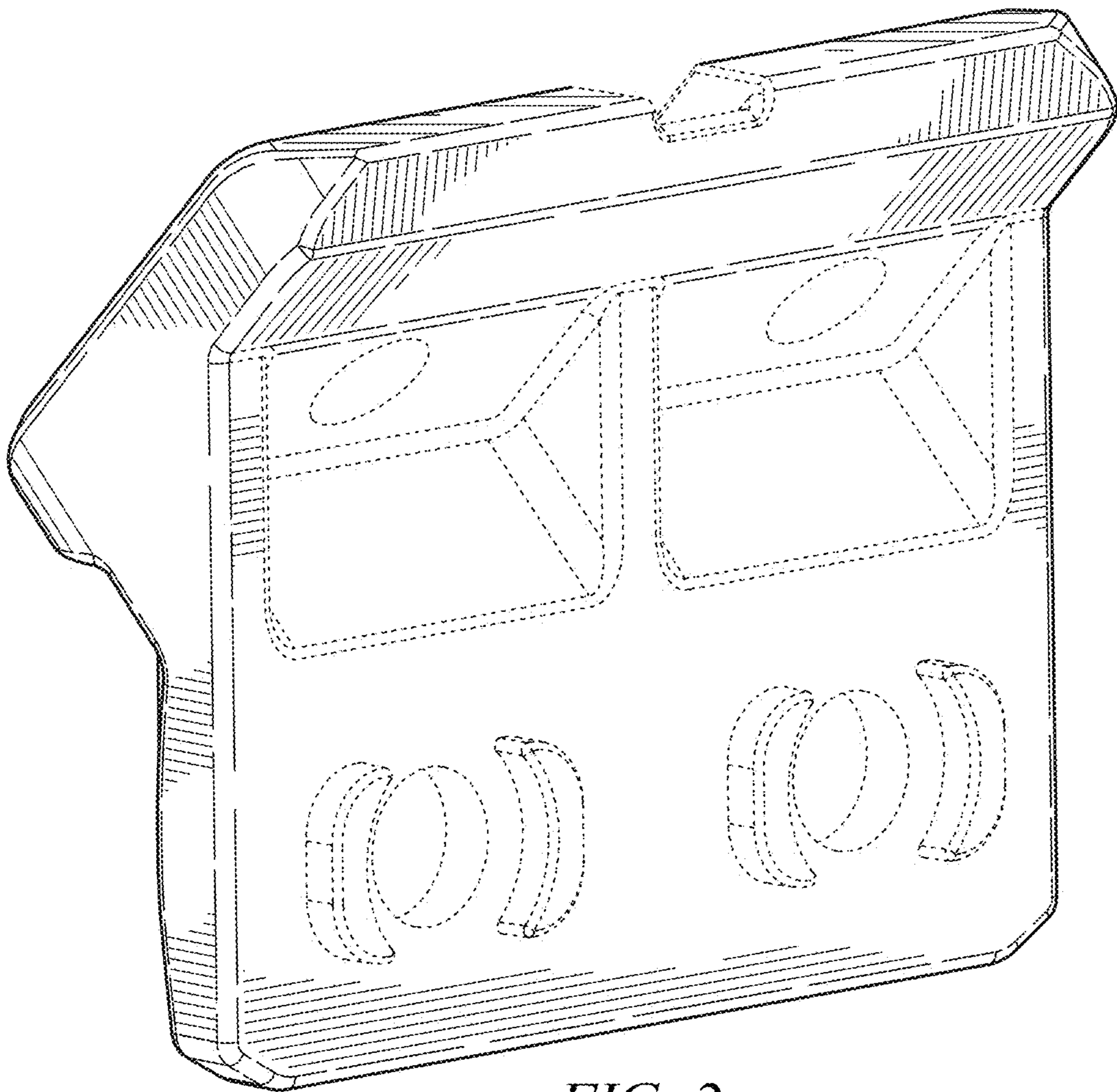


FIG. 2

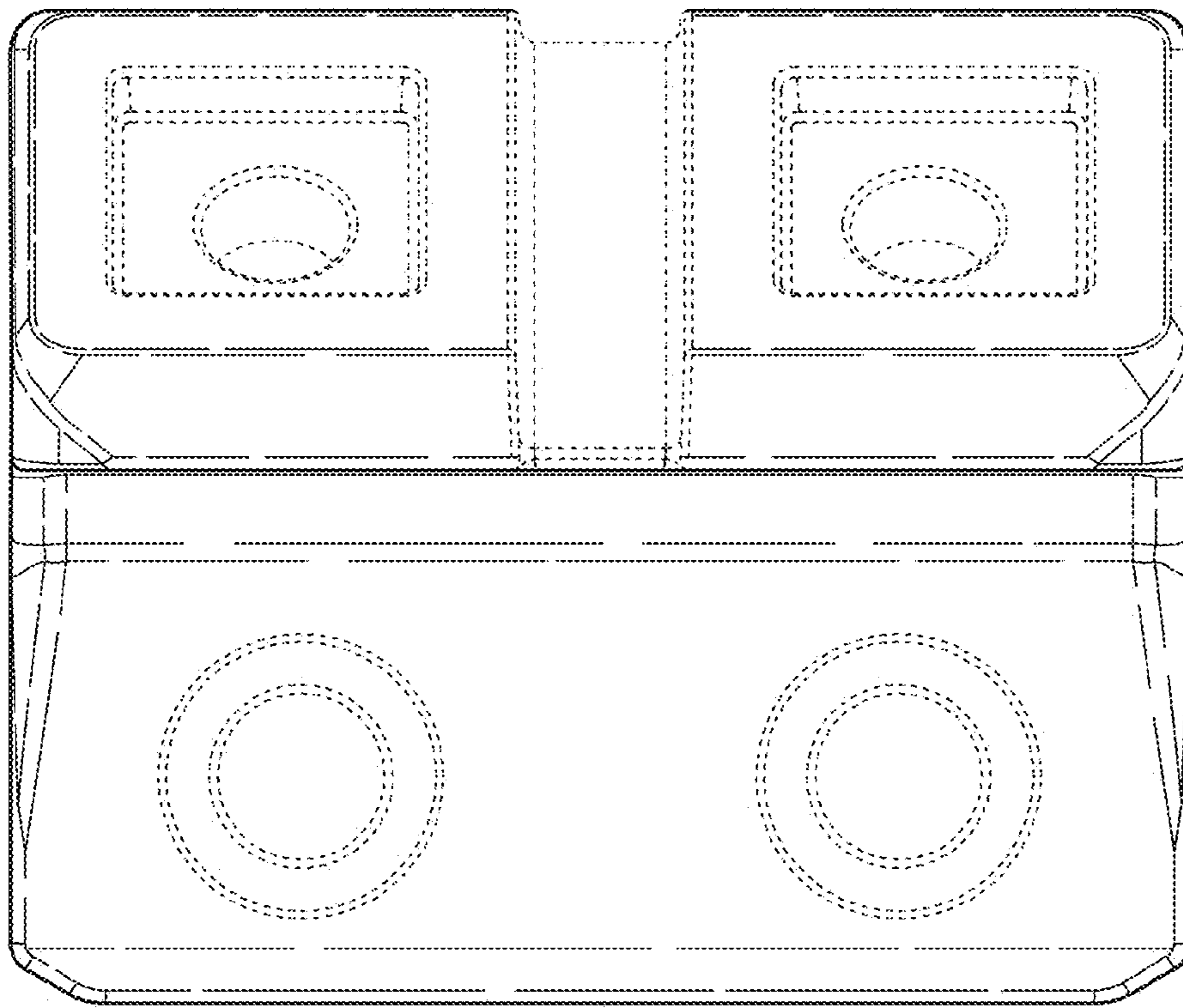


FIG. 3

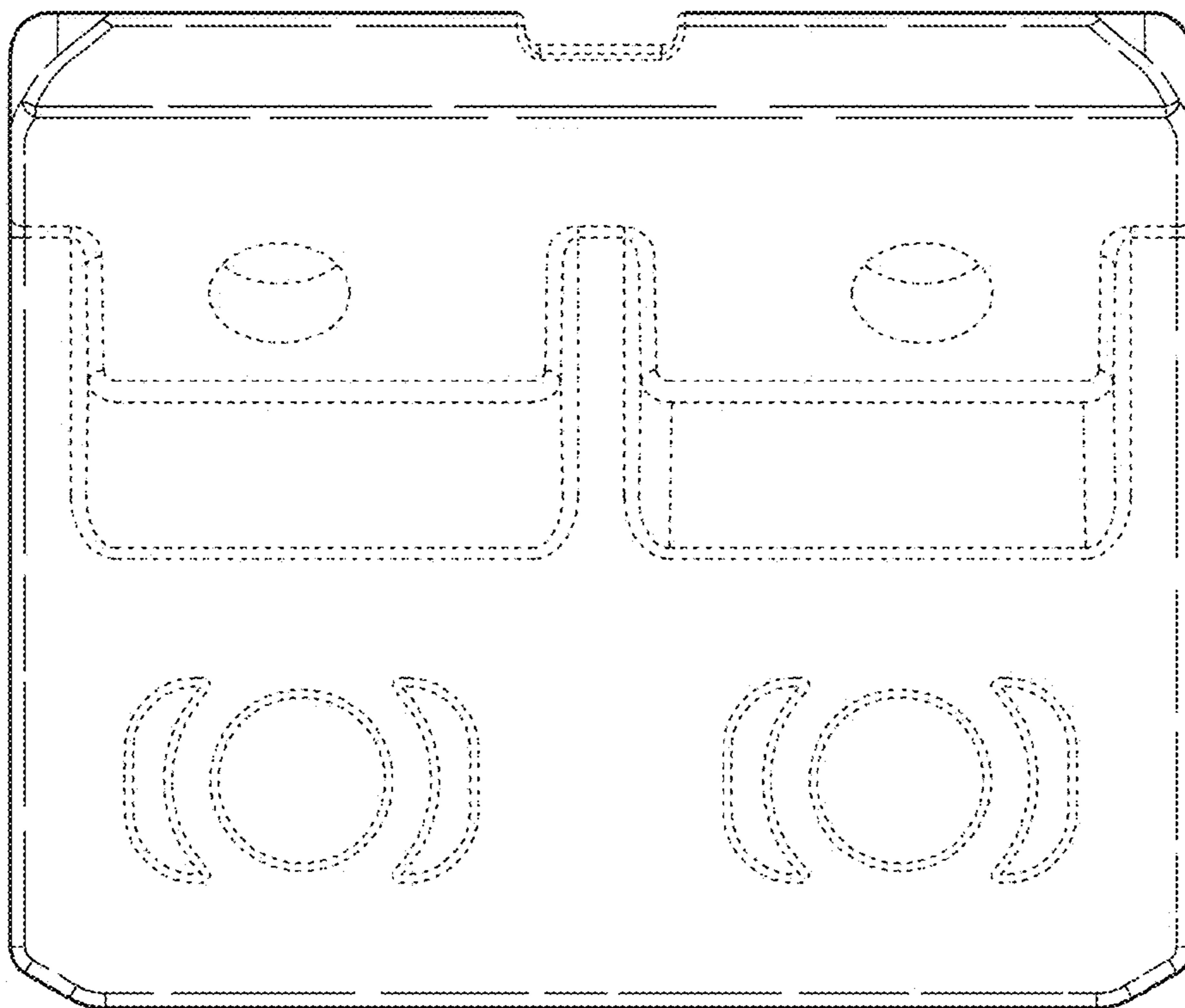


FIG. 4

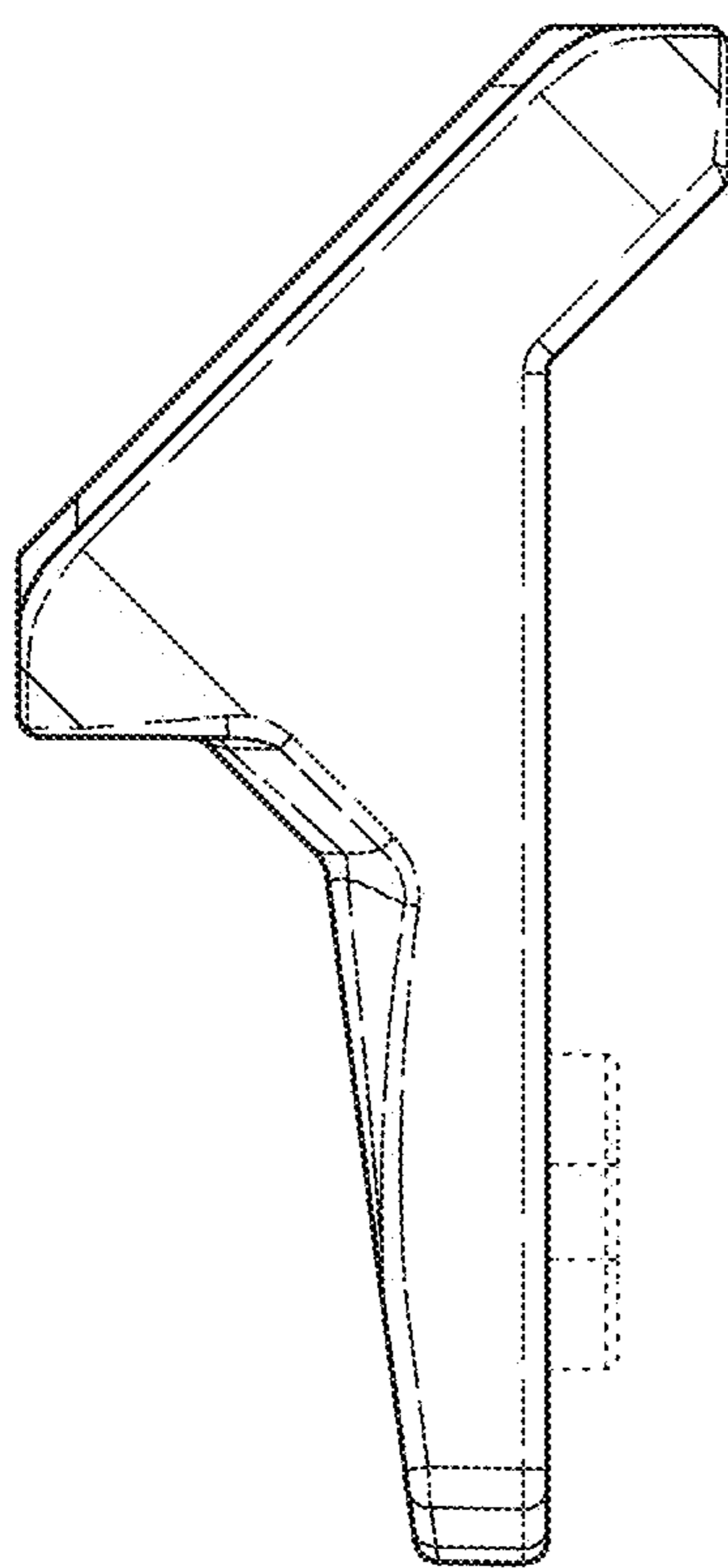


FIG. 5

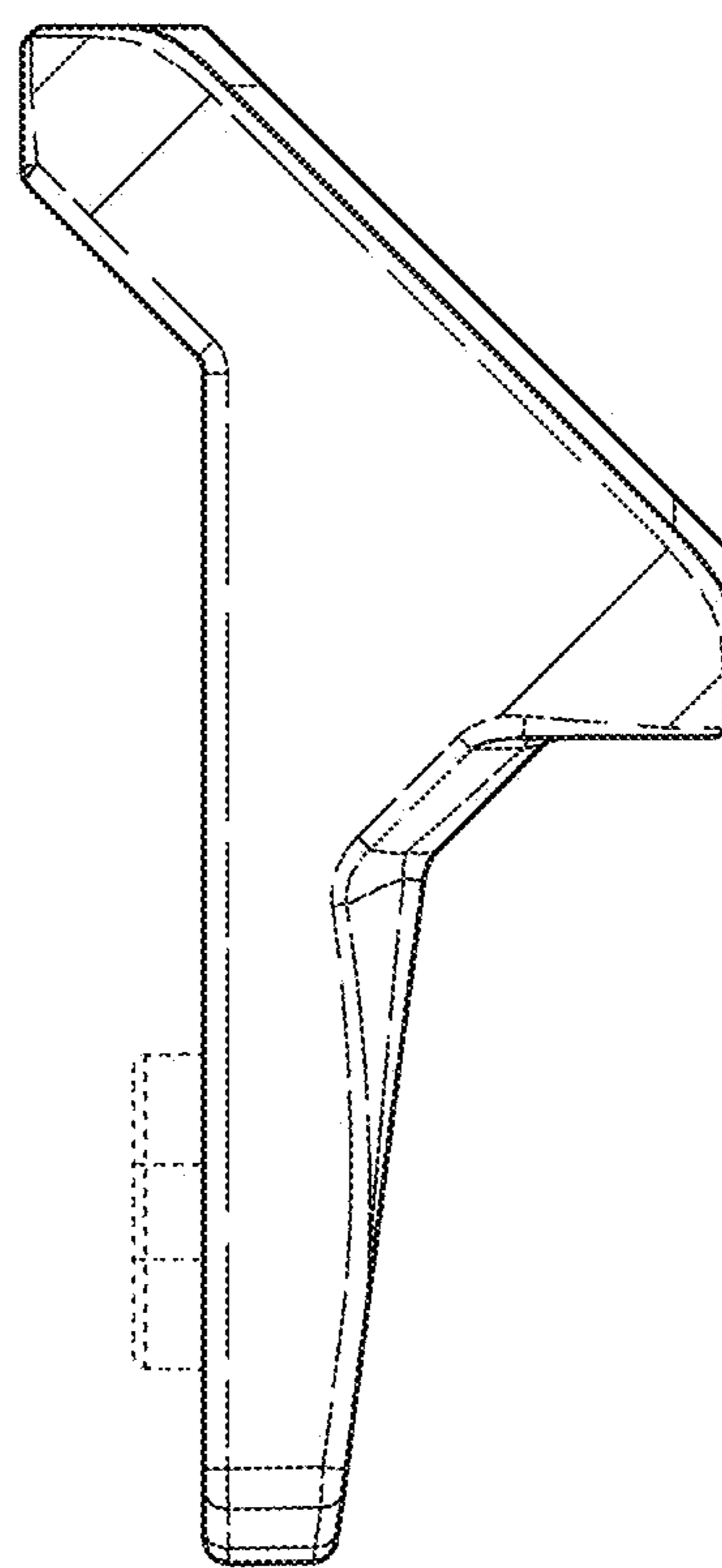


FIG. 6

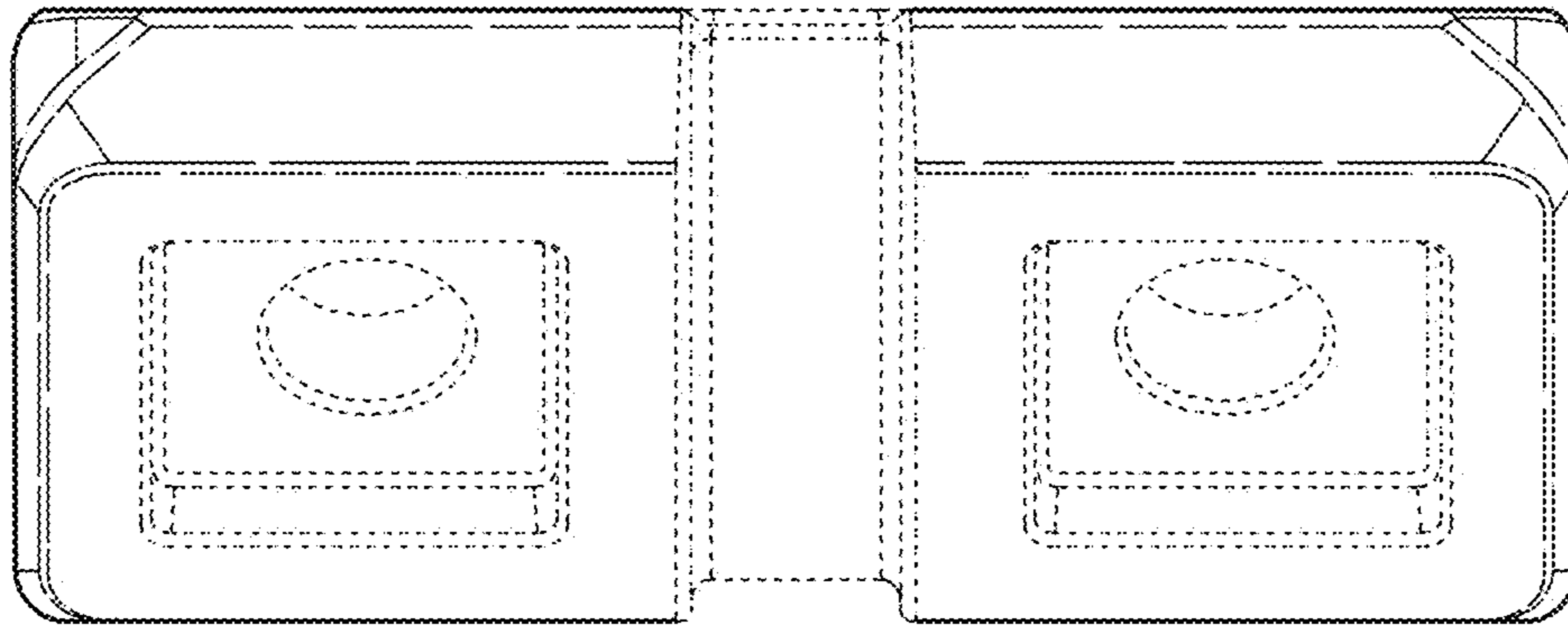


FIG. 7

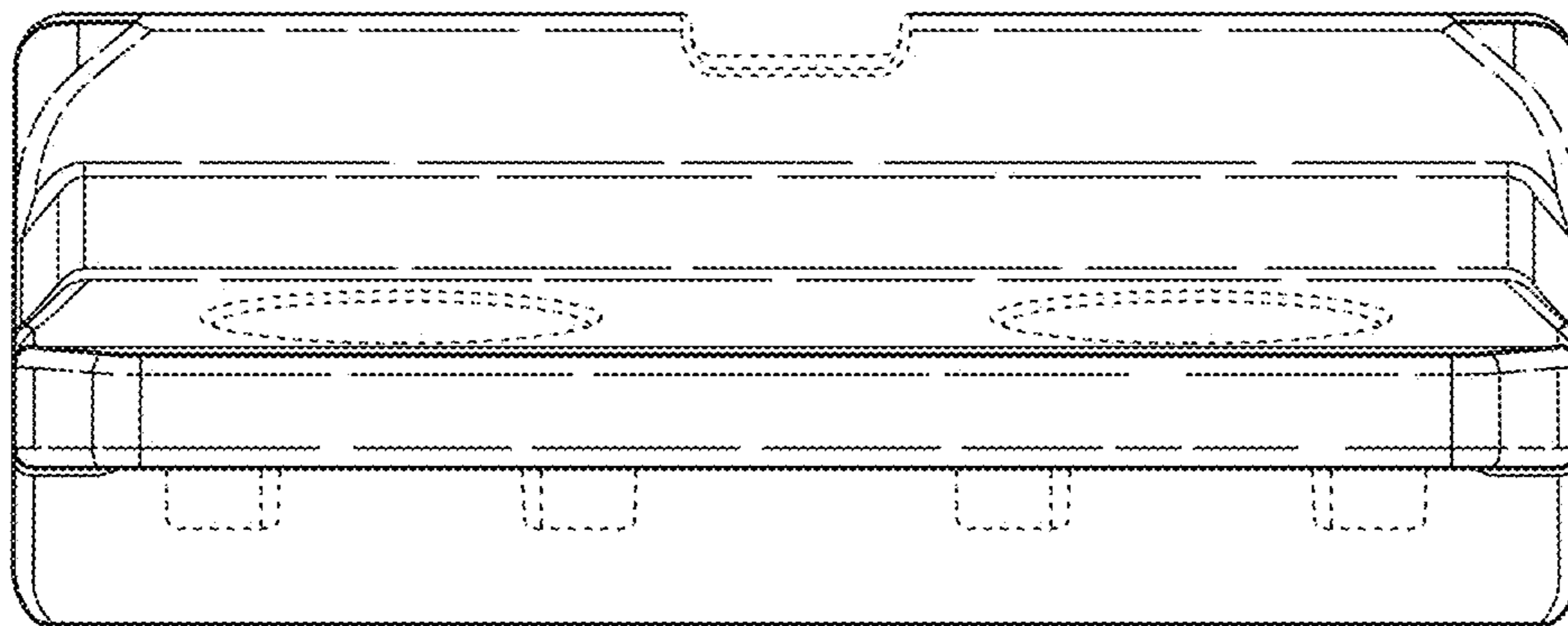


FIG. 8