

US00D766493S

(12) **United States Design Patent** (10) **Patent No.:** **US D766,493 S**  
**Hoshikawa** (45) **Date of Patent:** **\*\* Sep. 13, 2016**

(54) **LIGHT STAND WITH CHARGER**

D534,300 S \* 12/2006 Eikelenboom ..... D26/107  
D580,578 S \* 11/2008 Chien ..... D26/63  
D717,289 S \* 11/2014 Takabatake ..... D14/252

(71) Applicant: **Trinity, Inc.**, Niiza-shi, Saitama-ken (JP)

\* cited by examiner

(72) Inventor: **Tetsushi Hoshikawa**, Niiza (JP)

*Primary Examiner* — Brian N Vinson

(73) Assignee: **TRINITY, INC.**, Niiza-Shi (JP)

(74) *Attorney, Agent, or Firm* — Fitzpatrick, Cella, Harper & Scinto

(\*\*) Term: **14 Years**

(21) Appl. No.: **29/524,903**

(57) **CLAIM**

(22) Filed: **Apr. 24, 2015**

The ornamental design for a light stand with charger, as shown and described.

(30) **Foreign Application Priority Data**

Oct. 24, 2014 (JP) ..... 2014-023867

(51) **LOC (10) Cl.** ..... **26-03**

(52) **U.S. Cl.**  
USPC ..... **D26/107; D26/51**

(58) **Field of Classification Search**  
USPC ..... D26/1, 24, 51, 93, 106, 107, 110;  
D13/107; D14/251-252  
CPC ..... F21S 6/002; F21S 8/08; F21V 21/02;  
F21W 2131/30  
See application file for complete search history.

(56) **References Cited**

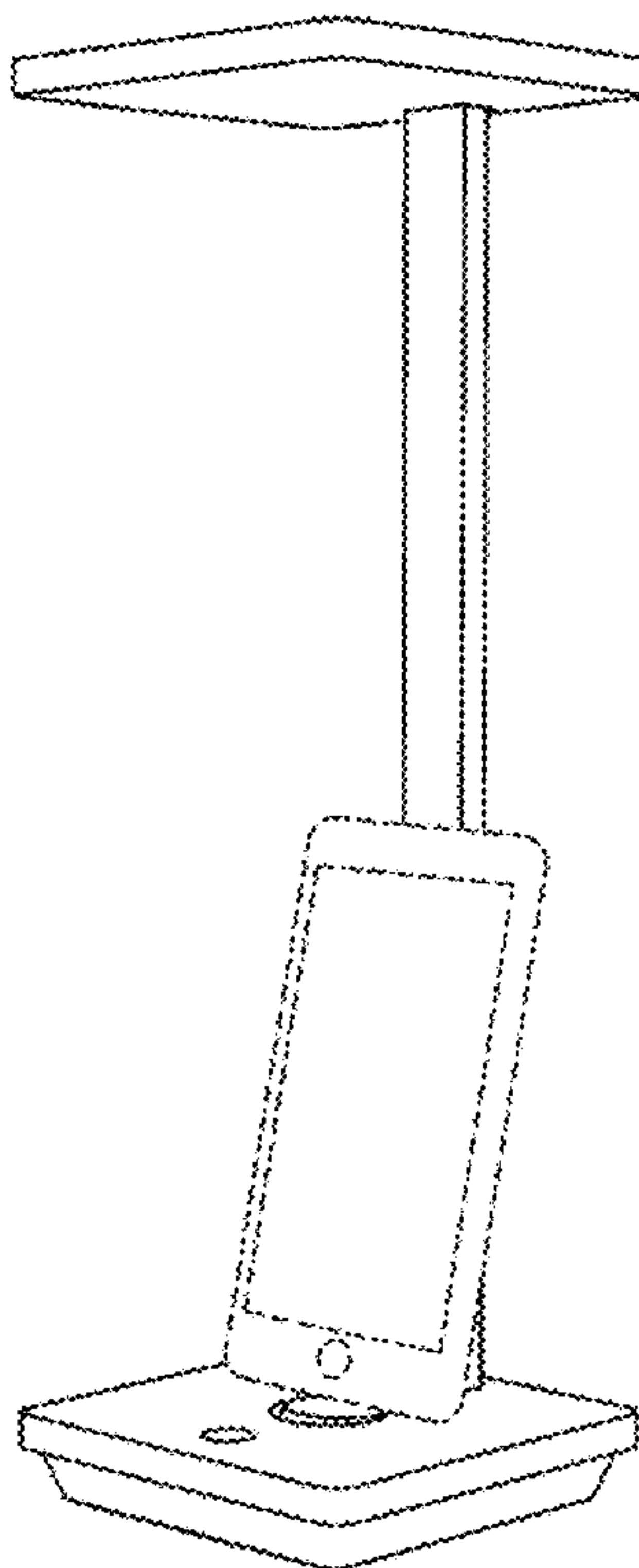
**U.S. PATENT DOCUMENTS**

D203,215 S \* 12/1965 Koch ..... D26/64  
D411,639 S \* 6/1999 Yang ..... D26/63

**DESCRIPTION**

FIG. 1 is a front elevational view of a light stand with charger showing my new design;  
FIG. 2 is a rear elevational view thereof;  
FIG. 3 is a right side elevational view thereof;  
FIG. 4 is a top plan view thereof;  
FIG. 5 is a bottom plan view thereof  
FIG. 6 is a horizontal cross-sectional view thereof,taken in the direction of line A-A of FIG. 1;  
FIG. 7 is a front and right side perspective view thereof; and,  
FIG. 8 is an additional front and right side perspective view thereof, with the broken line disclosure of an electronic device being for illustrative purposes only and forming no part of the claimed design.

**1 Claim, 8 Drawing Sheets**



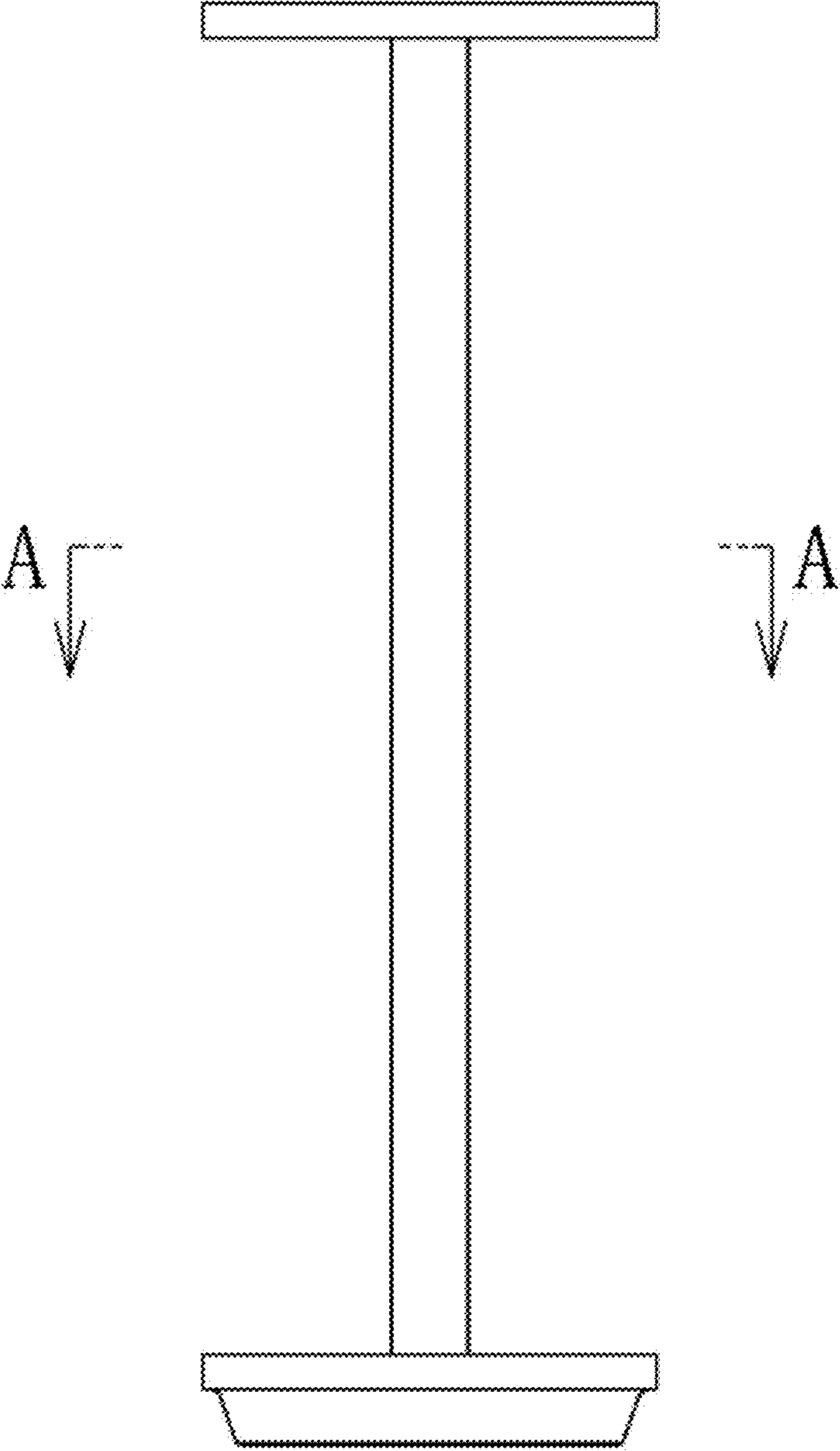


Fig. 1

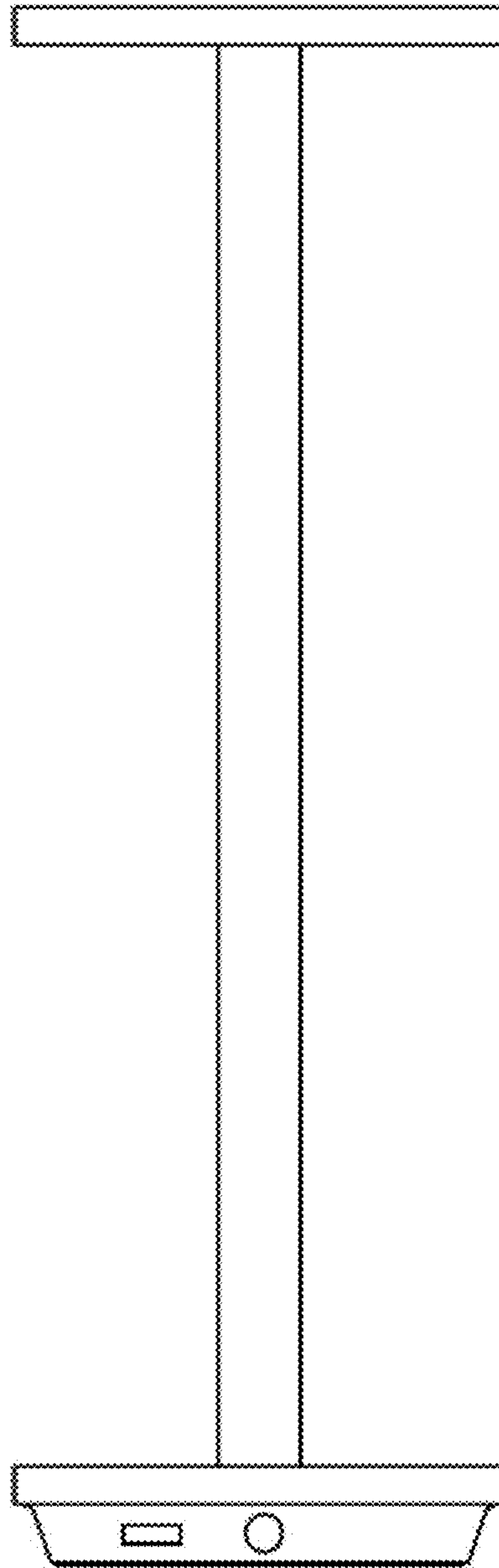


Fig. 2

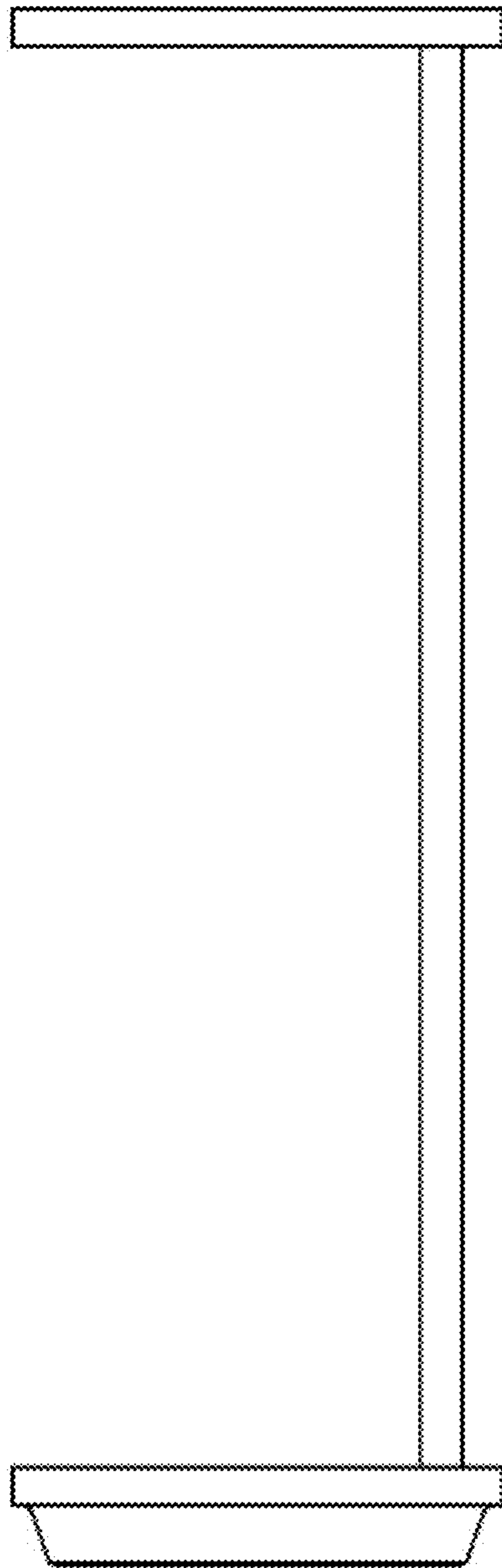


Fig. 3

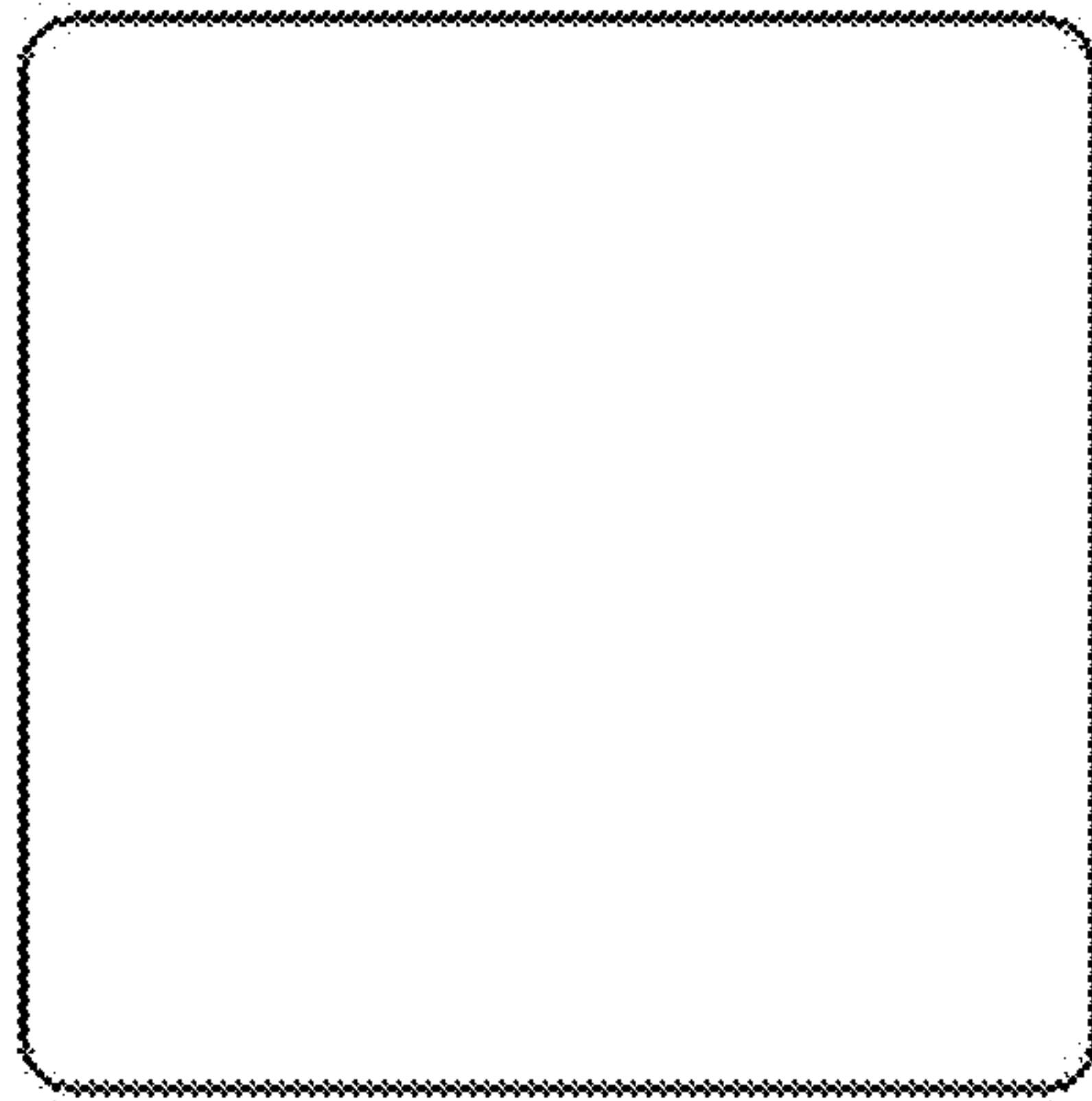


Fig. 4

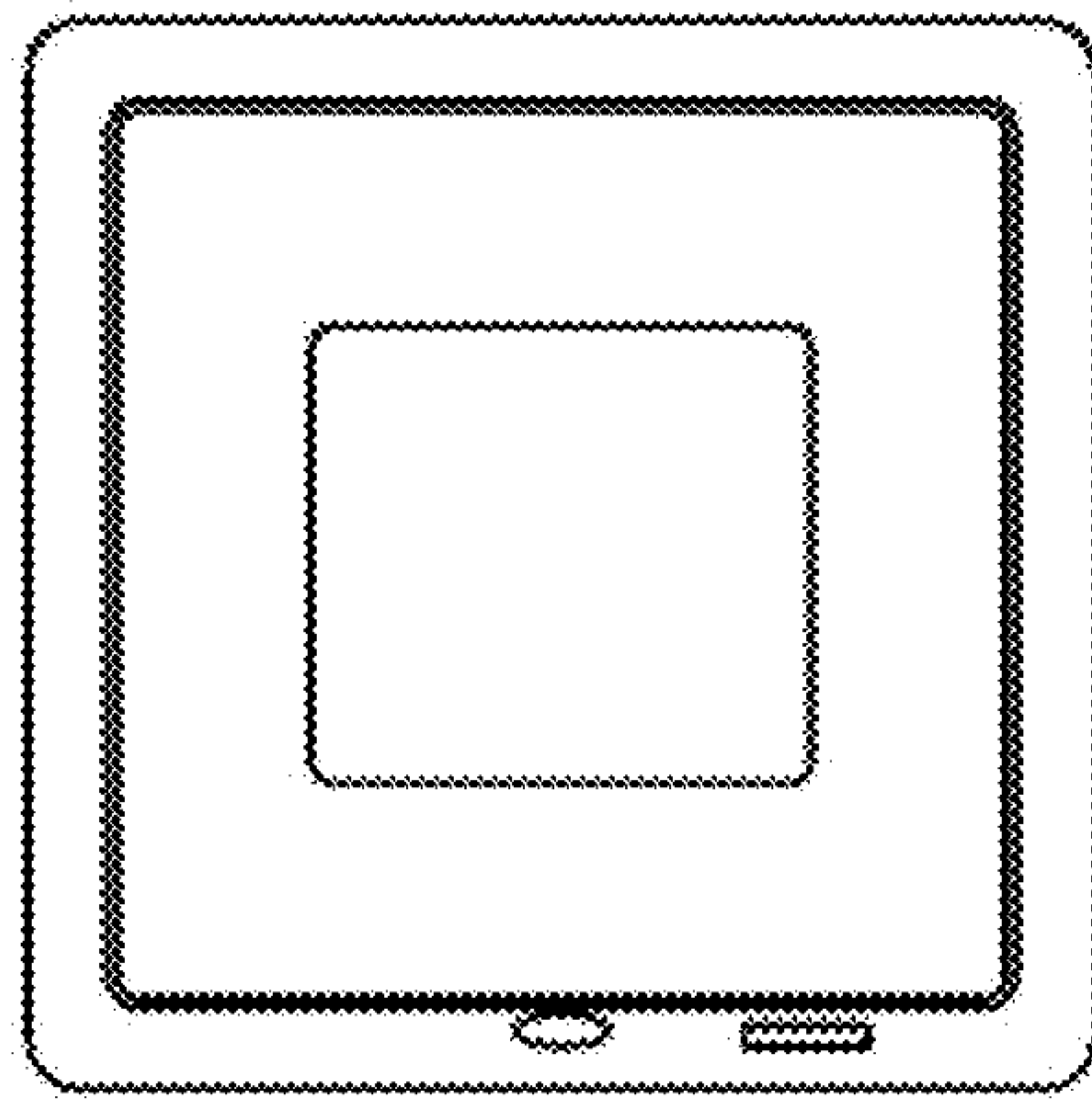


Fig. 5

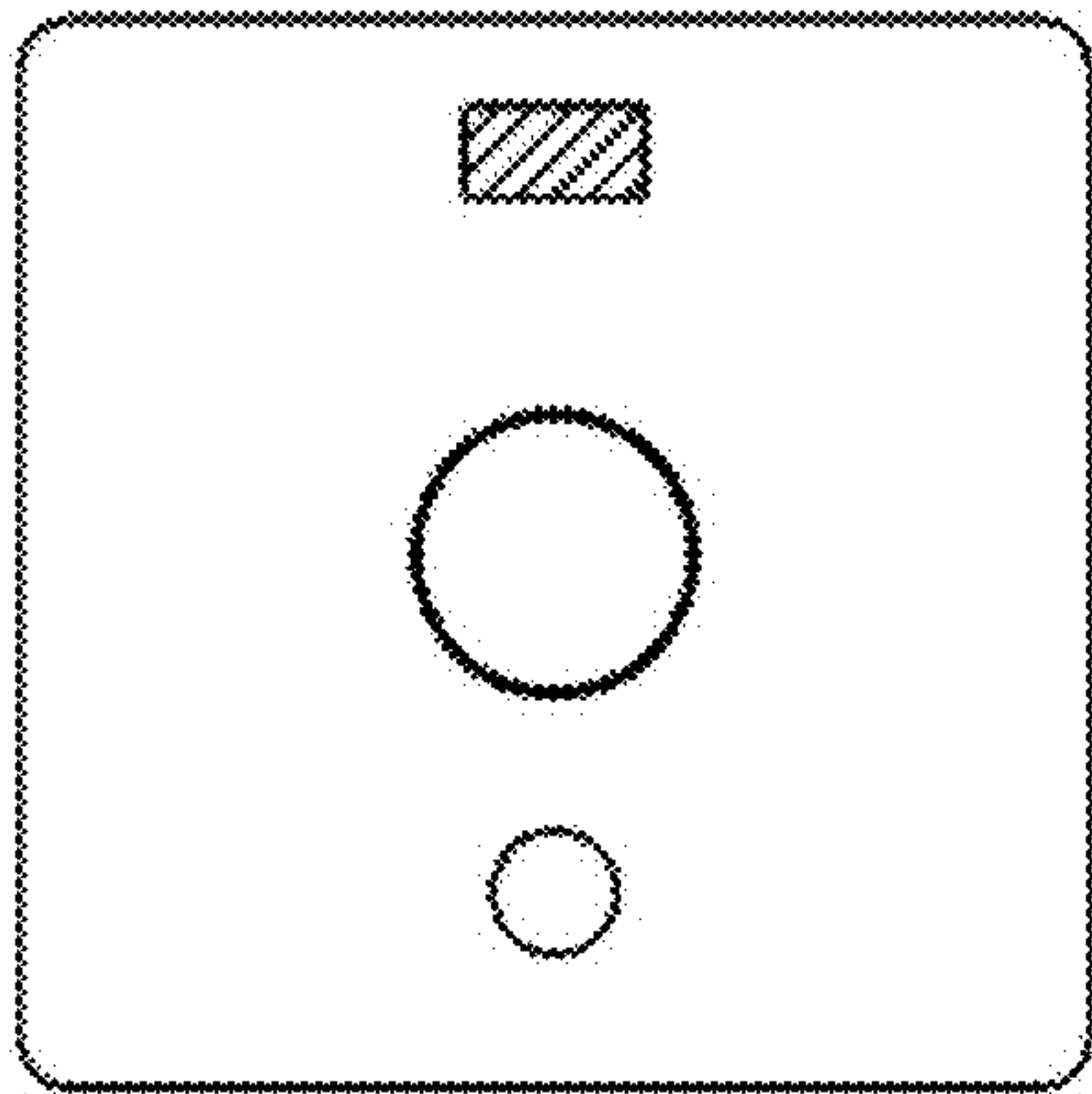


Fig. 6

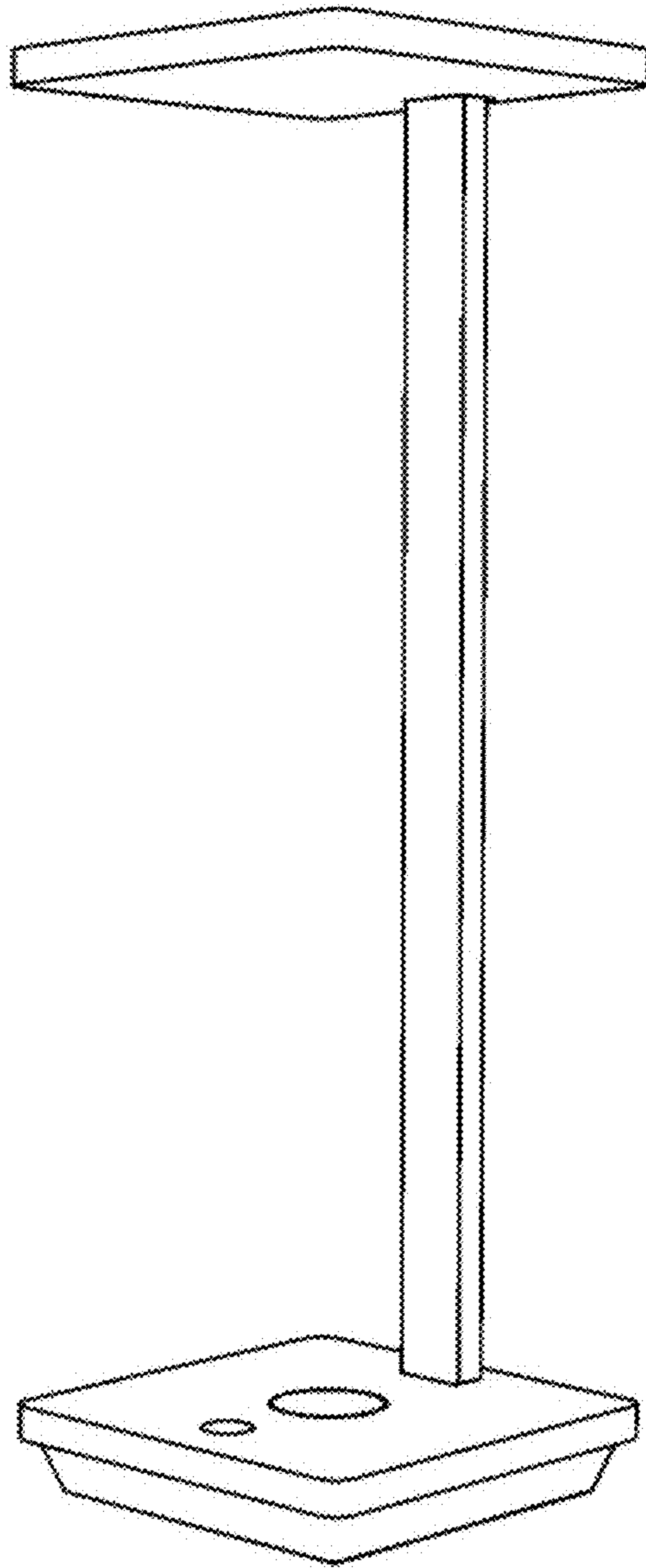


Fig. 7



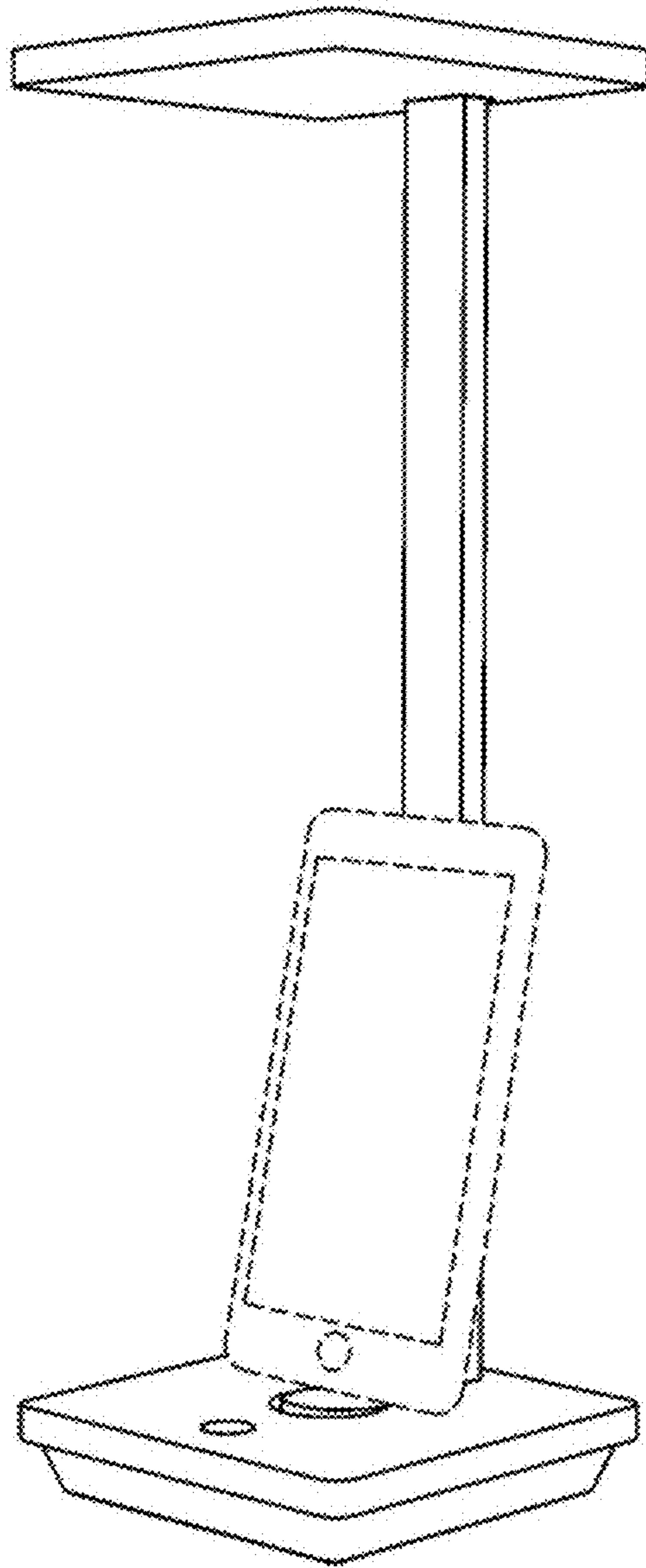


Fig. 8