



US00D766492S

(12) **United States Design Patent**
Yang

(10) **Patent No.:** **US D766,492 S**

(45) **Date of Patent:** **** Sep. 13, 2016**

(54) **AREA LIGHT**

(71) Applicant: **Jerry S. C. Yang**, Taichung (TW)

(72) Inventor: **Jerry S. C. Yang**, Taichung (TW)

(**) Term: **15 Years**

(21) Appl. No.: **29/543,467**

(22) Filed: **Oct. 23, 2015**

(51) **LOC (10) Cl.** **26-03**

(52) **U.S. Cl.**
USPC **D26/92**

(58) **Field of Classification Search**
USPC D26/71, 72, 87, 92
CPC F21S 8/03; F21S 8/033; F21S 8/036;
F21S 13/02; F21V 29/76
See application file for complete search history.

(56) **References Cited**

U.S. PATENT DOCUMENTS

D192,041 S *	1/1962	Izzi	D26/71
D194,991 S *	4/1963	Hisky	D26/71
3,175,081 A *	3/1965	Schaefer	F21S 8/033 16/260
D201,909 S *	8/1965	Harling	D26/71
D203,217 S *	12/1965	Greenhaw	D26/71
D205,411 S *	8/1966	Pettengill	D26/71
D206,240 S *	11/1966	Rutter	D26/71
4,782,435 A *	11/1988	Manzoni	F21S 8/033 16/348

D347,080 S *	5/1994	Mehaffey	D26/71
D556,357 S *	11/2007	Butler	D26/71
D666,351 S *	8/2012	Tsao	D26/71
D711,034 S *	8/2014	Sturgis	D26/71

* cited by examiner

Primary Examiner — Clare E Heflin

(74) *Attorney, Agent, or Firm* — Pai Patent & Trademark Law Firm; Chao-Chang David Pai

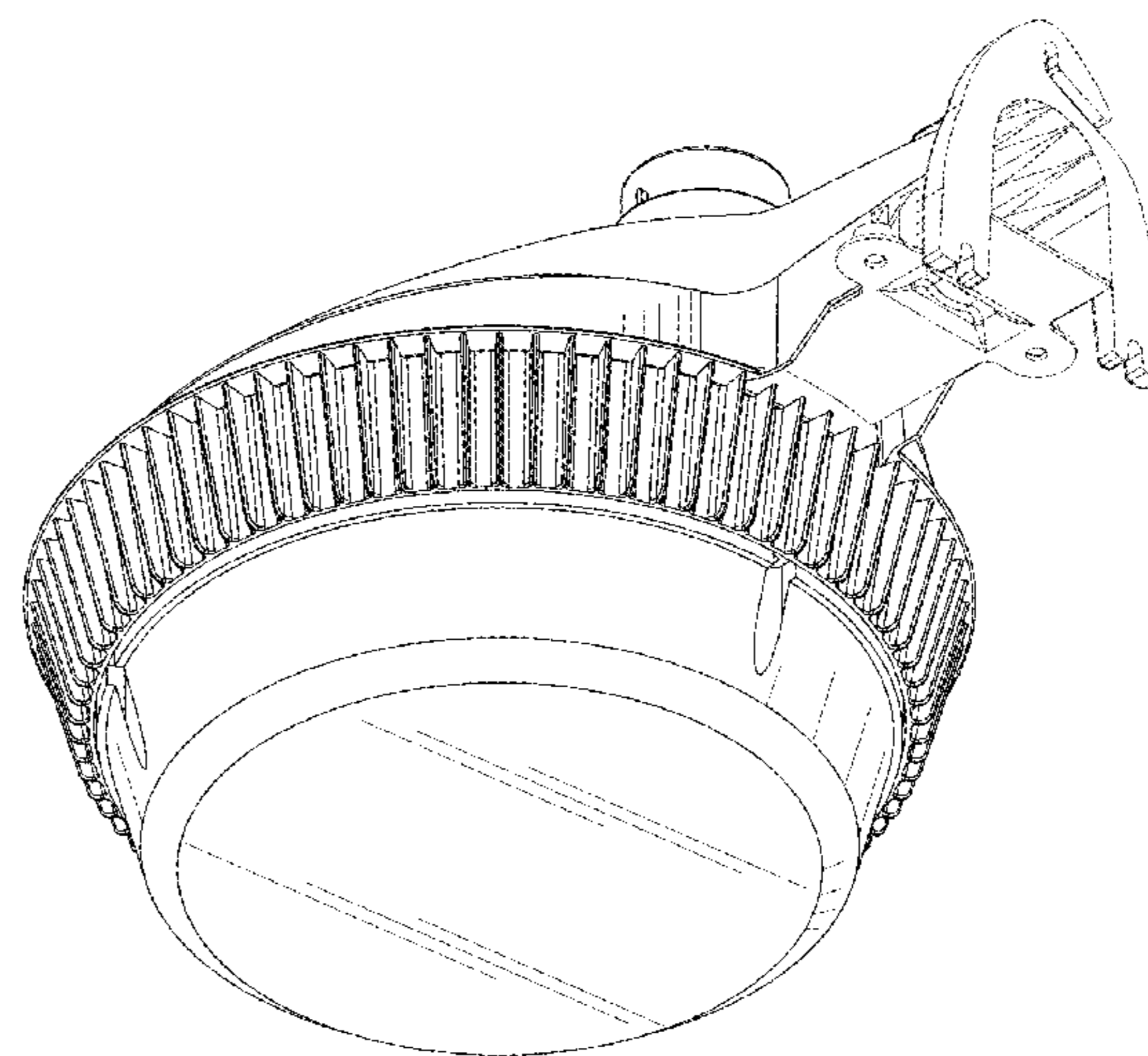
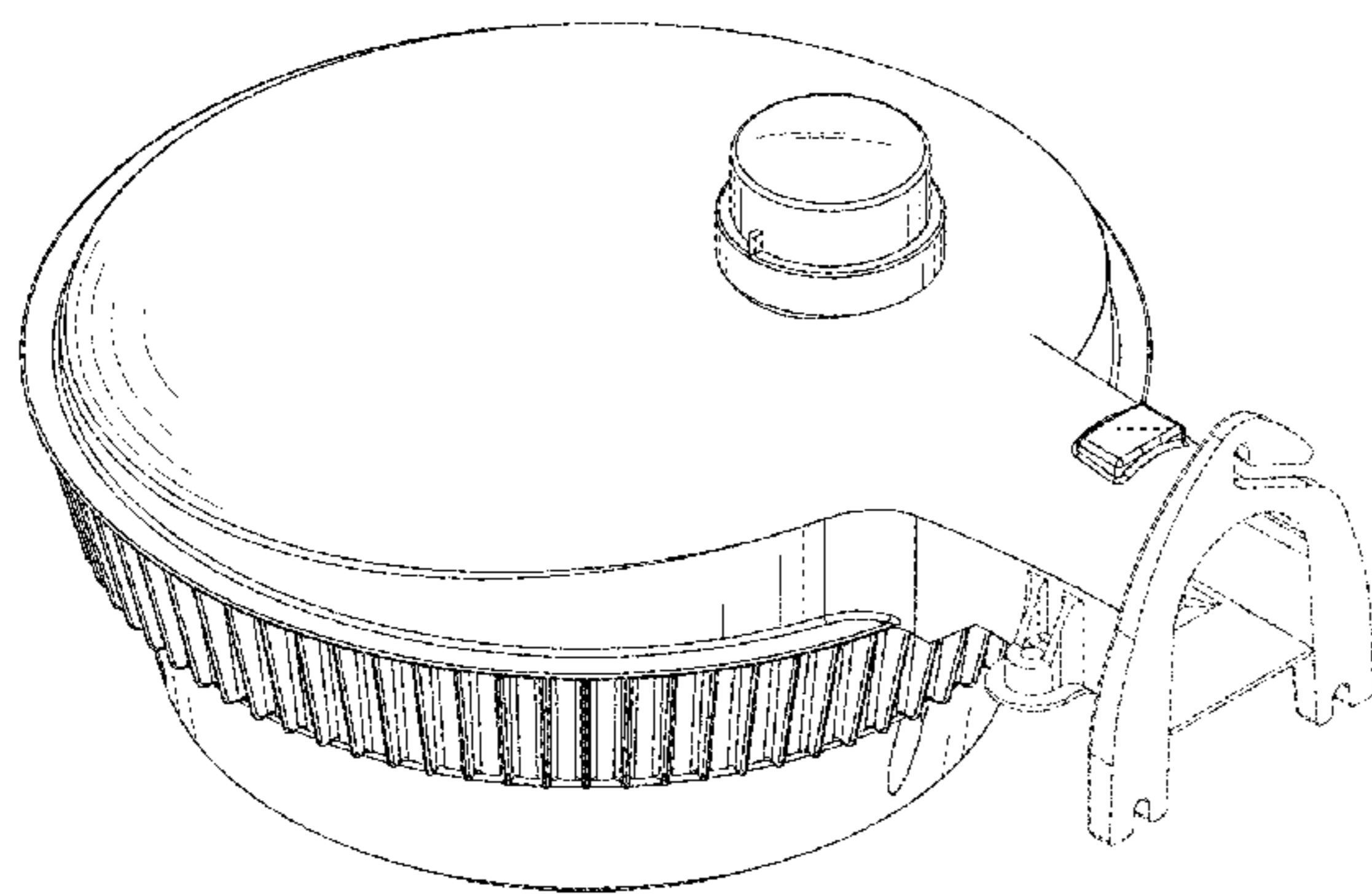
(57) **CLAIM**

The ornamental design for an area light, as shown and described.

DESCRIPTION

FIG. 1 is a right side perspective view of an area light, showing my new design;
FIG. 2 is a front elevational view thereof;
FIG. 3 is a rear elevational view thereof;
FIG. 4 is a left side elevational view thereof;
FIG. 5 is a right side elevational view thereof;
FIG. 6 is a top plan view thereof;
FIG. 7 is a bottom plan view thereof;
FIG. 8 is a front bottom perspective view thereof;
FIG. 9 is a rear top perspective view thereof; and,
FIG. 10 is a rear bottom perspective view thereof.
The broken lines showing the connection hardware for the area light are included for illustrative purposes only and form no part of the claimed design.

1 Claim, 8 Drawing Sheets



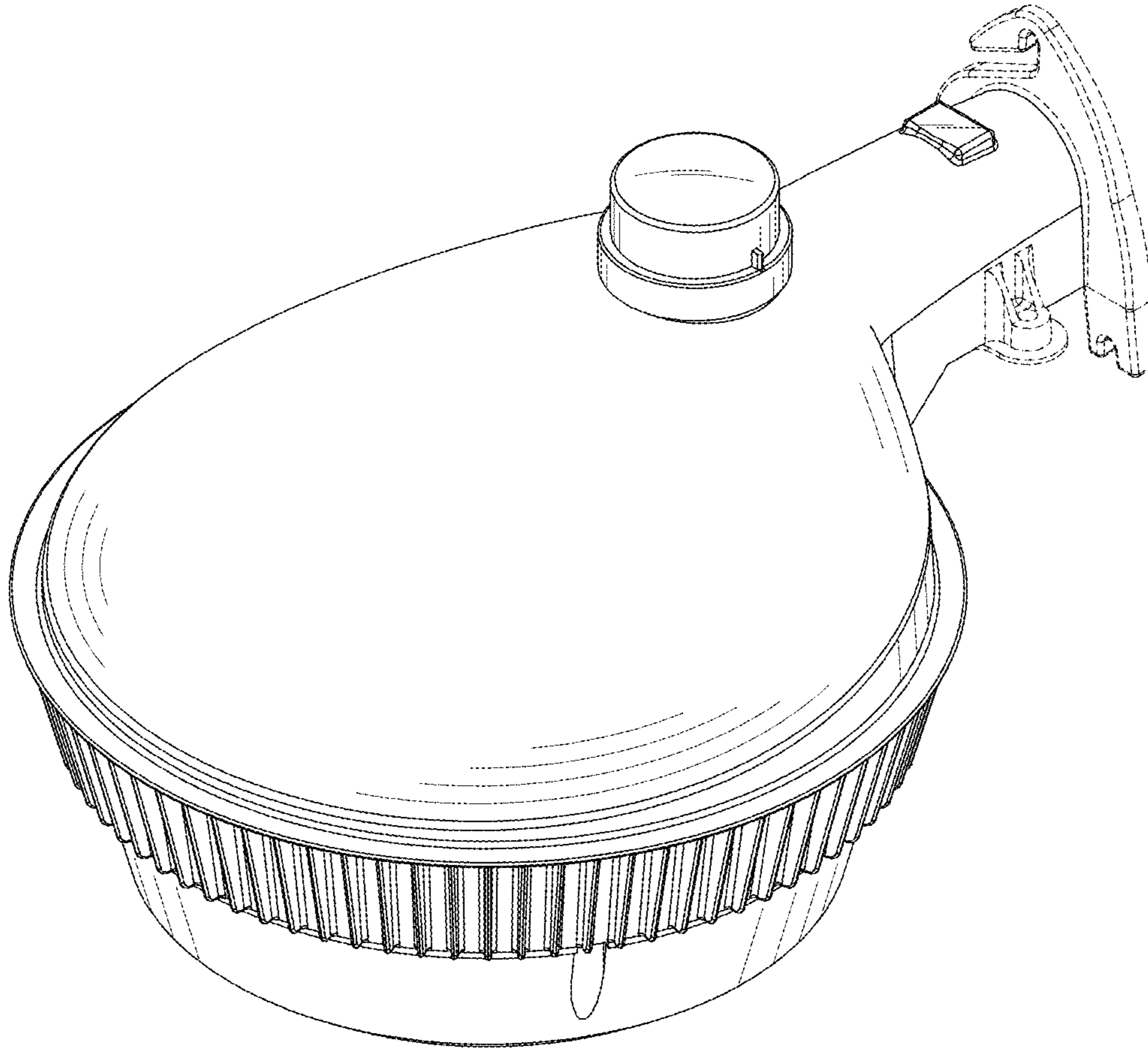


FIG. 1

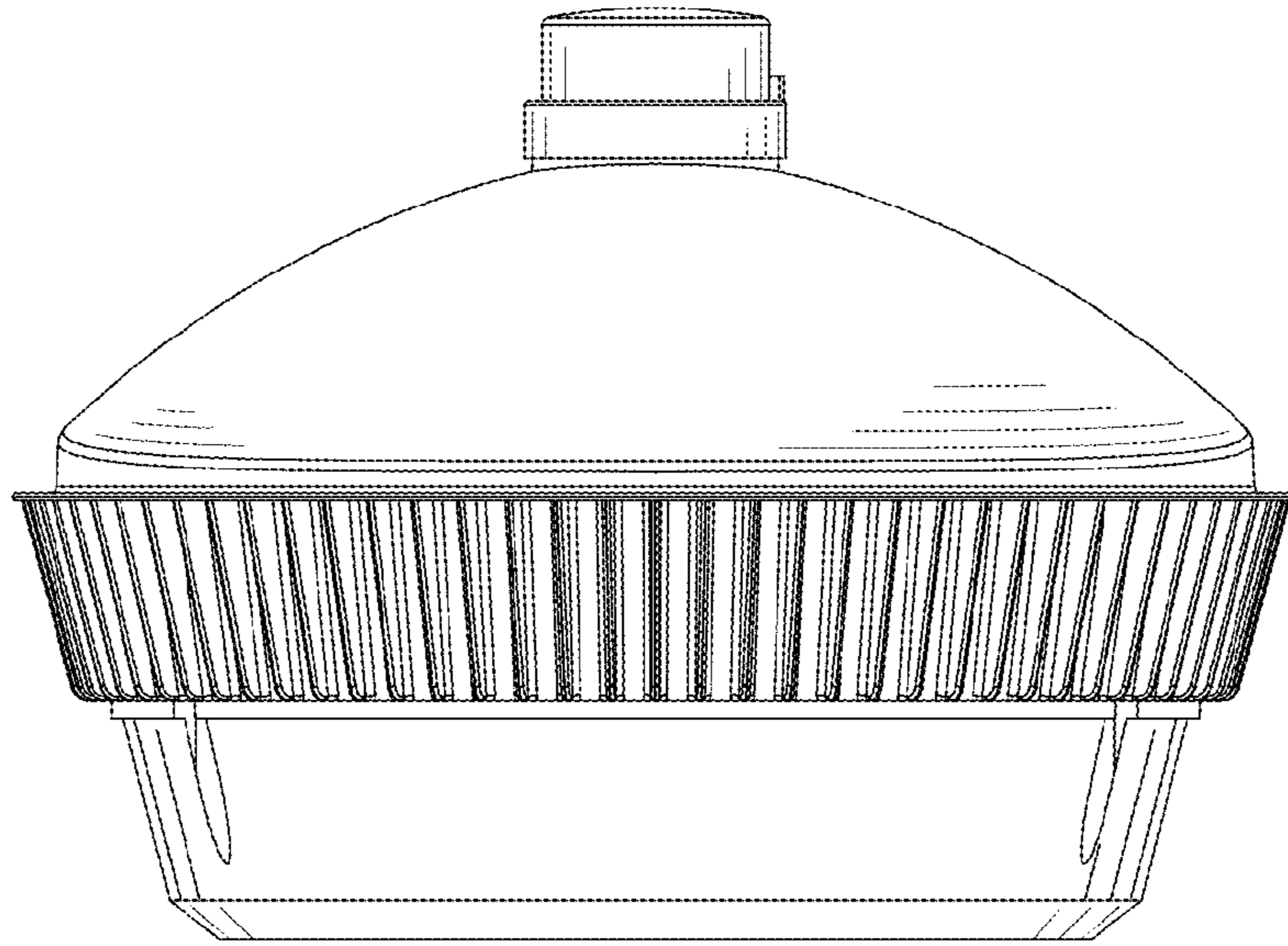


FIG. 2

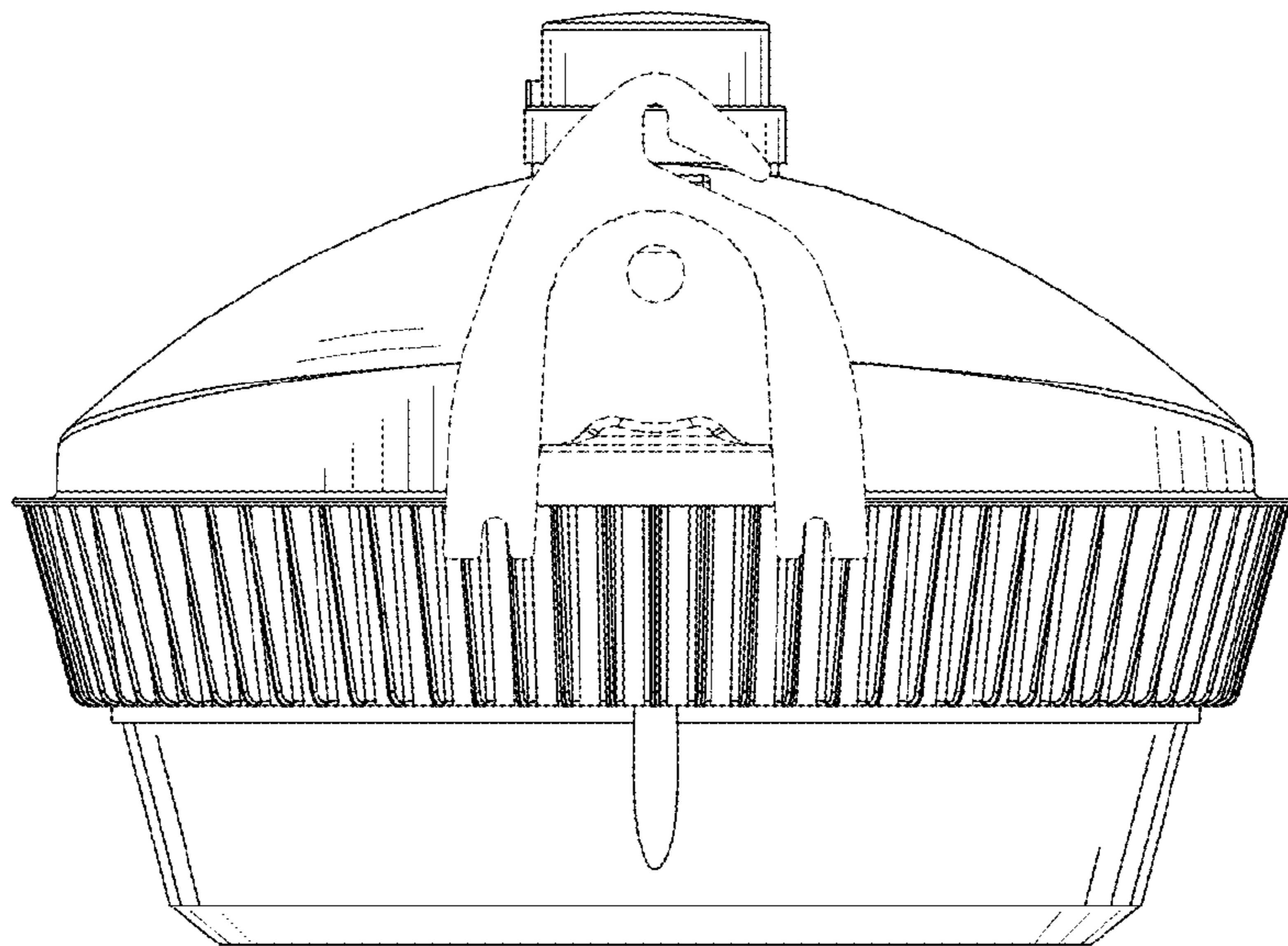


FIG. 3

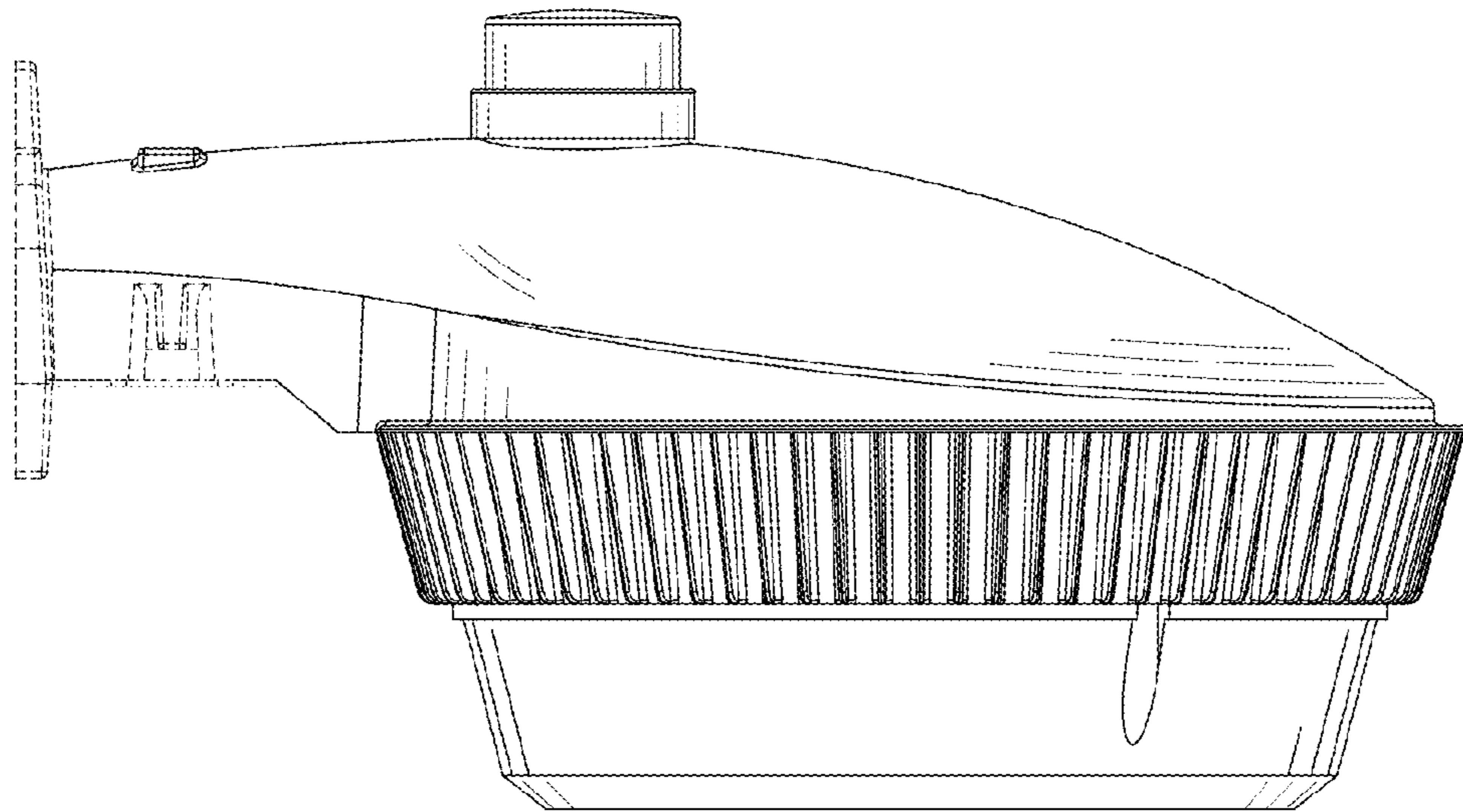


FIG. 4

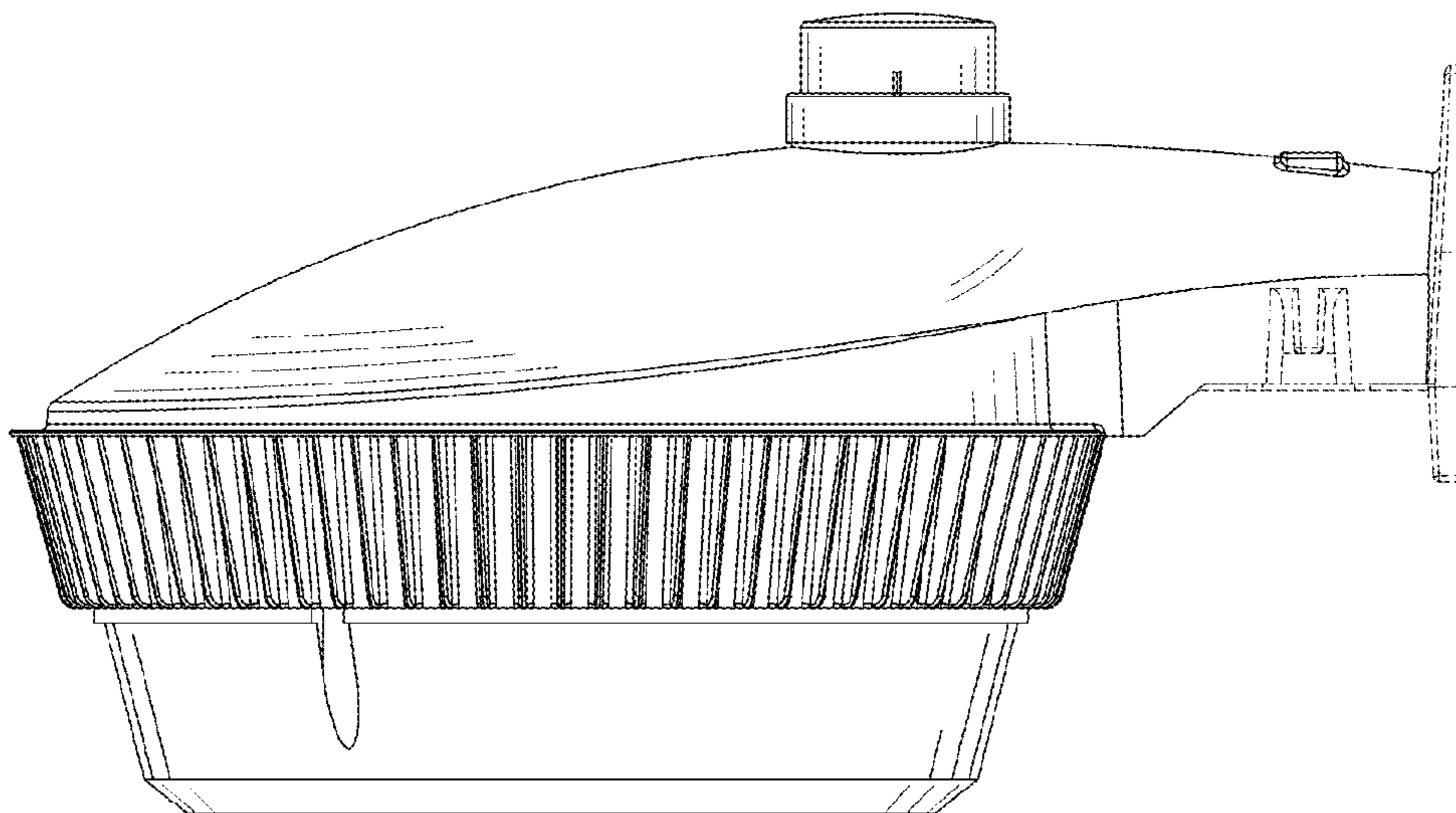


FIG. 5

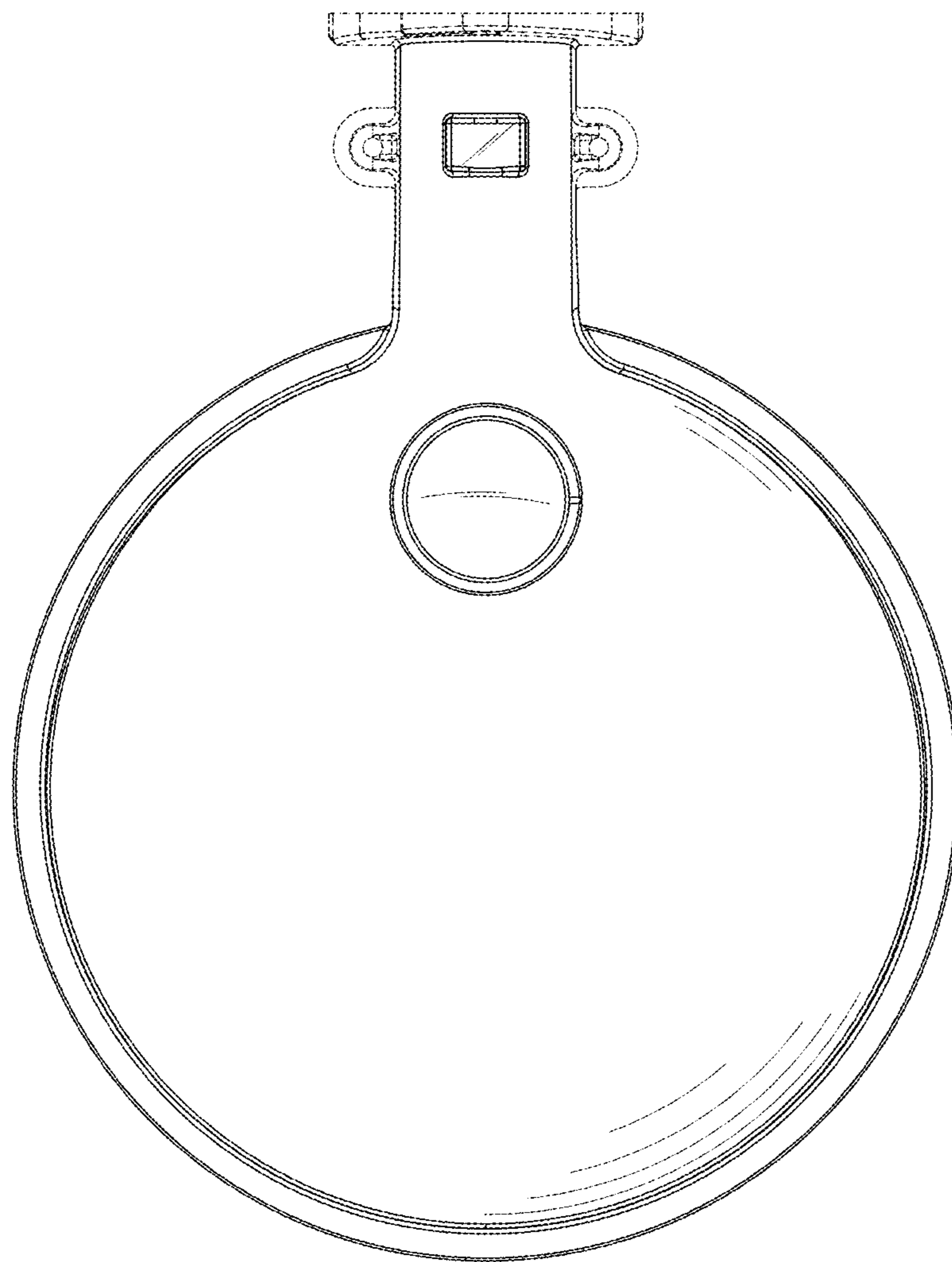


FIG. 6

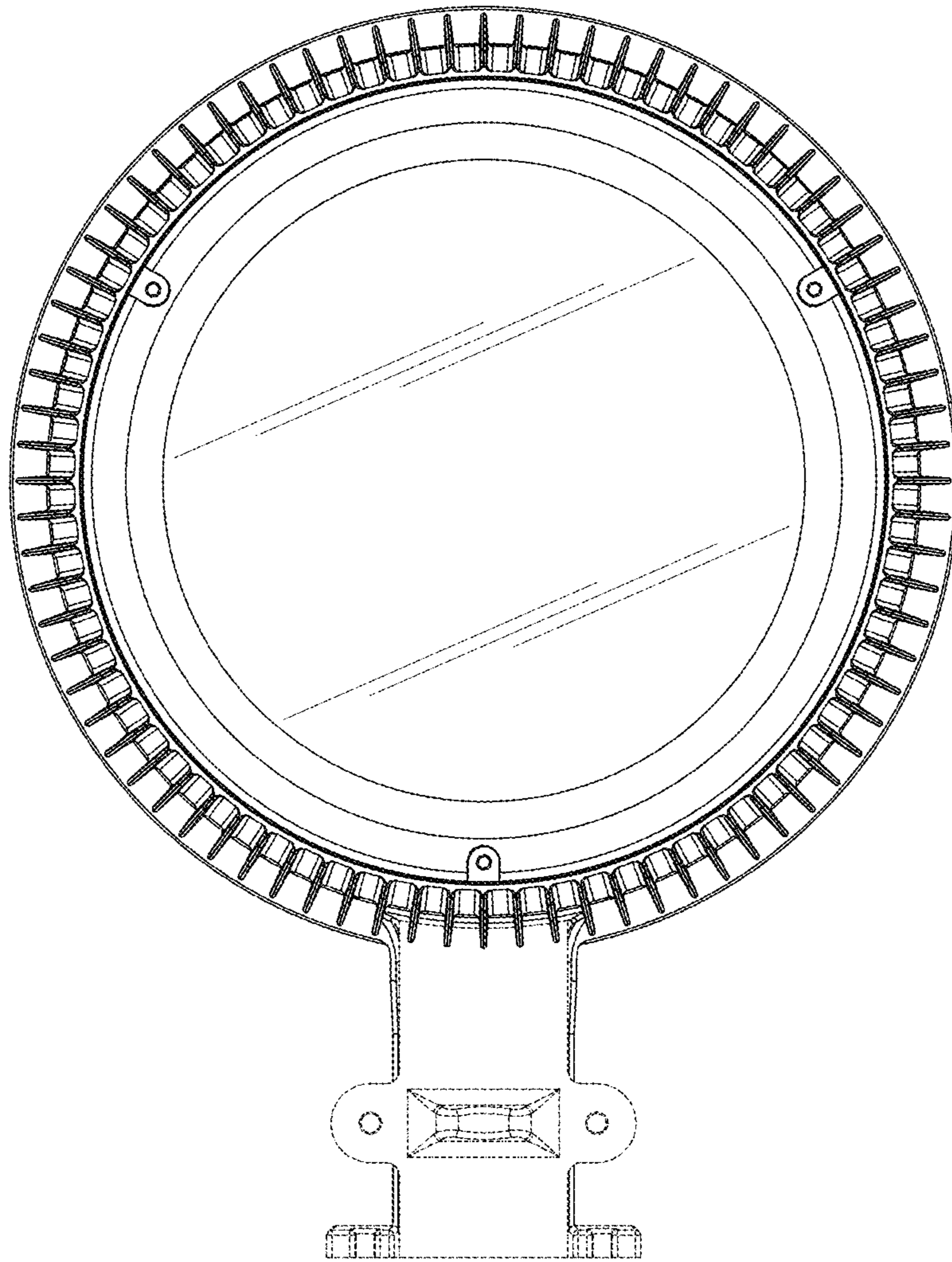


FIG. 7

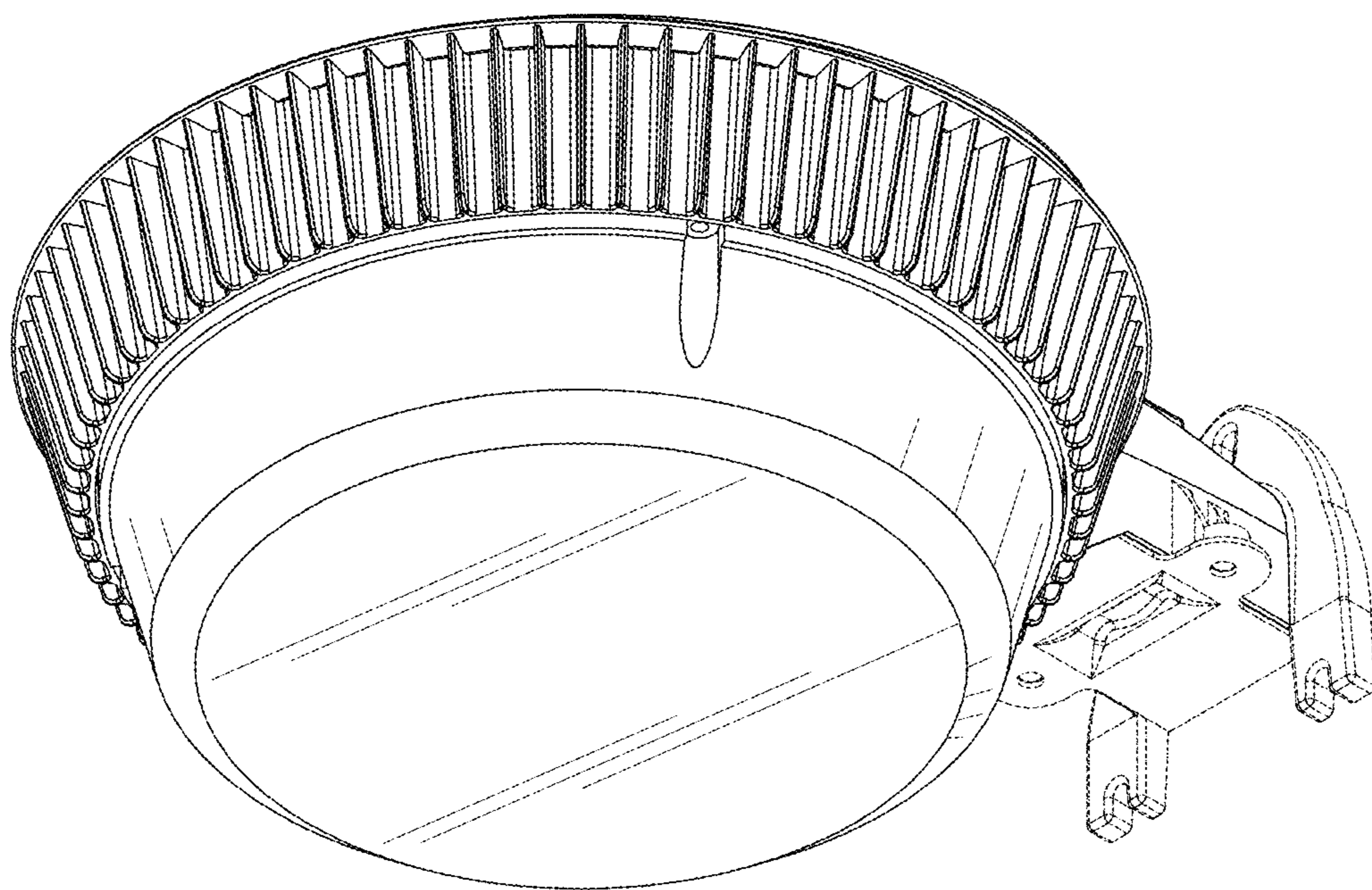


FIG. 8

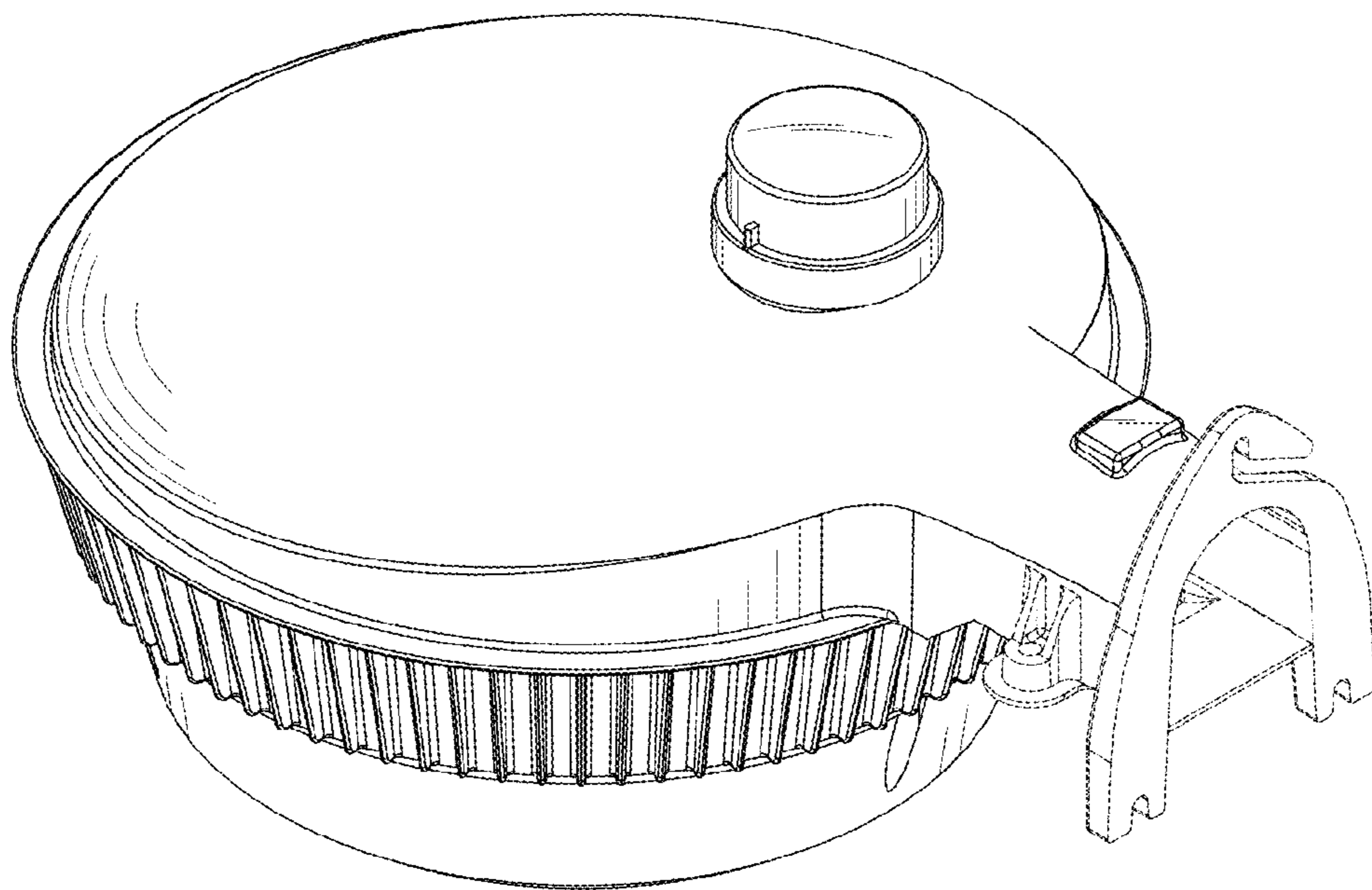


FIG. 9

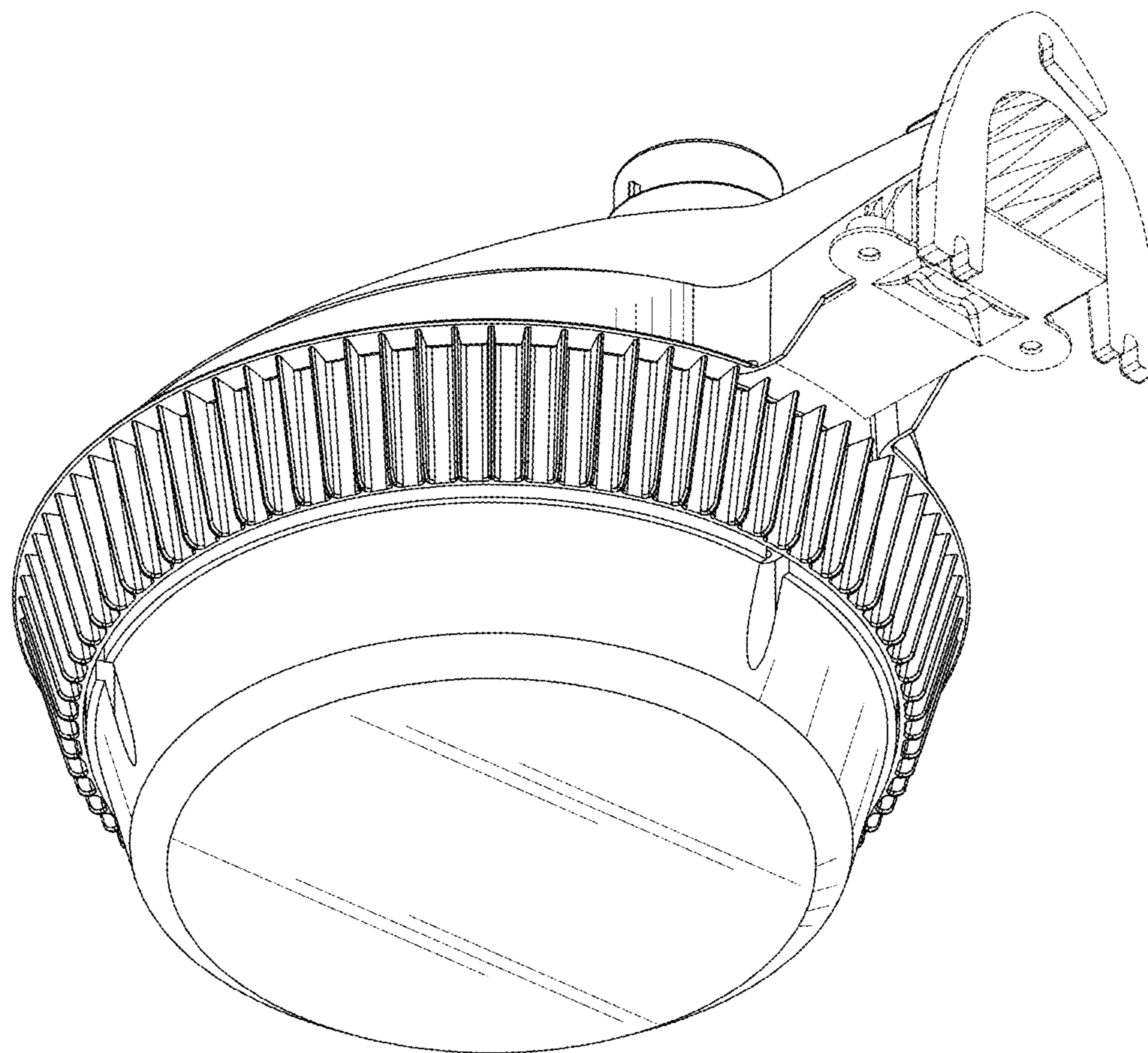


FIG. 10