



US00D766491S

(12) **United States Design Patent**  
**Lee et al.**

(10) **Patent No.:** **US D766,491 S**  
(45) **Date of Patent:** **\*\* Sep. 13, 2016**

- (54) **LIGHTING FIXTURE**
- (71) Applicant: **Ladies & Gentlemen Studio, Inc.**,  
Seattle, WA (US)
- (72) Inventors: **Jean Hui Chun Lee**, Seattle, WA (US);  
**Dylan Davis**, Seattle, WA (US)
- (73) Assignee: **Ladies & Gentleman Studio, Inc.**,  
Seattle, WA (US)
- (\*\*) Term: **14 Years**
- (21) Appl. No.: **29/524,770**
- (22) Filed: **Apr. 23, 2015**
- (51) **LOC (10) Cl.** ..... **26-03**
- (52) **U.S. Cl.**  
USPC ..... **D26/89**; D26/88
- (58) **Field of Classification Search**  
USPC ..... D26/80-91, 118, 152, 155  
CPC ..... F21S 8/03; F21S 8/033; F21S 8/036;  
F21S 8/04; F21S 8/043; F21S 8/046; F21S  
8/06; F21S 8/061; F21S 8/063; F21S 8/065;  
F21S 8/068; F21V 1/04; F21V 1/06; F21V  
1/12; F21V 3/02; F21V 3/023; F21V 5/06  
See application file for complete search history.

(56) **References Cited**  
U.S. PATENT DOCUMENTS

|               |         |          |       |                         |
|---------------|---------|----------|-------|-------------------------|
| D85,444 S *   | 10/1931 | Primakow | ..... | D26/84                  |
| 1,858,991 A * | 5/1932  | Frost    | ..... | F21V 3/023<br>362/362   |
| 1,950,130 A * | 3/1934  | Barlow   | ..... | F21S 6/005<br>362/300   |
| 5,025,357 A * | 6/1991  | Maurer   | ..... | F21S 2/00<br>362/249.01 |
| 5,158,360 A * | 10/1992 | Banke    | ..... | F21S 8/068<br>362/391   |

|                   |         |               |       |                          |
|-------------------|---------|---------------|-------|--------------------------|
| 5,726,706 A *     | 3/1998  | Walsh         | ..... | G08B 13/19619<br>348/151 |
| D565,786 S *      | 4/2008  | Willmorth     | ..... | D26/138                  |
| D576,340 S *      | 9/2008  | Wanders       | ..... | D26/88                   |
| D620,178 S *      | 7/2010  | Sabernig      | ..... | D26/84                   |
| D633,646 S *      | 3/2011  | Marcaccio     | ..... | D26/118                  |
| D634,877 S *      | 3/2011  | Pedrali       | ..... | D26/84                   |
| D641,096 S *      | 7/2011  | Markle        | ..... | D26/88                   |
| D715,986 S *      | 10/2014 | Anastassiades | ..... | D26/88                   |
| D738,557 S *      | 9/2015  | Colombo       | ..... | D26/85                   |
| 2007/0127234 A1 * | 6/2007  | Jervey, III   | ..... | F21S 8/06<br>362/147     |
| 2012/0106137 A1 * | 5/2012  | Scott         | ..... | F21V 29/004<br>362/147   |
| 2014/0340880 A1 * | 11/2014 | Benner        | ..... | H01R 33/92<br>362/147    |

\* cited by examiner

*Primary Examiner* — Clare E Heflin

(74) *Attorney, Agent, or Firm* — Timothy W. Menasco,  
Esq.; Harter Secrest & Emery LLP

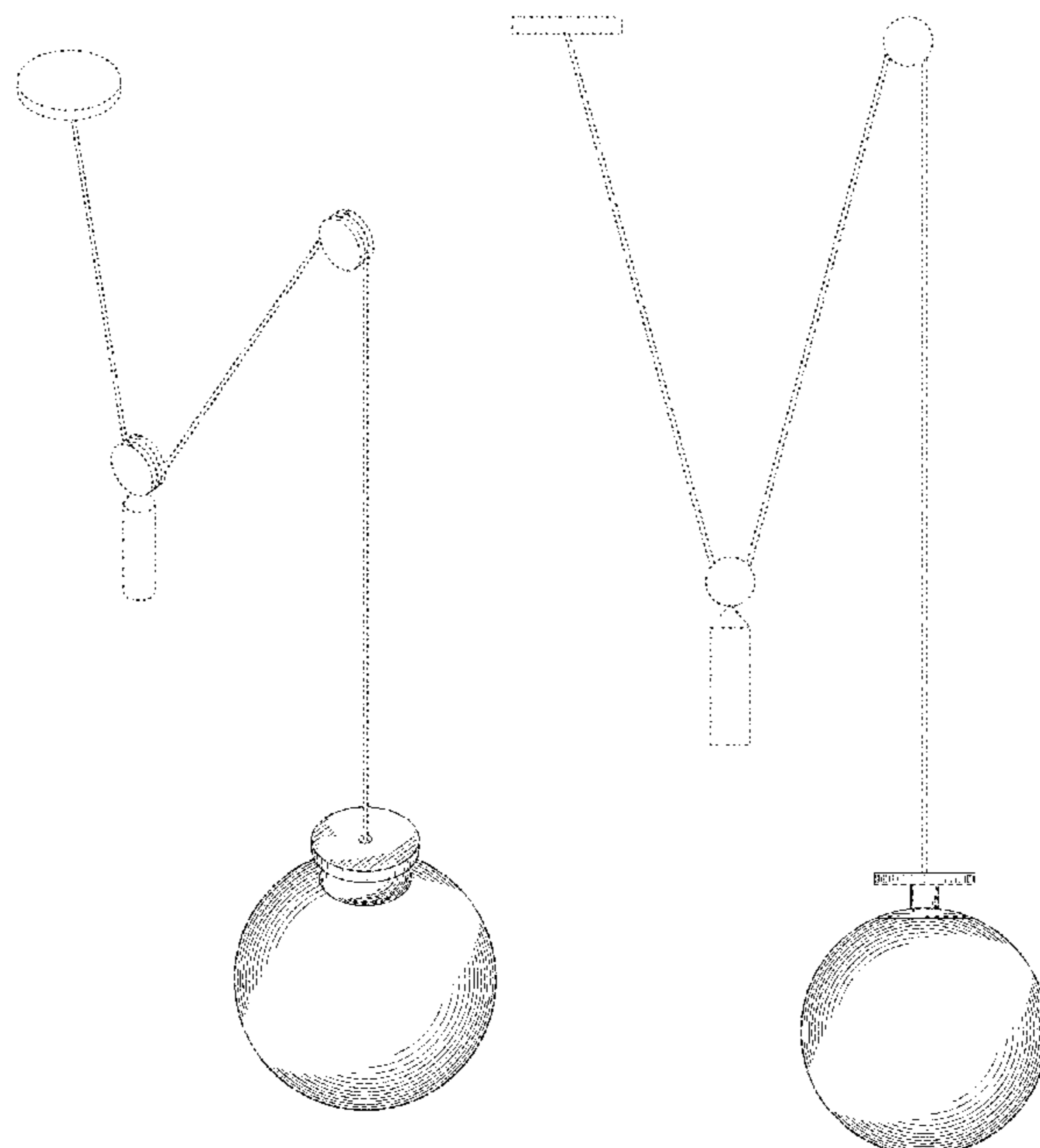
(57) **CLAIM**

The ornamental design for a lighting fixture, as shown and described.

**DESCRIPTION**

FIG. 1 is a front perspective view of a lighting fixture in accordance with the present invention;  
 FIG. 2 is a front view thereof;  
 FIG. 3 is a right side view thereof;  
 FIG. 4 is a rear view thereof;  
 FIG. 5 is a left side view thereof;  
 FIG. 6 is a top view thereof; and,  
 FIG. 7 is a bottom view thereof.  
 The broken lines shown on the drawings depict portions of the lighting fixture that form no part of the claimed design.

**1 Claim, 6 Drawing Sheets**



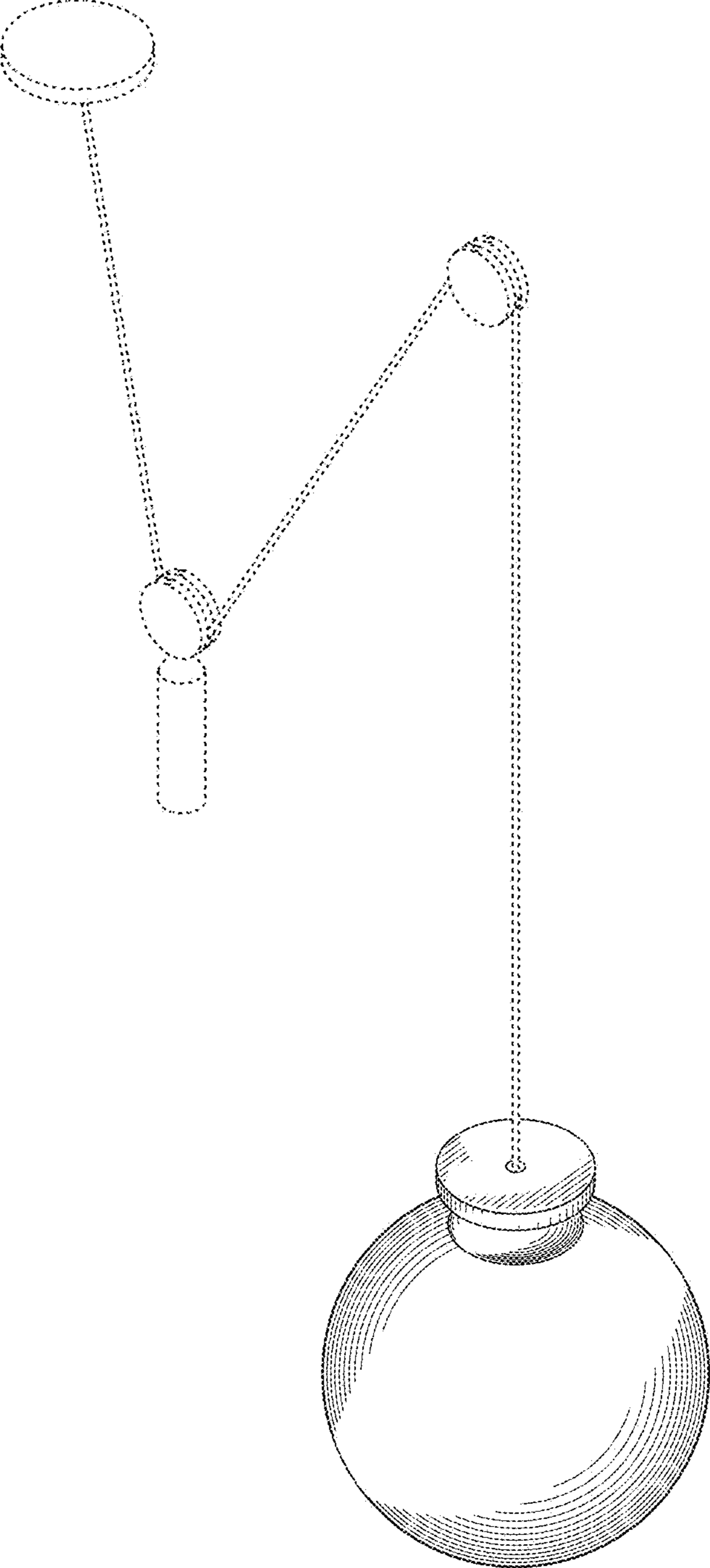


FIG. 1

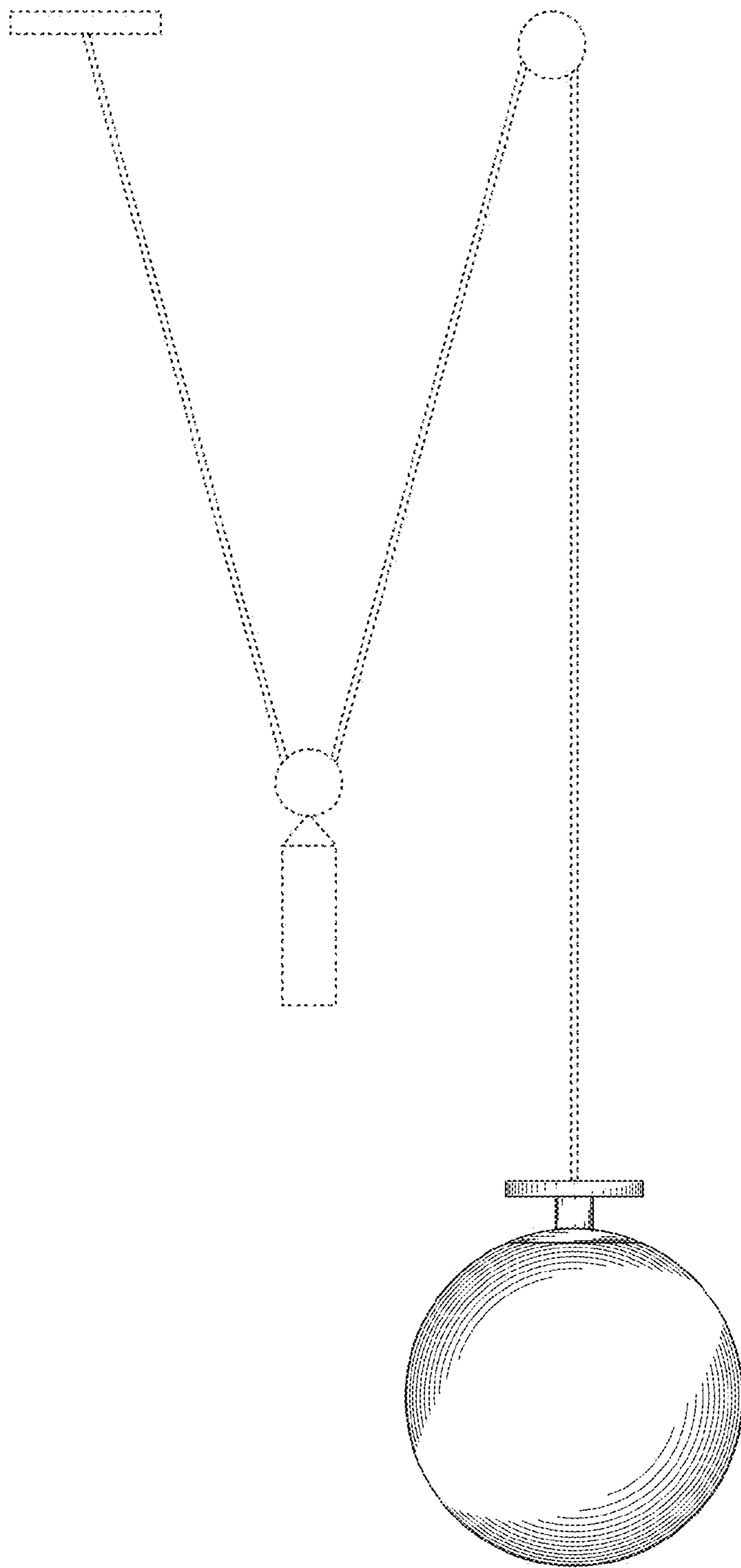


FIG. 2

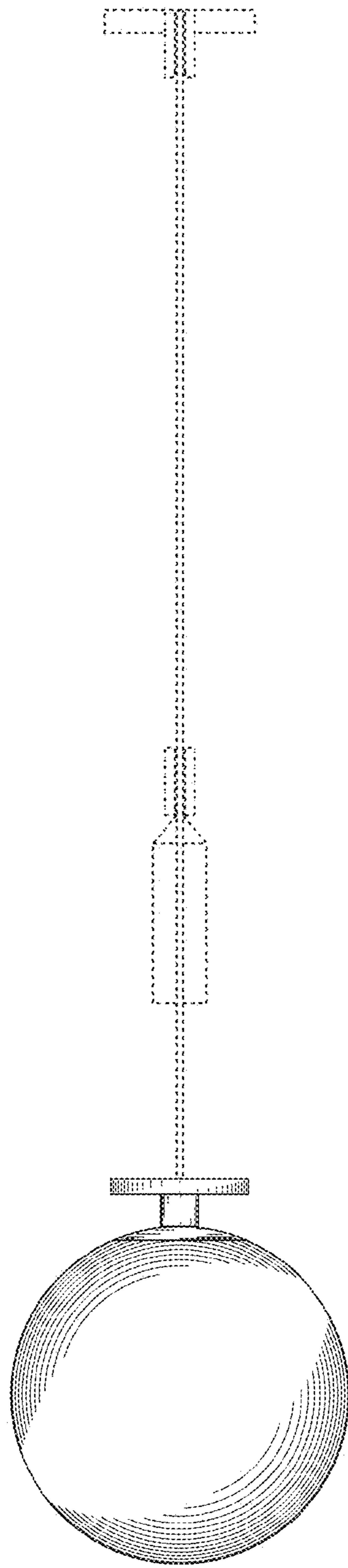


FIG. 3

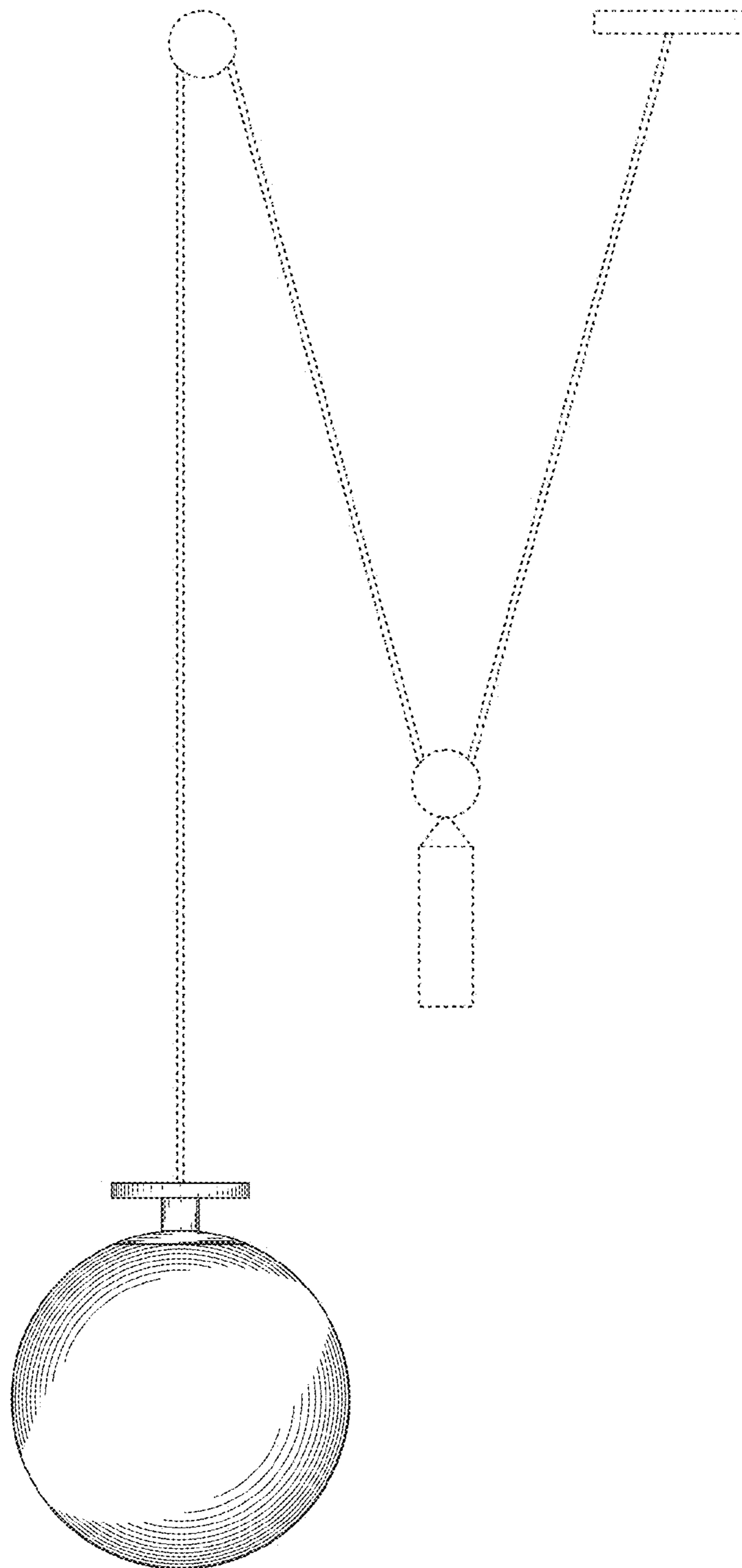


FIG. 4

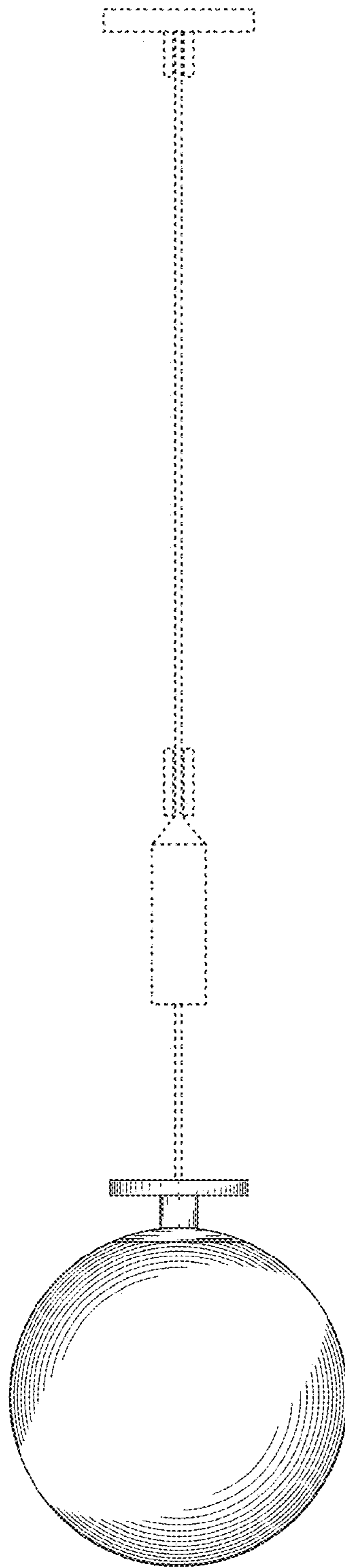


FIG. 5

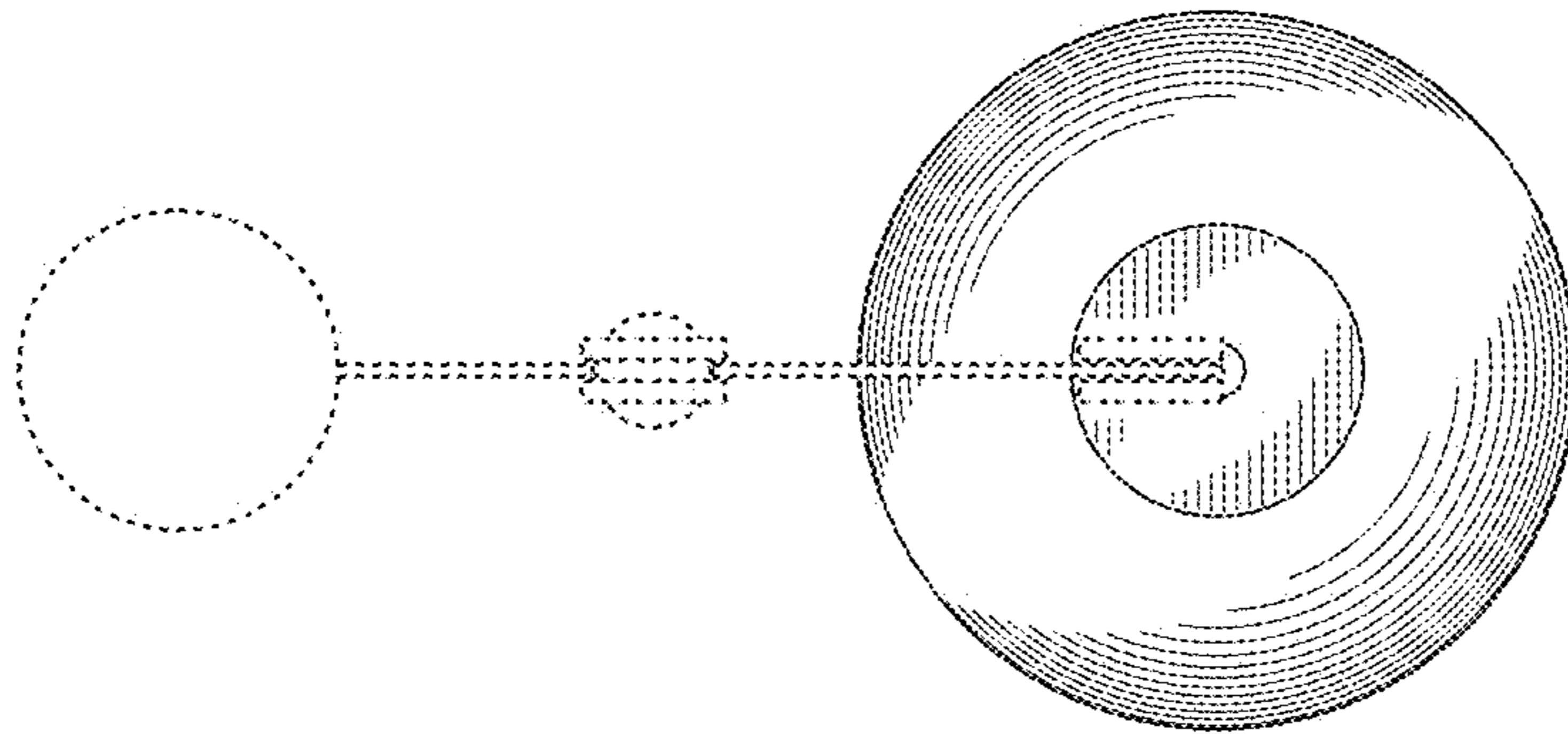


FIG. 6

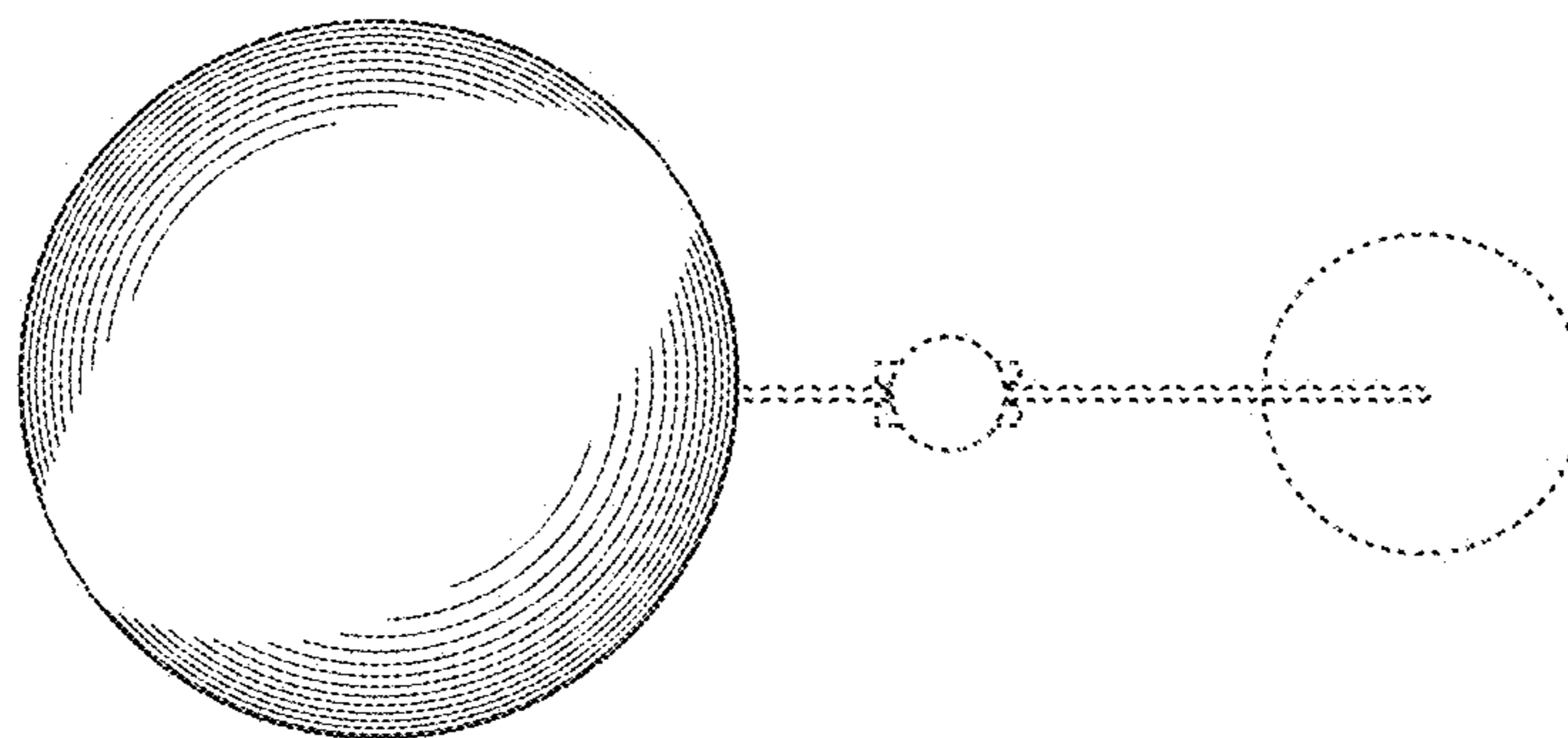


FIG. 7