

US00D766490S

(12) **United States Design Patent**  
**Moon**

(10) **Patent No.:** **US D766,490 S**

(45) **Date of Patent:** **\*\* Sep. 13, 2016**

(54) **LED LANTERN**

(71) Applicants: **Sangpil Moon**, Seoul (KR); **Feit Electric Company, Inc.**, Pico Rivera, CA (US)

(72) Inventor: **Sangpil Moon**, Seoul (KR)

(73) Assignees: **Sangpil Moon**, Seoul (KR); **Feit Electric Company, Inc.**, Pico Rivera, CA (US)

(\*\*) Term: **15 Years**

(21) Appl. No.: **29/529,722**

(22) Filed: **Jun. 10, 2015**

(51) **LOC (10) Cl.** ..... **26-03**

(52) **U.S. Cl.**  
USPC ..... **D26/87**

(58) **Field of Classification Search**  
USPC ..... D26/63, 67-70, 85, 87, 92  
CPC ..... F21S 6/004; F21S 6/005; F21S 8/08;  
F21S 8/081; F21S 8/083; F21S 8/088;  
F21S 9/03; F21S 9/032; F21S 9/035; F21S  
9/037; F21W 2131/109; F21W 2111/023;  
F21V 21/0824

See application file for complete search history.

(56) **References Cited**

**U.S. PATENT DOCUMENTS**

D74,689 S \* 3/1928 Ludwig ..... D26/87  
D76,367 S \* 9/1928 Aspinwall ..... D26/87

D83,935 S \* 4/1931 Wing ..... D26/87  
5,442,532 A \* 8/1995 Boulos ..... F21S 8/033  
340/567  
D439,360 S \* 3/2001 Berry ..... D26/87  
D440,344 S \* 4/2001 De'Armond ..... D26/87  
D482,479 S \* 11/2003 Kuelbs ..... D26/67  
D510,152 S \* 9/2005 De'Armond ..... D26/87  
D511,853 S \* 11/2005 De'Armond ..... D26/87  
D513,337 S \* 12/2005 Burke ..... D26/85  
D531,340 S \* 10/2006 Victor ..... D26/67  
D534,678 S \* 1/2007 Hsu ..... D26/87  
D553,780 S \* 10/2007 Bucher ..... D26/67

\* cited by examiner

*Primary Examiner* — Clare E Heflin

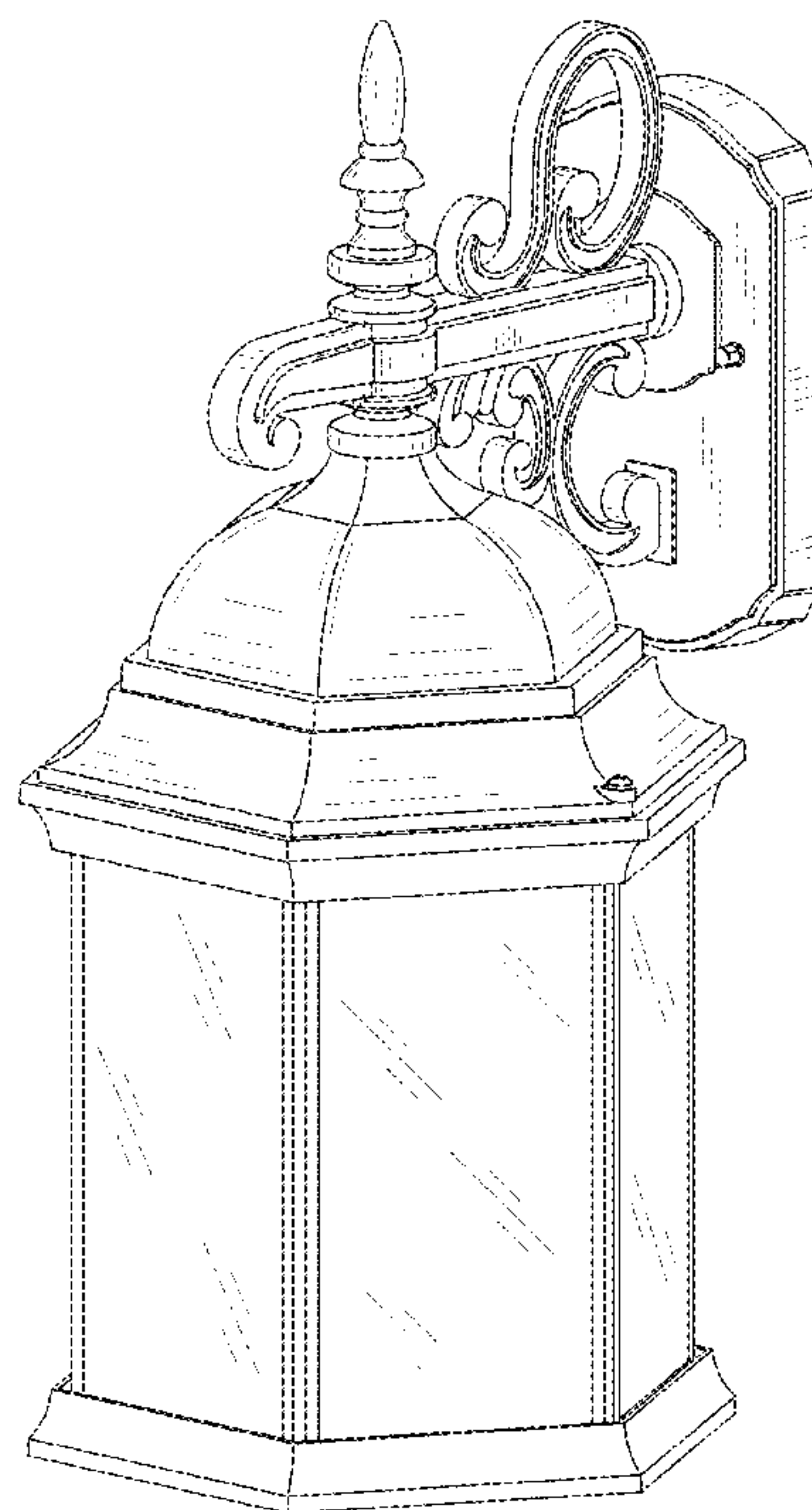
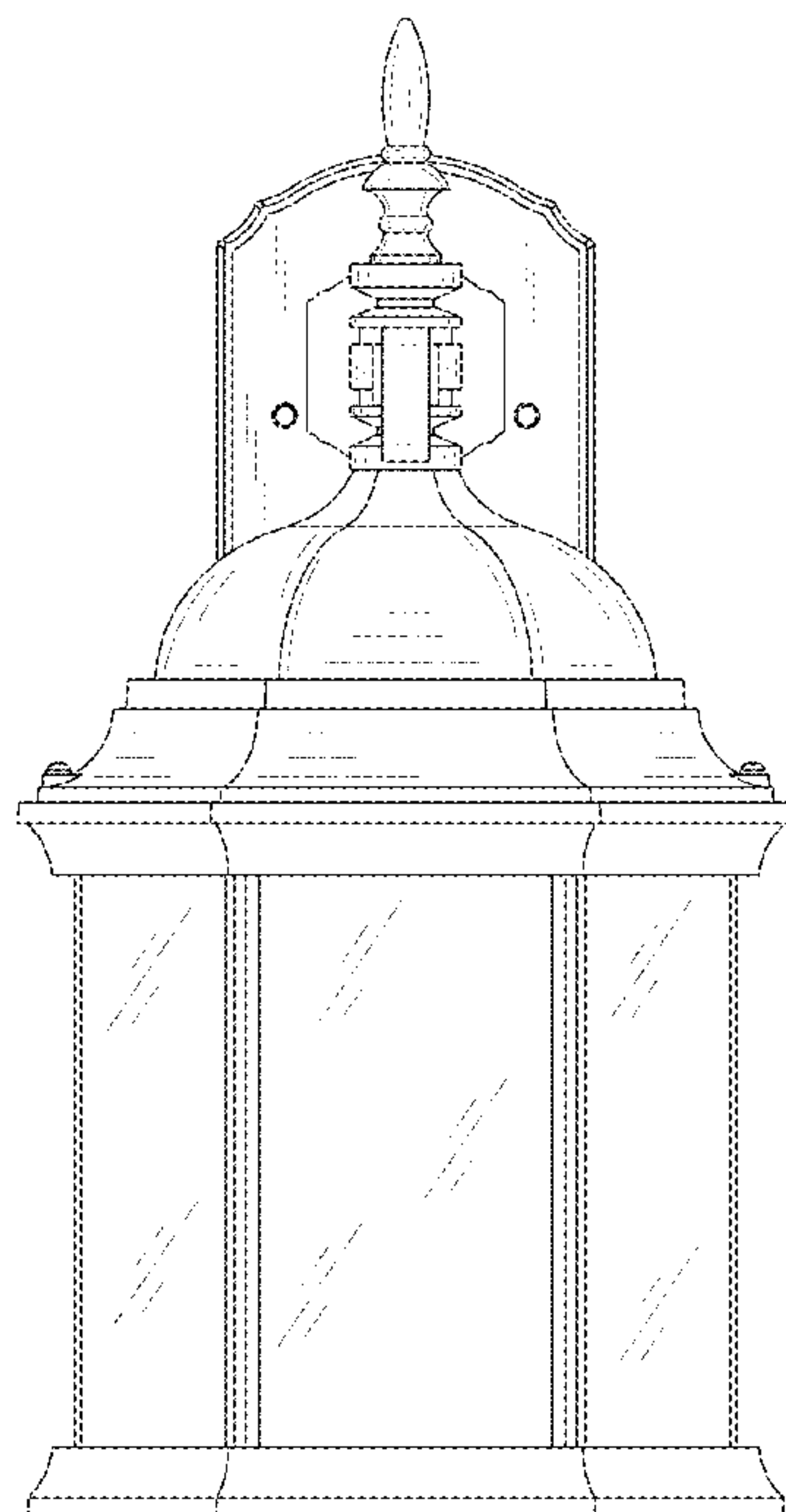
(57) **CLAIM**

The ornamental design for an LED lantern, as shown and described.

**DESCRIPTION**

FIG. 1 is a front elevational view of an LED lantern showing my new design;  
FIG. 2 is a rear elevational view thereof;  
FIG. 3 is a left side view thereof;  
FIG. 4 is a right side view thereof;  
FIG. 5 is a top plan view thereof;  
FIG. 6 is a bottom plan view thereof;  
FIG. 7 is a first perspective view thereof; and,  
FIG. 8 is a second perspective view thereof.  
The broken lines shown on the drawings depict portions of the LED lantern that form no part of the claimed design.

**1 Claim, 7 Drawing Sheets**



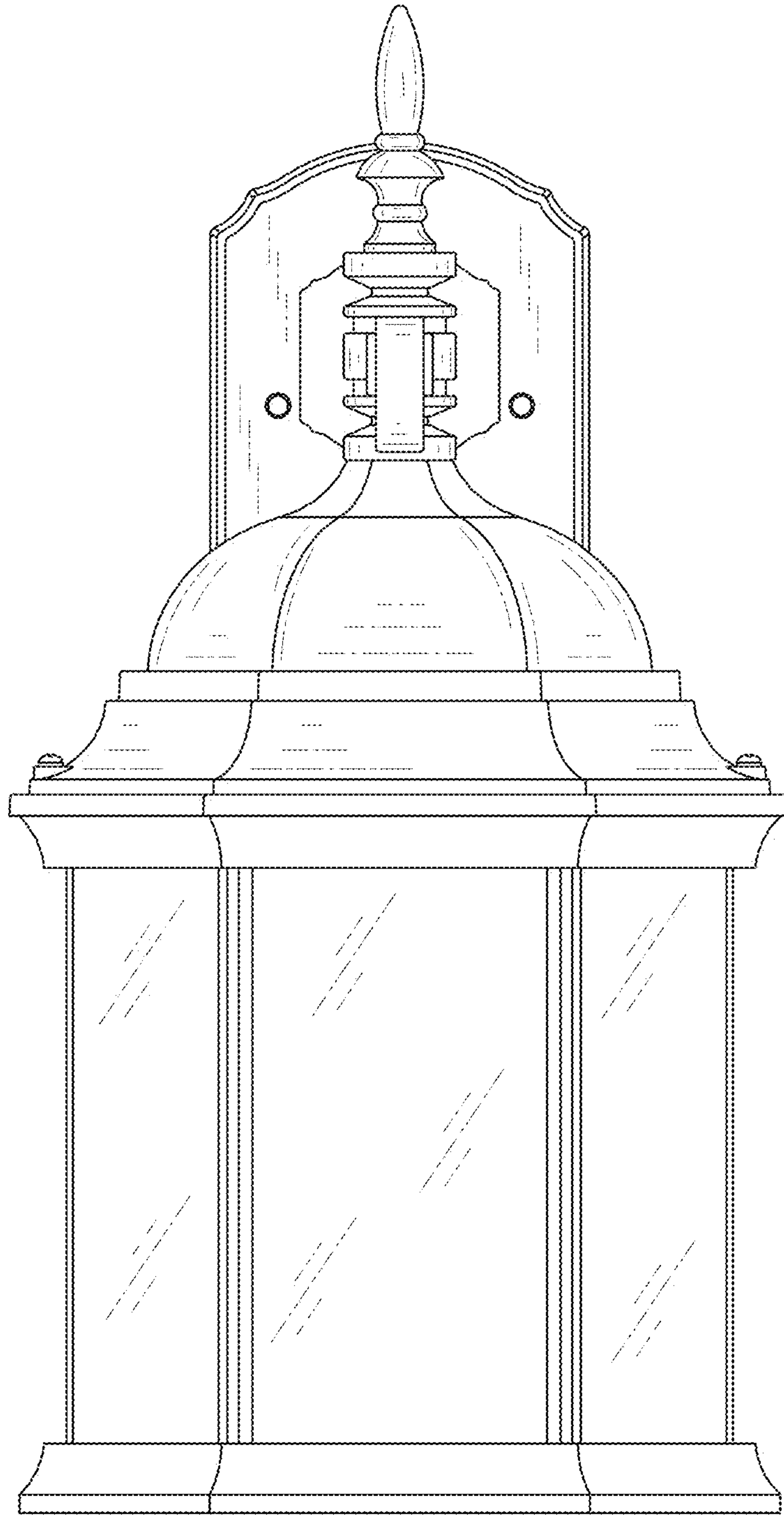


Fig. 1

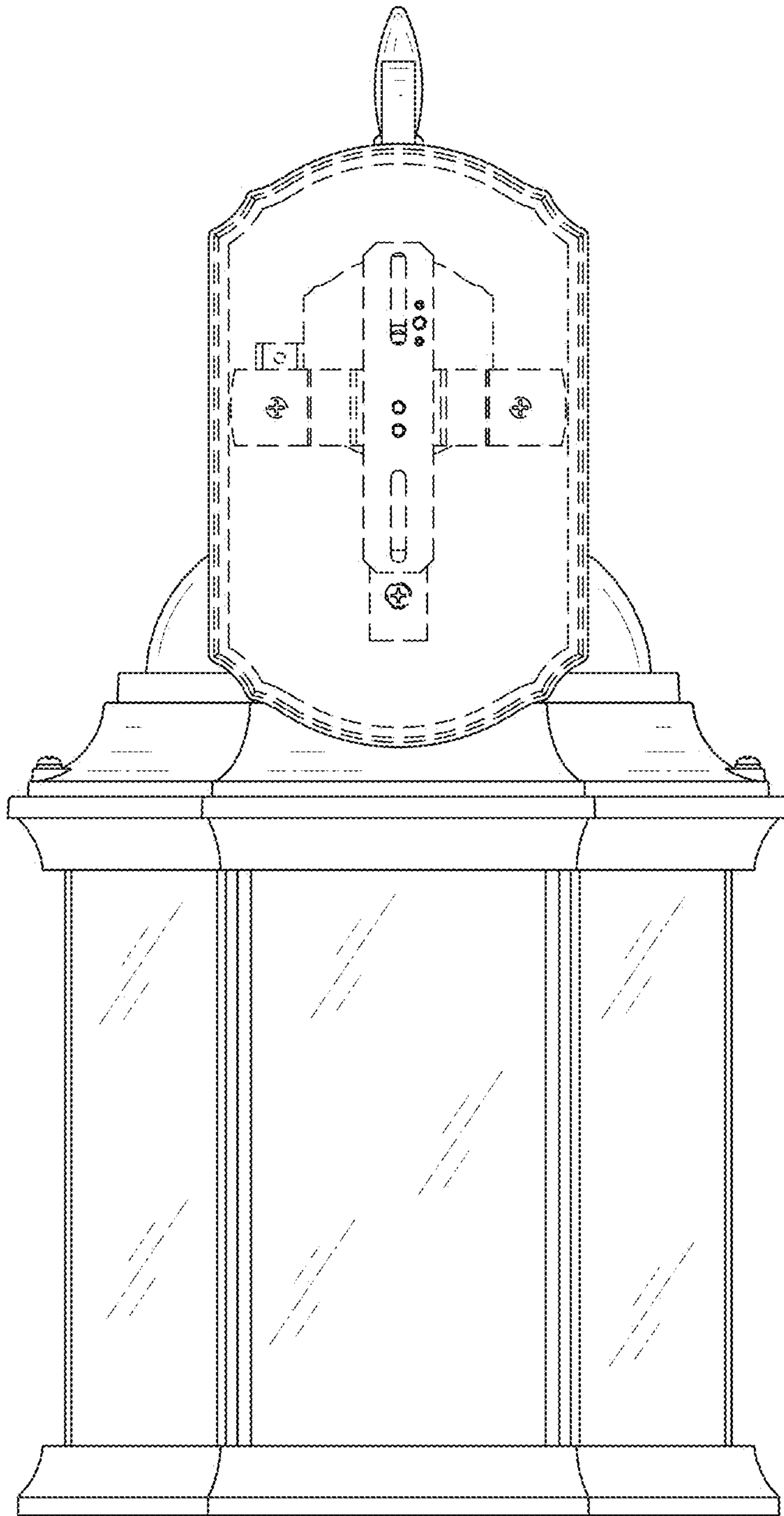


Fig.2

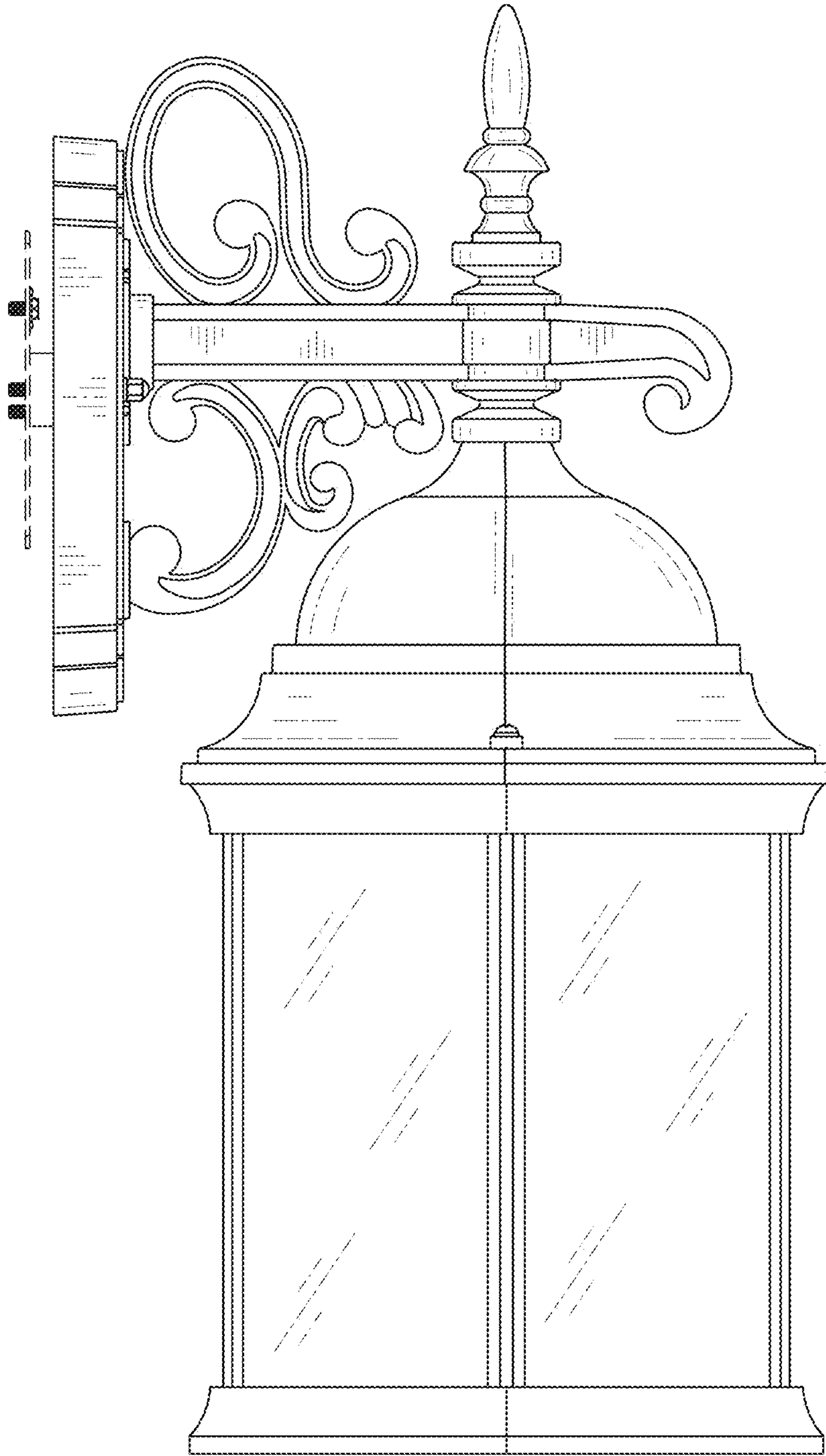


Fig.3



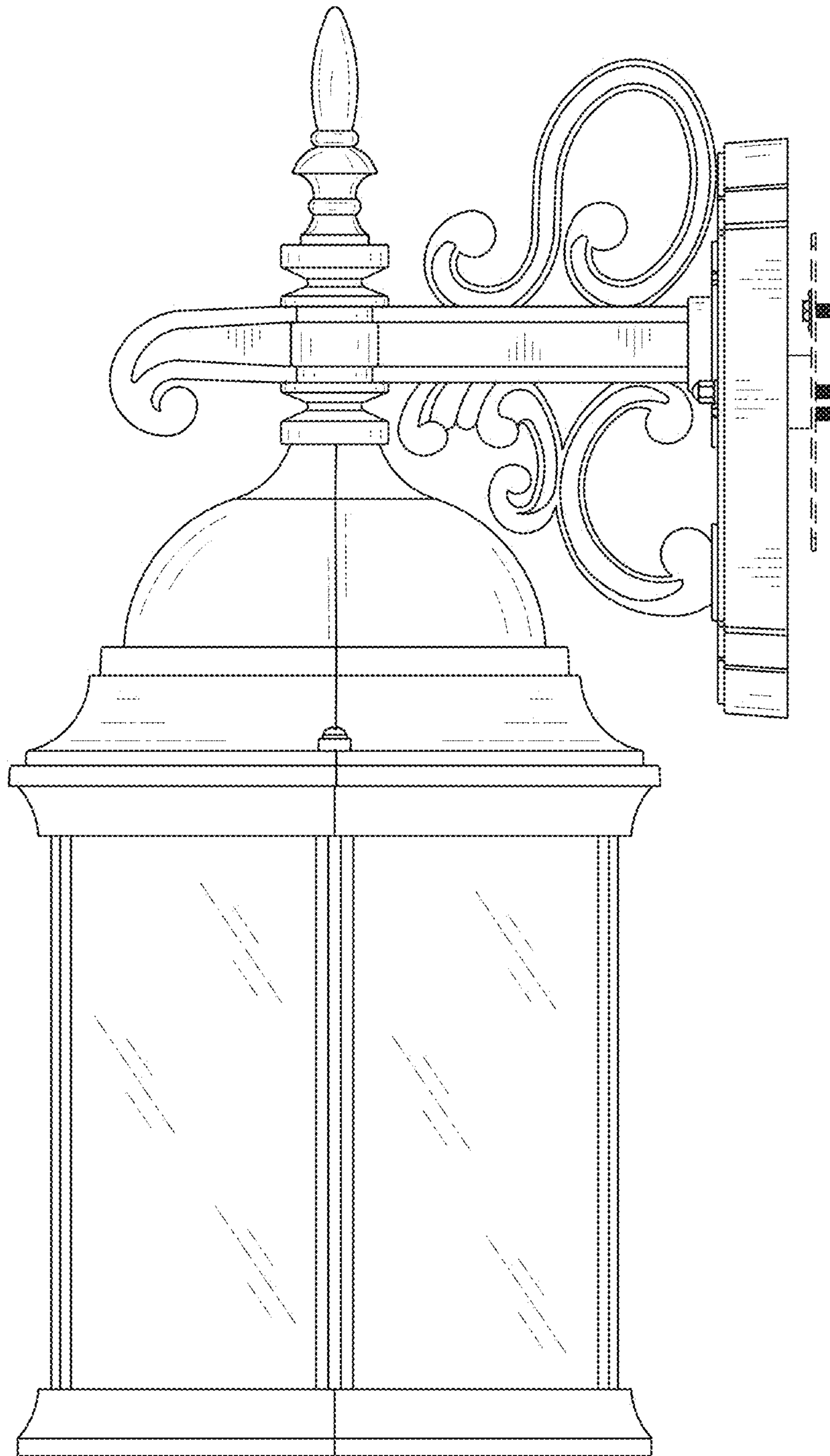


Fig.4

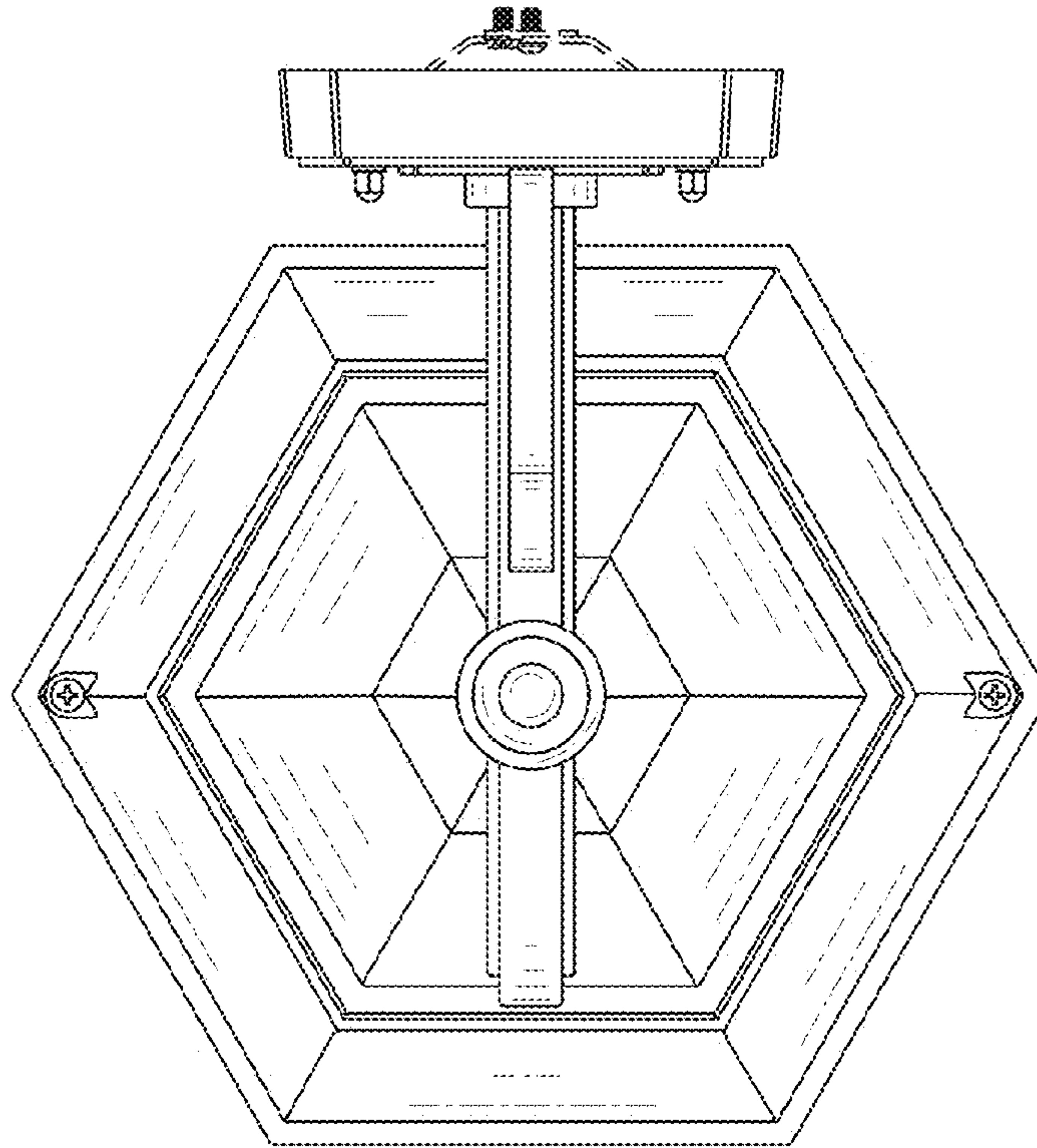


Fig.5

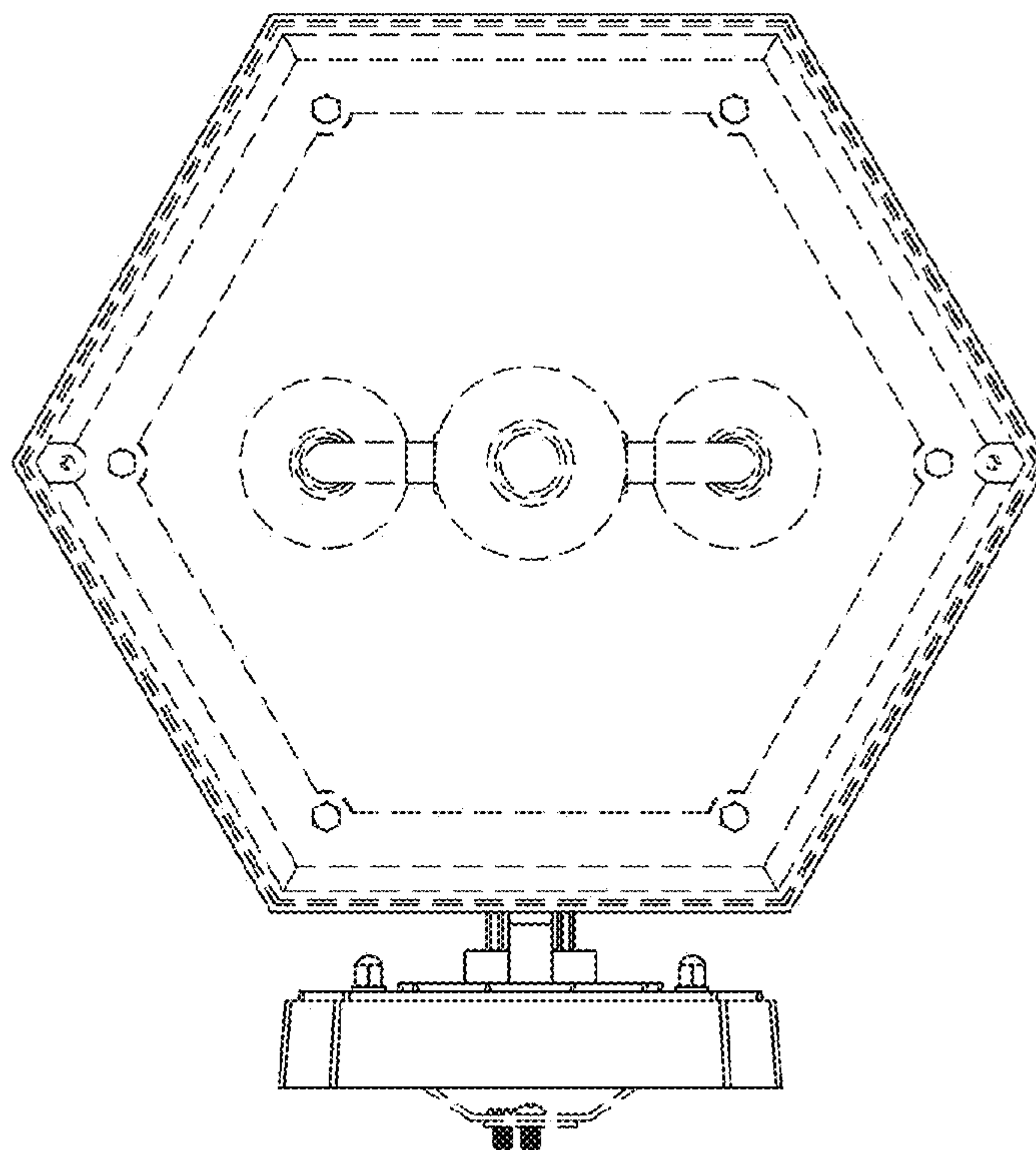


Fig.6

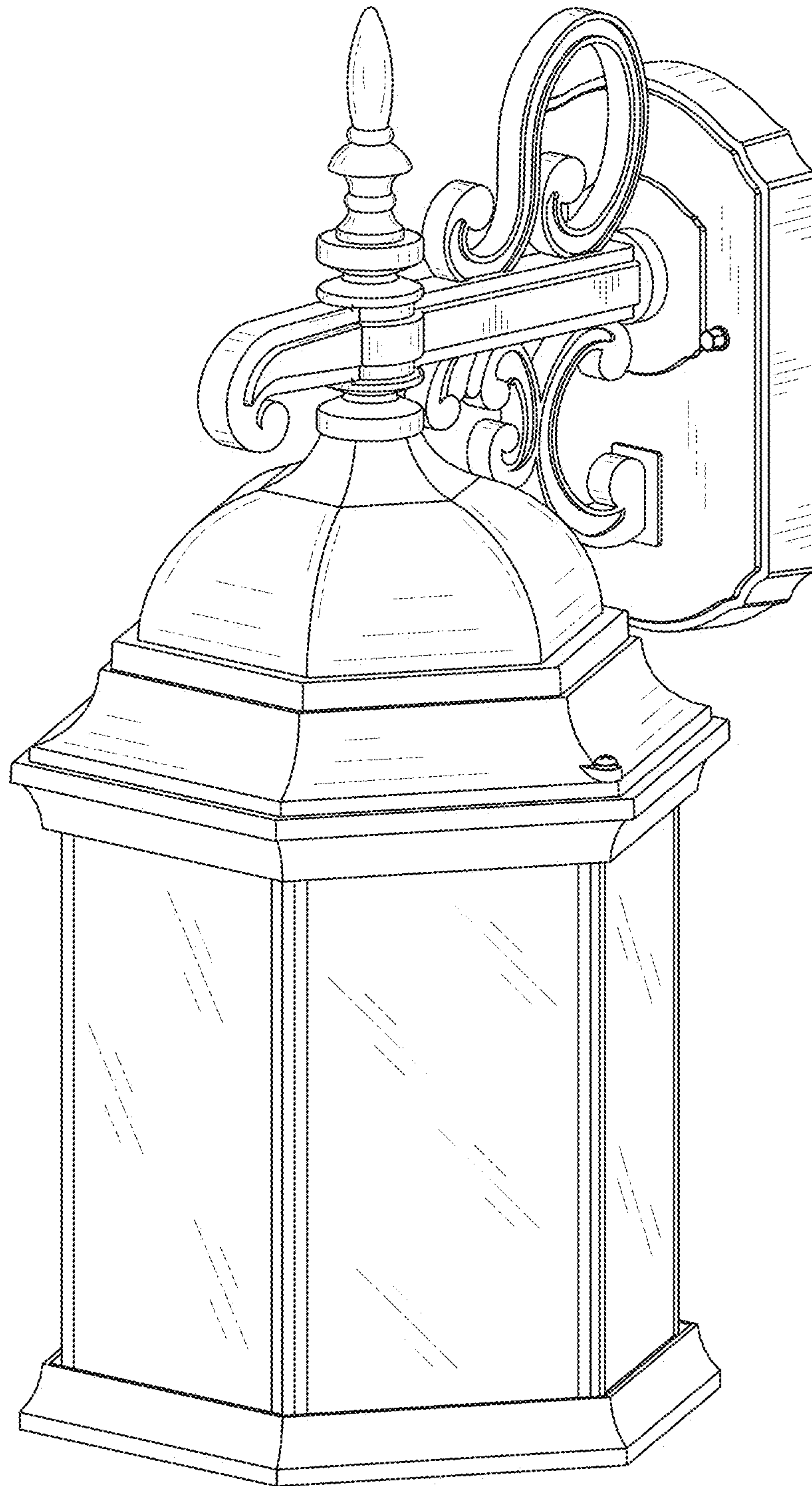


Fig.7



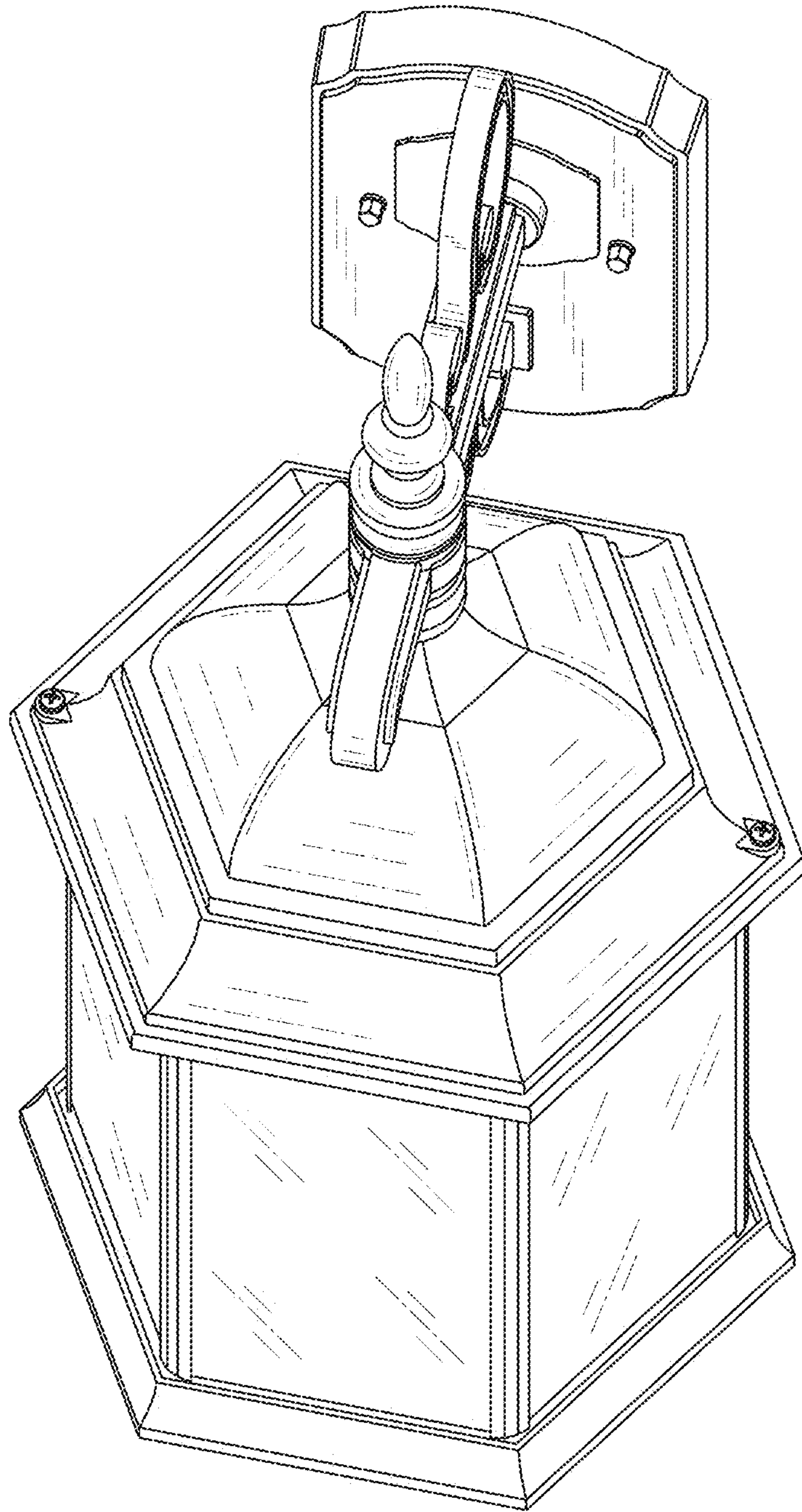


Fig.8