



US00D766489S

(12) **United States Design Patent**  
**Moon**

(10) **Patent No.:** **US D766,489 S**

(45) **Date of Patent:** **\*\* Sep. 13, 2016**

- (54) **LED LANTERN**
- (71) Applicants: **Sangpil Moon**, Seoul (KR); **Feit Electric Company, Inc.**, Pico Rivera, CA (US)
- (72) Inventor: **Sangpil Moon**, Seoul (KR)
- (73) Assignees: **Sangpil Moon**, Seoul (KR); **Feit Electric Company, Inc.**, Pico Rivera, CA (US)
- (\*\*) Term: **15 Years**
- (21) Appl. No.: **29/529,717**
- (22) Filed: **Jun. 10, 2015**
- (51) **LOC (10) Cl.** ..... **26-03**
- (52) **U.S. Cl.**  
USPC ..... **D26/87**
- (58) **Field of Classification Search**  
USPC ..... D26/63, 67-70, 85, 87, 92  
CPC ..... F21S 6/004; F21S 6/005; F21S 8/08;  
F21S 8/081; F21S 8/083; F21S 8/088;  
F21S 9/03; F21S 9/032; F21S 9/035; F21S  
9/037; F21W 2131/109; F21W 2111/023;  
F21V 21/0824  
See application file for complete search history.

(56) **References Cited**

**U.S. PATENT DOCUMENTS**

79,169	A *	6/1868	Wheeler	.....	F21S 8/088 362/367
136,373	A *	3/1873	Hartman	.....	F21S 8/088 362/367
212,410	A *	2/1879	Stewart	.....	F21S 8/088 362/367
217,517	A *	7/1879	Dietz	.....	F21S 8/088 362/367
347,478	A *	8/1886	Eagan	.....	F21S 8/088 362/367

379,265	A *	3/1888	Best	.....	F21S 8/088 362/367
D84,324	S *	6/1931	Bowen	.....	D26/67
D189,984	S *	3/1961	Slaton	.....	D10/114.2
3,056,021	A *	9/1962	Jacobsen	.....	F21S 8/088 362/257
3,321,619	A *	5/1967	Dailey	.....	F21S 8/088 362/367
3,365,571	A *	1/1968	Koziol	.....	F21S 8/088 362/367
D309,788	S *	8/1990	Koziol	.....	D26/67
D439,361	S *	3/2001	Berry	.....	D26/87
D451,622	S *	12/2001	Jones	.....	D26/87
D483,138	S *	12/2003	Chen	.....	D26/67
D483,143	S *	12/2003	Orozco	.....	D26/87
D553,285	S *	10/2007	Curtin	.....	D26/67
D588,294	S *	3/2009	Flores	.....	D26/67
D646,833	S *	10/2011	Chen	.....	D26/67
D694,932	S *	12/2013	Meyer	.....	D26/67
D713,587	S *	9/2014	Clark	.....	D26/85

\* cited by examiner

*Primary Examiner* — Clare E Heflin

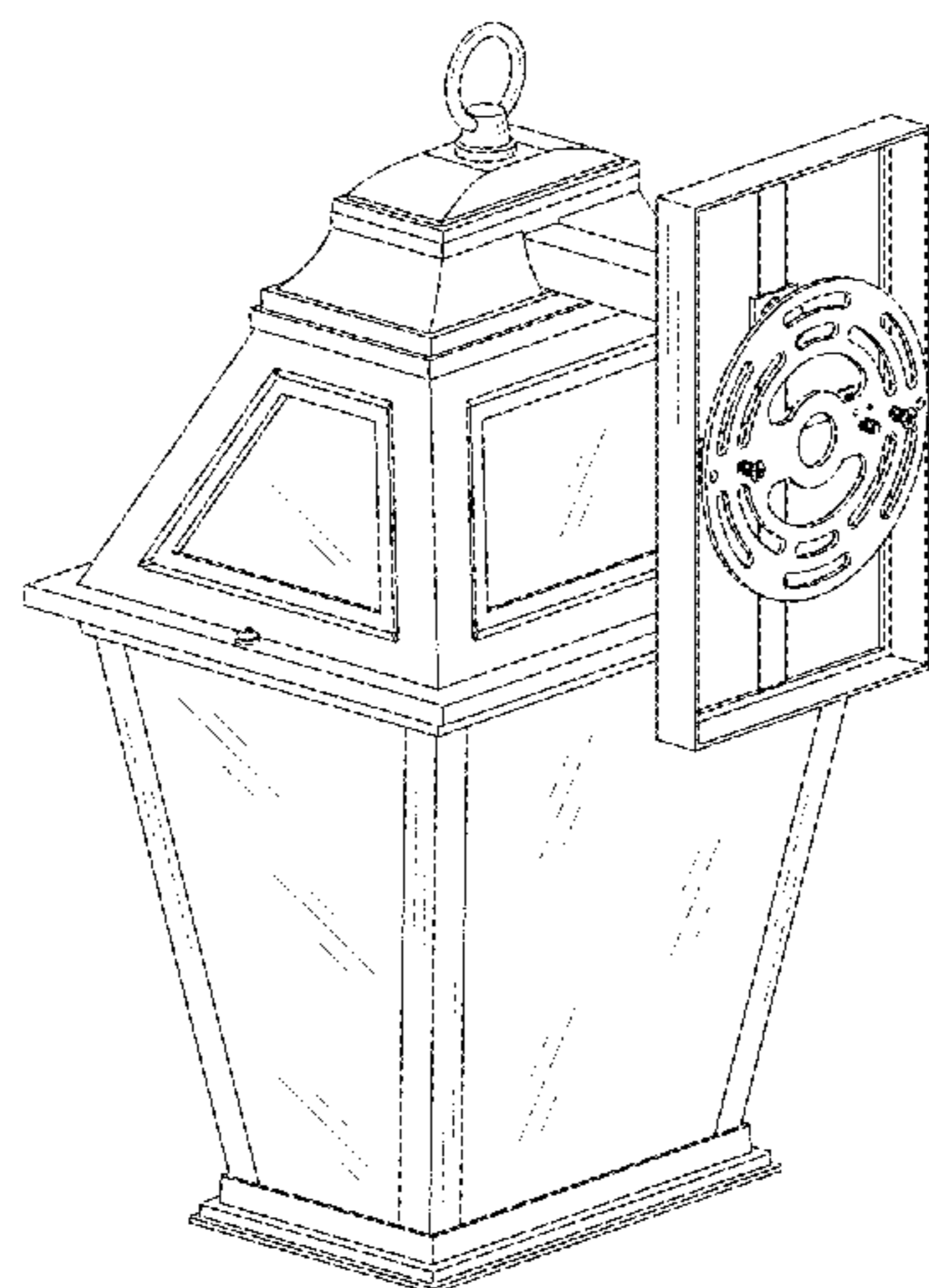
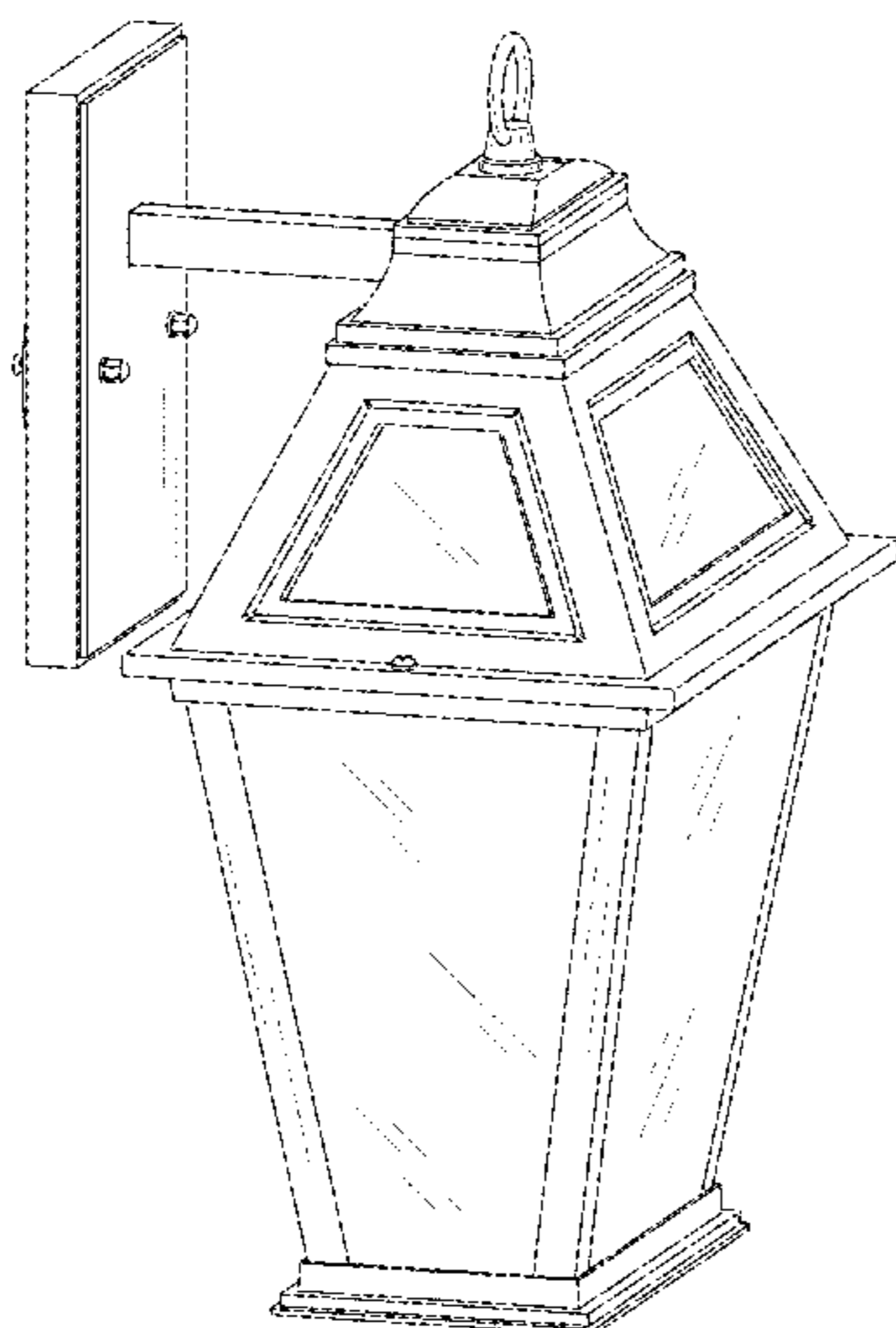
(57) **CLAIM**

The ornamental design for an LED lantern, as shown and described.

**DESCRIPTION**

FIG. 1 is a front elevational view of an LED lantern showing my new design;  
 FIG. 2 is a rear elevational view thereof;  
 FIG. 3 is a left side view thereof;  
 FIG. 4 is a right side view thereof;  
 FIG. 5 is a top plan view thereof;  
 FIG. 6 is a bottom plan view thereof;  
 FIG. 7 is a first perspective view thereof;  
 FIG. 8 is a second perspective view thereof; and,  
 FIG. 9 is a third perspective view thereof.  
 The broken lines shown on the drawings depict portions of the LED lantern that form no part of the claimed design.

**1 Claim, 8 Drawing Sheets**



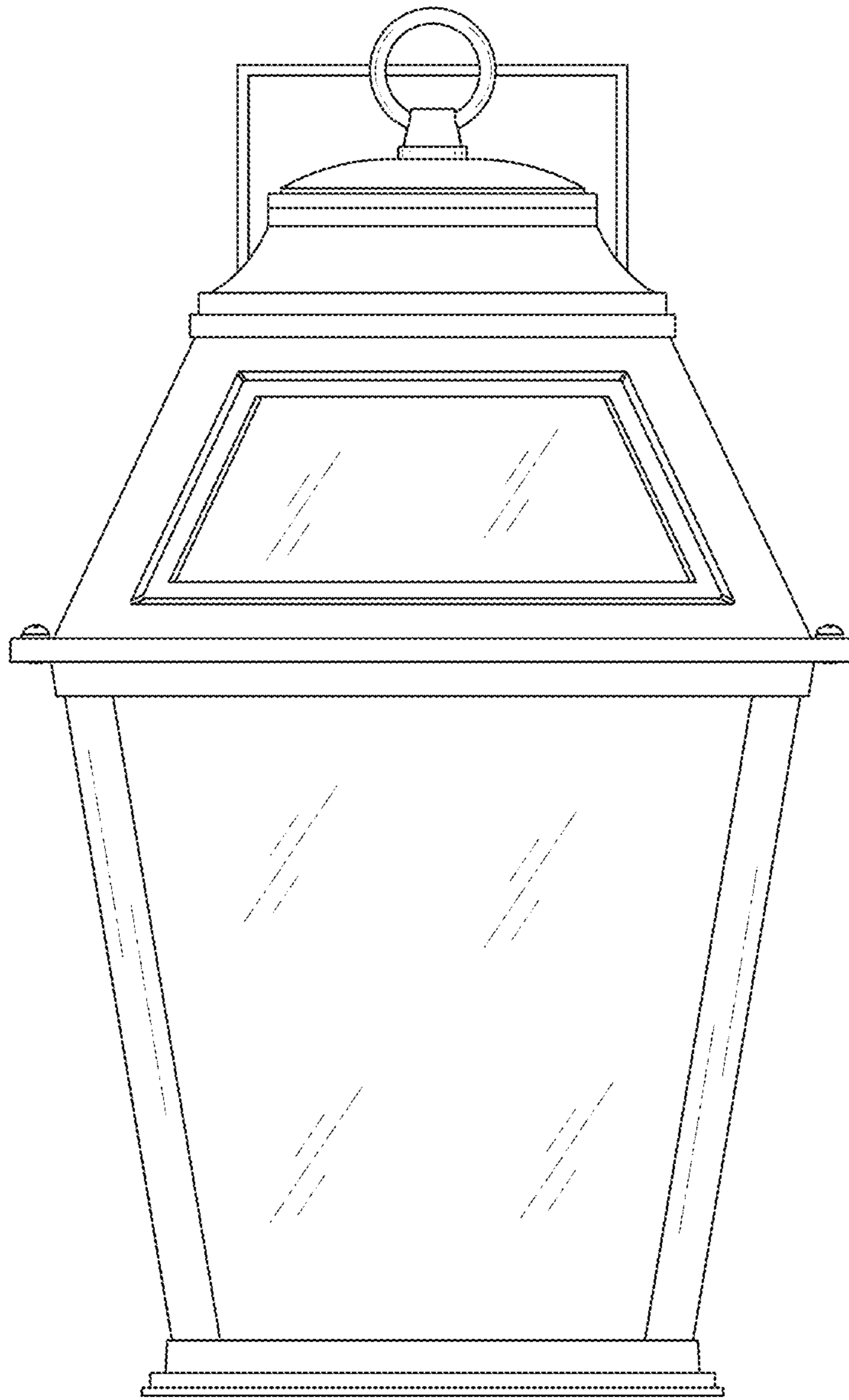


Fig. 1

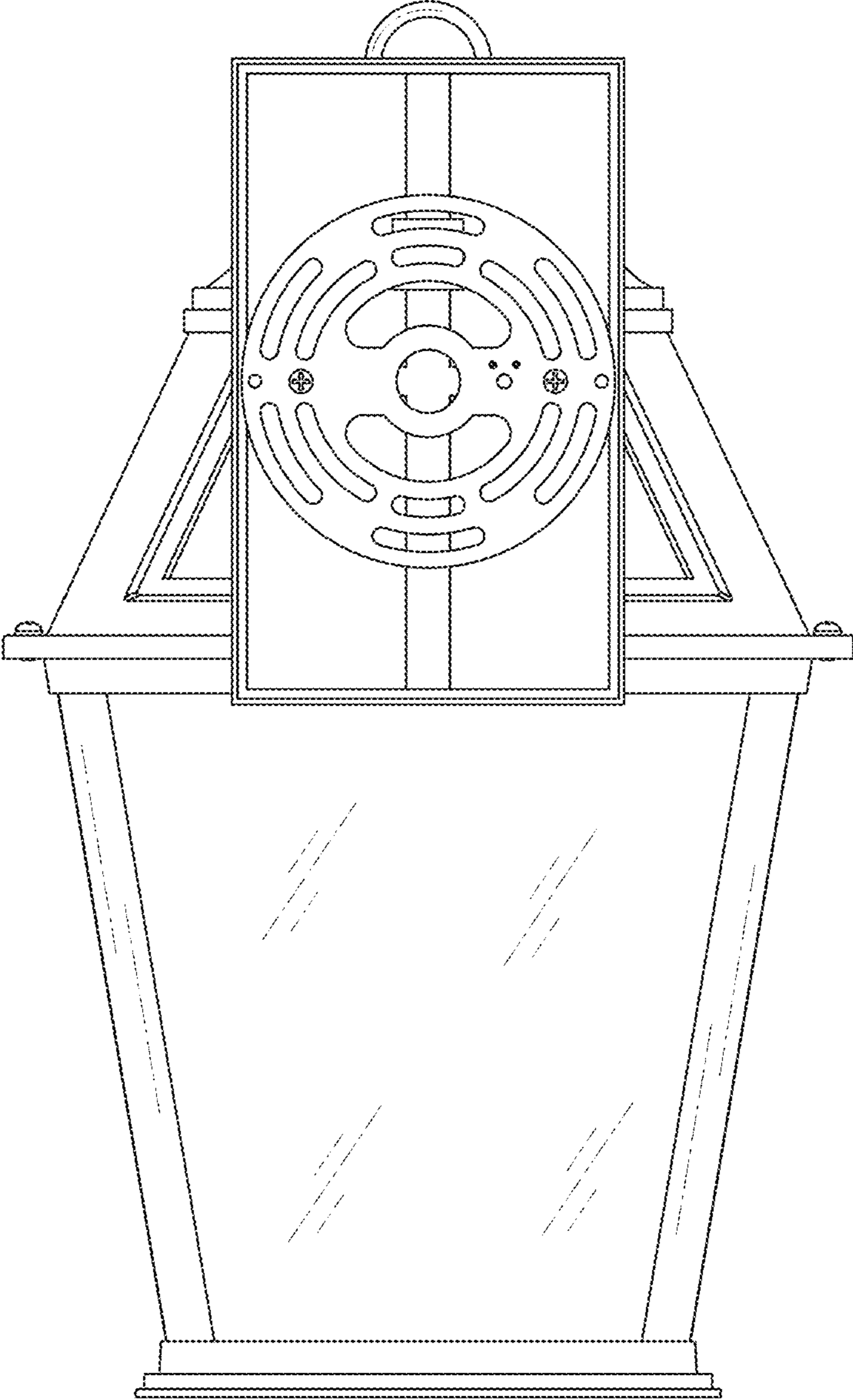


Fig.2

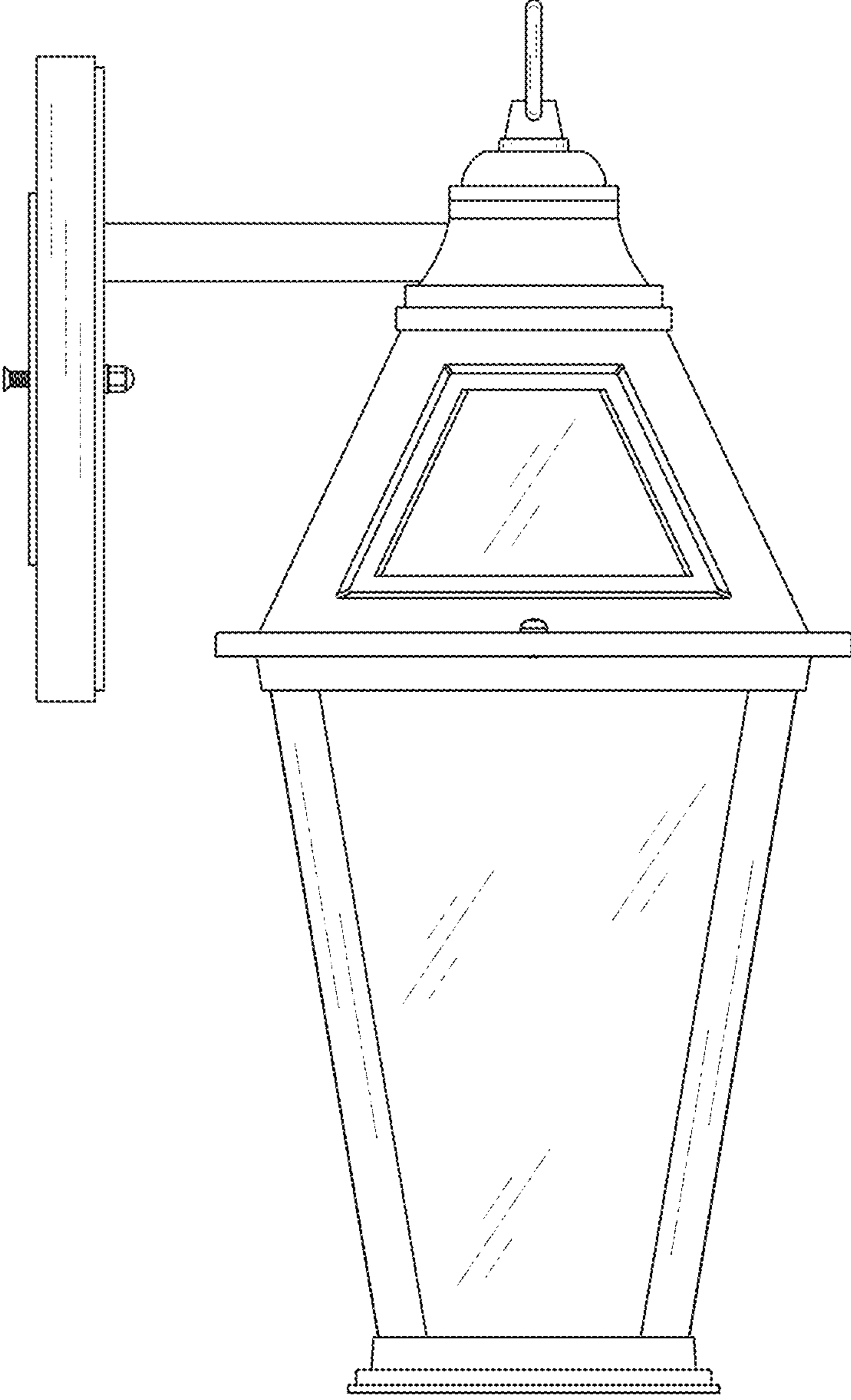


Fig.3

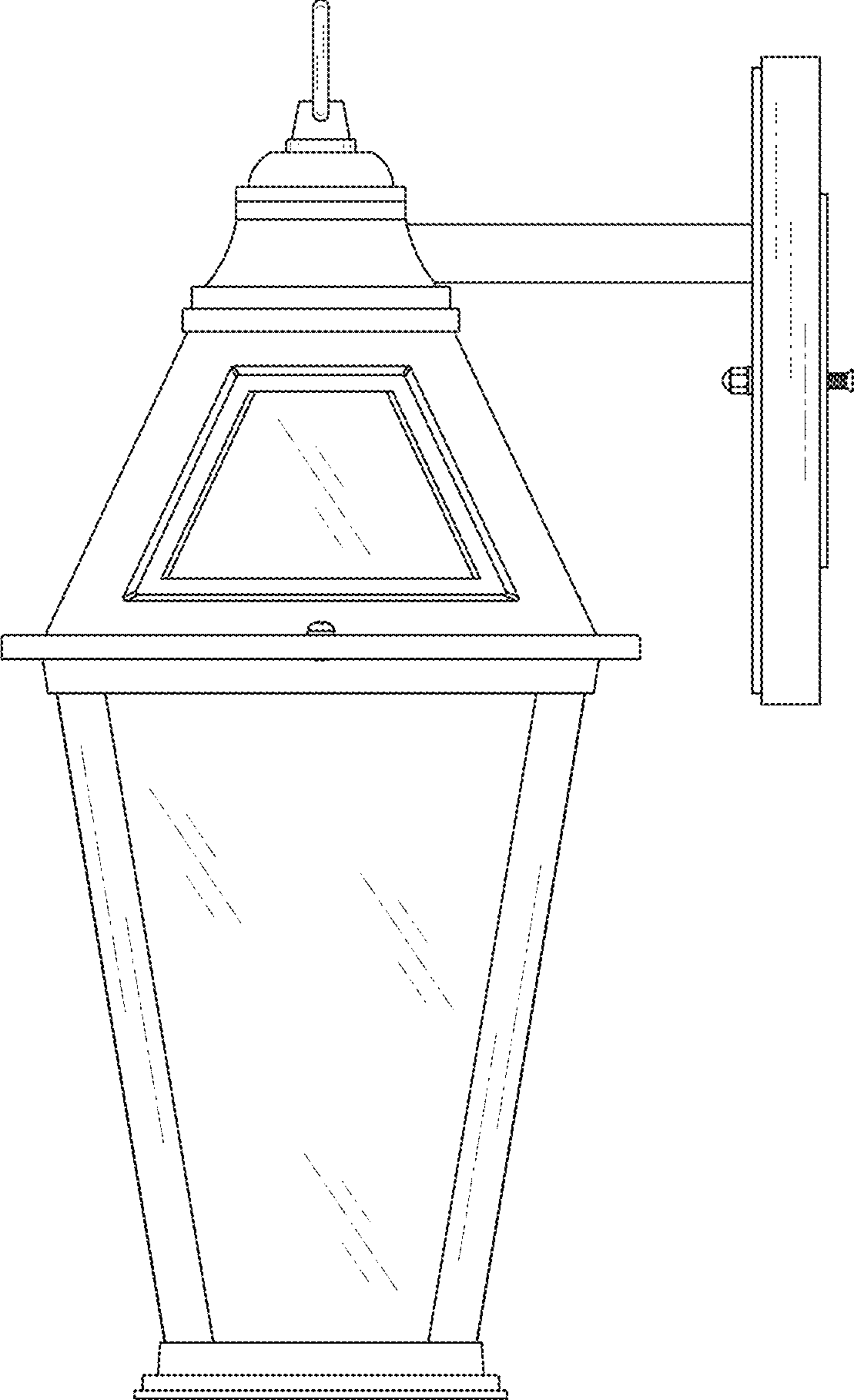


Fig.4



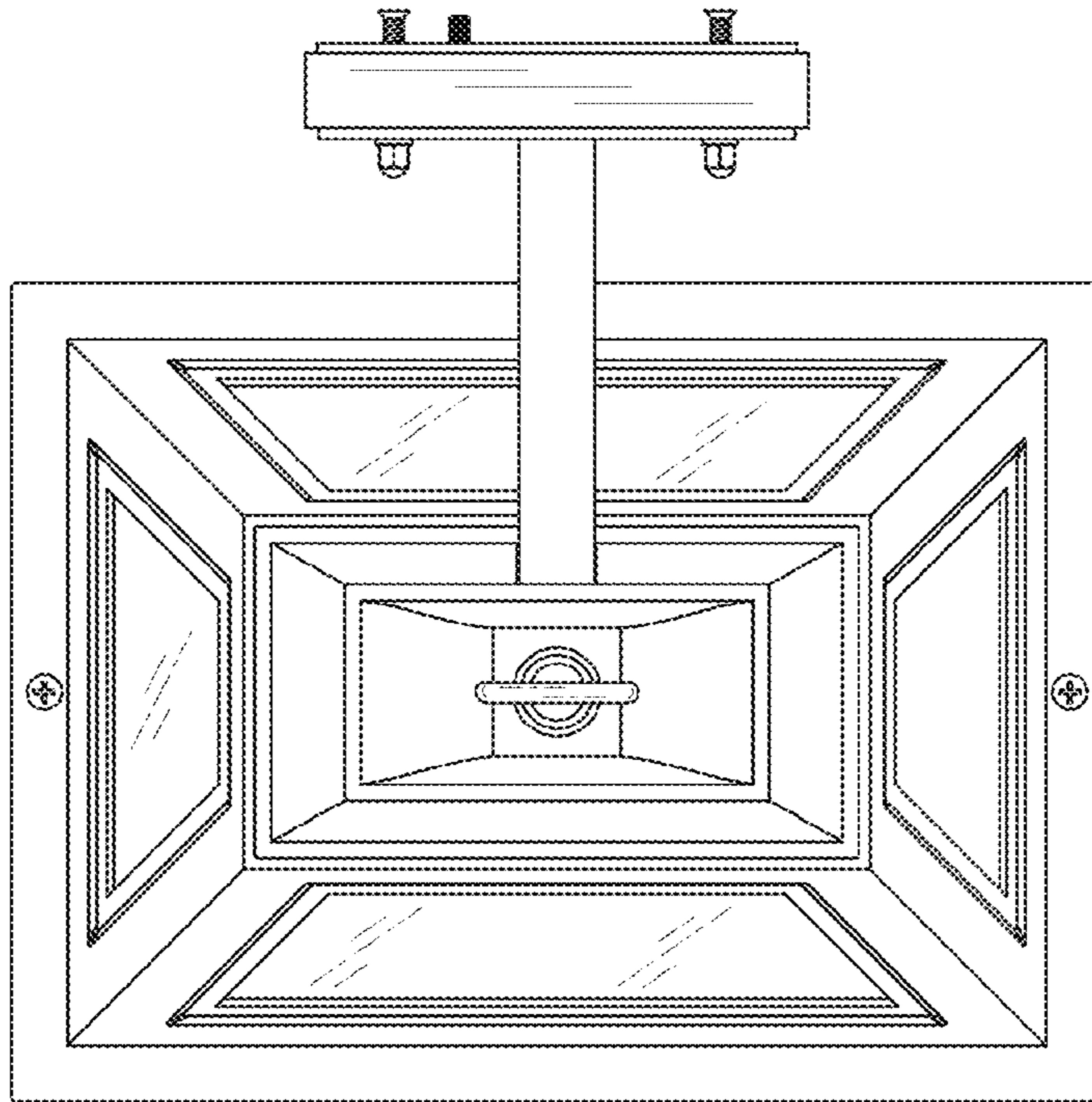


Fig.5

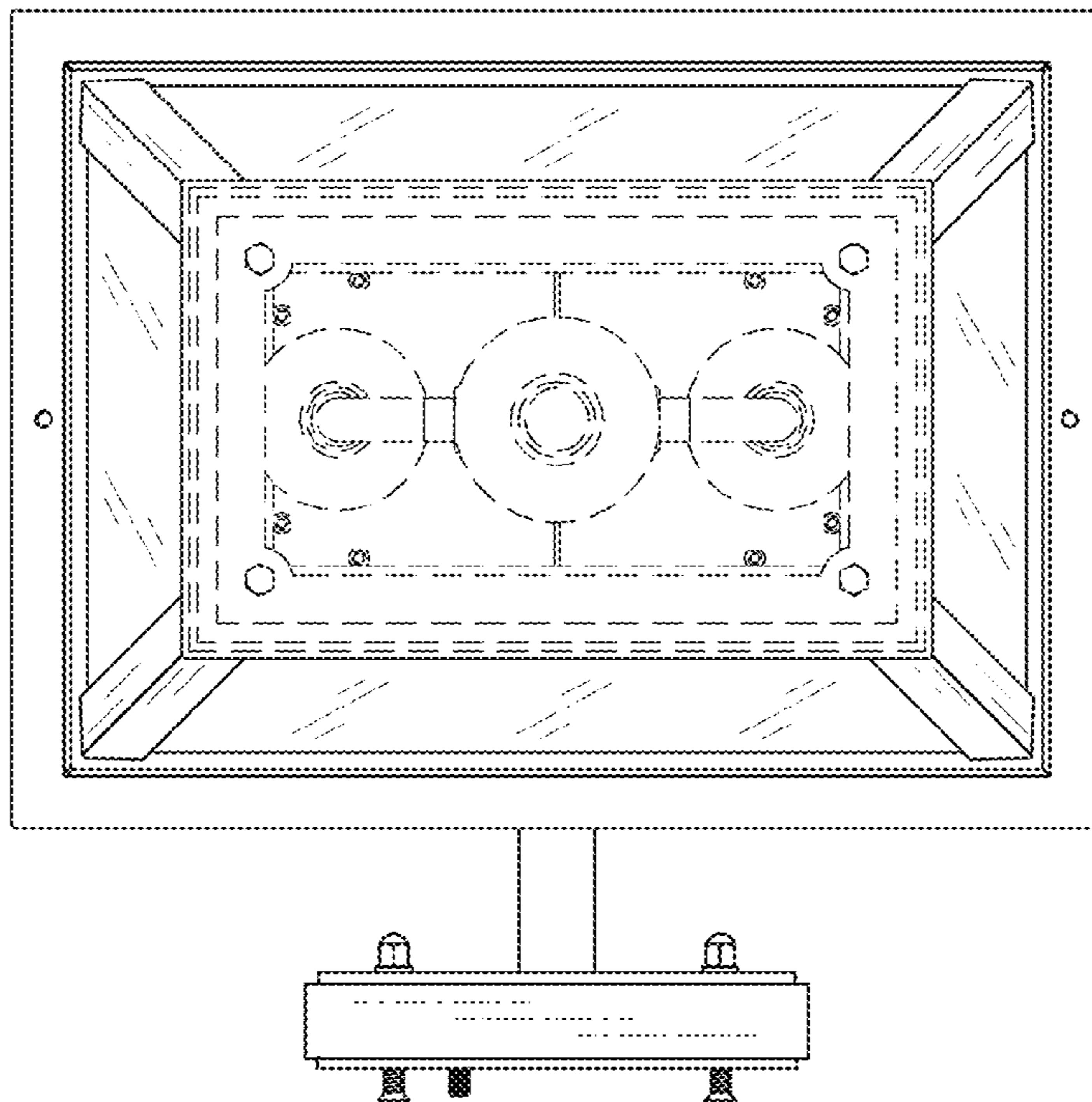


Fig.6

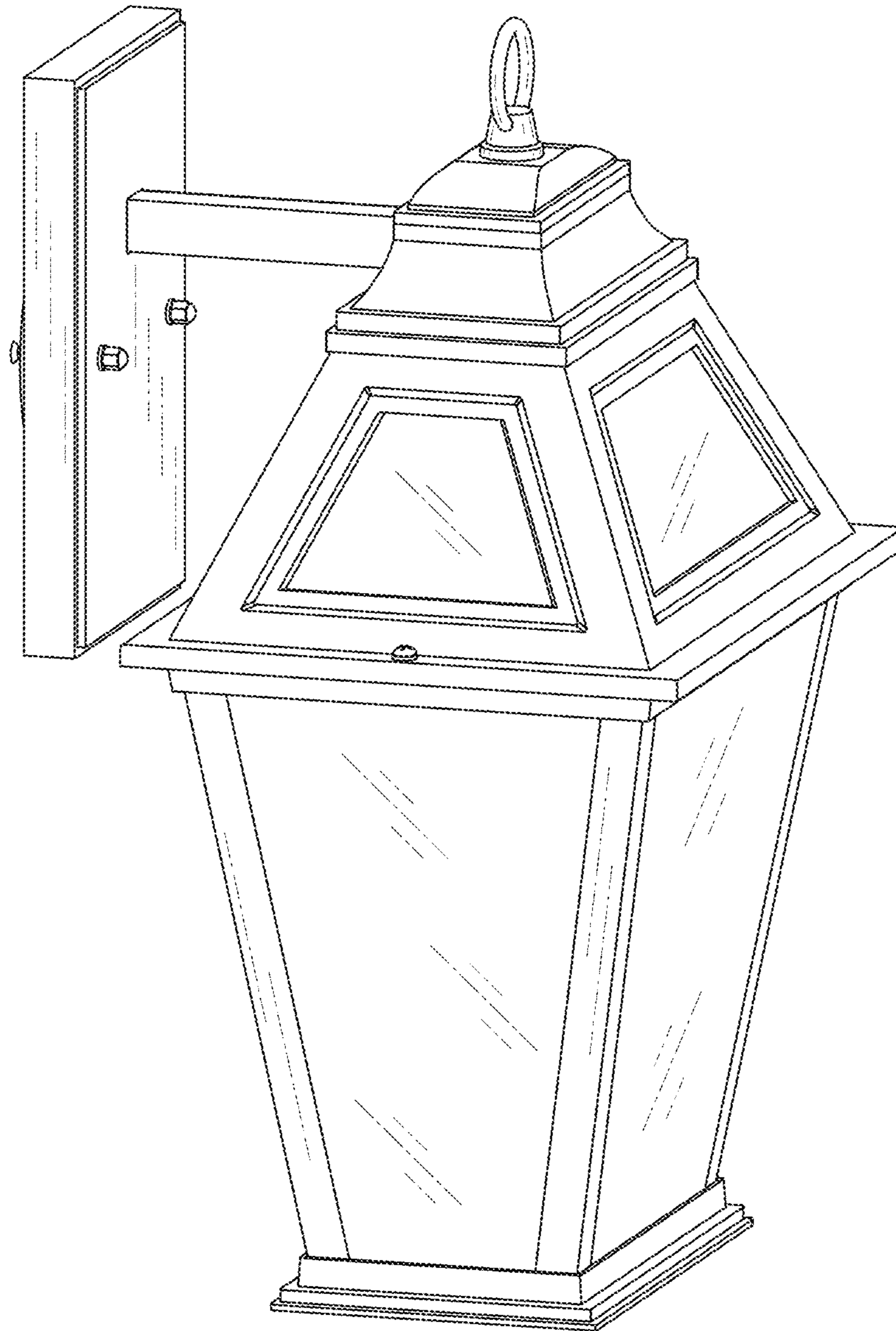


Fig.7

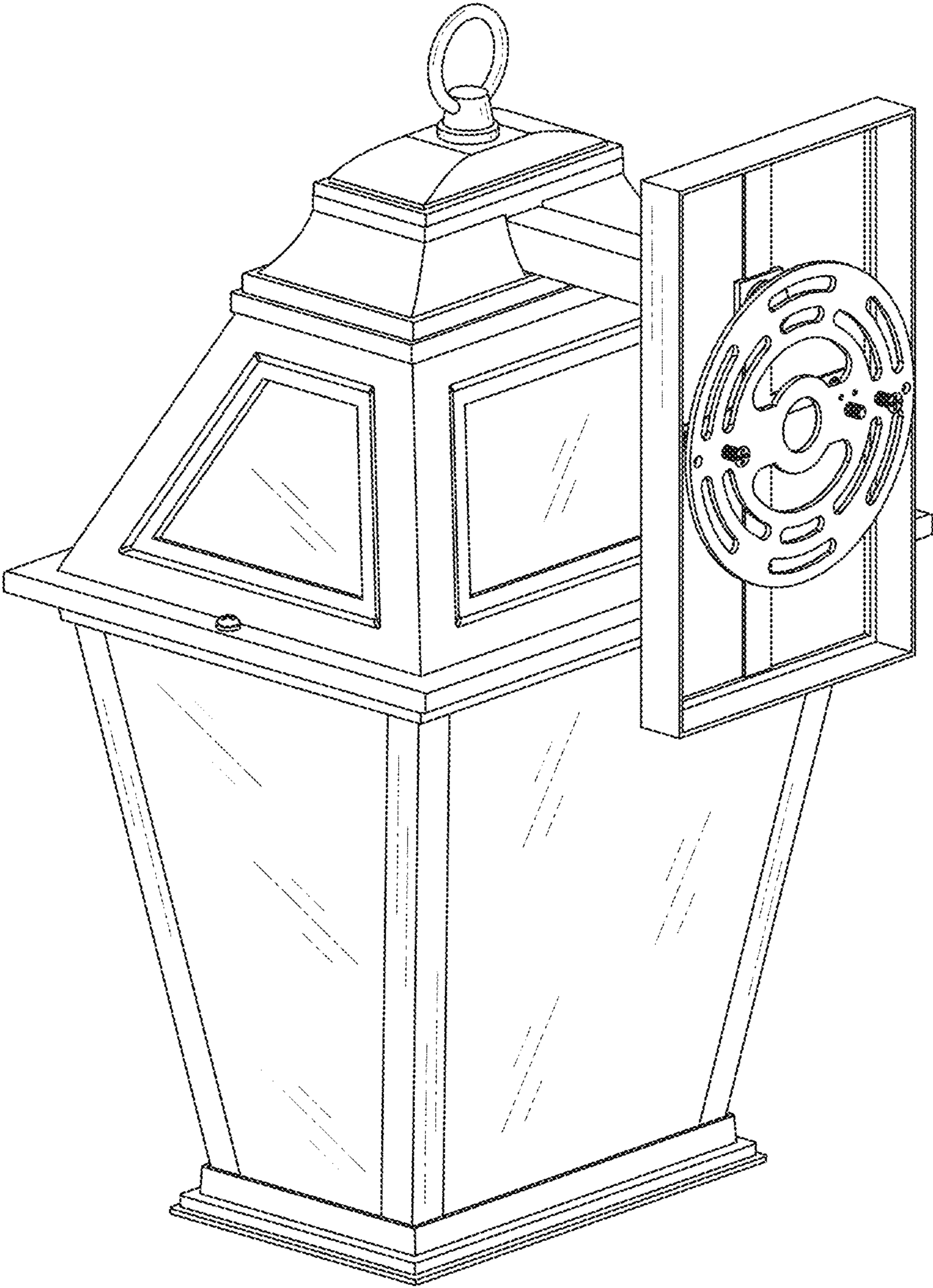


Fig.8



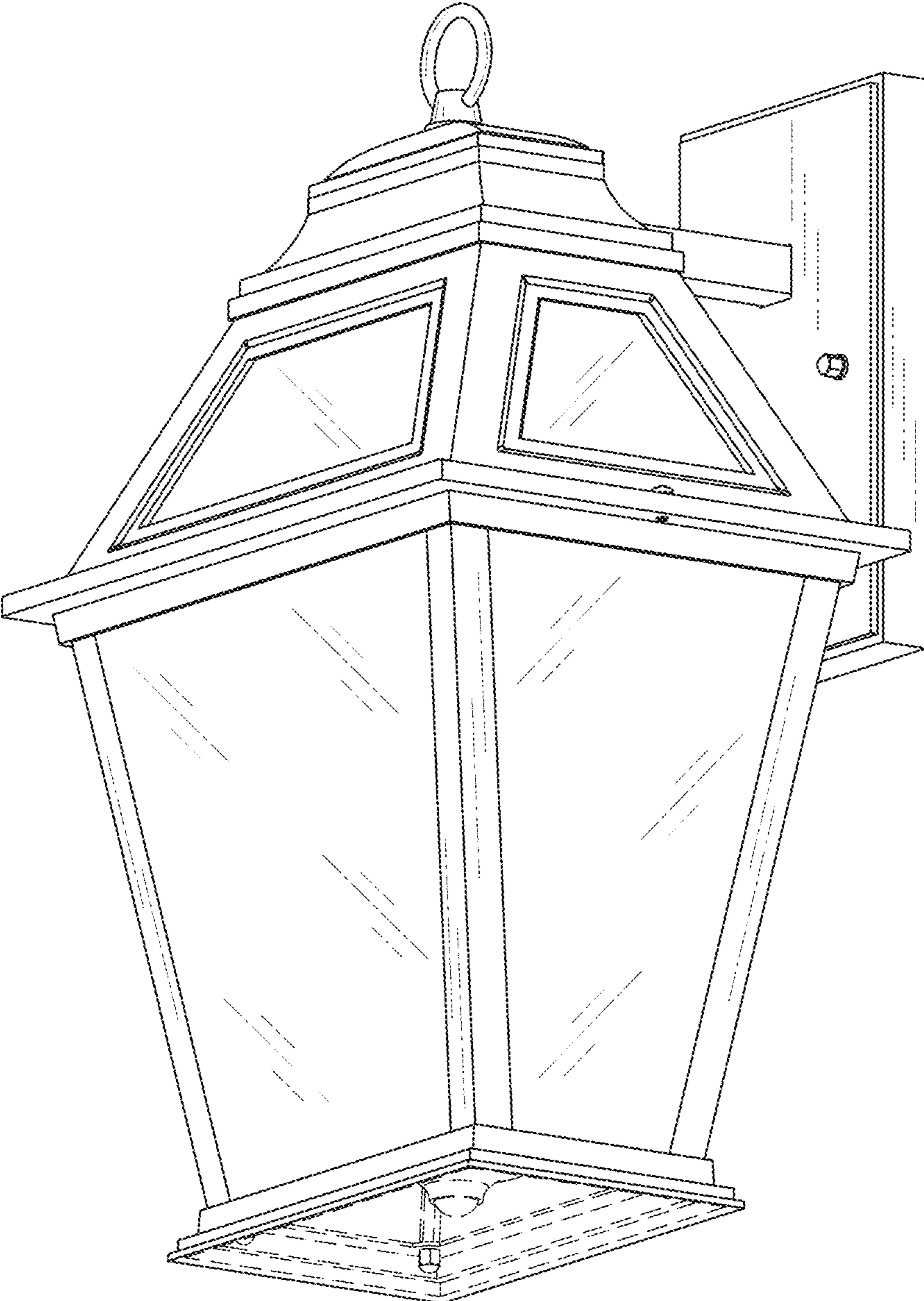


Fig.9