



US00D766488S

(12) **United States Design Patent**  
**Lee et al.**

(10) **Patent No.:** **US D766,488 S**  
(45) **Date of Patent:** **\*\* Sep. 13, 2016**

- (54) **LIGHTING FIXTURE**
- (71) Applicant: **PLUSWELL CO., LTD.**, Incheon (KR)
- (72) Inventors: **Ae-Jung Lee**, Incheon (KR); **Heay-Jin Bae**, Incheon (KR)
- (73) Assignee: **PLUSWELL CO., LTD.**, Incheon (KR)
- (\*\*) Term: **14 Years**
- (21) Appl. No.: **29/511,034**
- (22) Filed: **Dec. 5, 2014**

D672,493 S *	12/2012	Lee	.....	D26/88
D695,439 S *	12/2013	Kim	.....	D26/72
D720,875 S *	1/2015	Greenwaldt	.....	D26/72
D722,718 S *	2/2015	Chen	.....	D26/72
D732,227 S *	6/2015	Blum	.....	D26/88

\* cited by examiner

*Primary Examiner* — Brian N Vinson  
(74) *Attorney, Agent, or Firm* — Rabin & Berdo, P.C.

(30) **Foreign Application Priority Data**

Nov. 17, 2014 (KR) ..... 30-2014-0055180

(51) **LOC (10) Cl.** ..... **26-03**

(52) **U.S. Cl.**  
USPC ..... **D26/81**

(58) **Field of Classification Search**  
USPC ..... D26/24, 26, 59, 72, 85, 88, 89, 118,  
D26/128, 130, 134-136  
CPC ..... F21S 8/04; F21S 8/06; F21S 8/061;  
F21S 8/063; F21S 8/068; F21V 15/01;  
F21V 29/70; F21V 29/02; F21V 29/76  
See application file for complete search history.

(56) **References Cited**

**U.S. PATENT DOCUMENTS**

D653,376 S *	1/2012	Kong	.....	D26/72
D670,020 S *	10/2012	Herremans	.....	D26/88

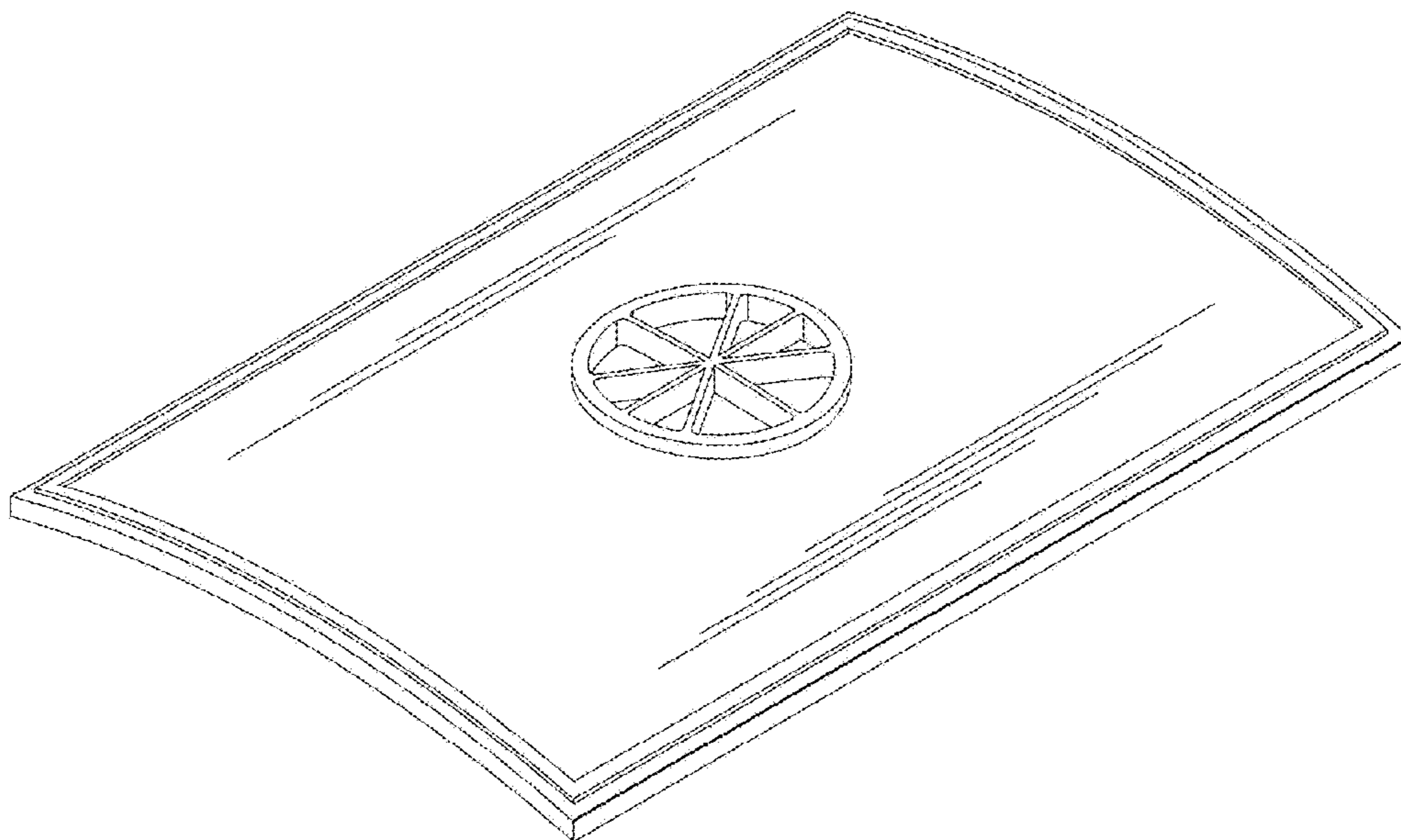
(57) **CLAIM**

The ornamental design for a lighting fixture, as shown and described.

**DESCRIPTION**

FIG. 1 is a front-side perspective view of a lighting fixture showing my new design;  
FIG. 2 is a front elevational view thereof, the rear side being mirror image thereof;  
FIG. 3 is a left side elevational view thereof, the right side being mirror image thereof;  
FIG. 4 is a top view thereof;  
FIG. 5 is a bottom view thereof; and,  
FIG. 6 is a rear-side perspective view of a lighting fixture showing my new design.  
The broken lines in the disclosure represent portions of the lighting fixture which form no part of the claimed design.

**1 Claim, 5 Drawing Sheets**



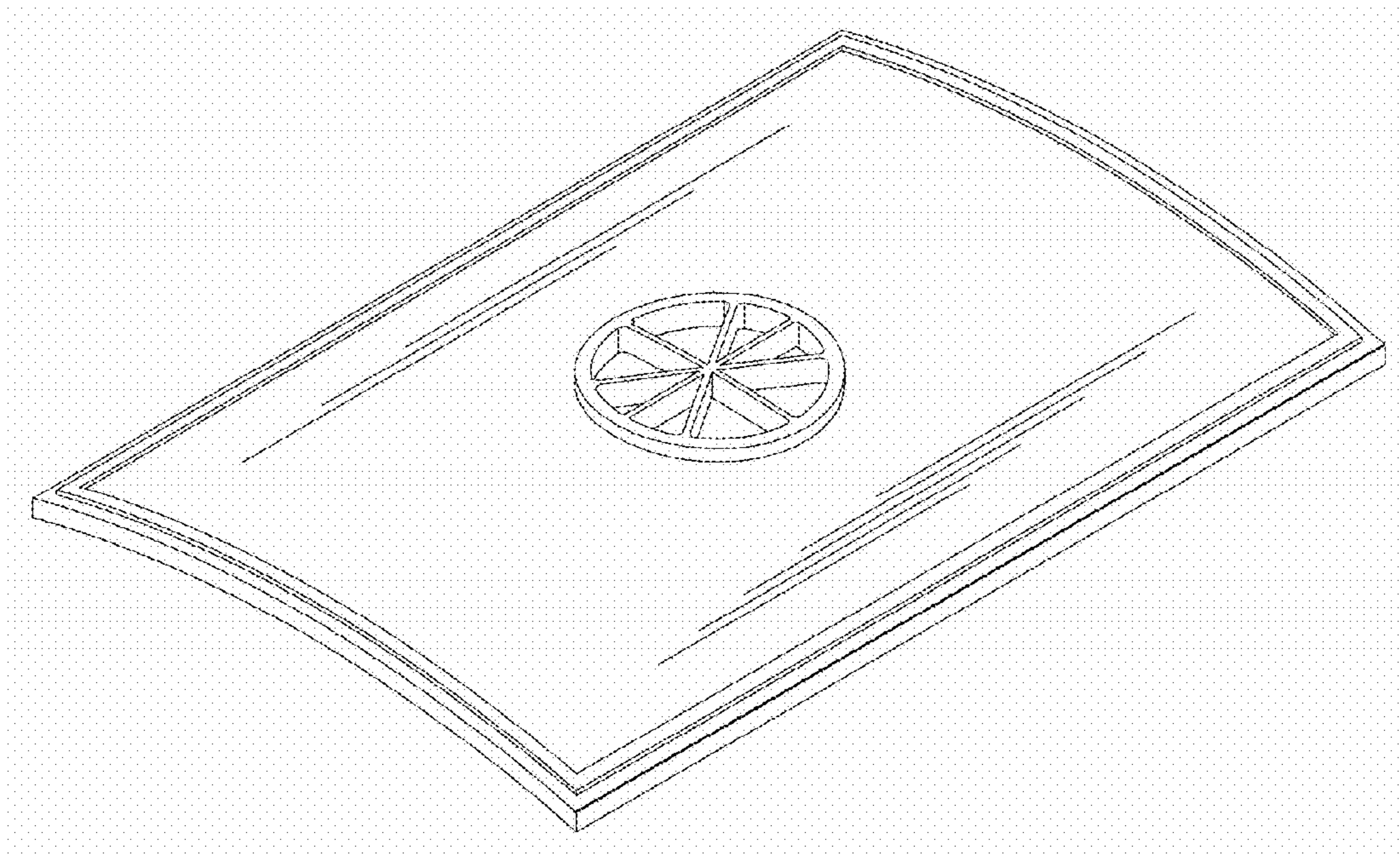


FIG. 1

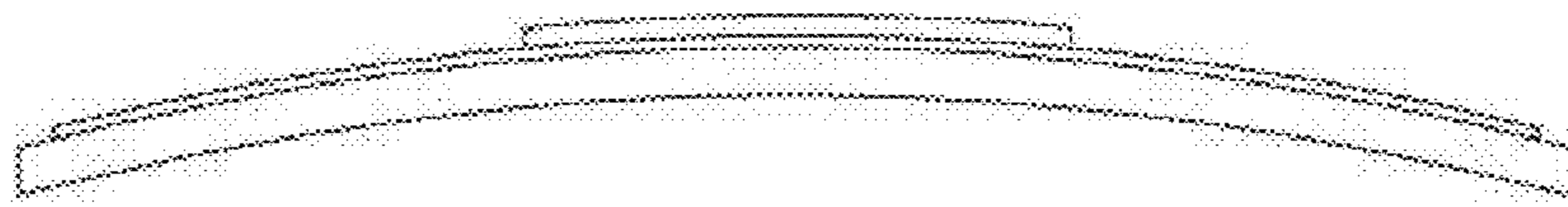


FIG. 2

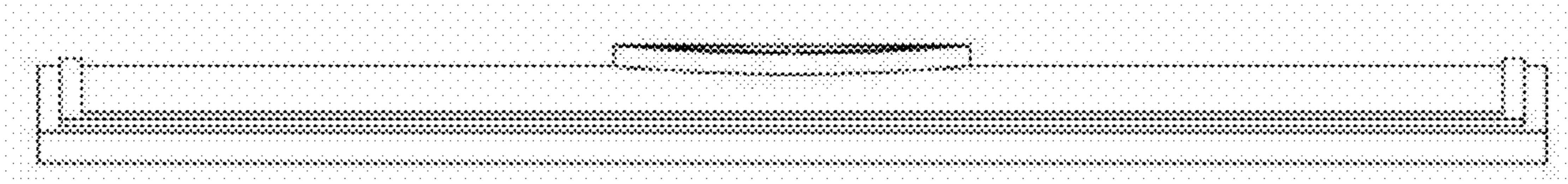


FIG. 3

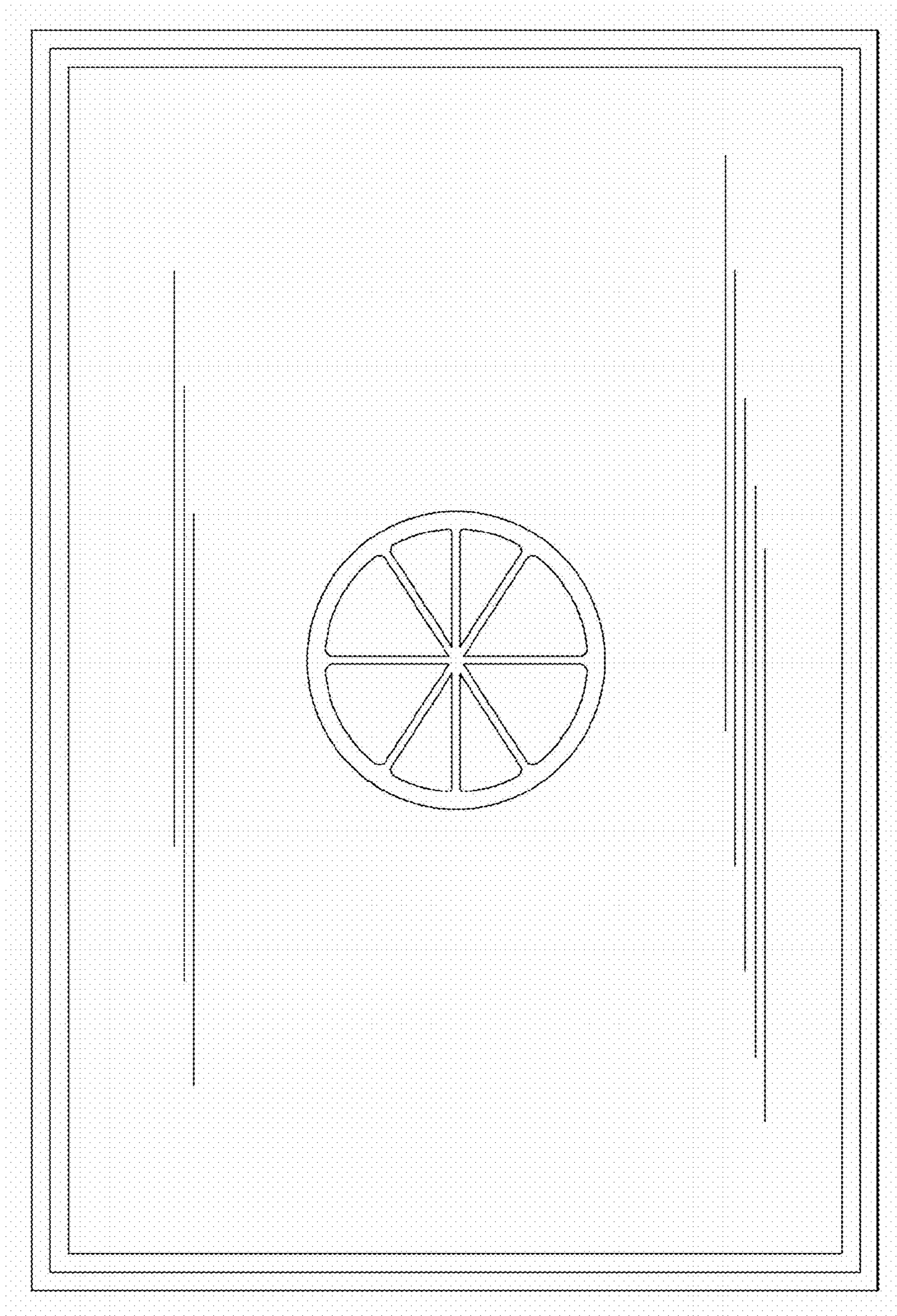


FIG. 4

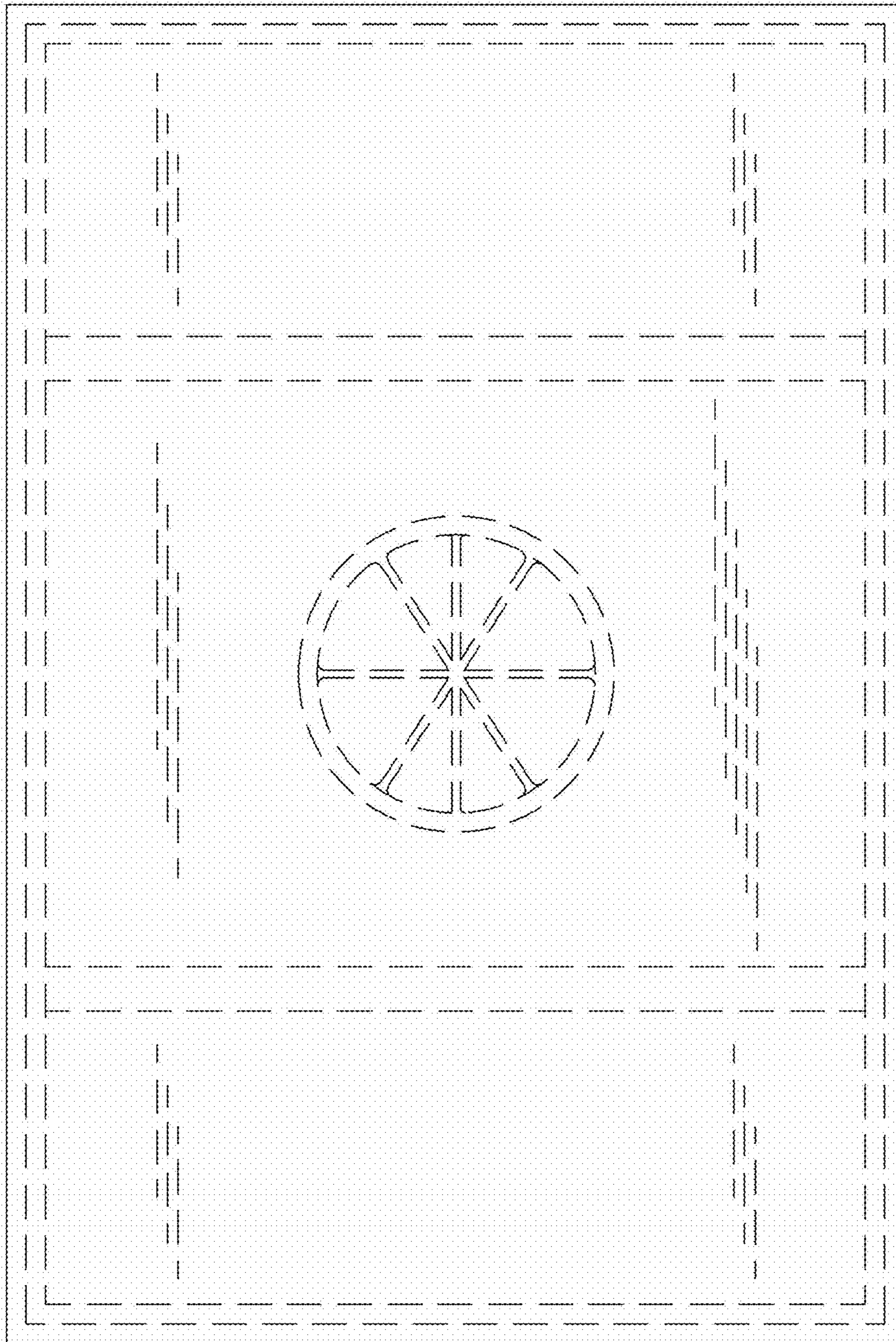


FIG. 5

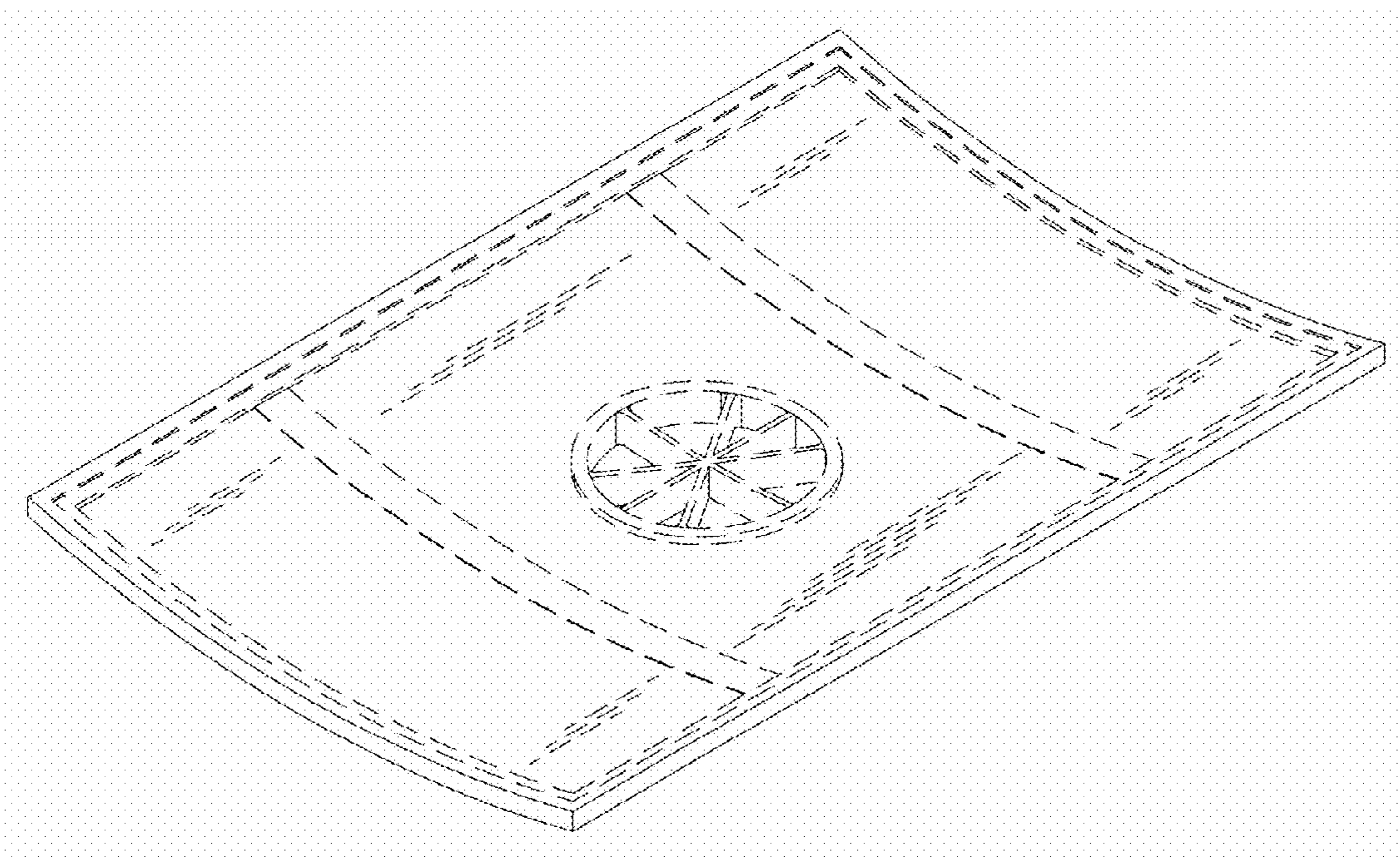


FIG. 6