



US00D766487S

(12) **United States Design Patent** (10) **Patent No.:** **US D766,487 S**
Cai et al. (45) **Date of Patent:** **** Sep. 13, 2016**

(54) **LIGHT**

(71) Applicant: **NINGBO YUSING OPTOELECTRONIC TECHNOLOGY CO., LTD.**, Ningbo, Zhejiang (CN)

(72) Inventors: **Xiaoyu Cai**, Ningbo (CN); **Liang Zhang**, Ningbo (CN)

(73) Assignee: **NINGBO YUSING OPTOELECTRONICS TECHNOLOGY CO., LTD.**, Ningbo (CN)

(**) Term: **14 Years**

(21) Appl. No.: **29/519,798**

(22) Filed: **Mar. 9, 2015**

(30) **Foreign Application Priority Data**

Oct. 28, 2014 (CN) 2014 3 0413614

(51) **LOC (10) Cl.** **26-03**

(52) **U.S. Cl.**
USPC **D26/76**

(58) **Field of Classification Search**
USPC D26/24, 39, 59, 67, 68, 69, 70, 71, 72, D26/74, 76, 77, 80, 88, 89, 98, 138, 139, D26/140, 141, 142, 151, 152
CPC F24S 4/001; F24S 4/005; F24S 8/00; F24S 8/04; F24S 8/043; F24S 8/046; F24S 8/06-8/065; F24S 13/02; F24S 13/04; F24S 13/06

See application file for complete search history.

(56) **References Cited**

U.S. PATENT DOCUMENTS

D476,102 S *	6/2003	Ciavolino	D26/37
D520,667 S *	5/2006	Jae-Sung	D26/76
D569,025 S *	5/2008	Hakamada	D26/74
D569,027 S *	5/2008	Hakamada	D26/76
D629,554 S *	12/2010	Gielen	D26/76
D633,244 S *	2/2011	Kramer	D26/80
D702,390 S *	4/2014	Clark	D26/76
D729,423 S *	5/2015	Noh	D26/24

* cited by examiner

Primary Examiner — George D Kirschbaum

Assistant Examiner — Natasha Vujcic

(57) **CLAIM**

The ornamental design for a light, as shown and described.

DESCRIPTION

FIG. 1 is a front elevational view of a light showing our new design;

FIG. 2 is a rear elevational view thereof;

FIG. 3 is a right side view thereof;

FIG. 4 is a left side view thereof;

FIG. 5 is a bottom plan view thereof;

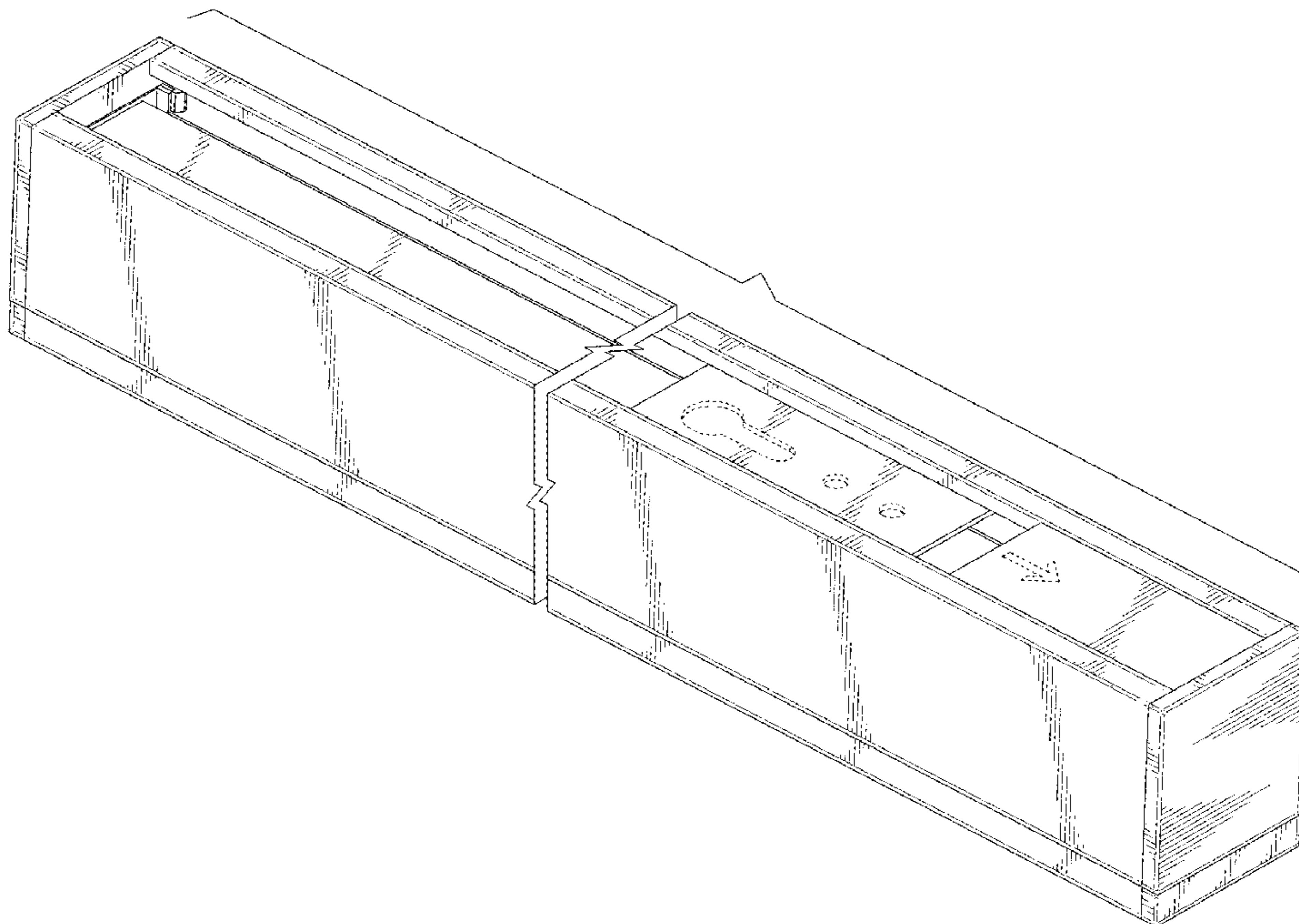
FIG. 6 is a top plan view thereof;

FIG. 7 is a first perspective view thereof; and,

FIG. 8 is a second perspective view thereof.

The break lines in the figures indicate that the appearance of any portion of the light between the break lines forms no part of the claimed design.

1 Claim, 7 Drawing Sheets



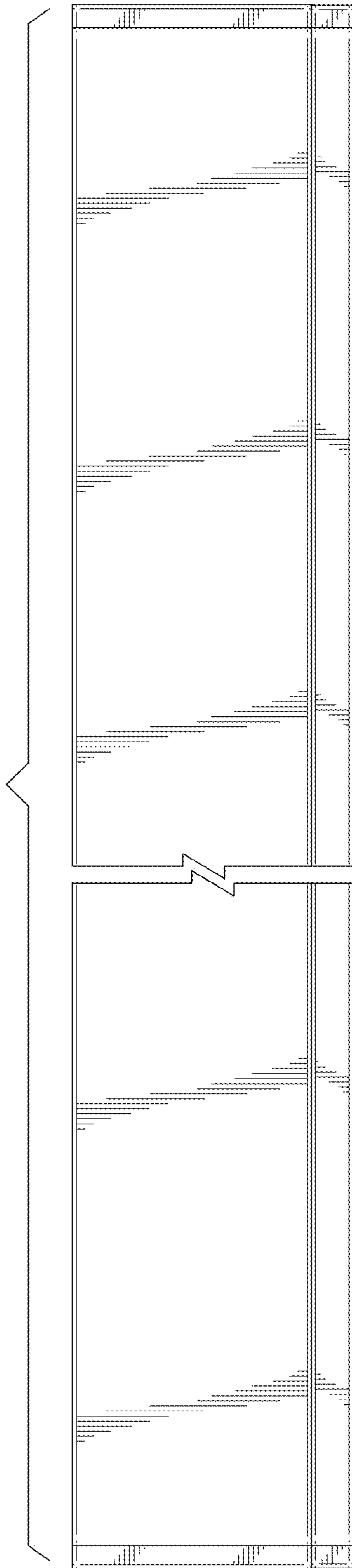


FIG.1

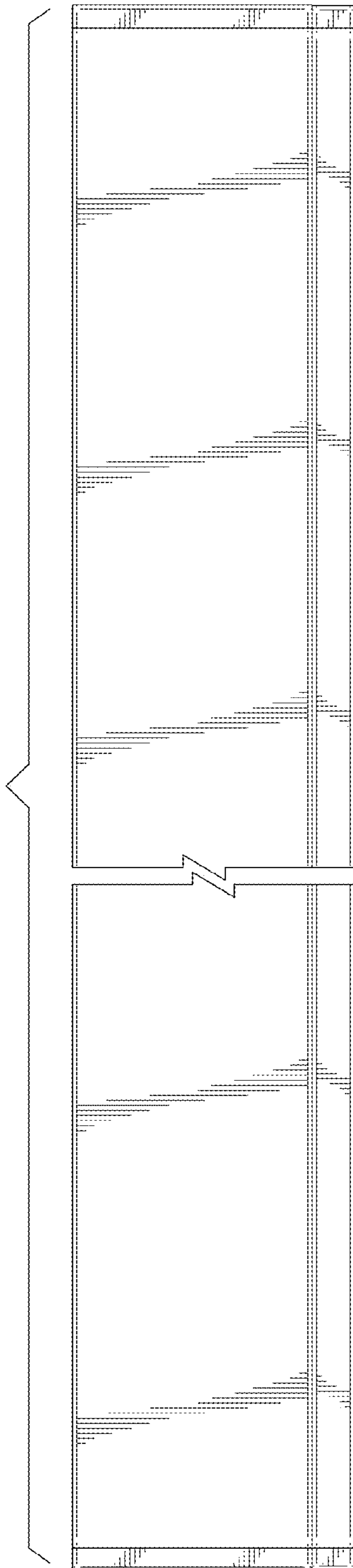


FIG.2

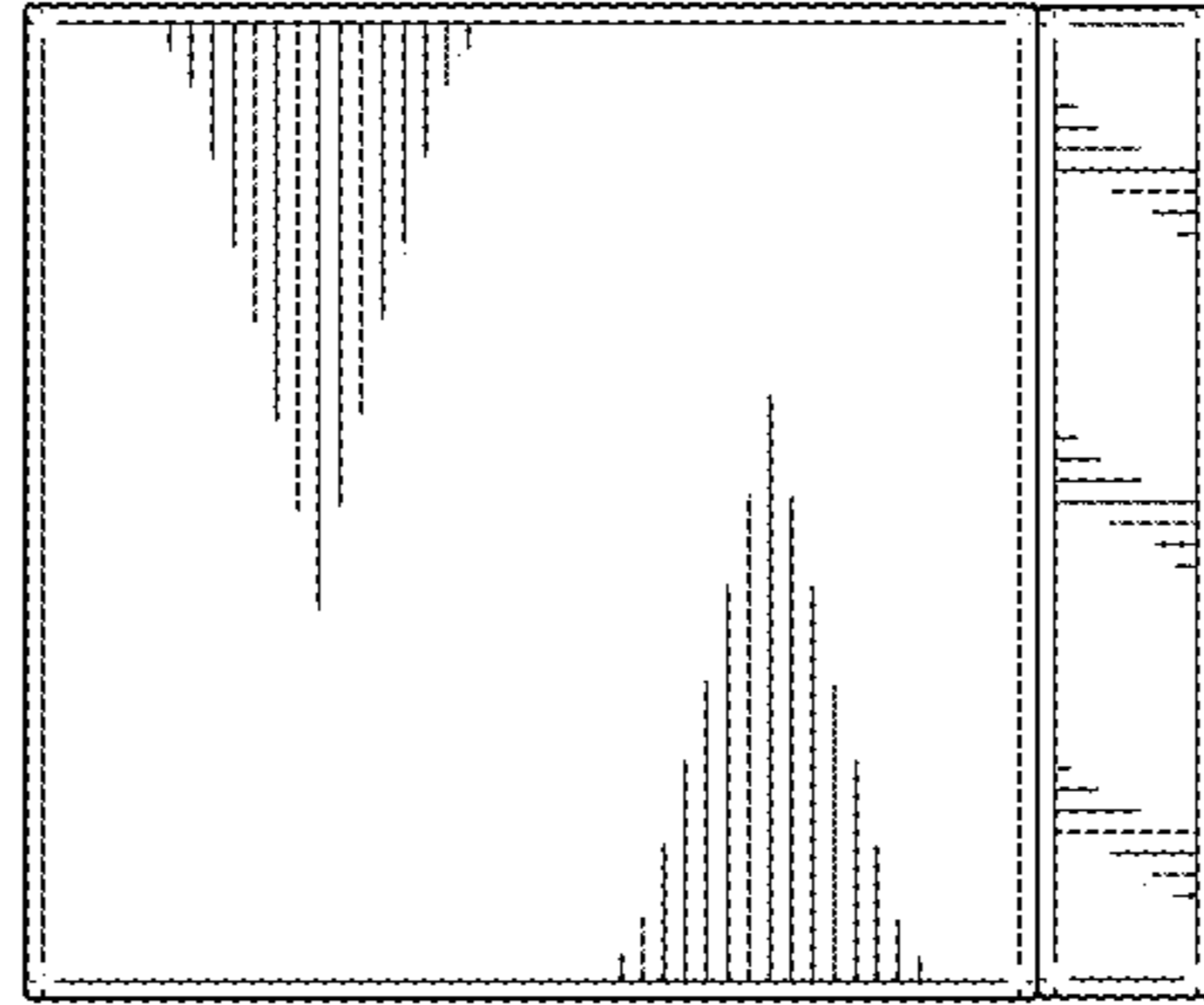


FIG.4

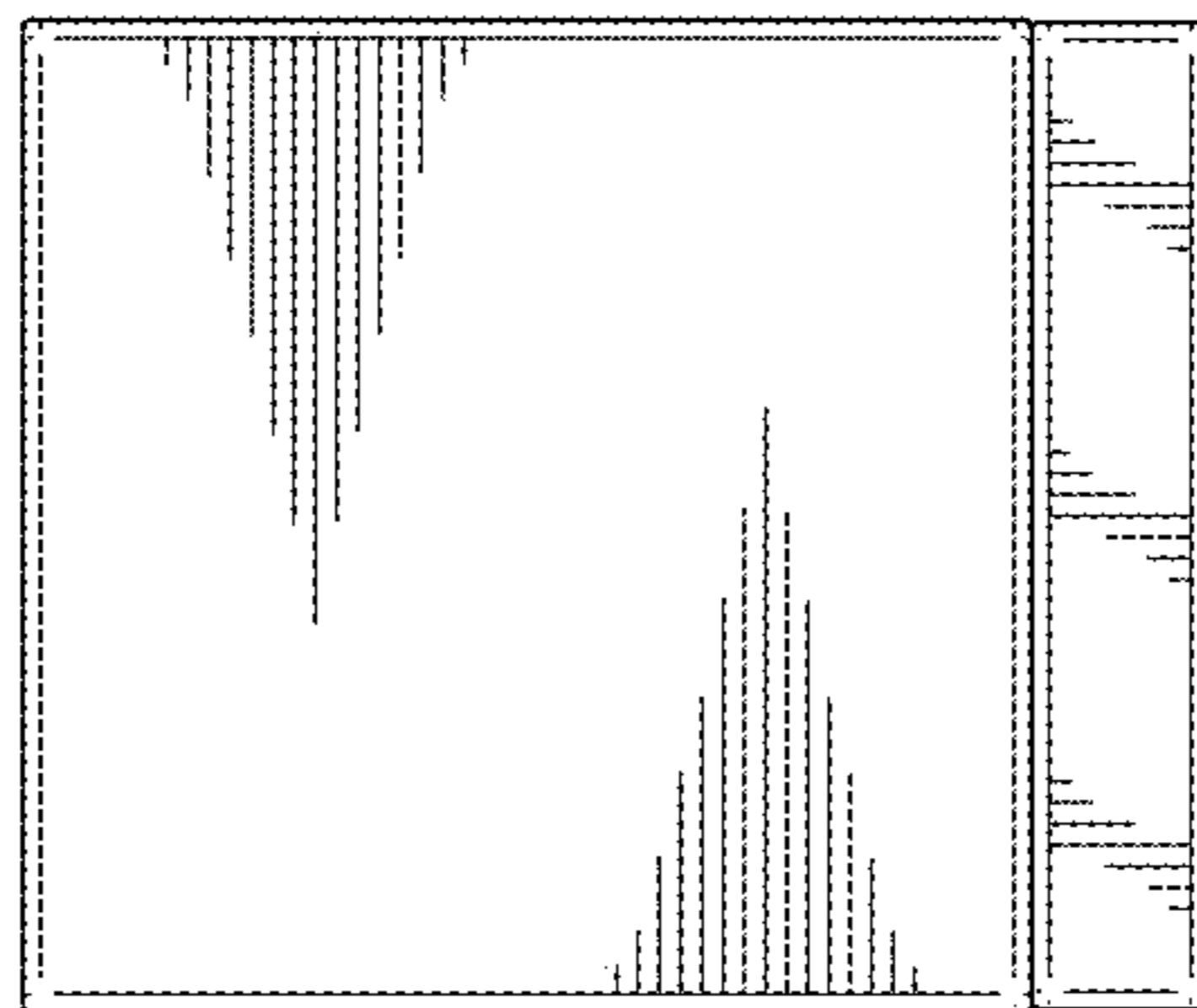


FIG.3

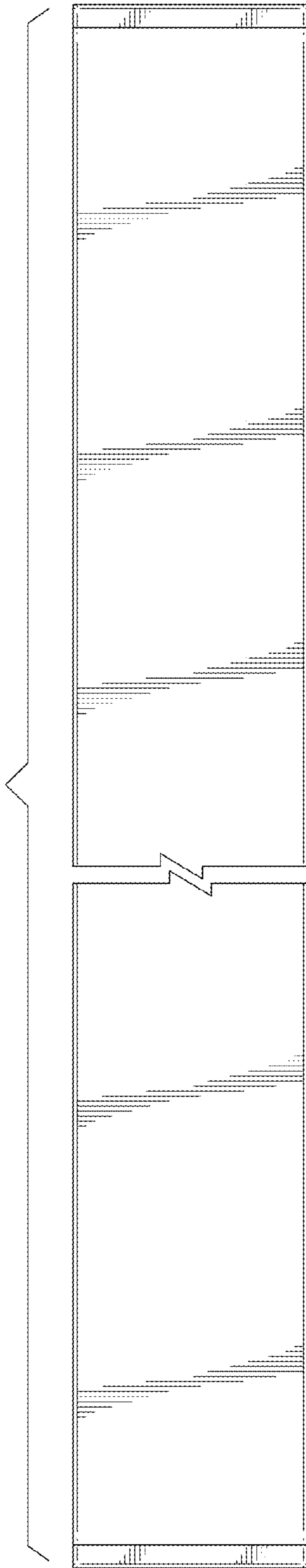


FIG.5

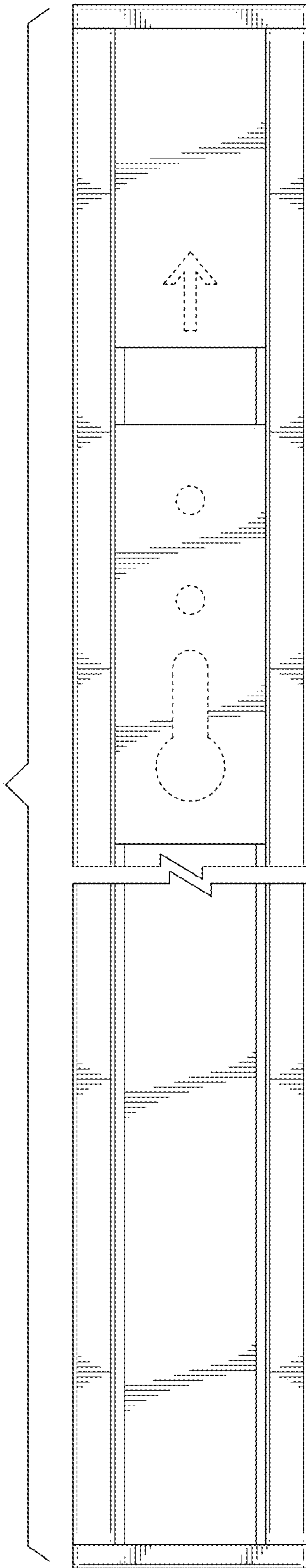


FIG.6

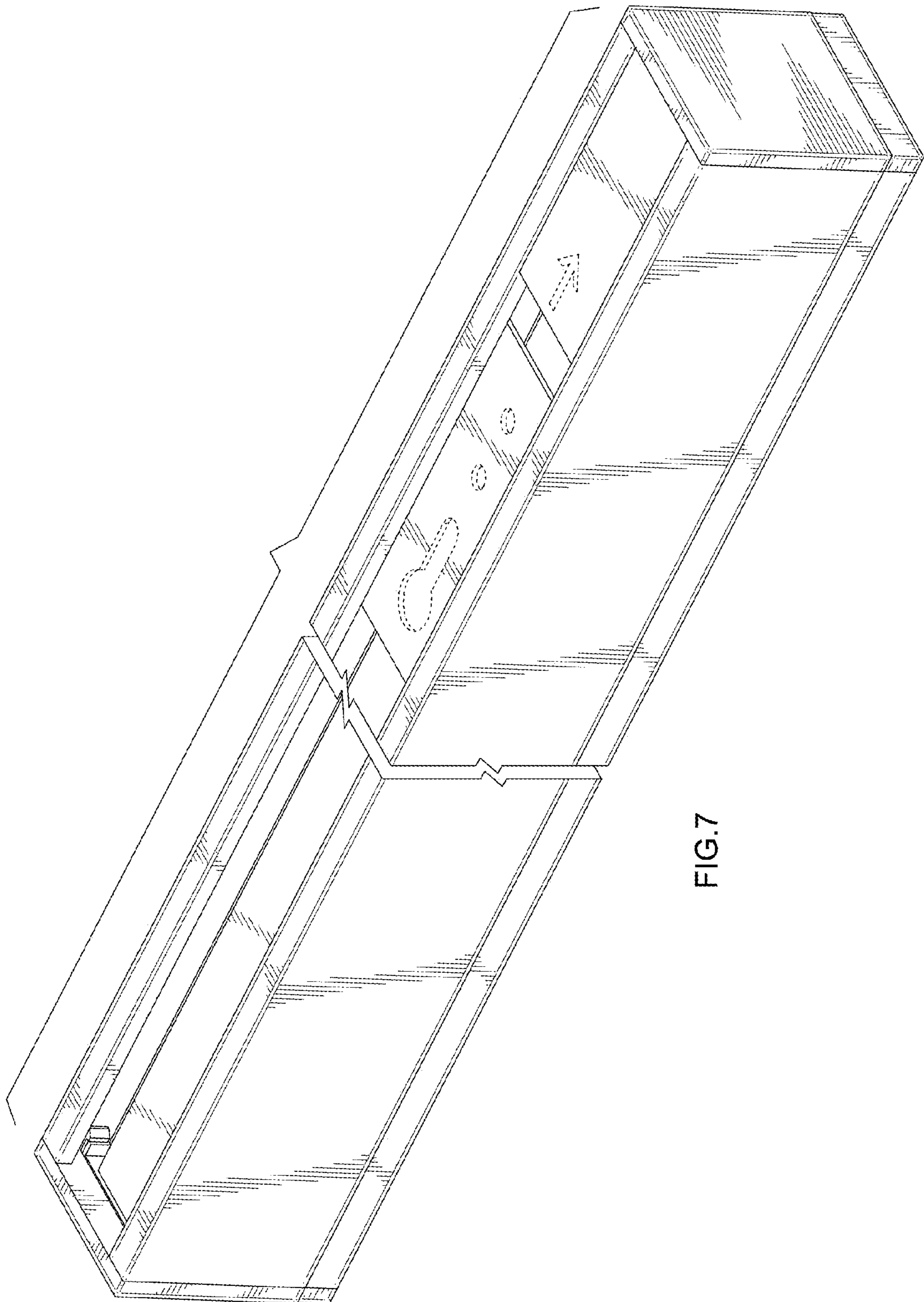


FIG.7

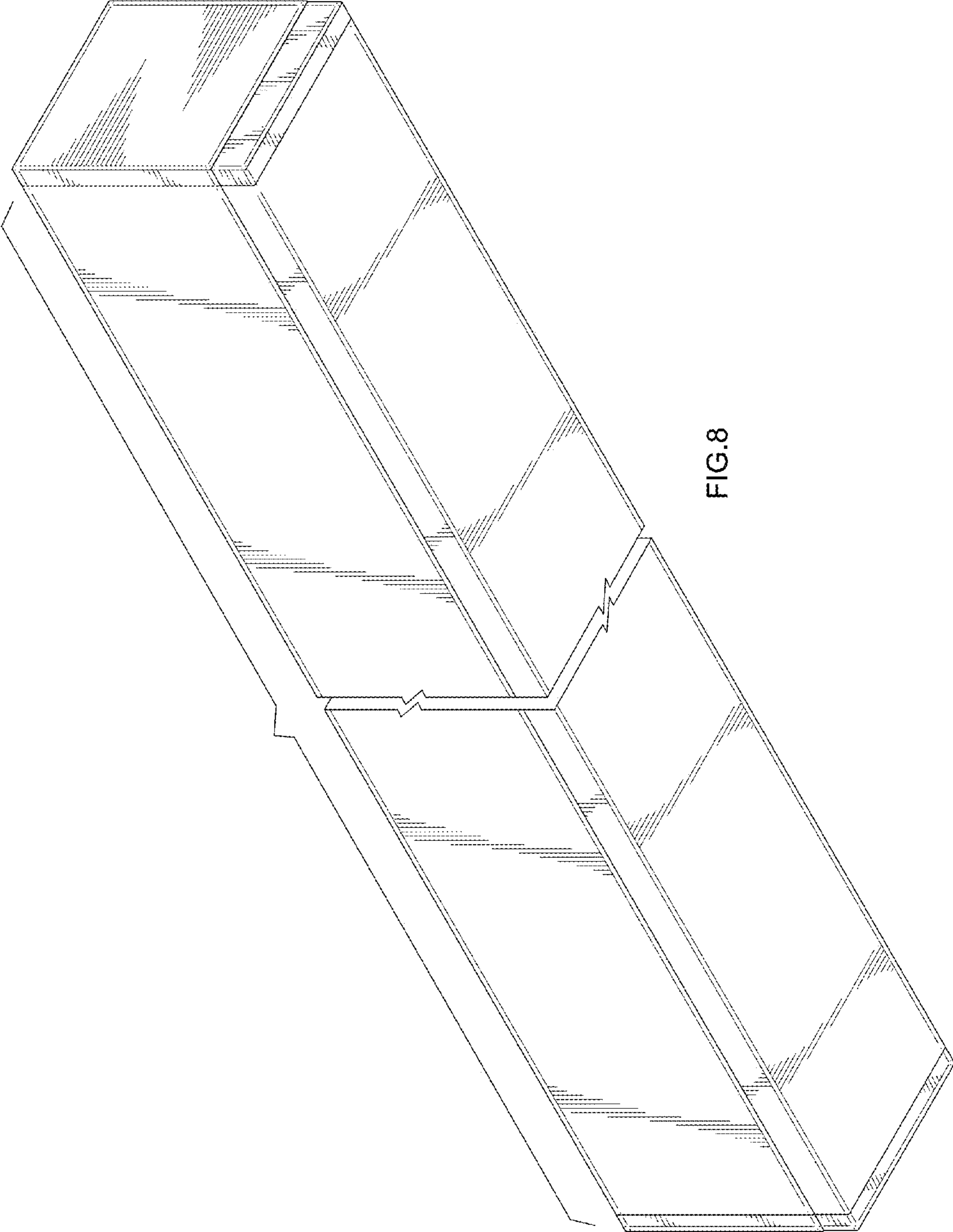


FIG.8