



US00D766484S

(12) **United States Design Patent**
Khubani et al.

(10) **Patent No.:** **US D766,484 S**
(45) **Date of Patent:** **** Sep. 13, 2016**

(54) **LIGHT PROJECTOR**

(71) Applicant: **Telebrands Corp.**, Fairfield, NJ (US)

(72) Inventors: **Ajit Khubani**, Saddle River, NJ (US);
Yun Pan, Shenzen (CN); **Damian Mucaro**, Hackensack, NJ (US)

(73) Assignee: **Telebrands Corp.**, Fairfield, NJ (US)

(**) Term: **15 Years**

(21) Appl. No.: **29/544,568**

(22) Filed: **Nov. 4, 2015**

Related U.S. Application Data

(63) Continuation-in-part of application No. 29/526,591, filed on May 11, 2015.

(51) **LOC (10) Cl.** **26-05**

(52) **U.S. Cl.**
USPC **D26/68; D26/63**

(58) **Field of Classification Search**
USPC D26/60, 63, 67-71, 138
CPC .. F21V 3/0445; F21V 21/32; F21V 21/0824;
F21S 6/003; F21S 6/005; F21S 6/0032;
F21S 8/081; F21S 8/083; F21S 8/085;
F21S 8/088; F21W 2131/103; F21W 2131/109

See application file for complete search history.

(56) **References Cited**

U.S. PATENT DOCUMENTS

- 3,104,064 A * 9/1963 Bellek F21S 8/081 362/267
- D231,559 S * 4/1974 Darling et al. D26/63
- D234,710 S * 4/1975 Beeren D26/63
- 4,114,112 A 9/1978 Epstein
- 4,307,528 A 12/1981 Dewees
- 4,458,124 A 7/1984 Kroth
- D278,215 S * 4/1985 Patterson D10/106.6

- 4,557,055 A 12/1985 Arai
- D282,104 S * 1/1986 Taylor D25/131
- 4,779,176 A 10/1988 Bornhorst
- 4,814,961 A * 3/1989 O'Brien F21S 8/083 362/291

(Continued)

FOREIGN PATENT DOCUMENTS

- CN 204141534 2/2015
- CN 204141534 U 2/2015

(Continued)

OTHER PUBLICATIONS

SeresRoad Outdoor Waterproof Star Projector, Landscape Projector, available at www.amazon.com, accessed on Nov. 13, 2015.

(Continued)

Primary Examiner — Clare E Heflin

(74) *Attorney, Agent, or Firm* — Cooper & Dunham, LLP

(57) **CLAIM**

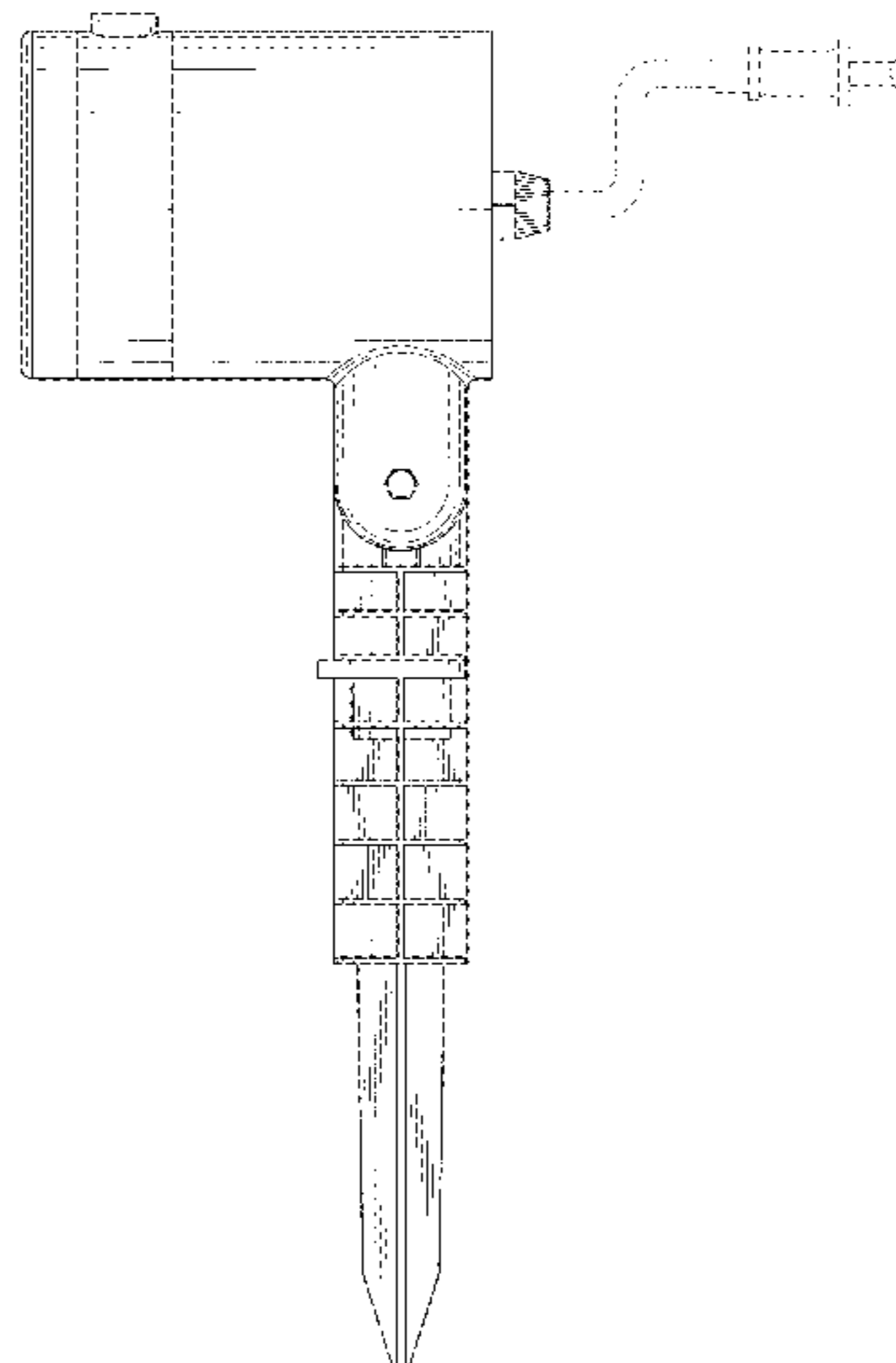
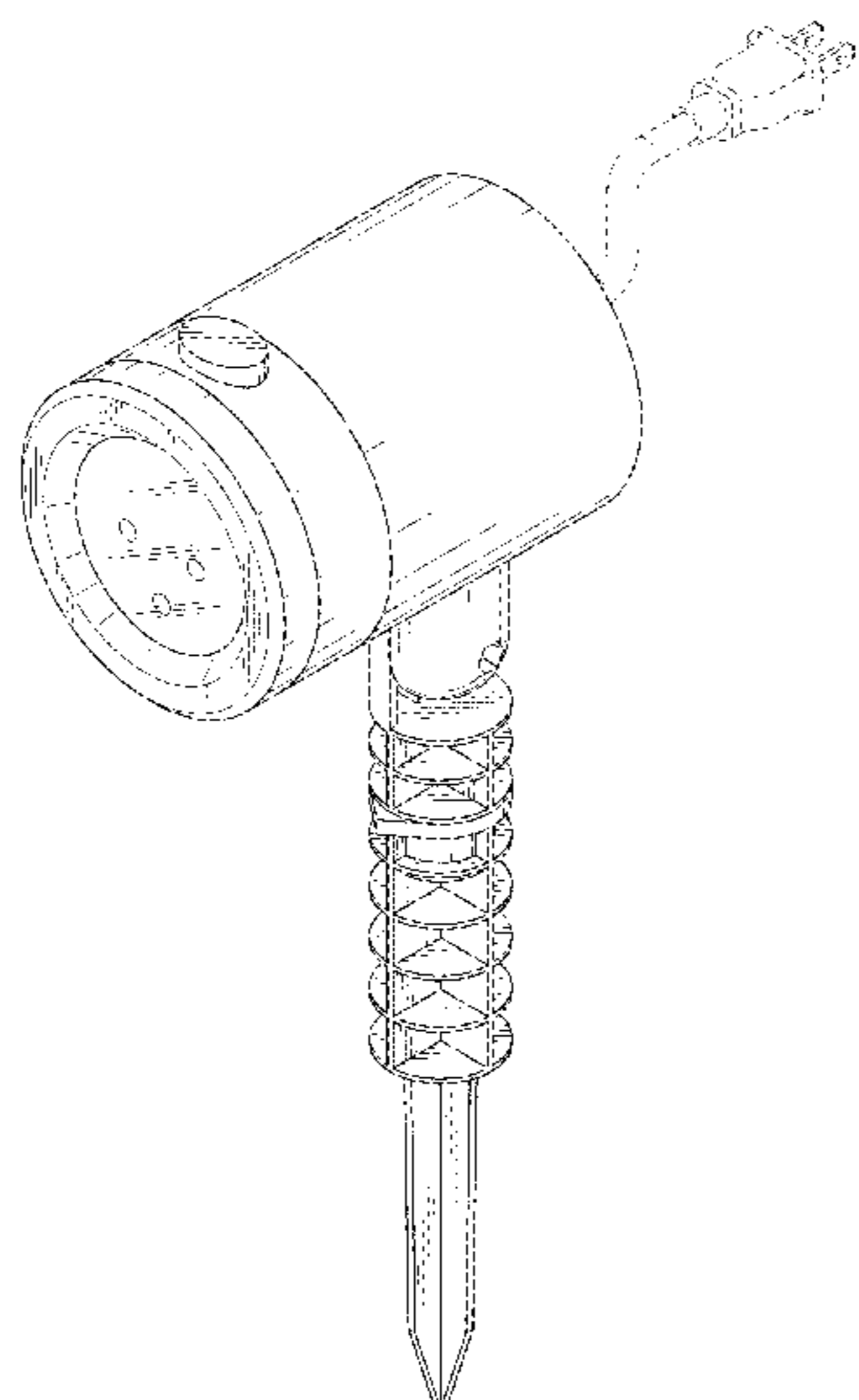
The ornamental design for a light projector, as shown and described.

DESCRIPTION

FIG. 1 is a top perspective view of a light projector in accordance with the present design;
FIG. 2 is a bottom perspective view thereof;
FIG. 3 is a front view thereof;
FIG. 4 is a back view thereof;
FIG. 5 is a right side view thereof;
FIG. 6 is a left side view thereof;
FIG. 7 is a top view thereof; and,
FIG. 8 is a bottom view thereof.

The broken lines shown on the drawings depict portions of the light fixture that form no part of the claimed design. The shading represents contour of the claimed design.

1 Claim, 8 Drawing Sheets



(56)

References Cited

U.S. PATENT DOCUMENTS

5,036,447 A * 7/1991 Taylor F21S 2/00
248/156
D323,406 S * 1/1992 Fisher D26/68
5,086,379 A * 2/1992 Denison F21S 8/081
248/289.11
D333,526 S * 2/1993 Taylor D25/131
5,280,417 A * 1/1994 Hall F21S 8/081
362/153
5,367,349 A 11/1994 Zeiler
5,398,180 A * 3/1995 Lee F21S 8/081
362/152
5,459,539 A 10/1995 Yamamoto
D365,169 S * 12/1995 Fillipp D21/718
D370,070 S 5/1996 Kay
5,613,799 A 3/1997 Guide
5,626,418 A * 5/1997 Angelis, Sr. F21S 8/081
248/160
D414,579 S * 9/1999 Denison D26/63
5,971,545 A 10/1999 Haitz
6,000,813 A 12/1999 Krietzman
6,145,228 A 11/2000 LaChance
D438,999 S * 3/2001 Bossy D26/68
6,304,237 B1 10/2001 Karakawa
6,722,771 B1 4/2004 Stephens
6,874,893 B2 4/2005 Park
D550,877 S * 9/2007 Mullen D26/63
D551,789 S * 9/2007 Mullen D26/63
7,369,584 B2 5/2008 Goldman
D574,532 S 8/2008 Lee
D589,191 S * 3/2009 Sabernig D26/63
RE41,050 E 12/2009 Panasewicz
D605,325 S * 12/2009 Sanoner D26/68
7,641,345 B2 1/2010 Johnson
D616,586 S * 5/2010 Sabernig D26/63
7,832,918 B2 11/2010 Chien
8,003,886 B1 8/2011 Rintz
8,057,045 B2 11/2011 Johnson
8,100,537 B2 1/2012 Johnson
8,100,538 B2 1/2012 Kuroda
D659,871 S * 5/2012 Lee D26/63
D667,981 S 9/2012 Connolly
8,297,825 B2 10/2012 Onishi
8,303,129 B1 11/2012 Thielen
8,366,292 B2 2/2013 McDermott
8,376,574 B2 2/2013 Spartano
8,436,553 B2 5/2013 Zampini
8,480,233 B2 7/2013 Smith
8,693,513 B2 4/2014 Achtenhagen
8,721,160 B2 5/2014 Chien
D723,726 S 3/2015 Reed
D738,023 S 9/2015 Rosello Gratacos
2002/0101571 A1 * 8/2002 Panasewicz F21V 21/0824
353/119
2003/0189825 A1 10/2003 Tauch
2004/0119951 A1 6/2004 Vitantonio
2005/0024863 A1 2/2005 Phipps
2006/0158138 A1 7/2006 Walter
2006/0198153 A1 9/2006 Chien
2008/0316732 A1 12/2008 Blake
2009/0122564 A1 * 5/2009 Beadle F21S 8/081
362/431
2009/0168026 A1 7/2009 Chen
2010/0053969 A1 3/2010 Weinheimer
2013/0088723 A1 4/2013 Feldkhun
2013/0257297 A1 10/2013 Schmidt
2014/0036487 A1 * 2/2014 Adams A45F 3/44
362/184
2015/0035437 A1 2/2015 Panopoulos
2015/0159842 A1 6/2015 Zhang

FOREIGN PATENT DOCUMENTS

CN 303234579 S 6/2015
CN 204629169 U 9/2015
EP 1 024 399 2/2000

WO WO 2015/094009 6/2015
WO WO 2015/143450 9/2015
WO WO 2015/149877 10/2015

OTHER PUBLICATIONS

Us-vision AGO-20RG Modern Outdoor/ Indoor 20 Patterns Gobos Rg Laser Projector, available at www.amazon.com, accessed Nov. 13, 2015.
Sminiker Outdoor Laser Light Sparkle Magic Lights Landscape Light Holiday Light, available at www.amazon.com, accessed Nov. 13, 2015.
Us-vision Outdoor Holiday Waterproof Green Laser Lighting Show, available at www.amazon.com, accessed Nov. 13, 2015.
Improvements All-metal 4-in-1 Projection Light with Remote, available at www.amazon.com, accessed Nov. 13, 2015.
Klaren Color Laser Light Projector—Improvements, available at www.amazon.com, accessed Nov. 13, 2015.
Light Flurries, available at www.lightflurries.com, accessed Mar. 17, 2016.
Laser Light, available at www.amazon.com, accessed on Nov. 13, 2015.
Night Stars, available at www.amazon.com, accessed Nov. 13, 2015.
Poeland Garden Laser Landscape, available at www.amazon.com, accessed Nov. 13, 2015.
Remote Controllable RGB Laser, available at www.amazon.com, accessed Nov. 13, 2015.
Newest Garden Tree and Outdoor Wall Decoration Laser, available at www.amazon.com, accessed Nov. 13, 2015.
Pepnice Red and Green Firefly Laser Light, available at www.amazon.com, accessed Nov. 13, 2015.
Klaren Color Laser Light Projector, available at www.amazon.com, accessed Nov. 13, 2015.
Garden Tree and Outdoor Wall Decoration Laser Lights for Holiday Lighting, available at www.amazon.com, accessed Nov. 13, 2015.
Green and Red Light Garden Tree and Outdoor Wall Decoration Laser Lights, available at www.amazon.com, accessed Nov. 13, 2015.
Moving Red and Green 2 Color Laser Landscape Projector Light w/ Remote, available at www.amazon.com, accessed Nov. 13, 2015.
U.S. Appl. No. 29/559,098, filed Mar. 24, 2016.
U.S. Appl. No. 29/559,103, filed Mar. 24, 2016.
U.S. Appl. No. 29/559,106, filed Mar. 24, 2016.
U.S. Appl. No. 29/559,094, filed Mar. 24, 2016.
U.S. Appl. No. 29/562,913, filed Apr. 29, 2016.
U.S. Appl. No. 29/562,916, filed Apr. 29, 2016.
U.S. Appl. No. 15/142,789, filed Apr. 29, 2016.
U.S. Appl. No. 29/507,757, filed Oct. 30, 2014.
U.S. Appl. No. 14/801,458, filed Jul. 16, 2015.
International Search Report PCT/US2016/021354, published Jun. 30, 2016.
Written Opinion of International Search Authority PCT/US2016/021354, published Jun. 30, 2016.
Mr. Christmas Super Green Laser Light Show, available at www.amazon.com, accessed May 2, 2016.
BlissLights Motion Laser, available at www.amazon.com, accessed May 2, 2016.
Color Laser Lights Instructions, published 2014.
BlissLights Spright Smart User Guide, published 2014.
Blisslights Spright Spring Smart Outdoor Indoor Firefly Light Projector with Timer, available at www.amazon.com, accessed May 2, 2016.
Outdoor Indoor Spright Smart Firefly Light with Timer Green, available at www.amazon.com, accessed May 2, 2016.
International Search Report PCT/US2016/021347, published May 17, 2016.
Written Opinion of International Search Authority PCT/US2016/021347, published May 17, 2016.
E.H./ International Search Report PCT/US2016/021338, published May 16, 2016.

(56)

References Cited

OTHER PUBLICATIONS

Written Opinion of International Search Authority PCT/US2016/
021338, published May 16, 2016.

* cited by examiner

FIG. 1

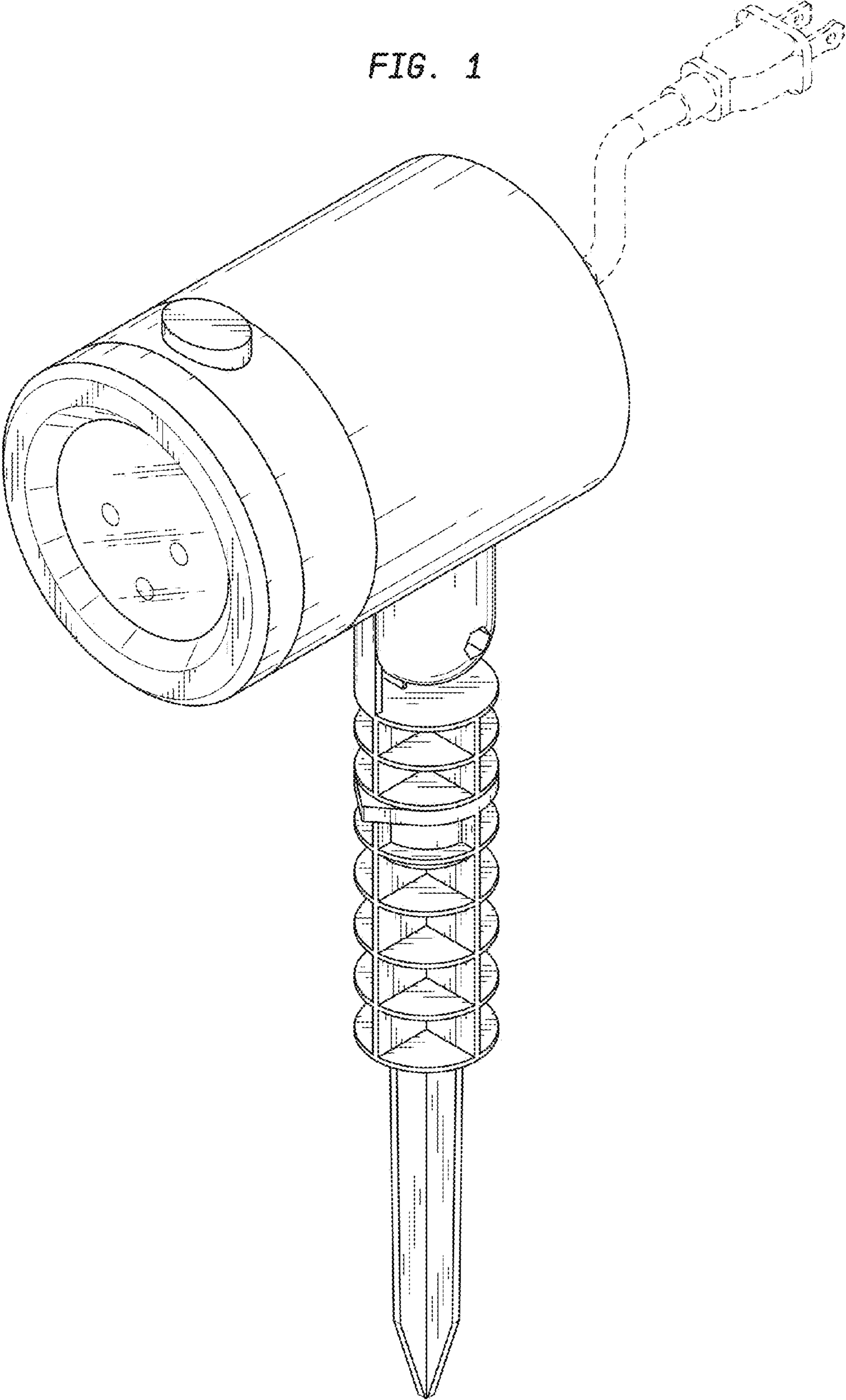


FIG. 2

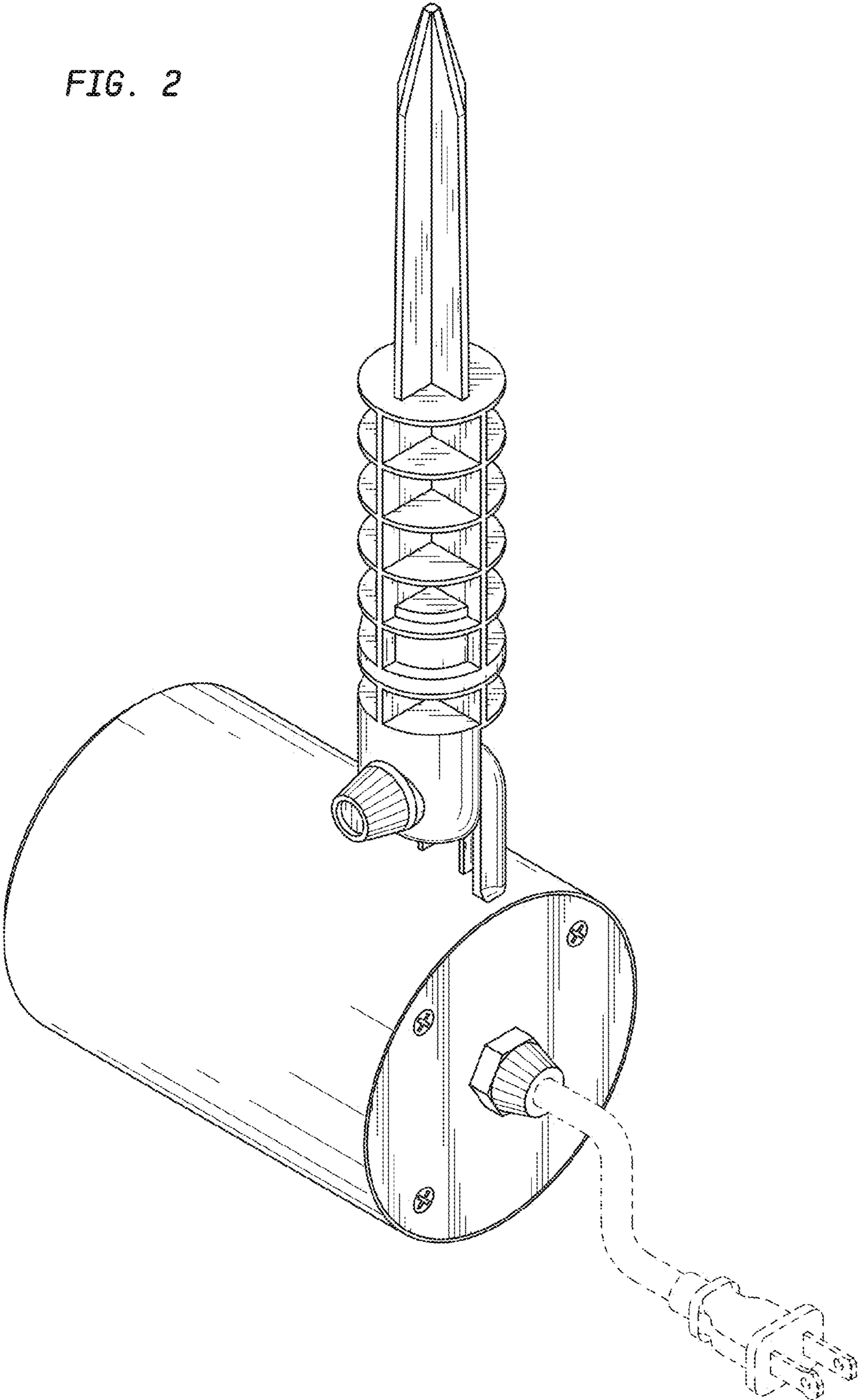


FIG. 3

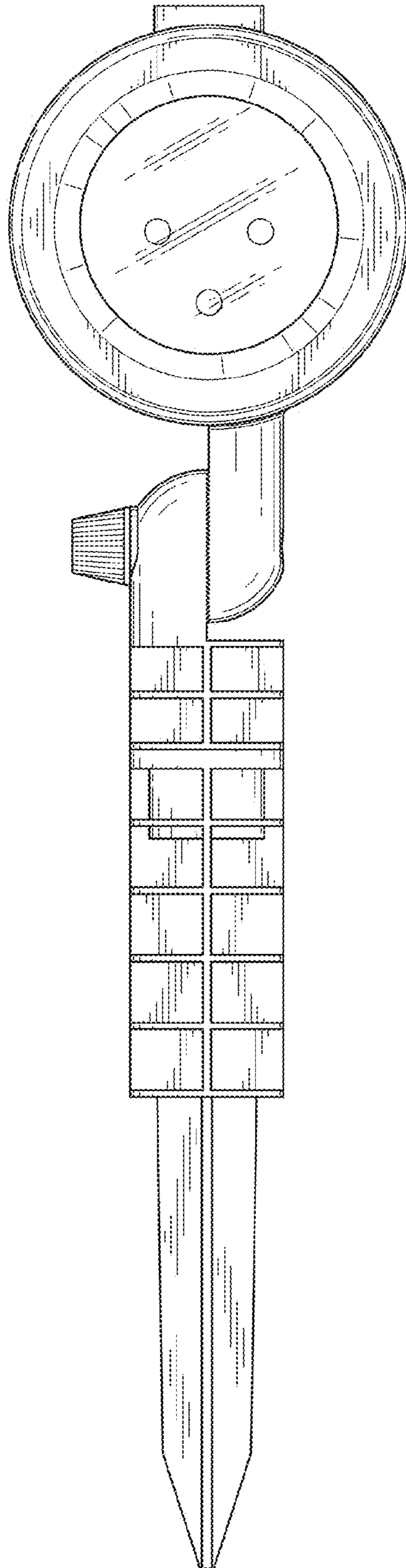


FIG. 4

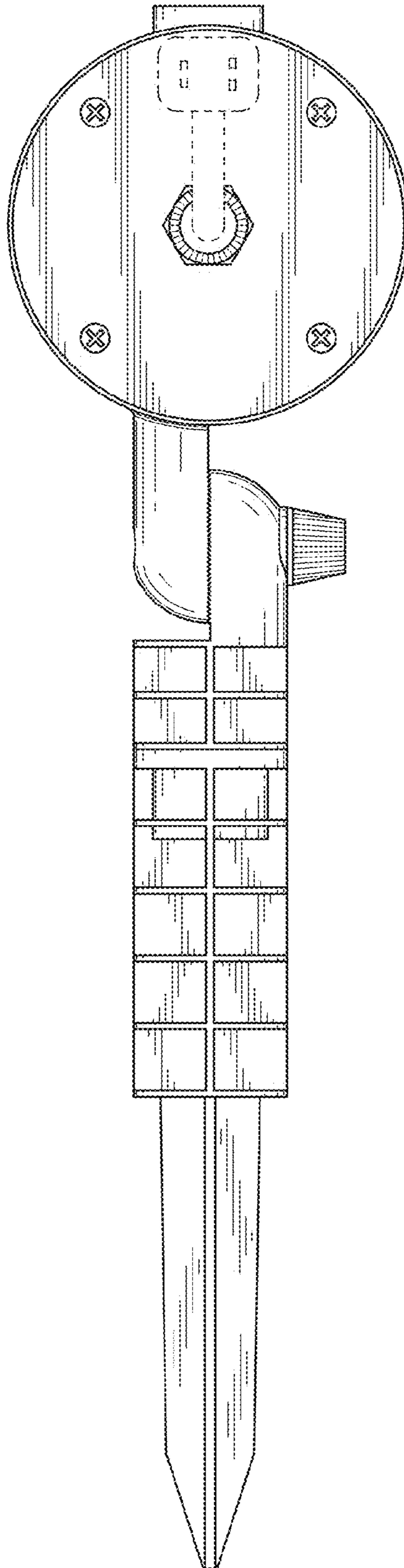


FIG. 5

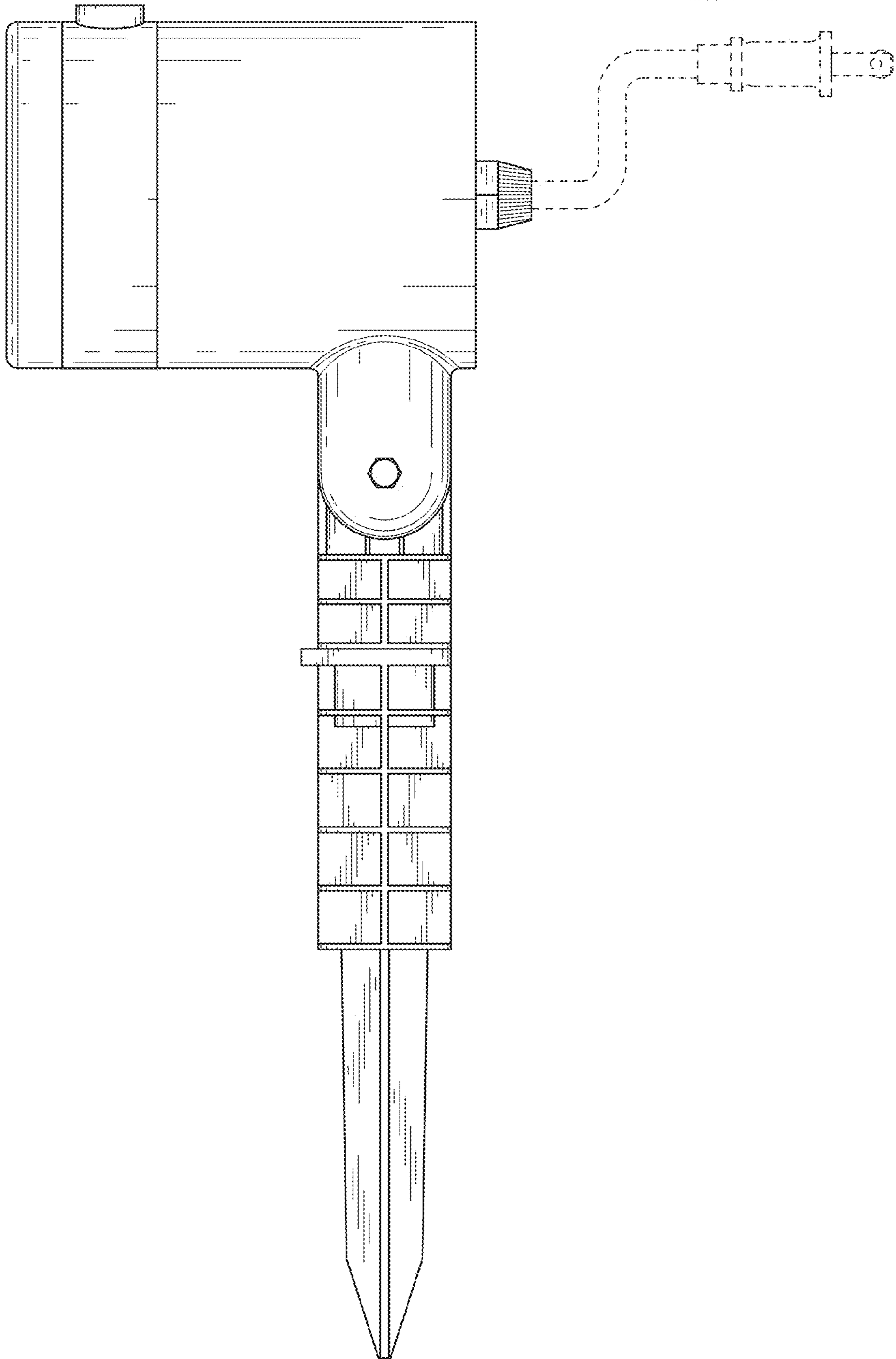


FIG. 6

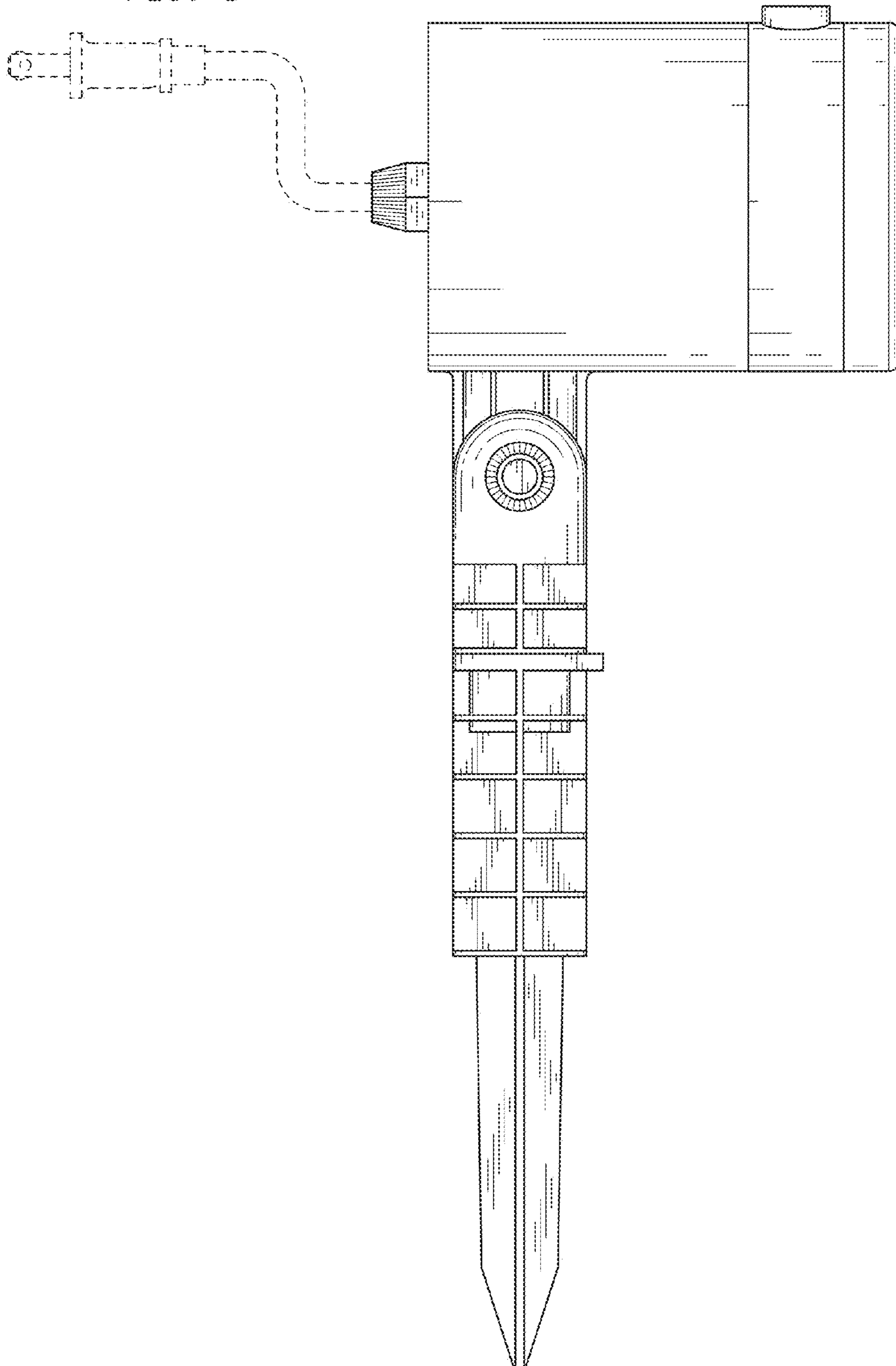


FIG. 7

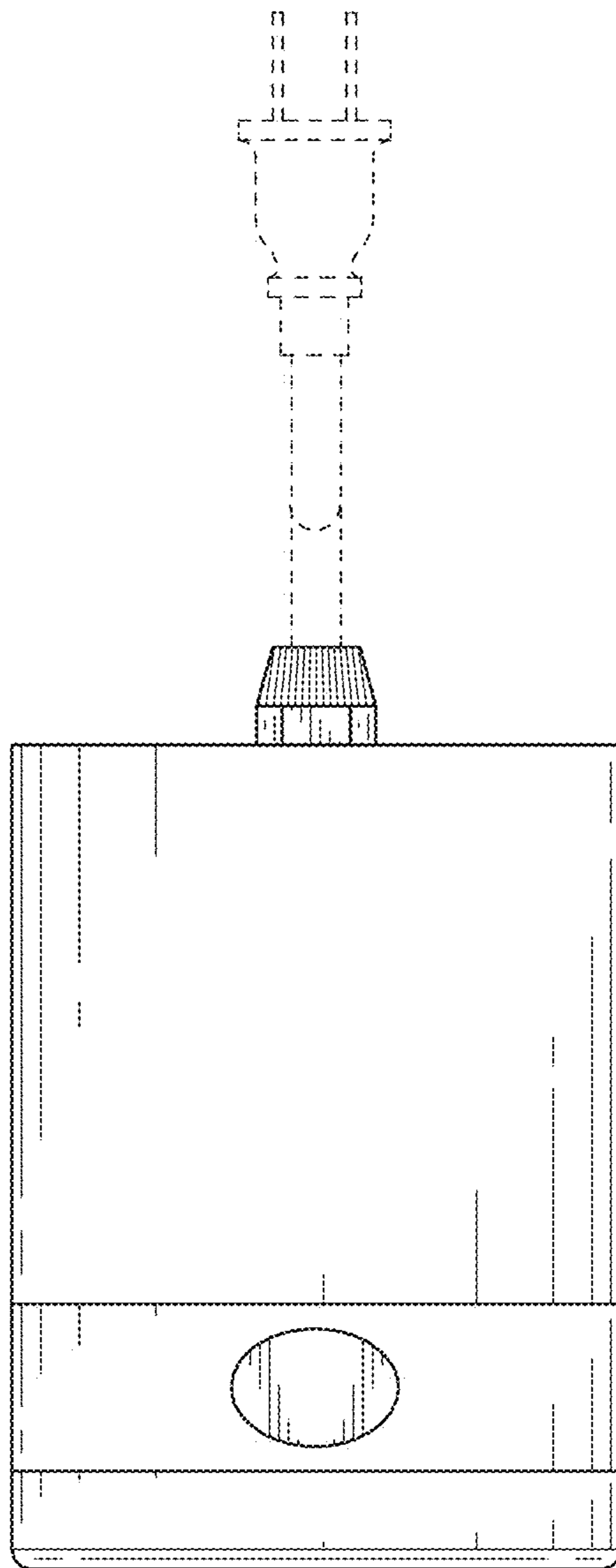


FIG. 8

