



US00D766482S

(12) **United States Design Patent**
Cai et al.

(10) **Patent No.:** **US D766,482 S**

(45) **Date of Patent:** **** Sep. 13, 2016**

(54) **LIGHT**

(71) Applicant: **NINGBO YUSING OPTOELECTRONIC TECHNOLOGY CO., LTD.**, Ningbo, Zhejiang (CN)

(72) Inventors: **Xiaoyu Cai**, Ningbo (CN); **Liang Zhang**, Ningbo (CN)

(73) Assignee: **NINGBO YUSING OPTOELECTRONIC TECHNOLOGY CO., LTD.**, Ningbo (CN)

(**) Term: **14 Years**

(21) Appl. No.: **29/519,799**

(22) Filed: **Mar. 9, 2015**

(30) **Foreign Application Priority Data**

Oct. 24, 2014 (CN) 2014 3 0406895

(51) **LOC (10) Cl.** **26-03**

(52) **U.S. Cl.**
USPC **D26/65**

(58) **Field of Classification Search**
USPC D26/1, 24, 61, 63, 65, 85, 92
CPC F21V 21/14; F21V 15/01; F21V 14/02;
F21V 21/30; F21V 21/00; F21V 14/00;
F21S 8/00; F21S 8/003; F21S 8/043; F21Y
2105/001

See application file for complete search history.

(56) **References Cited**

U.S. PATENT DOCUMENTS

| | | | | |
|--------------|---------|--------------|-------|--------|
| D254,632 S * | 4/1980 | Brendgord | | D26/65 |
| D394,723 S * | 5/1998 | Mier-Langner | | D26/63 |
| D645,595 S * | 9/2011 | Yamada | | D26/63 |
| D645,596 S * | 9/2011 | Yamada | | D26/63 |
| D671,252 S * | 11/2012 | You | | D26/63 |

* cited by examiner

Primary Examiner — Brian N Vinson

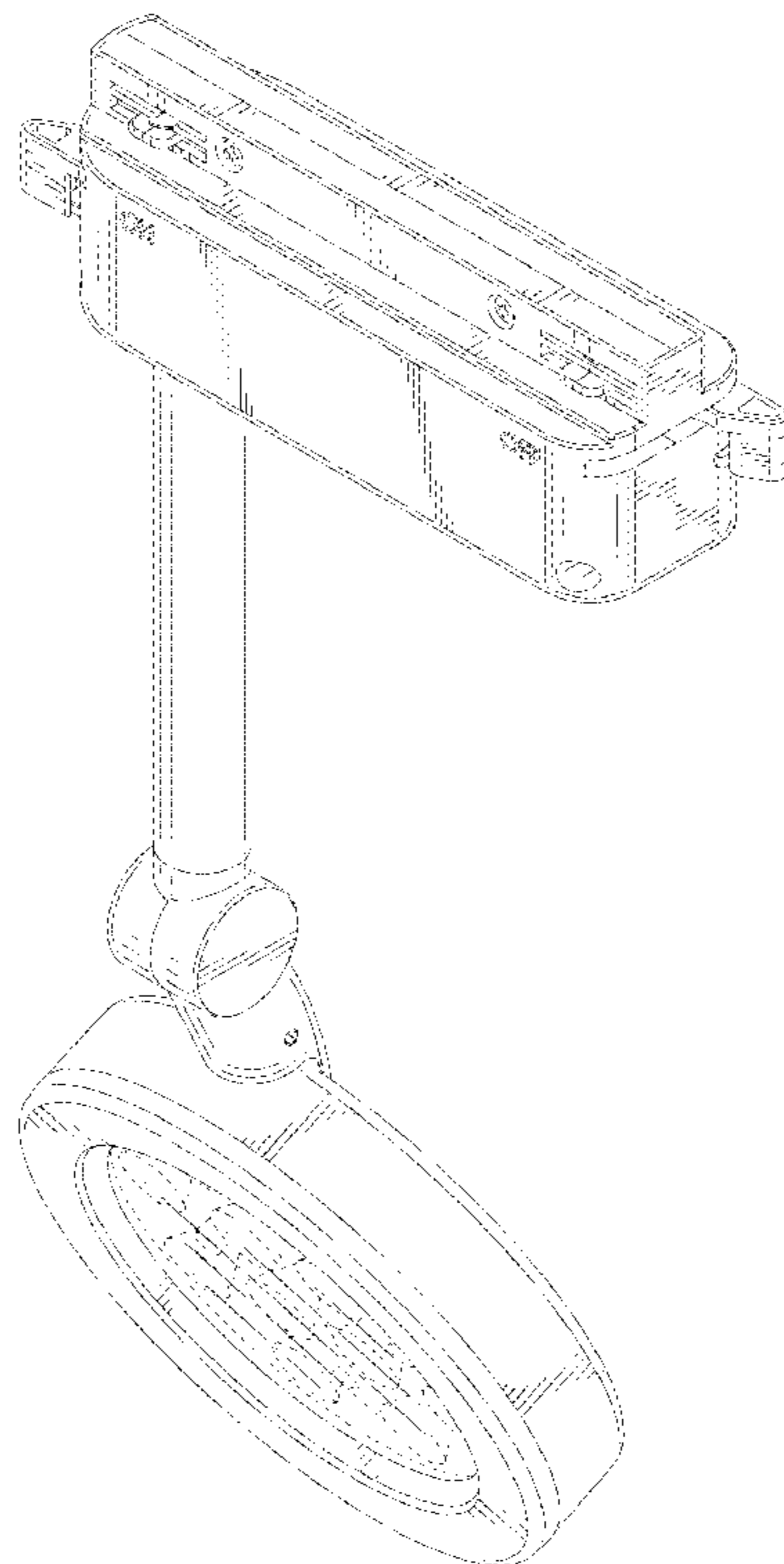
(57) **CLAIM**

The ornamental design for a light, as shown and described.

DESCRIPTION

FIG. 1 is a front elevational view of a light showing our new design;
FIG. 2 is a rear elevational view thereof;
FIG. 3 is a left side view thereof;
FIG. 4 is a right side view thereof;
FIG. 5 is a top plan view thereof;
FIG. 6 is a bottom plan view thereof;
FIG. 7 is a first perspective view thereof;
FIG. 8 is a second perspective view thereof;
FIG. 9 is a third perspective view thereof; and,
FIG. 10 is a fourth perspective view thereof.
The broken lines represent portions of the light which form no part of the claimed design.

1 Claim, 10 Drawing Sheets



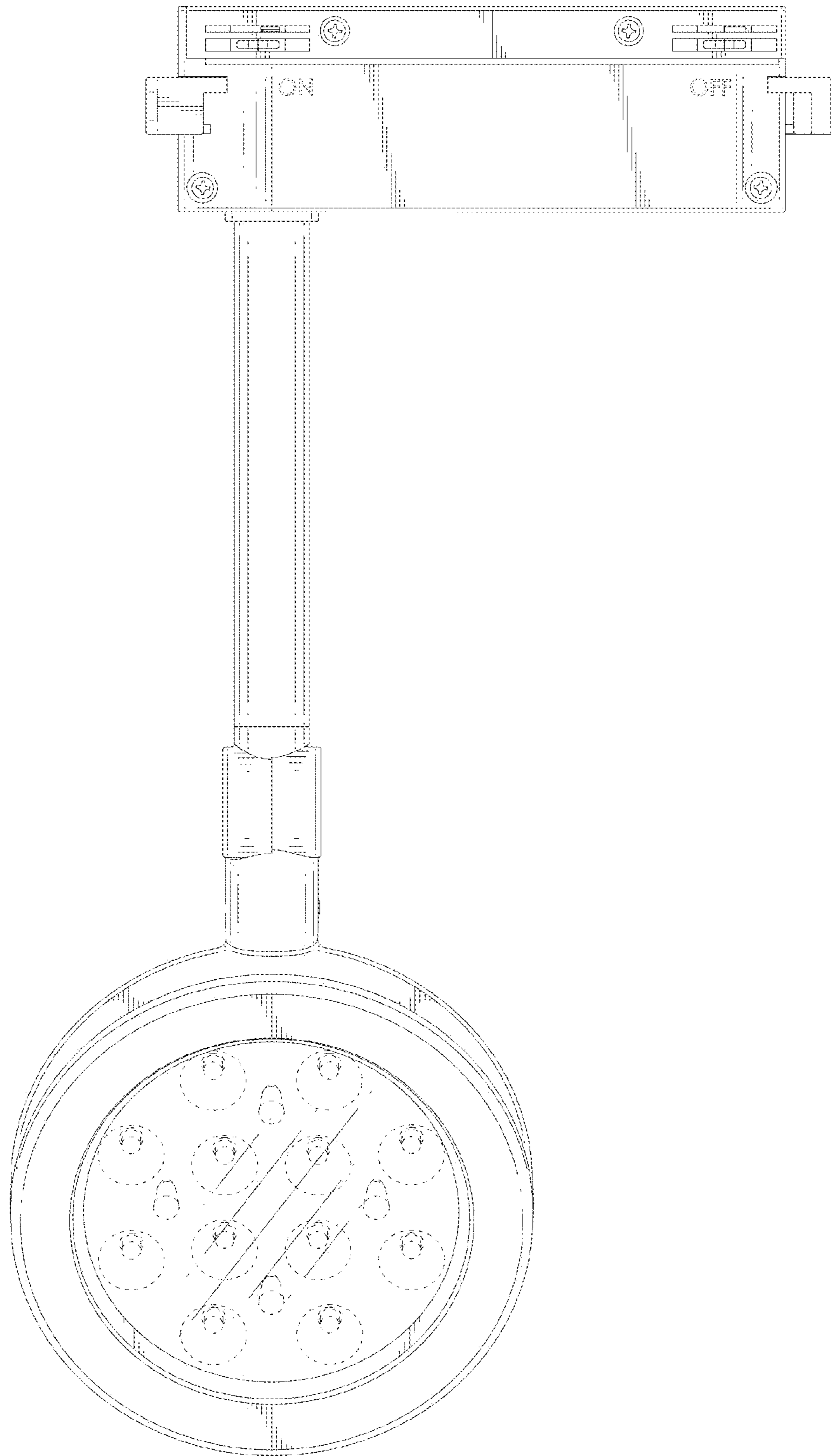


FIG.1

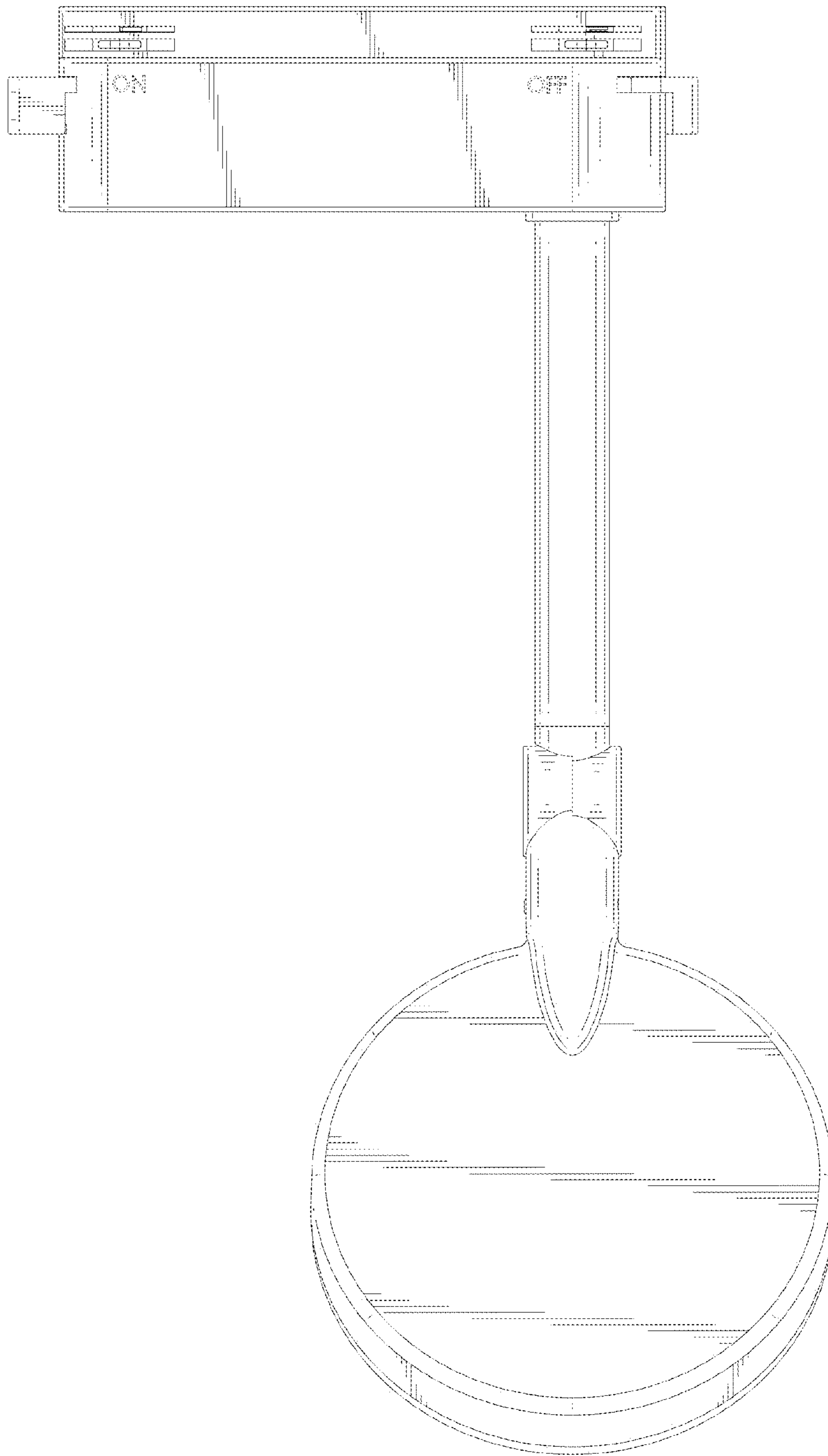


FIG.2

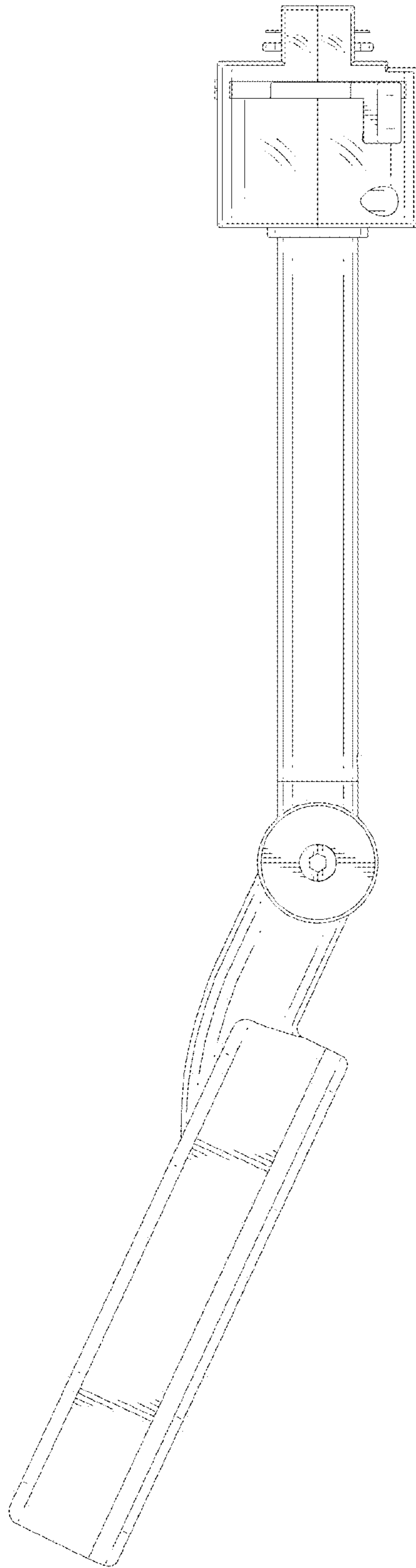


FIG.3

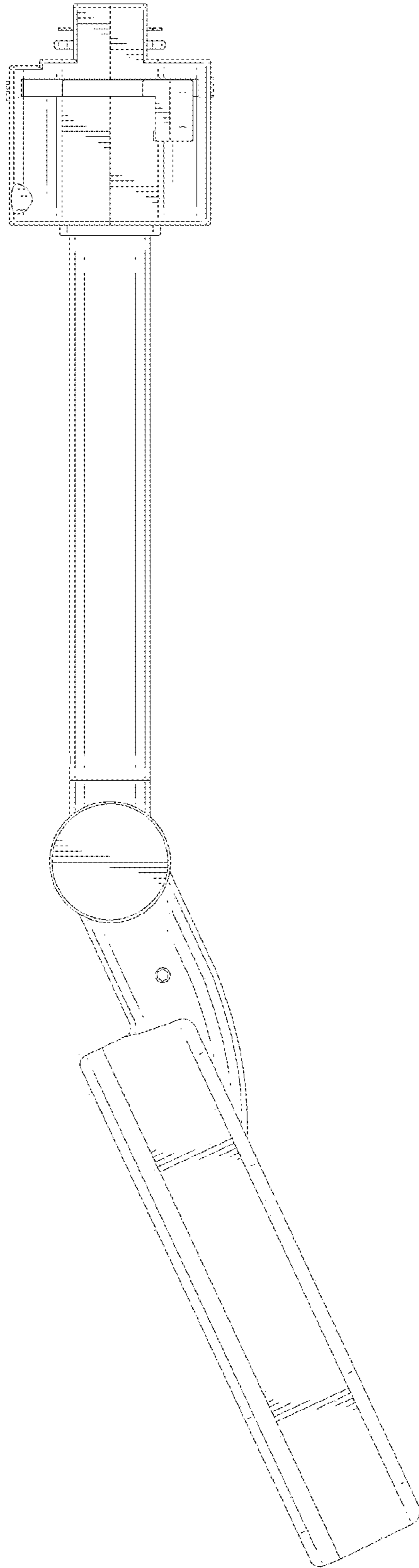


FIG.4

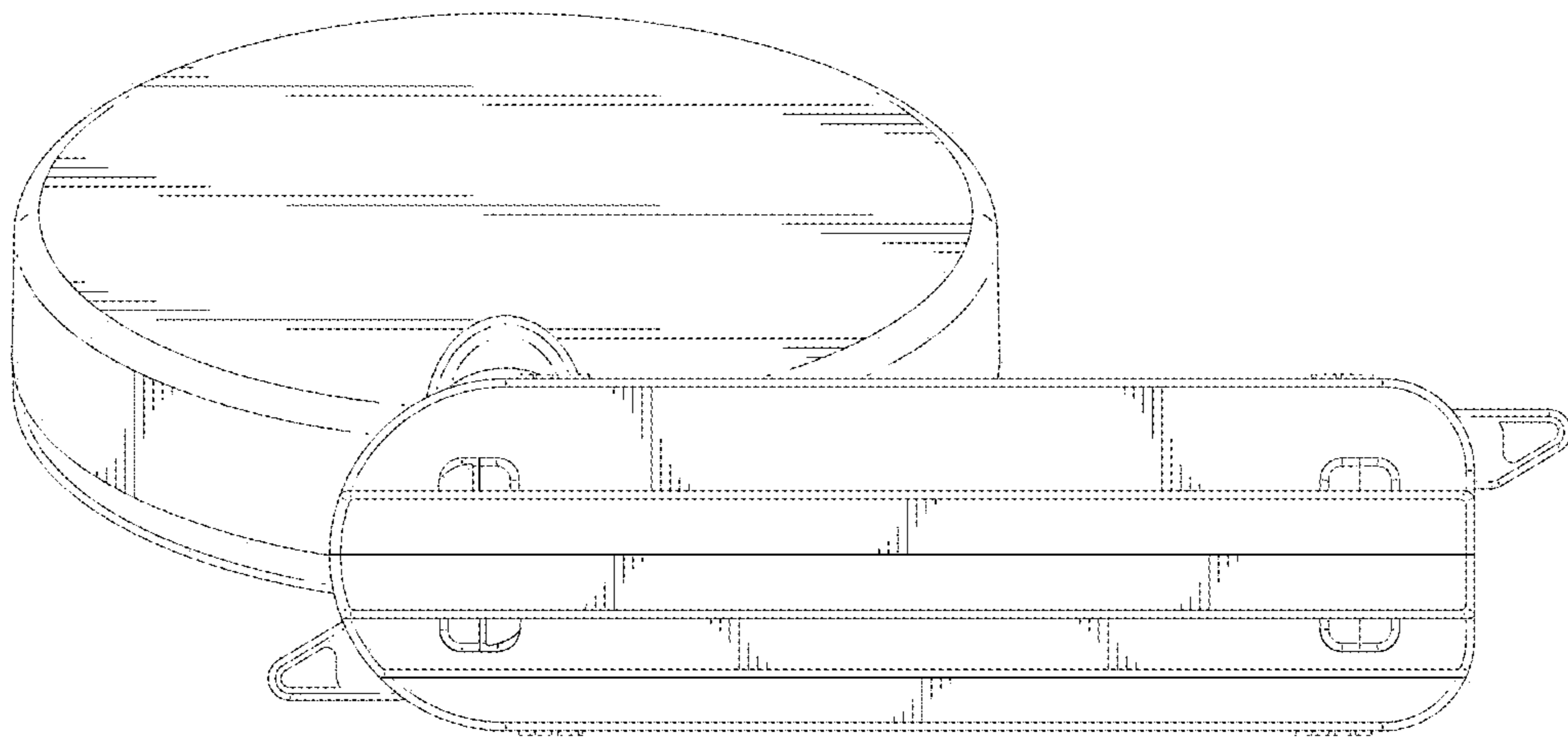


FIG.5

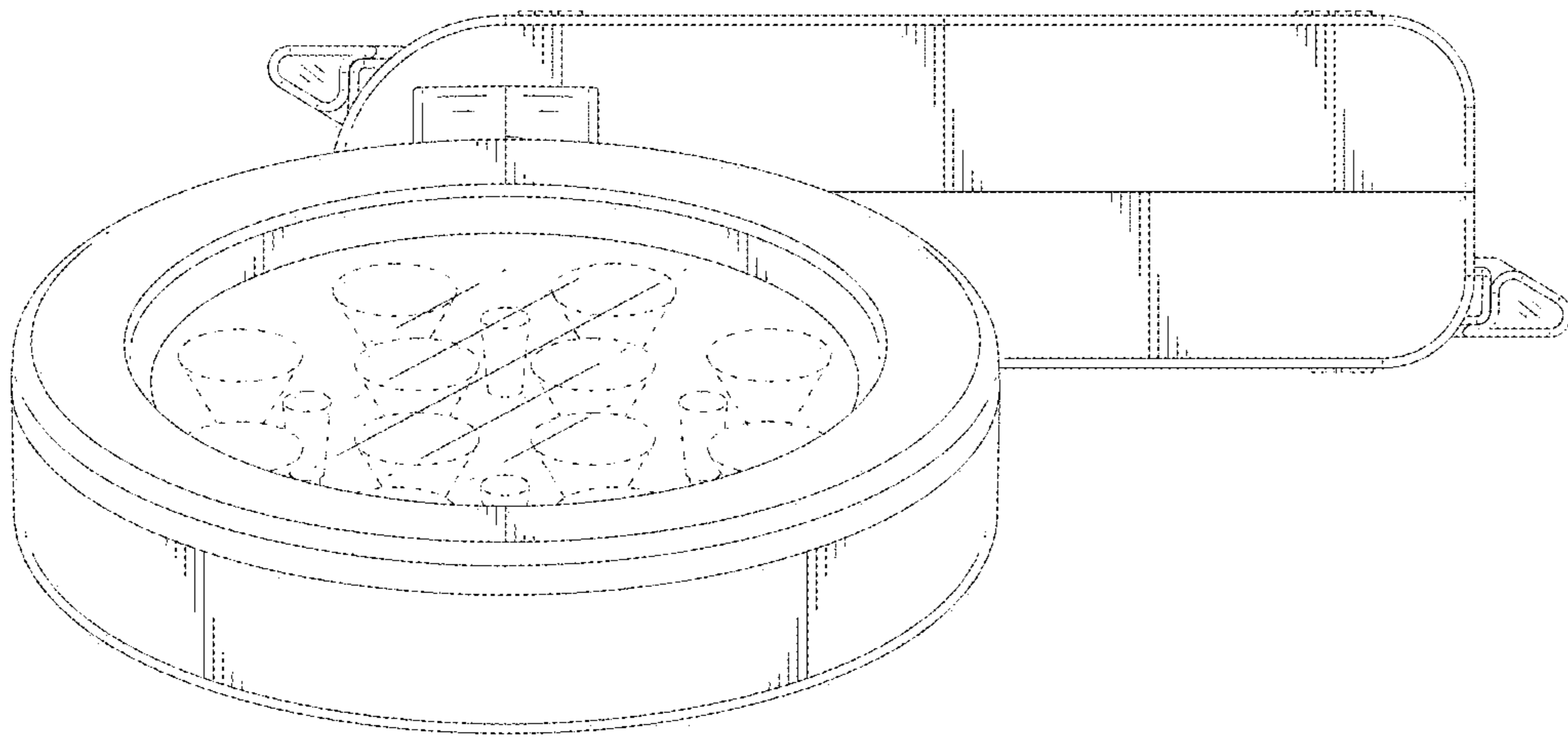


FIG.6

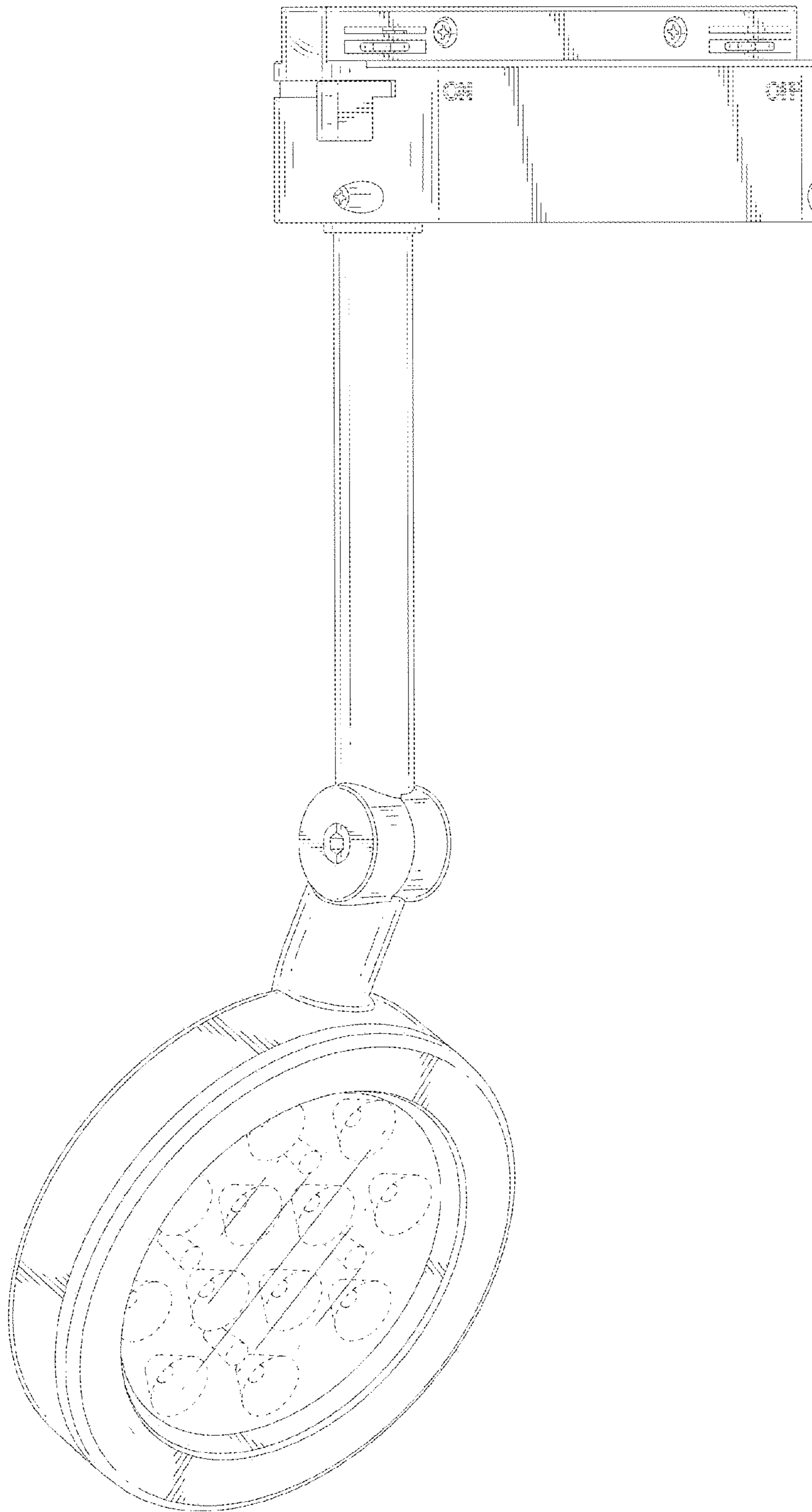


FIG.7

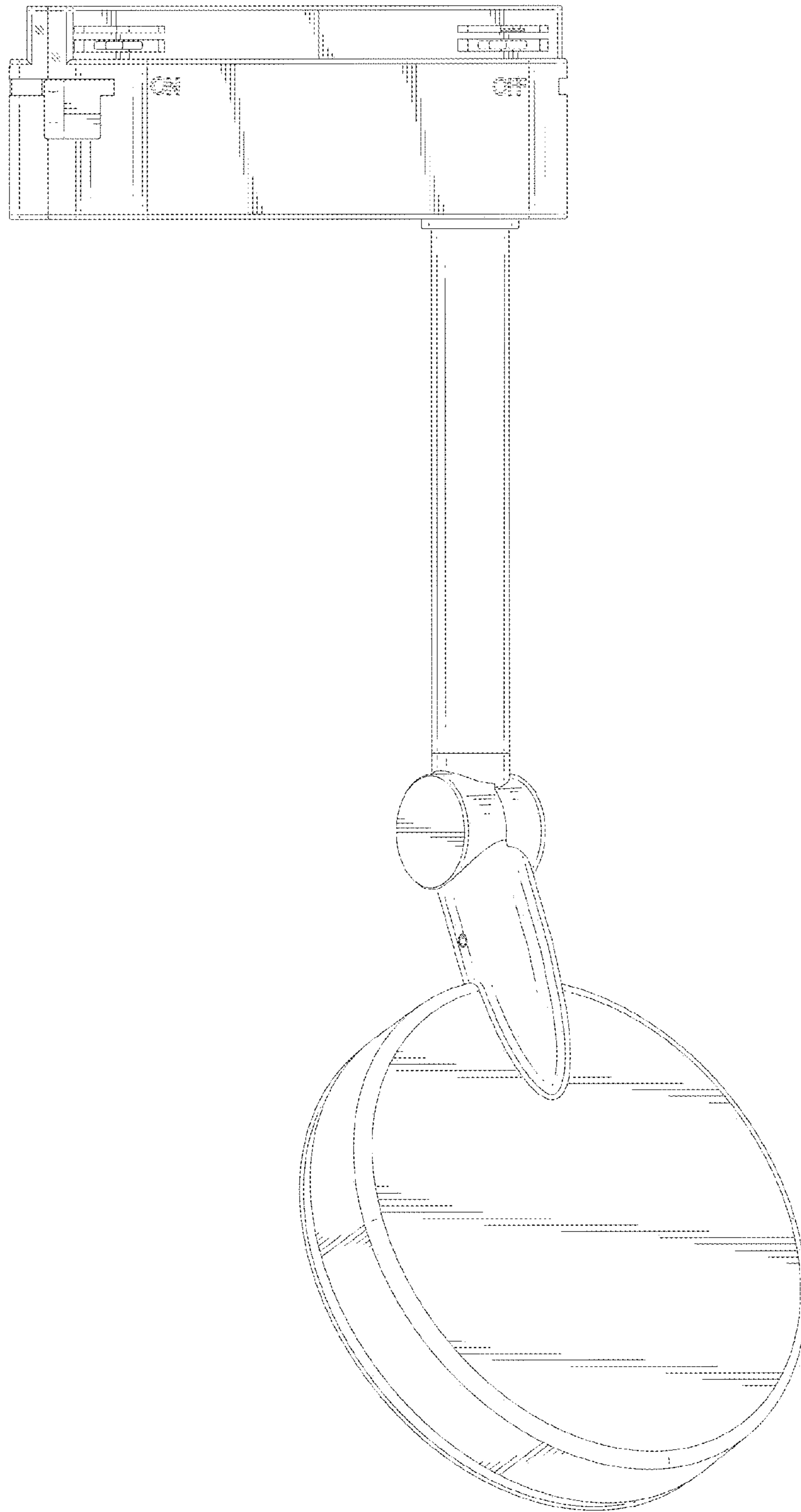


FIG.8

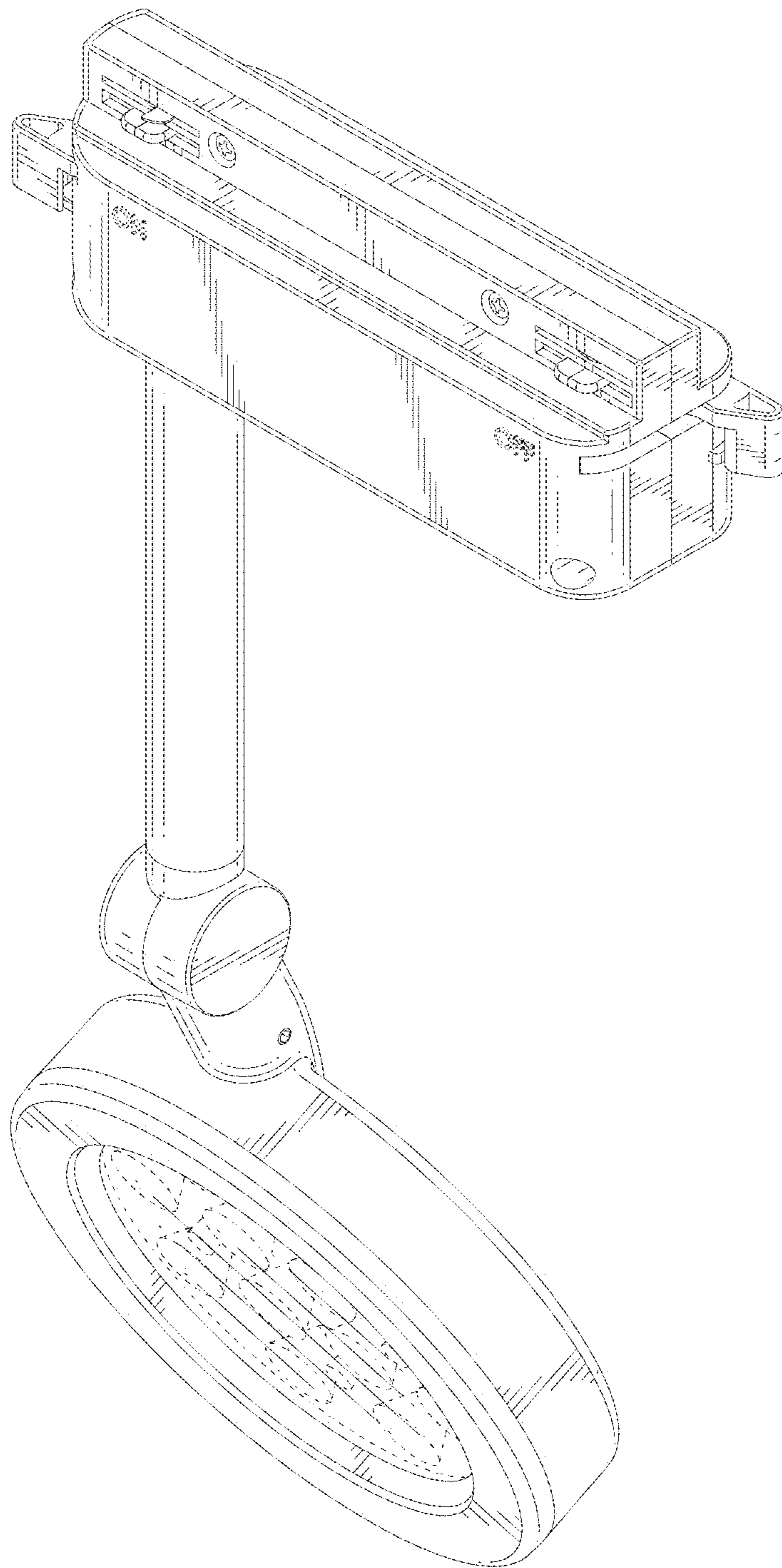


FIG.9

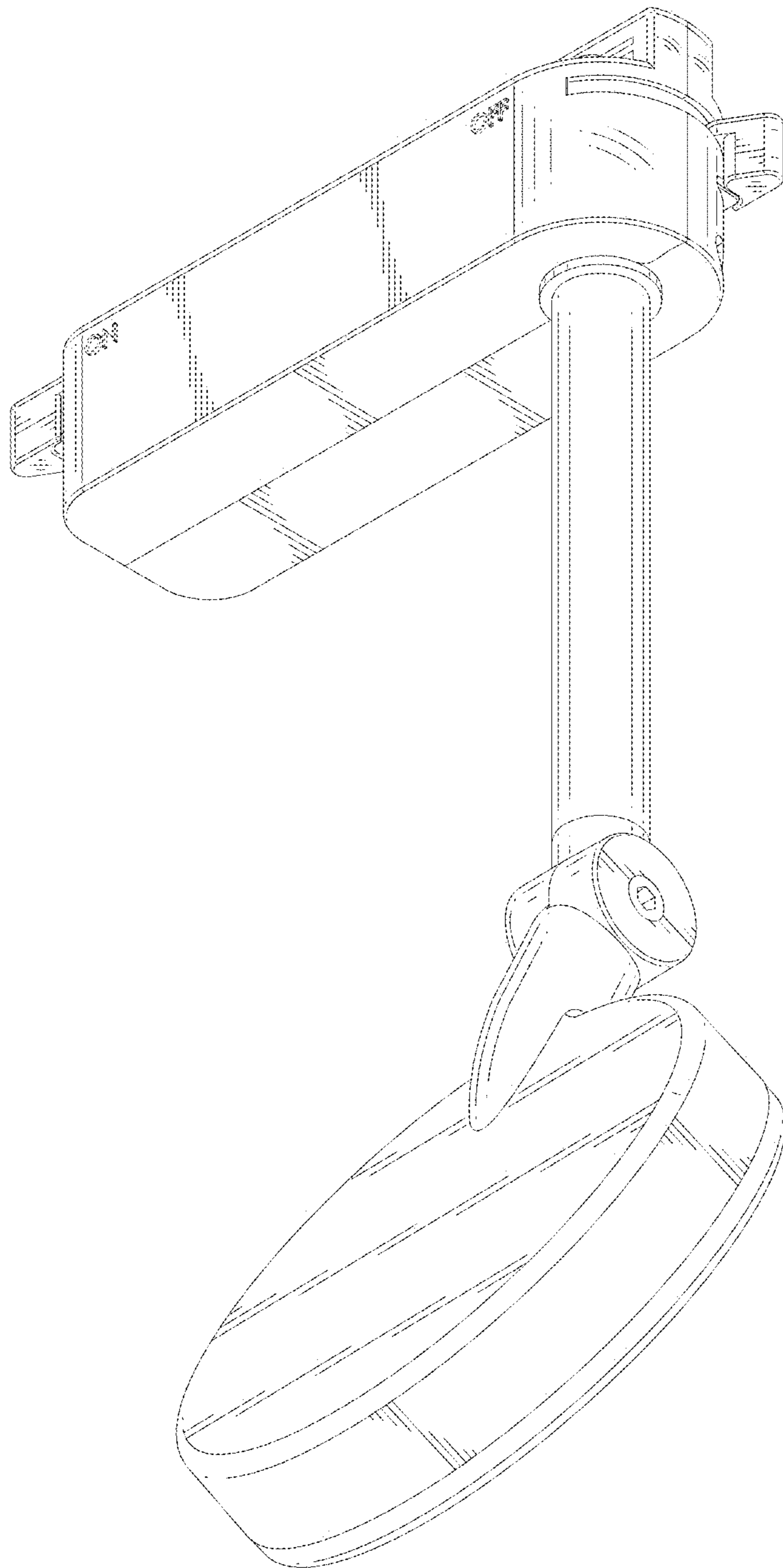


FIG.10