



US00D766478S

(12) **United States Design Patent**
Zhang

(10) **Patent No.:** **US D766,478 S**
(45) **Date of Patent:** **** Sep. 13, 2016**

(54) **WORK LIGHT**

(71) Applicant: **Yuyao Jinfeng Electric Appliance Co., Ltd.**, Yuyao, Zhejiang (CN)

(72) Inventor: **JiFeng Zhang**, Yuyao (CN)

(73) Assignee: **Yuyao Jinfeng Electric Appliance Co., Ltd.**, Yuyao, Zhejiang (CN)

(**) Term: **14 Years**

(21) Appl. No.: **29/499,732**

(22) Filed: **Aug. 18, 2014**

(51) **LOC (10) Cl.** **26-02**

(52) **U.S. Cl.**
USPC **D26/44**

(58) **Field of Classification Search**

USPC D26/37-51, 56-60, 67; 362/103-105, 362/184, 194-196, 202-206; D22/117
CPC F21L 4/00; F21L 4/005; F21L 4/022; F21L 4/025; F21L 4/027; F21L 7/00; F21L 19/00; F21V 21/084; F21V 21/0085; F21W 2111/10

See application file for complete search history.

(56) **References Cited**

U.S. PATENT DOCUMENTS

D505,217 S * 5/2005 Bayat D26/42
D543,301 S * 5/2007 Chen D26/42

(Continued)

Primary Examiner — Sandra Morris

(74) *Attorney, Agent, or Firm* — Raymond Y. Chan; David and Raymond Patent Firm

(57) **CLAIM**

The ornamental design for a work light, as shown and described.

DESCRIPTION

FIG. 1 is a front view of a work light showing my new design.

FIG. 2 is a rear view of the work light.

FIG. 3 is a right view of the work light.

FIG. 4 is a left view of the work light.

FIG. 5 is a top view of the work light.

FIG. 6 is a bottom view of the work light.

FIG. 7 is a perspective view of the work light.

FIG. 8 is another perspective view of the work light.

FIG. 9 is a perspective view of the work light, illustrating a hanger of a light body at an upward unfolded position.

FIG. 10 is a perspective view of the work light, illustrating a light base rotatably coupled with the light body.

FIG. 11 is a front view of the light base of the work light, shown separately for ease of illustration.

FIG. 12 is a rear view of the light base of the work light.

FIG. 13 is a right view of the light base of the work light.

FIG. 14 is a left view of the light base of the work light, wherein the broken lines in FIG. 14 are included for the purpose of illustrating a portion of light base that forms no part of the claimed design.

FIG. 15 is a top view of the light base of the work light.

FIG. 16 is a bottom view of the light base of the work light.

FIG. 17 is a perspective view of the light base of the work light.

FIG. 18 is a perspective view of the light base of the work light, illustrating a light base at an open position.

FIG. 19 is a front view of the light body of the work light, shown separately for ease of illustration.

FIG. 20 is a rear view of the light body of the work light.

FIG. 21 is a right view of the light body of the work light.

FIG. 22 is a left view of the light body of the work light.

FIG. 23 is a top view of the light body of the work light.

FIG. 24 is a bottom view of the light body of the work light.

FIG. 25 is a perspective view of the light body of the work light.

FIG. 26 is another perspective view of the light body of the work light.

FIG. 27 is a perspective view of a light base holder of the work light, illustrating the light body coupled with a light body holder.

FIG. 28 is a front view of the light base holder of the work light, shown separately for ease of illustration.

FIG. 29 is a rear view of the light base holder of the work light.

FIG. 30 is a right view of the light base holder of the work light.

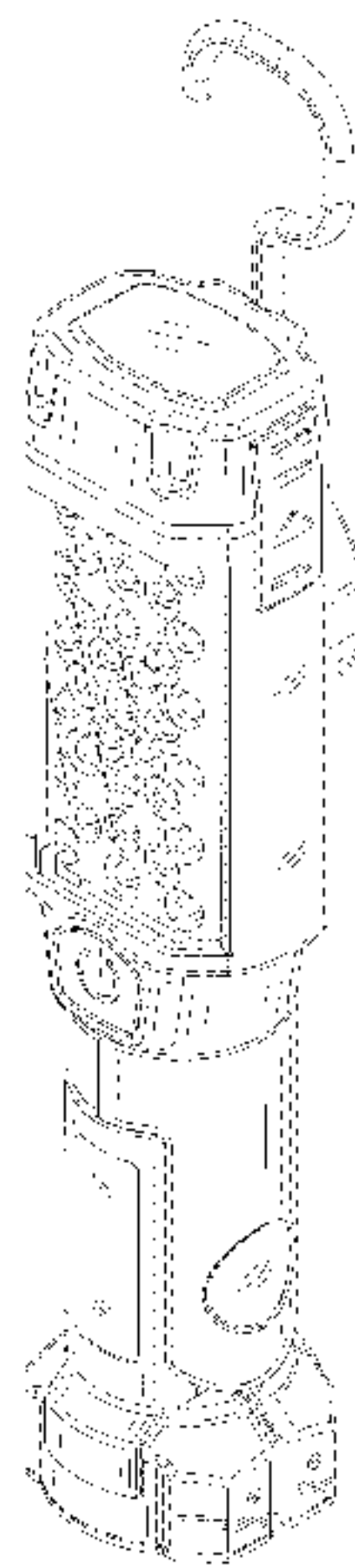
FIG. 31 is a left view of the light base holder of the work light.

FIG. 32 is a top view of the light base holder of the work light.

FIG. 33 is a bottom view of the light base holder of the work light; and,

FIG. 34 is a perspective view of the light base holder of the work light.

1 Claim, 25 Drawing Sheets



(56)

References Cited

U.S. PATENT DOCUMENTS

D556,926 S *	12/2007	Thirouin	D26/37	D648,054 S *	11/2011	Zhuang	D26/37
D567,977 S *	4/2008	Jianwei	D26/42	8,066,402 B2 *	11/2011	Klipstein	B60Q 3/065 362/202
D567,978 S *	4/2008	Jianwei	D26/42	D651,731 S *	1/2012	Xu	D26/37
D620,627 S *	7/2010	Kovacik	D26/42	D656,646 S *	3/2012	Kawase	D26/44
D631,178 S *	1/2011	Kovacik	D26/38	D691,310 S *	10/2013	Zhou	D26/37
				D698,959 S *	2/2014	Shen	D26/46

* cited by examiner

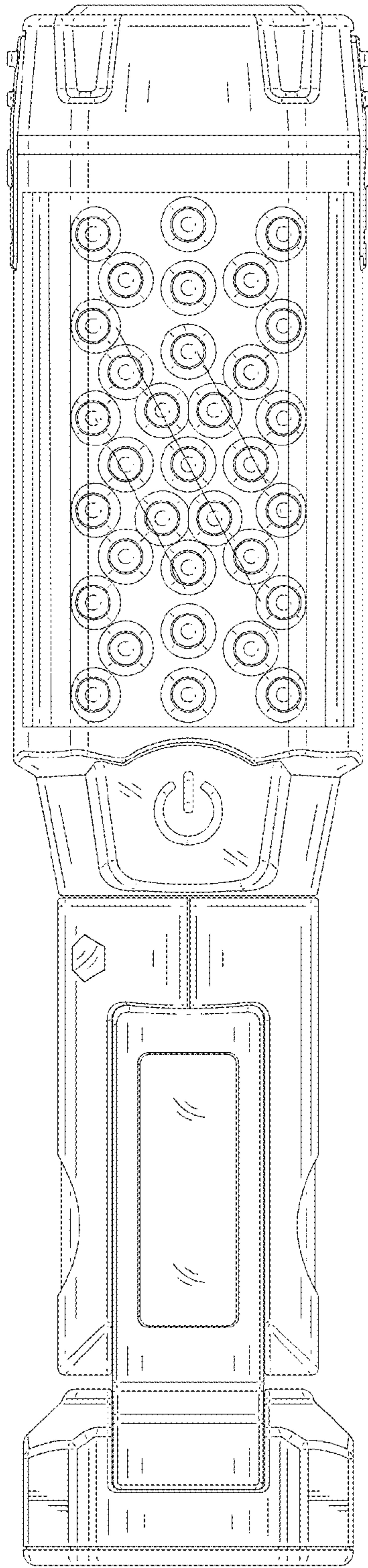


FIG.1

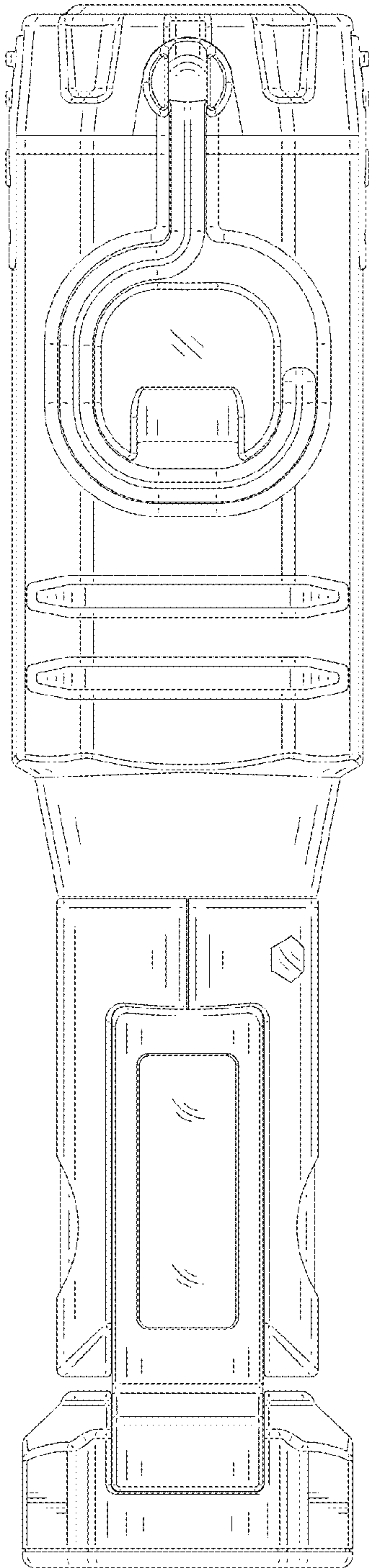


FIG.2

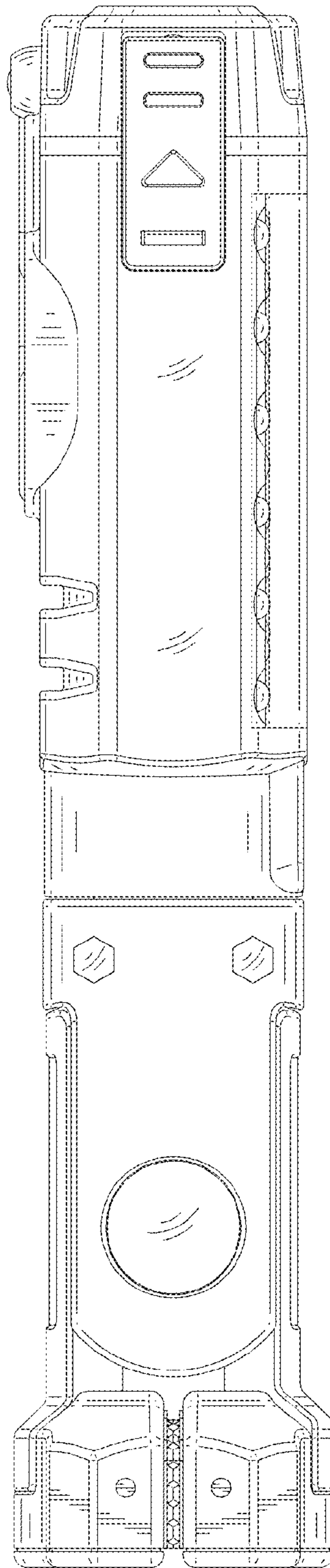


FIG.3

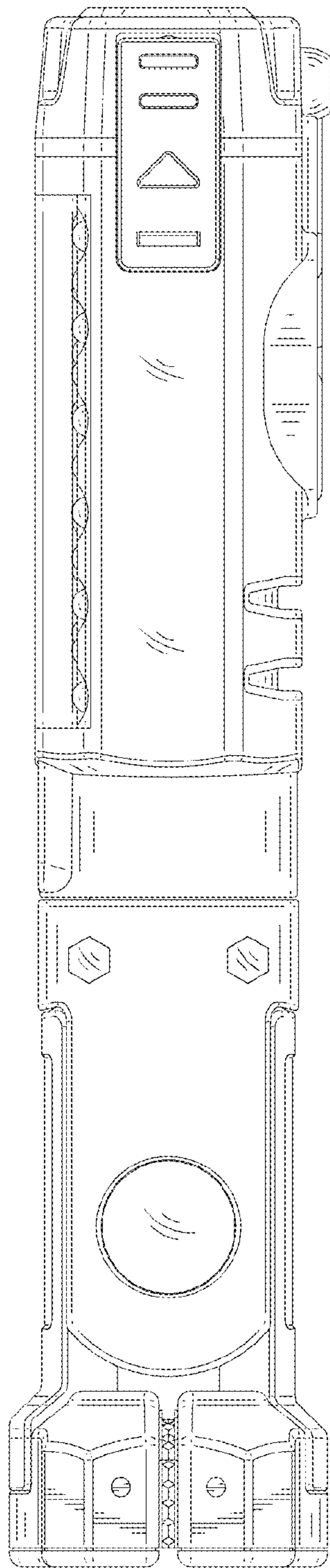


FIG.4

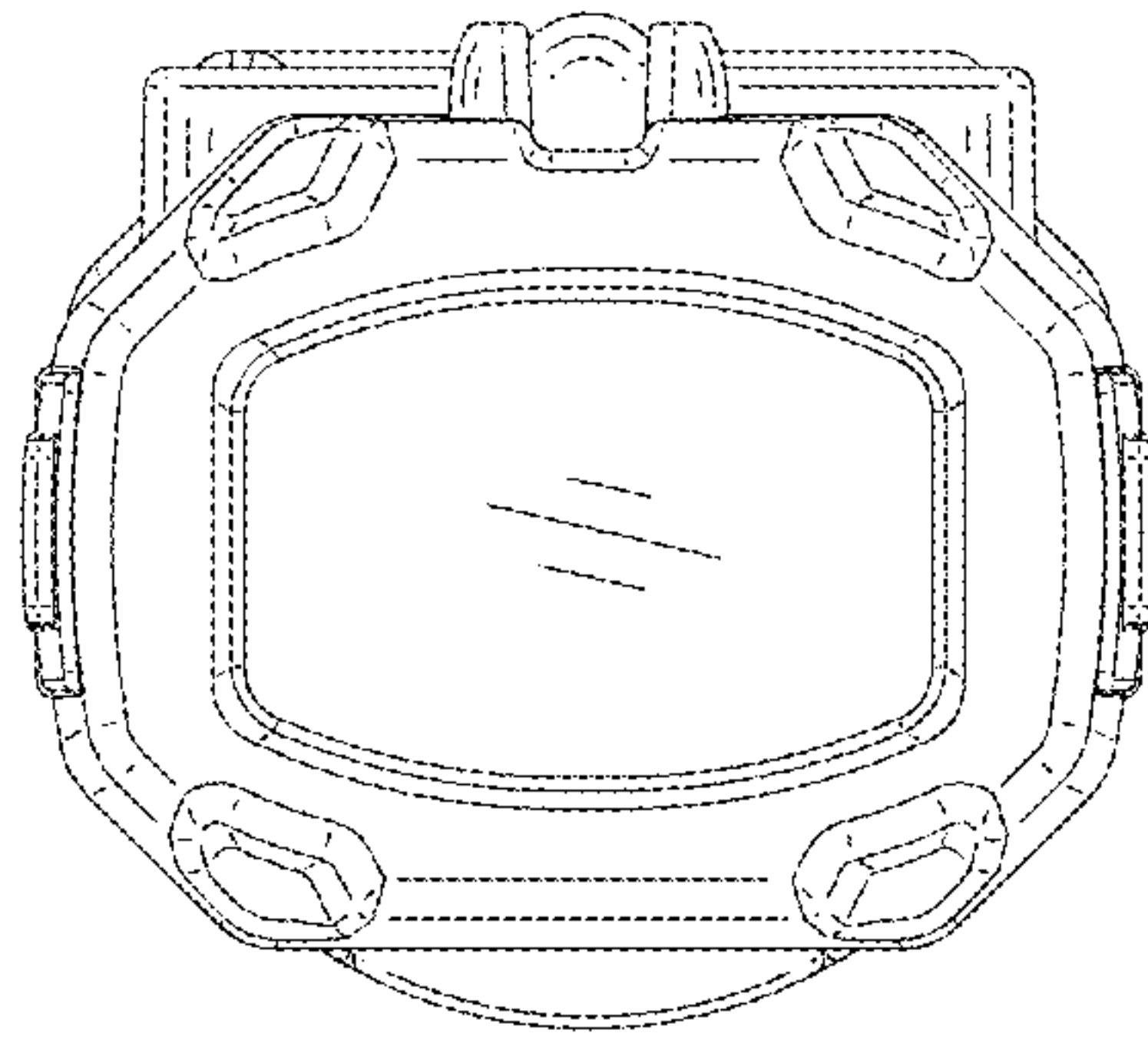


FIG.5

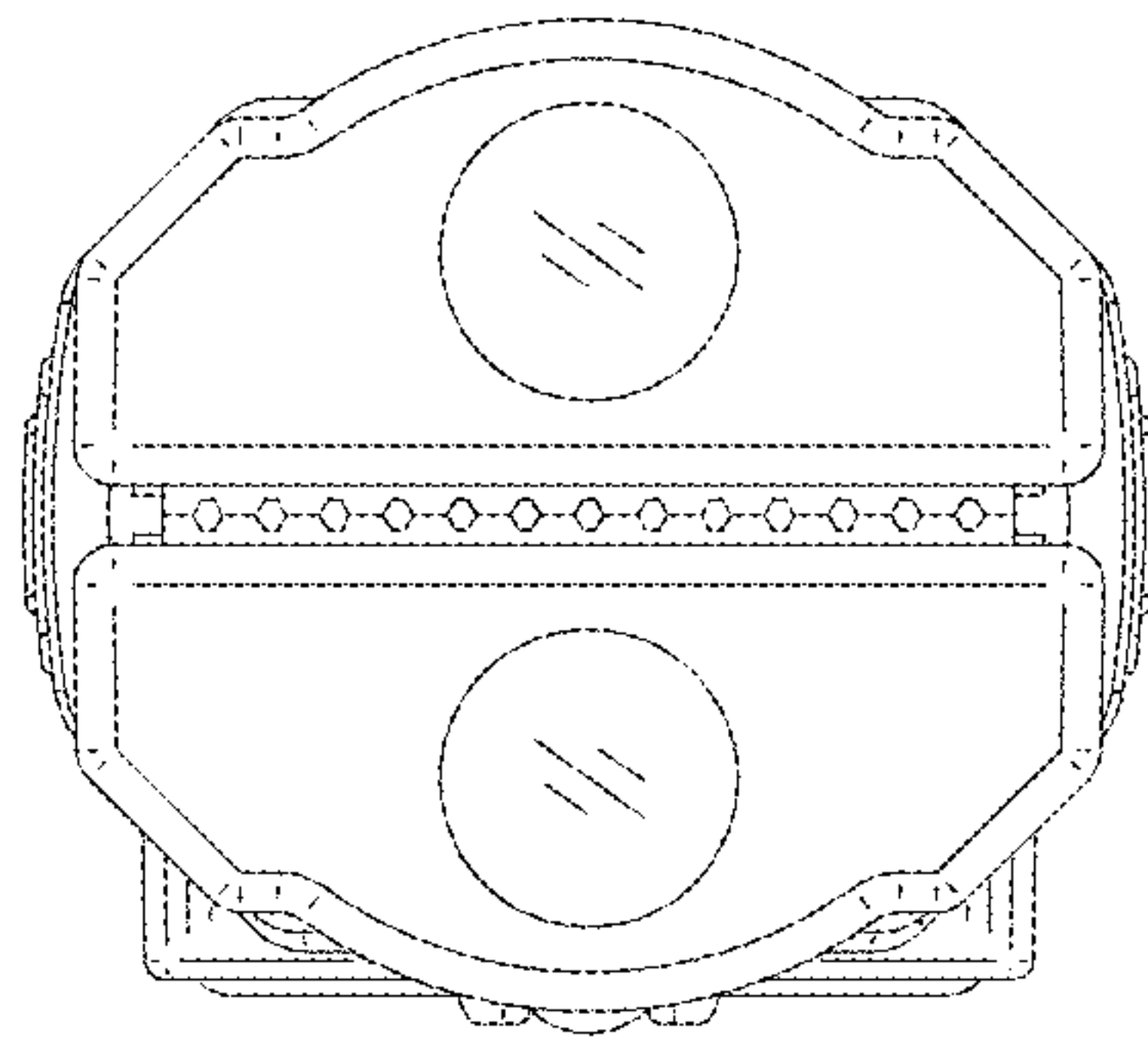


FIG.6

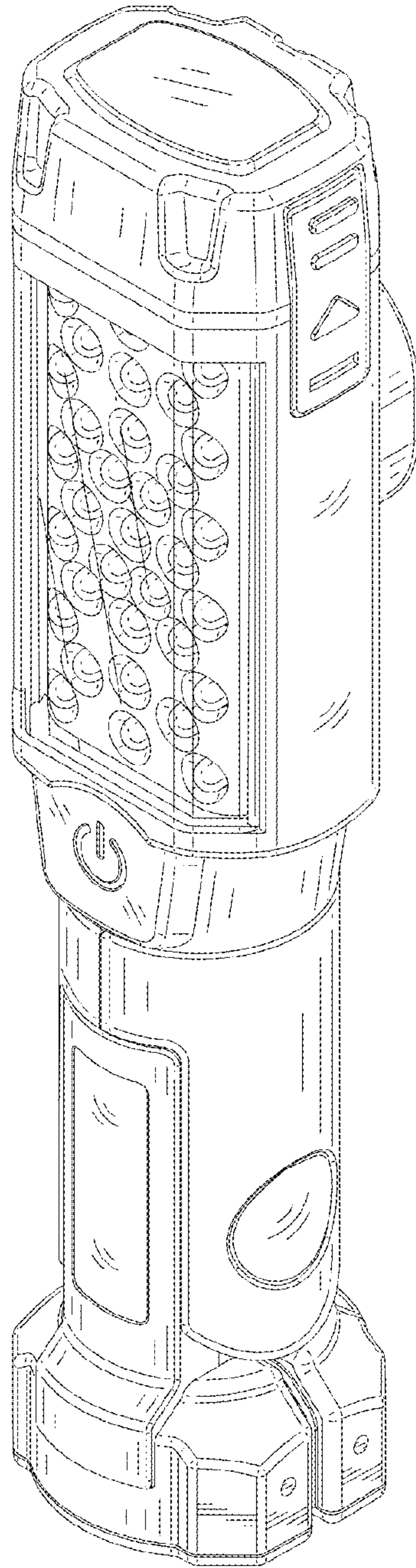


FIG.7

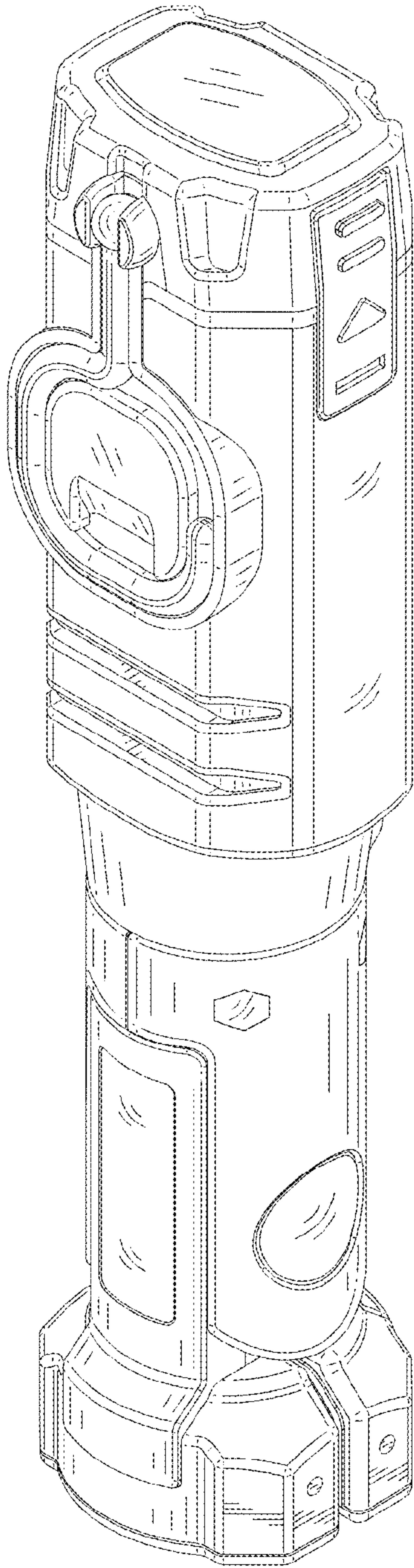


FIG.8

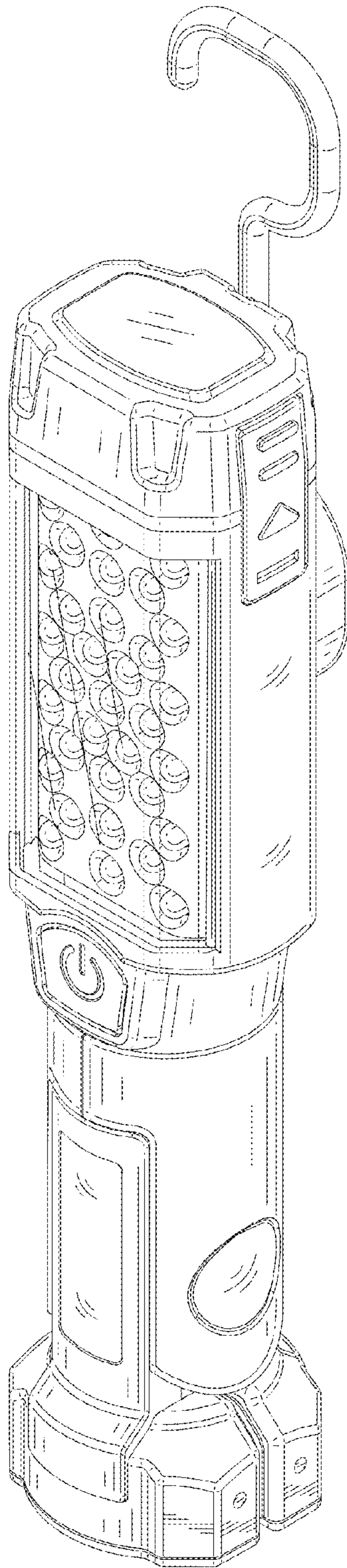


FIG.9

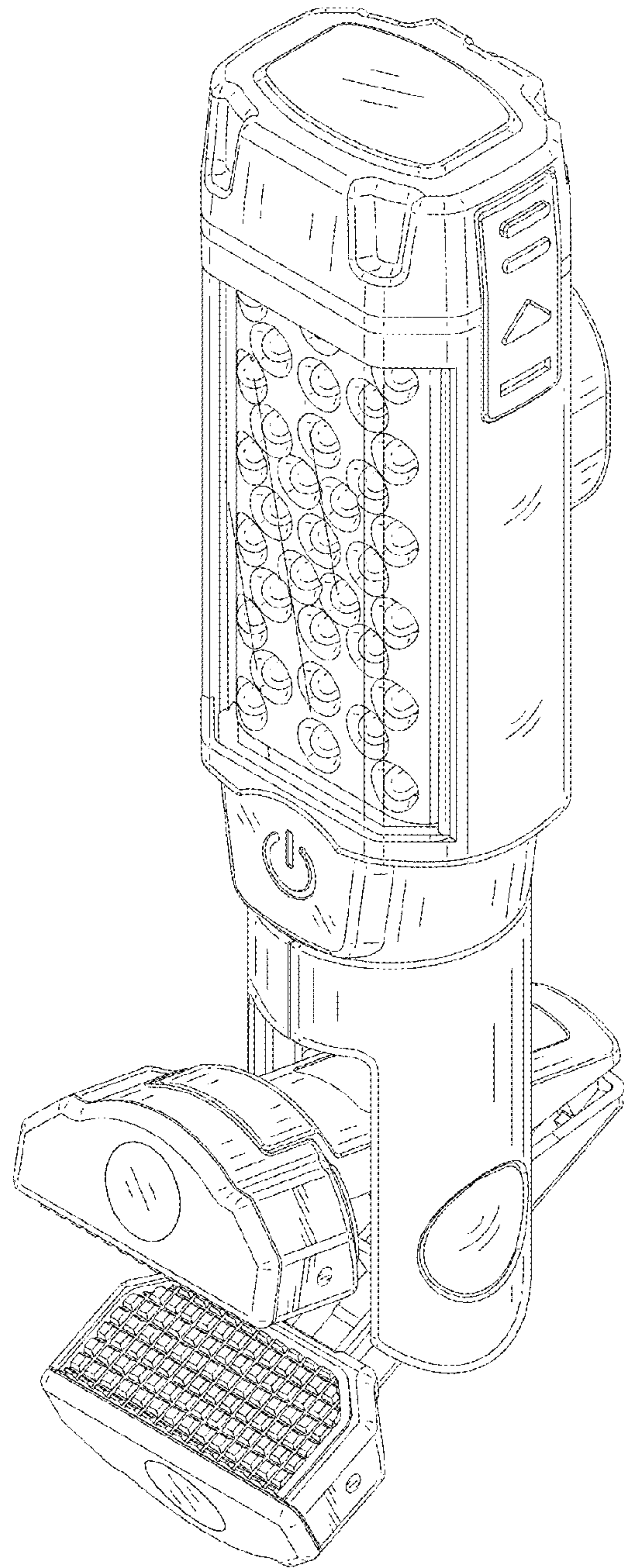


FIG.10

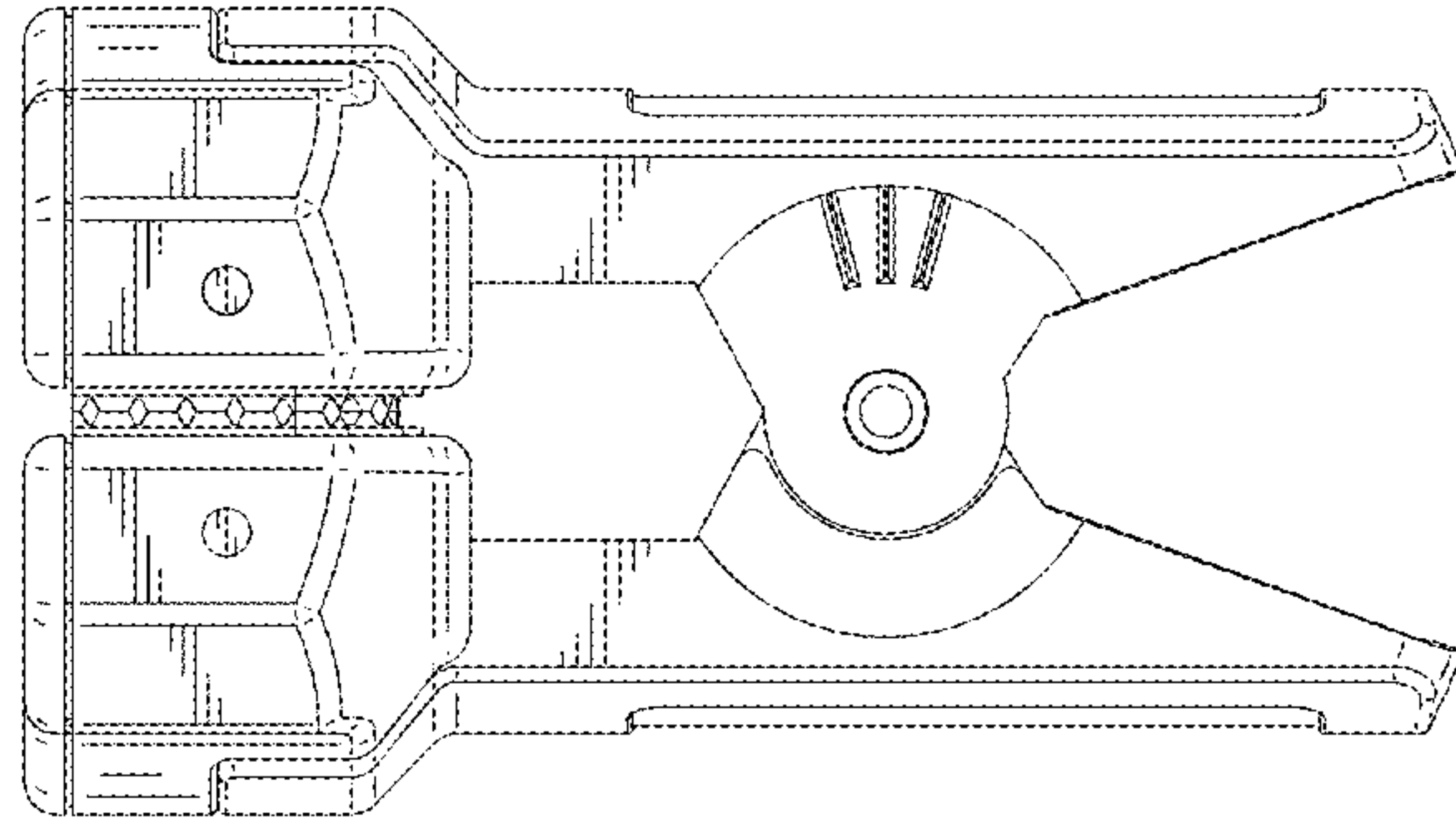


FIG.11

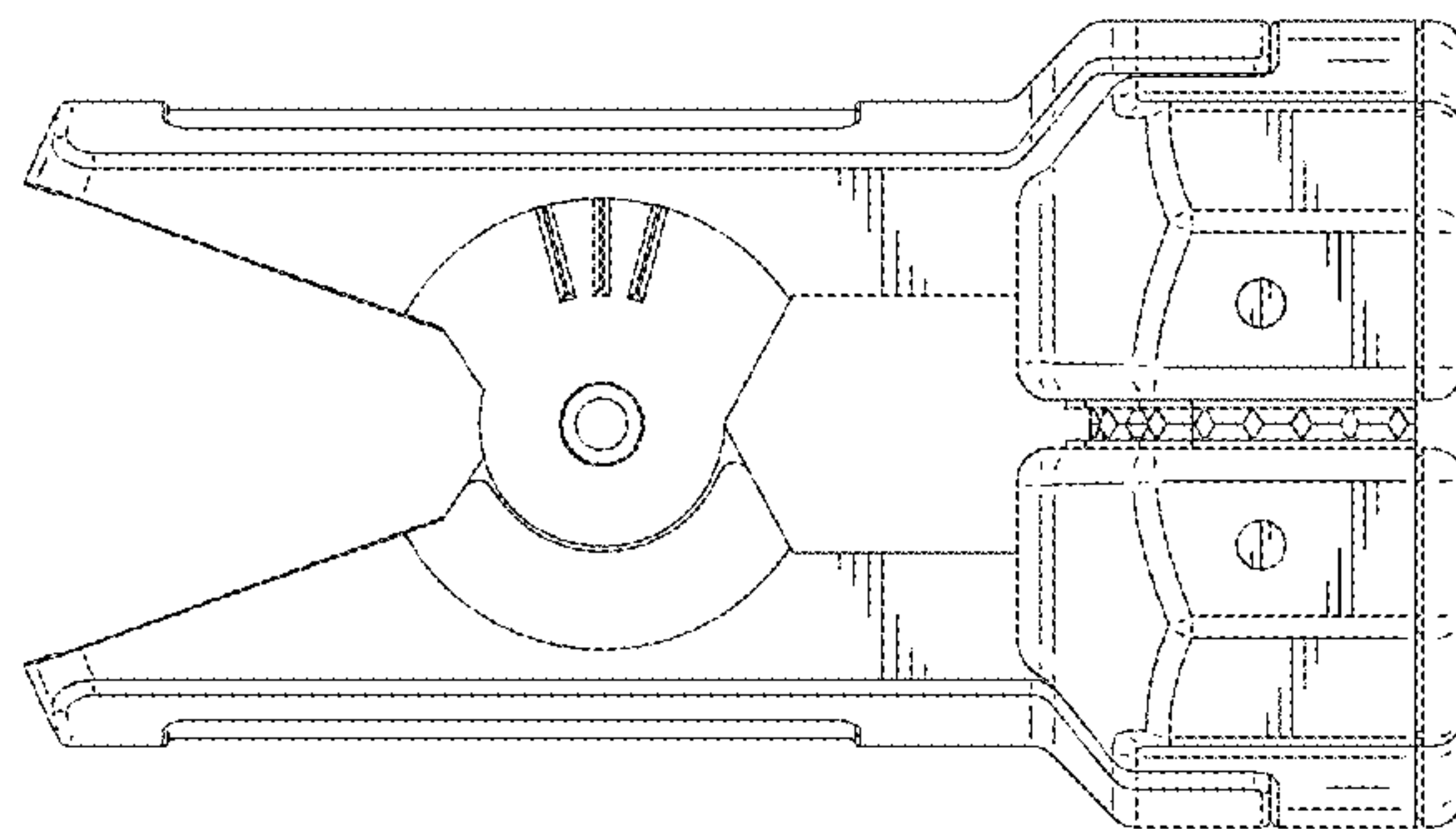


FIG.12

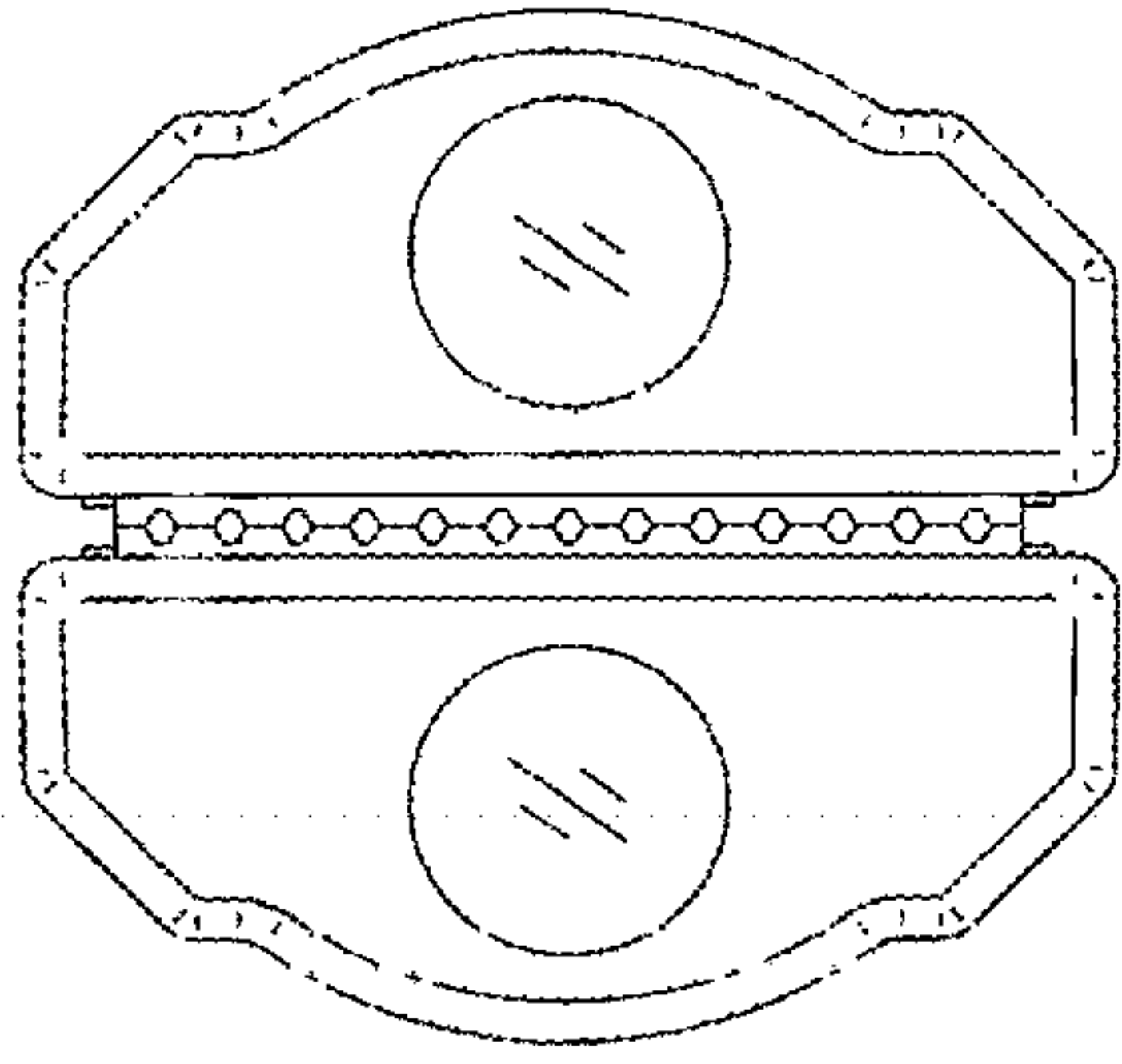


FIG. 13

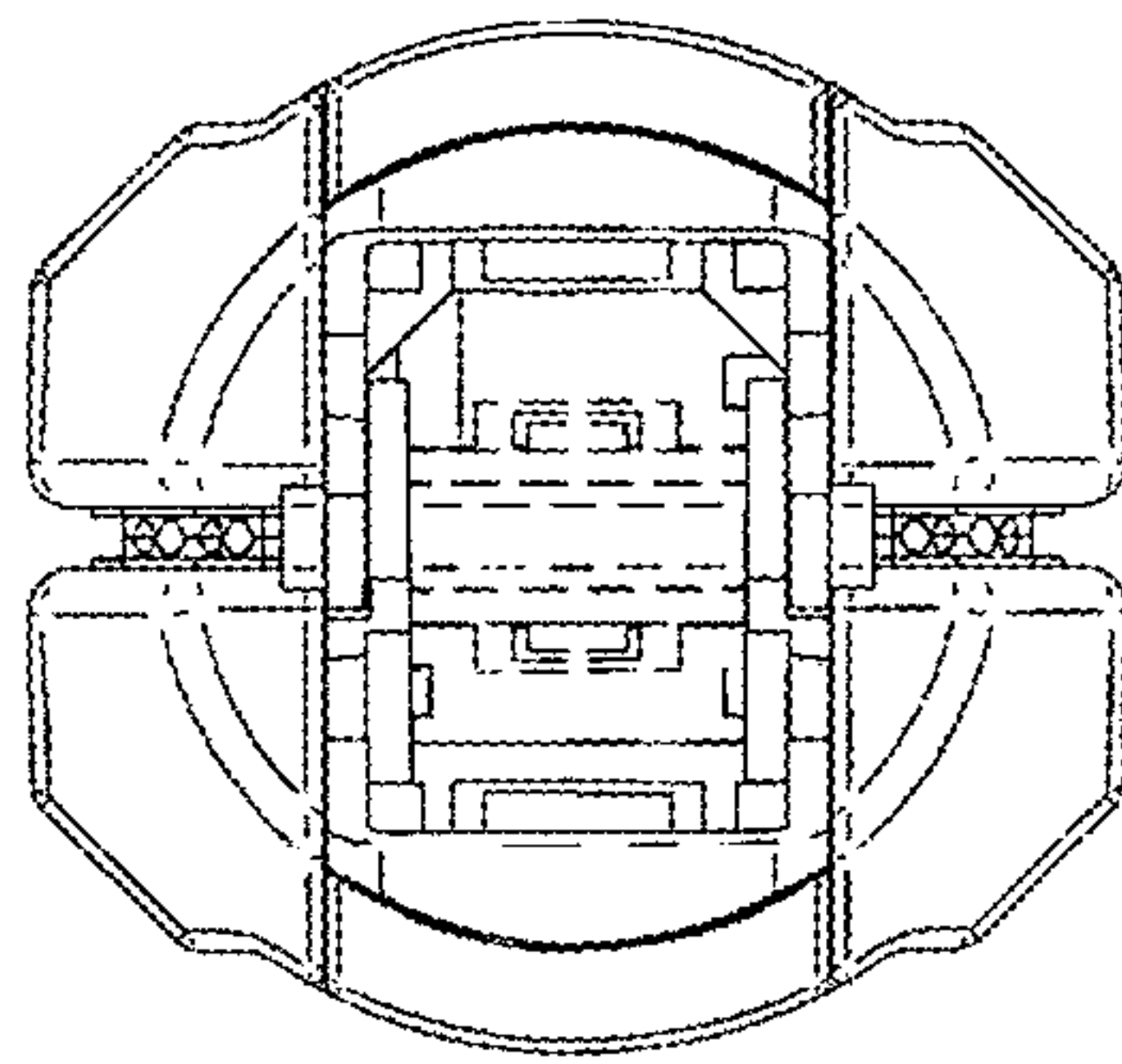


FIG. 14

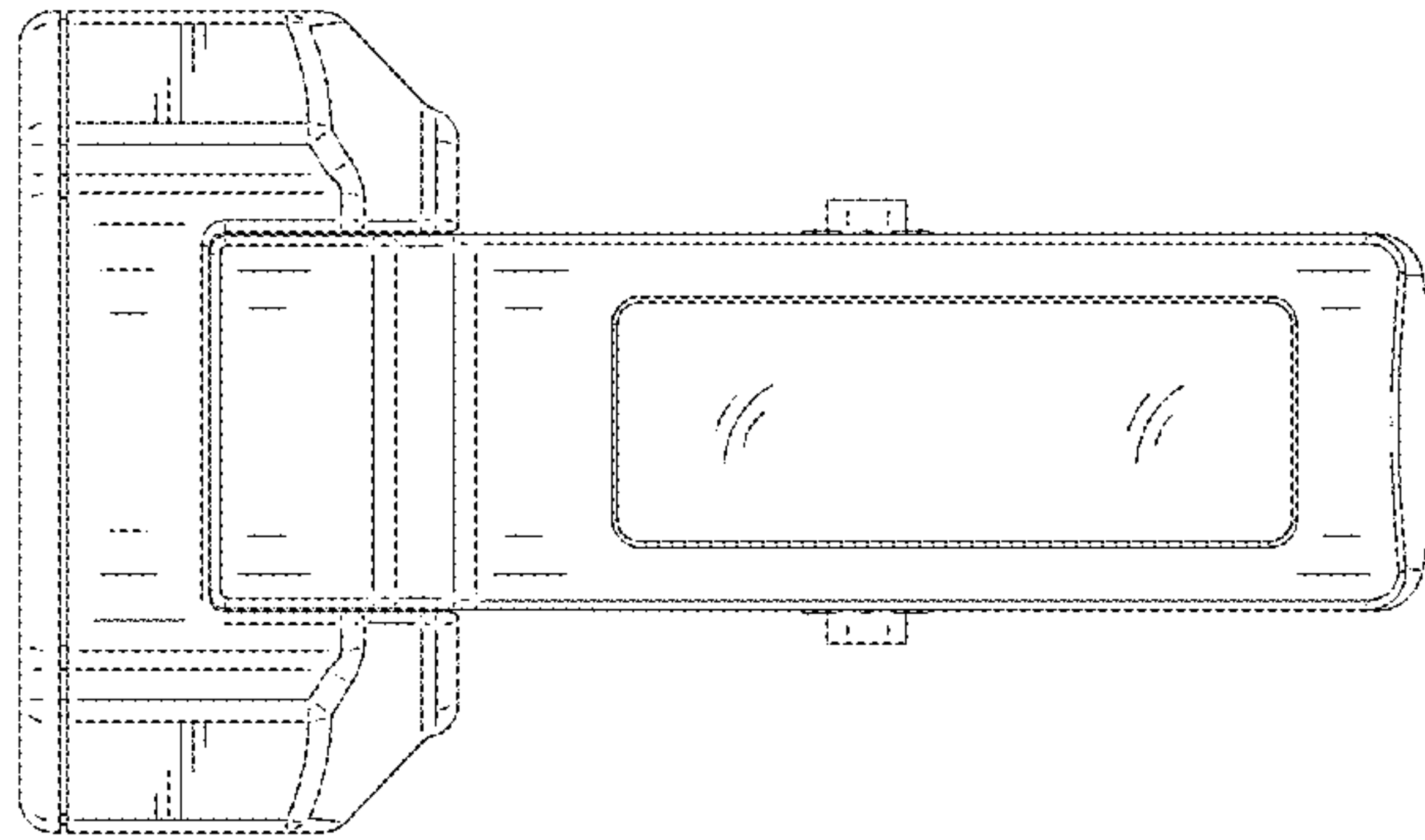


FIG.15

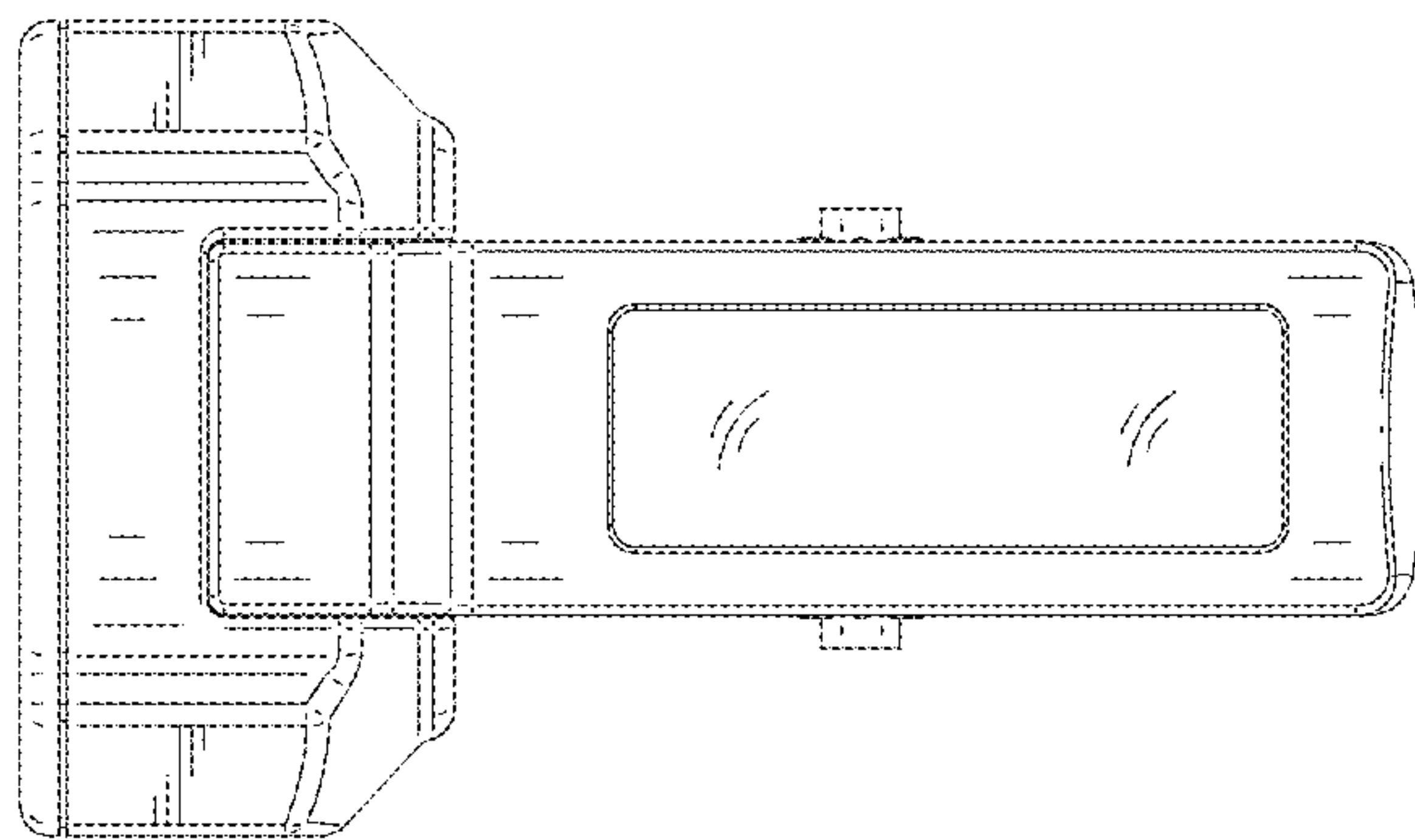


FIG.16

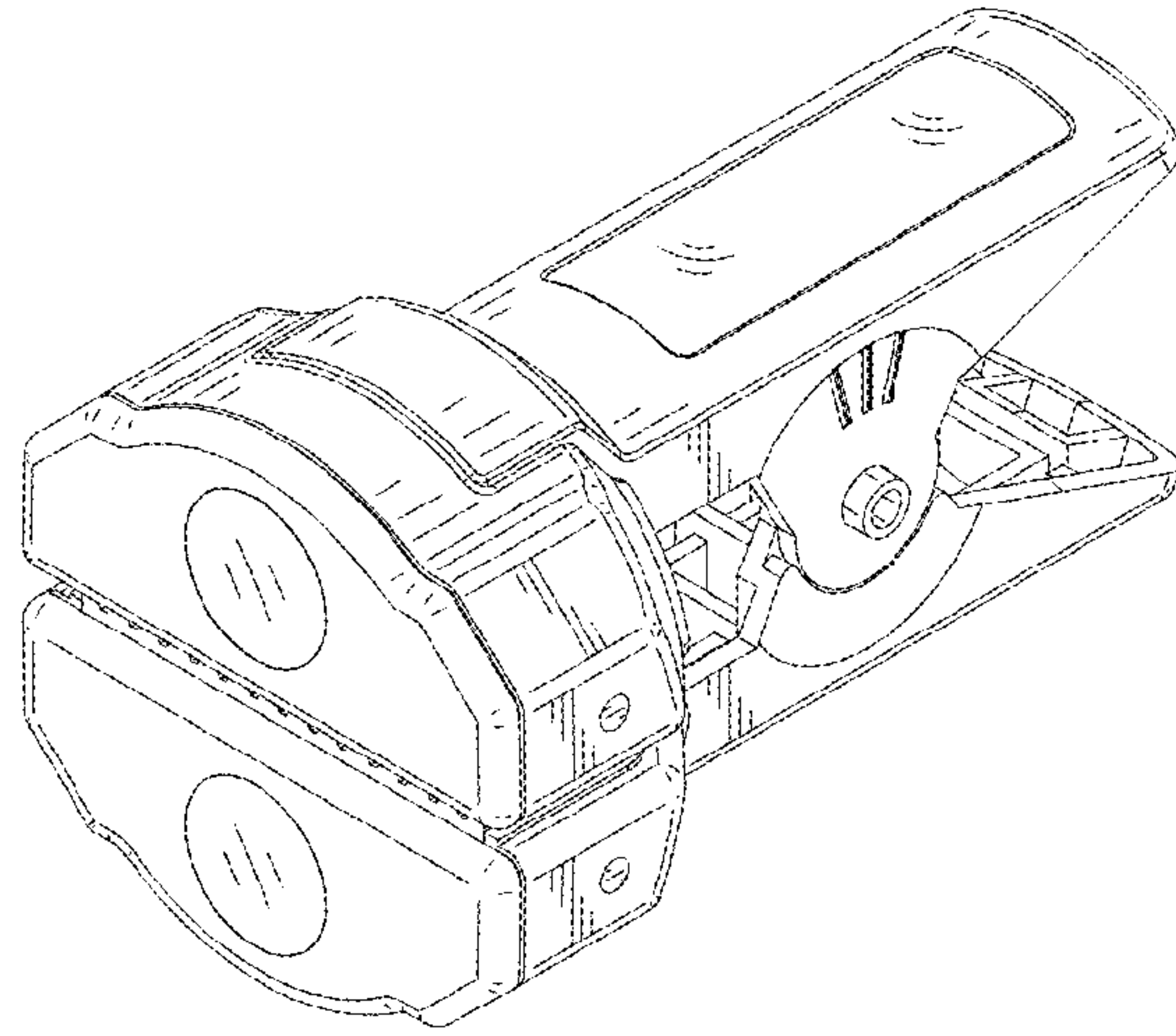


FIG.17

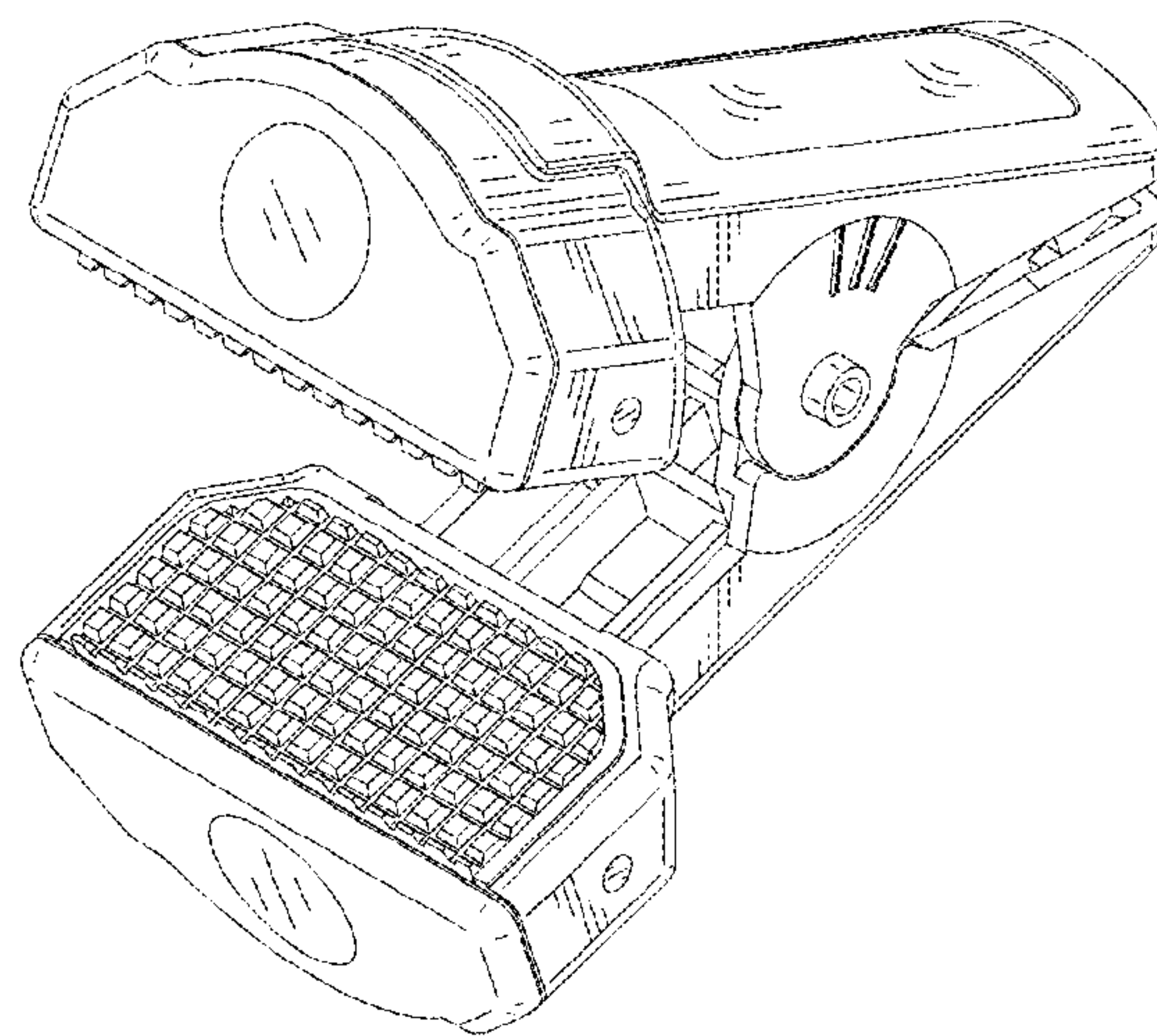


FIG.18

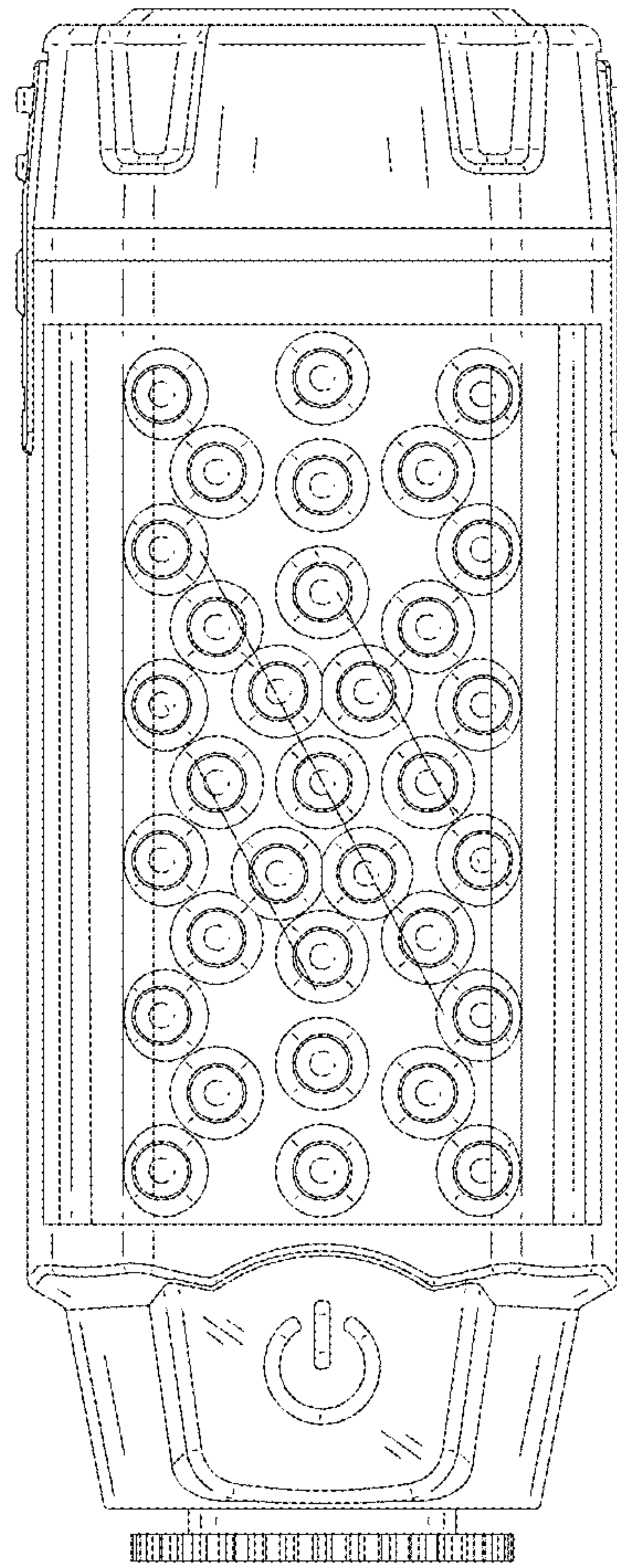


FIG.19

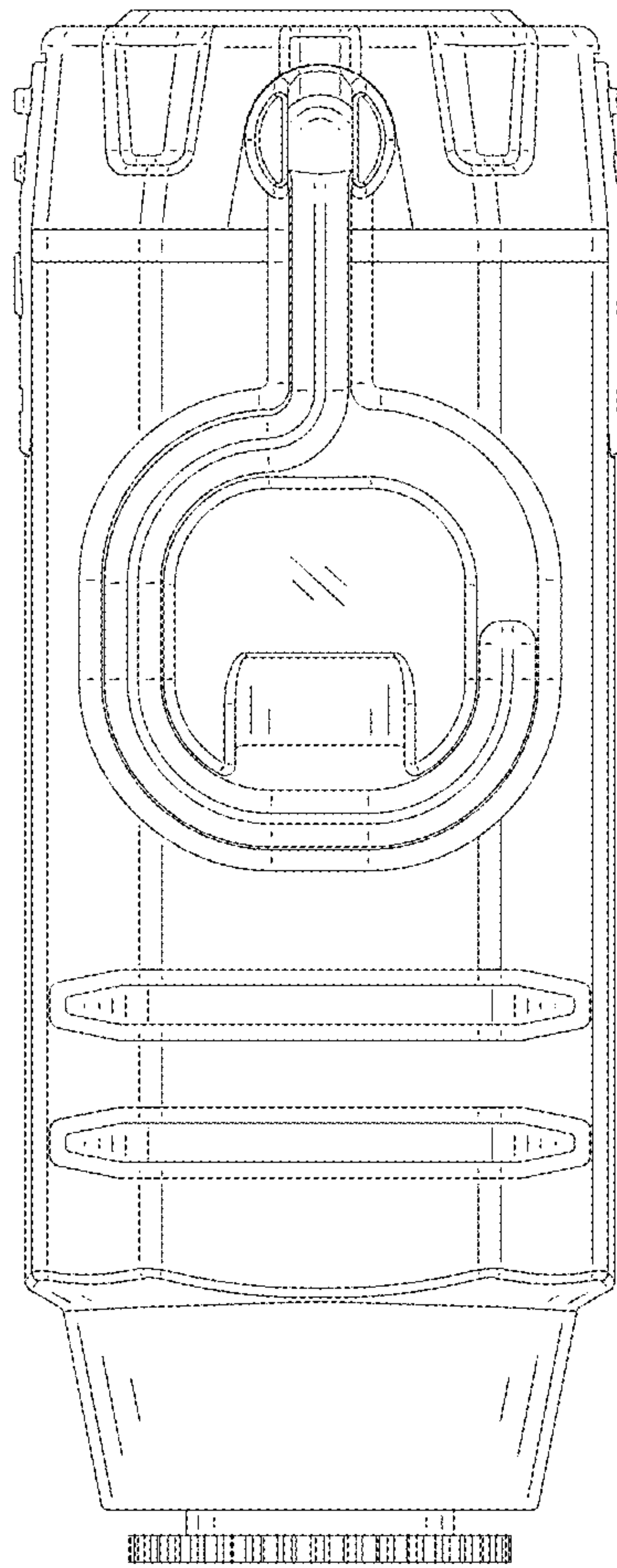


FIG.20

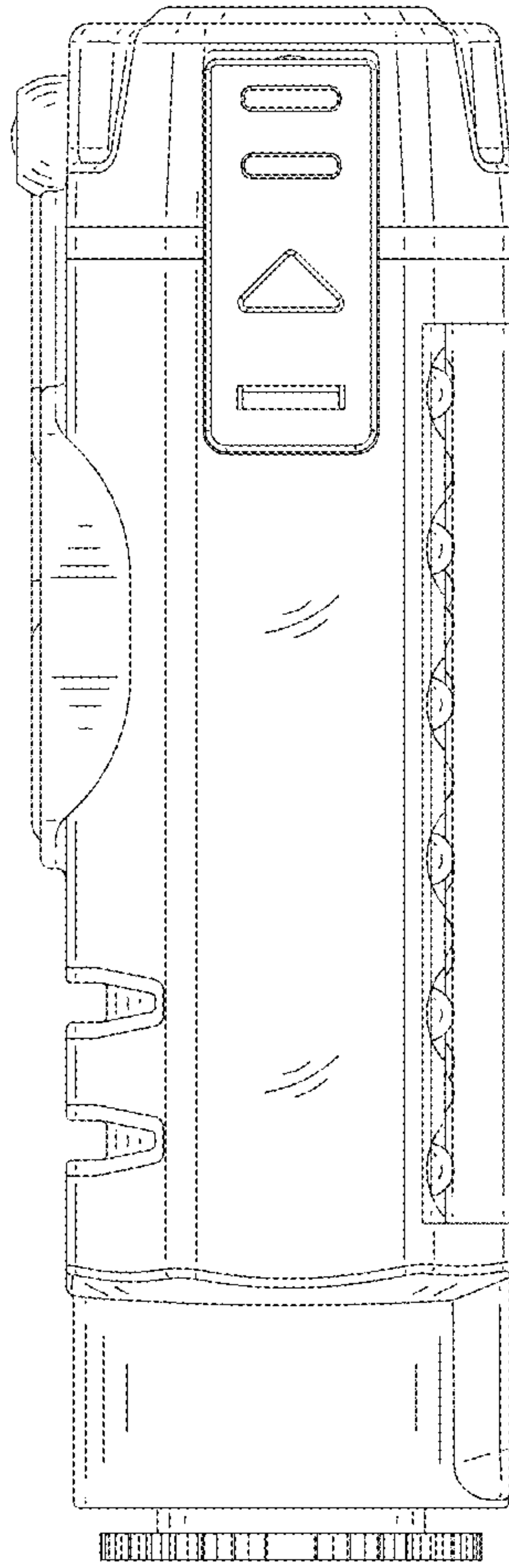


FIG.21

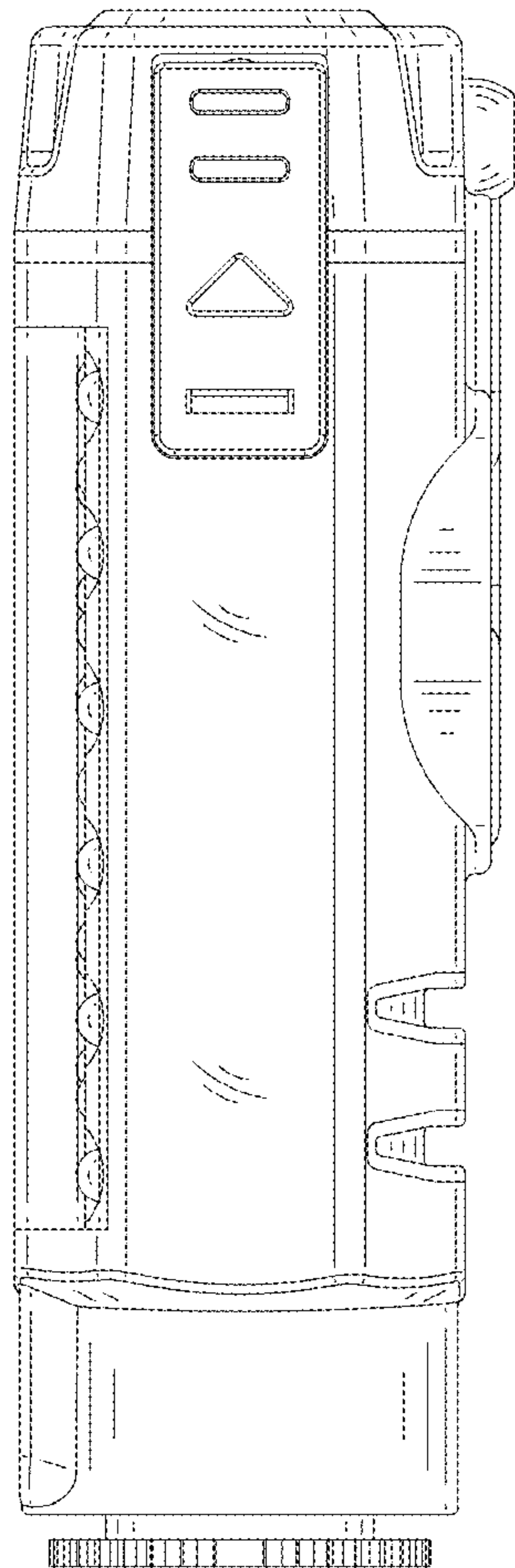


FIG.22

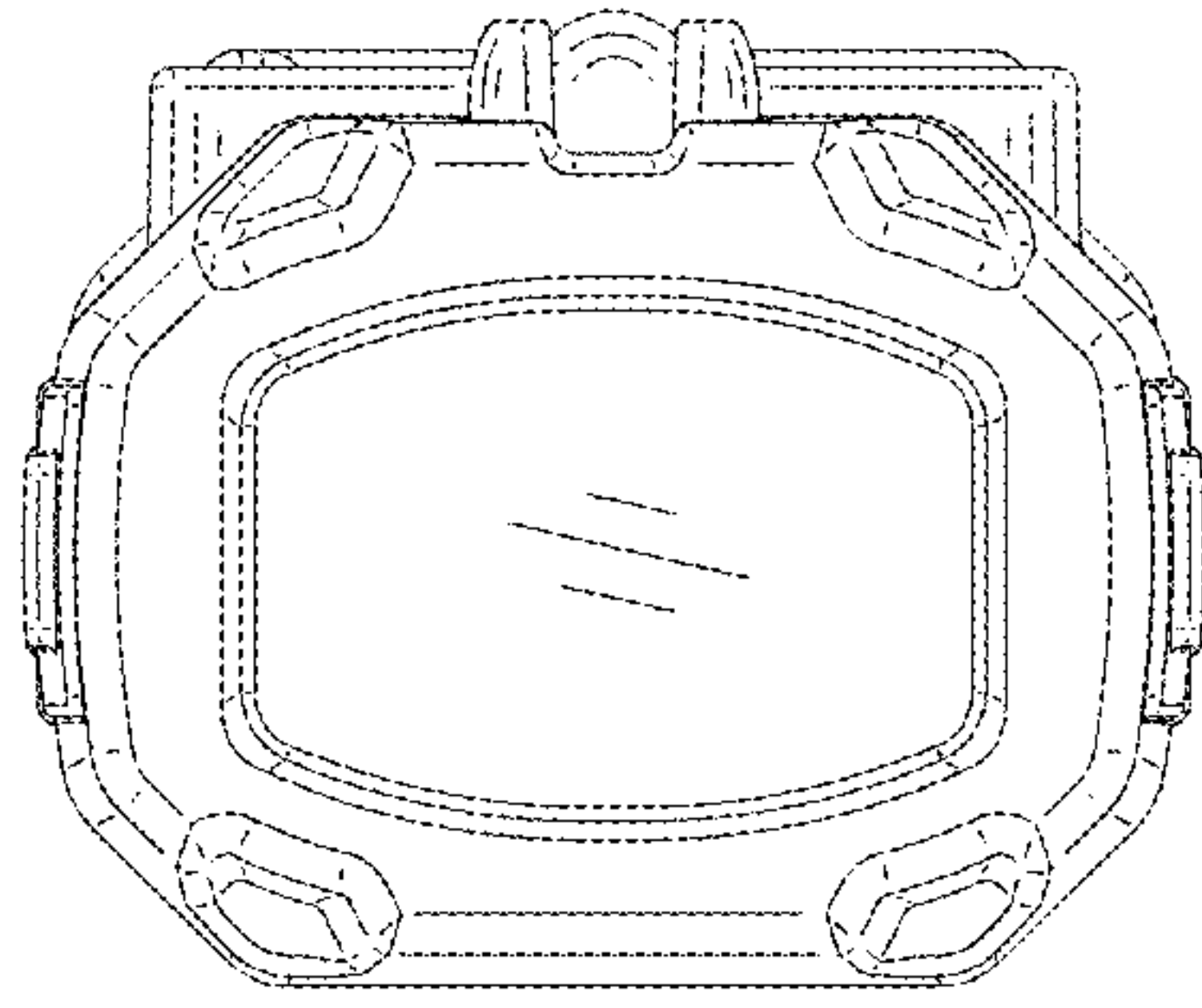


FIG.23

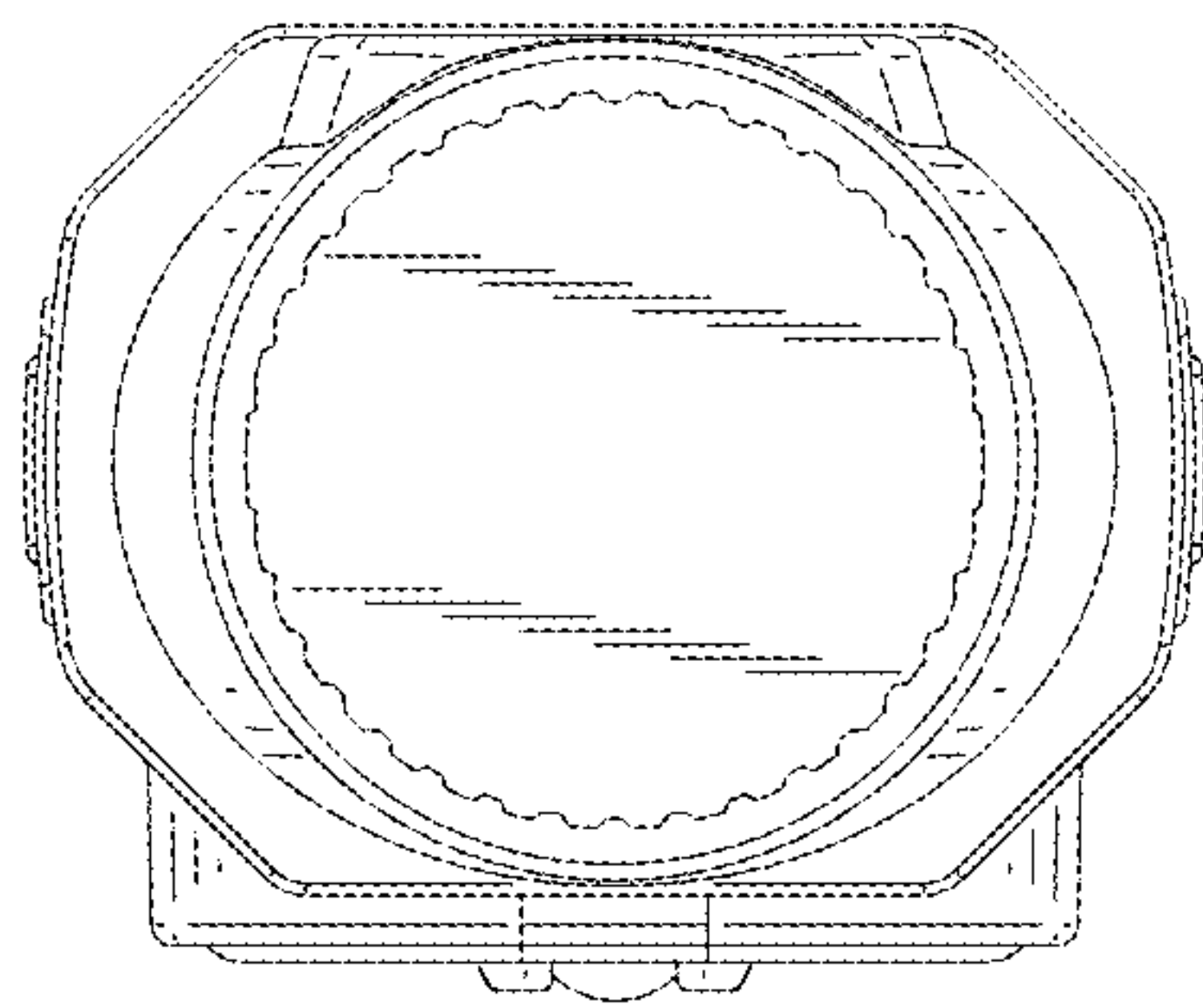


FIG.24

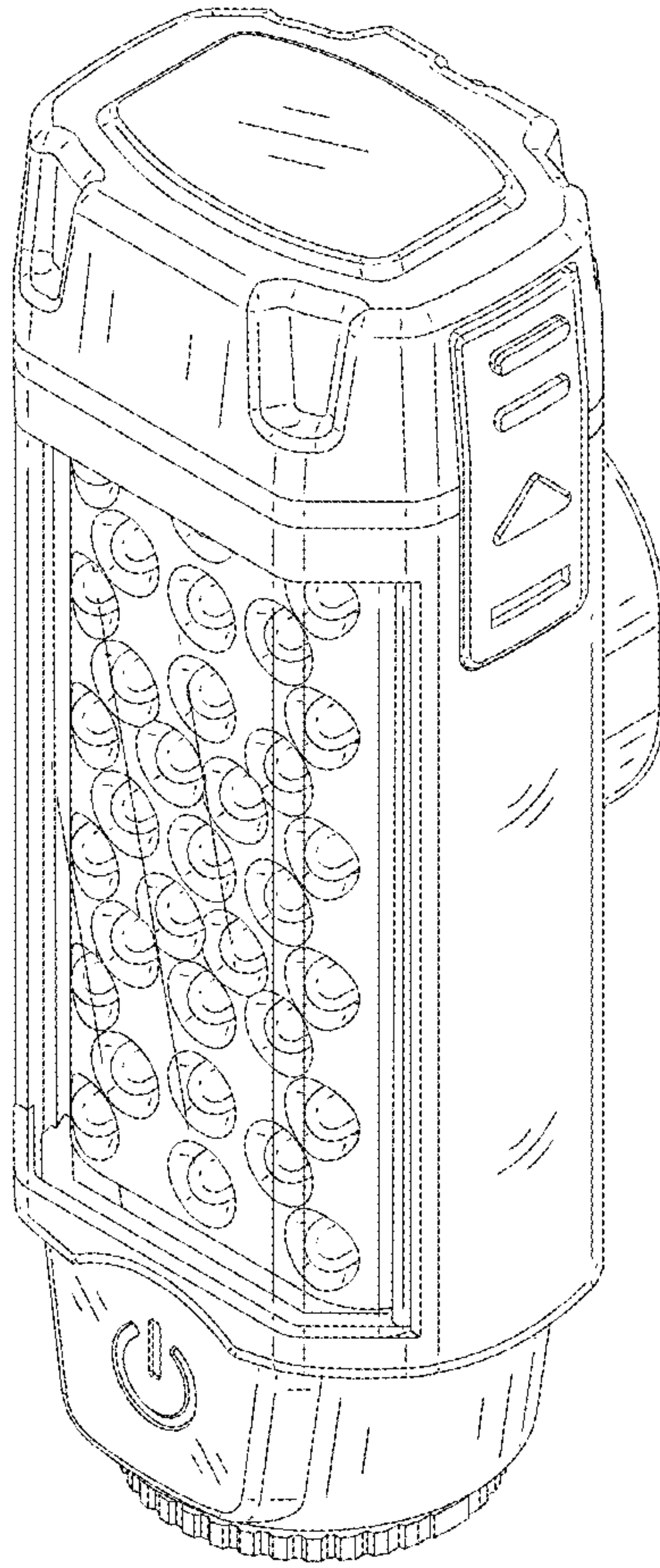


FIG.25

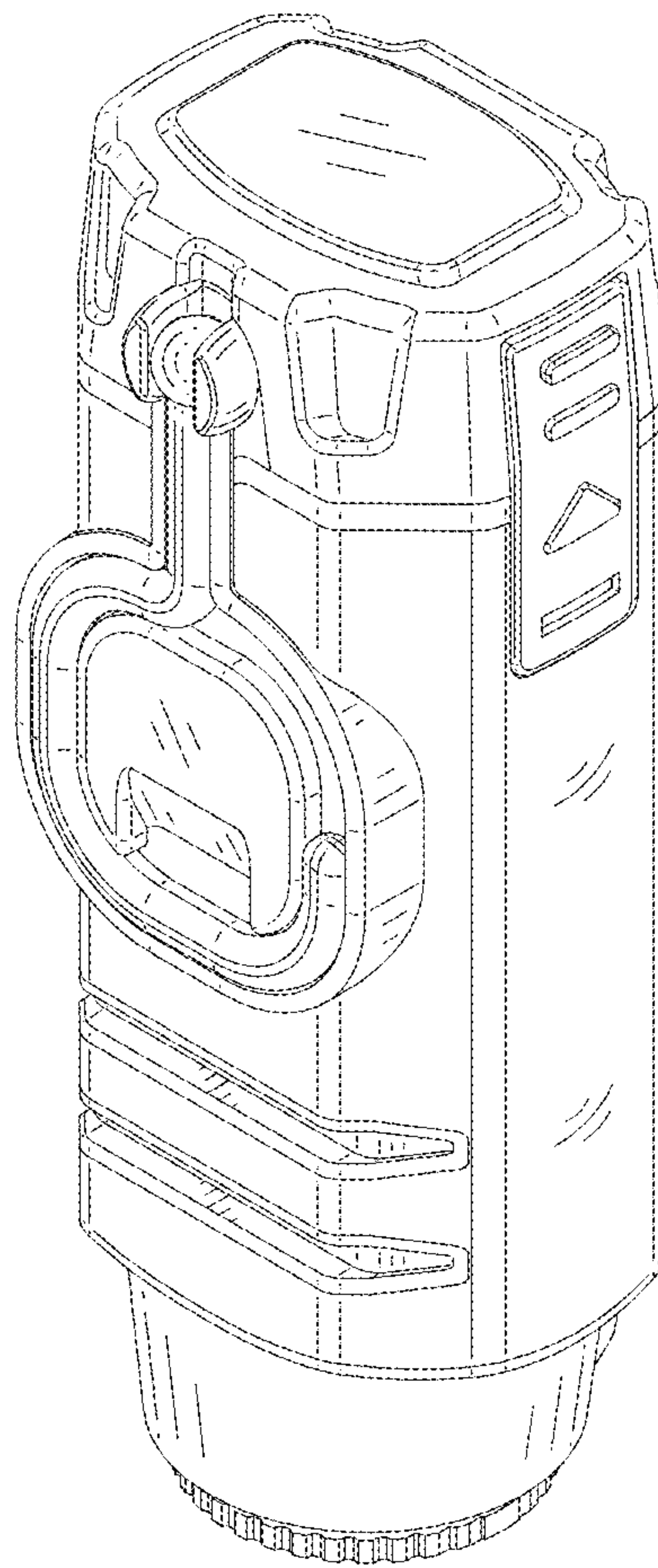


FIG.26

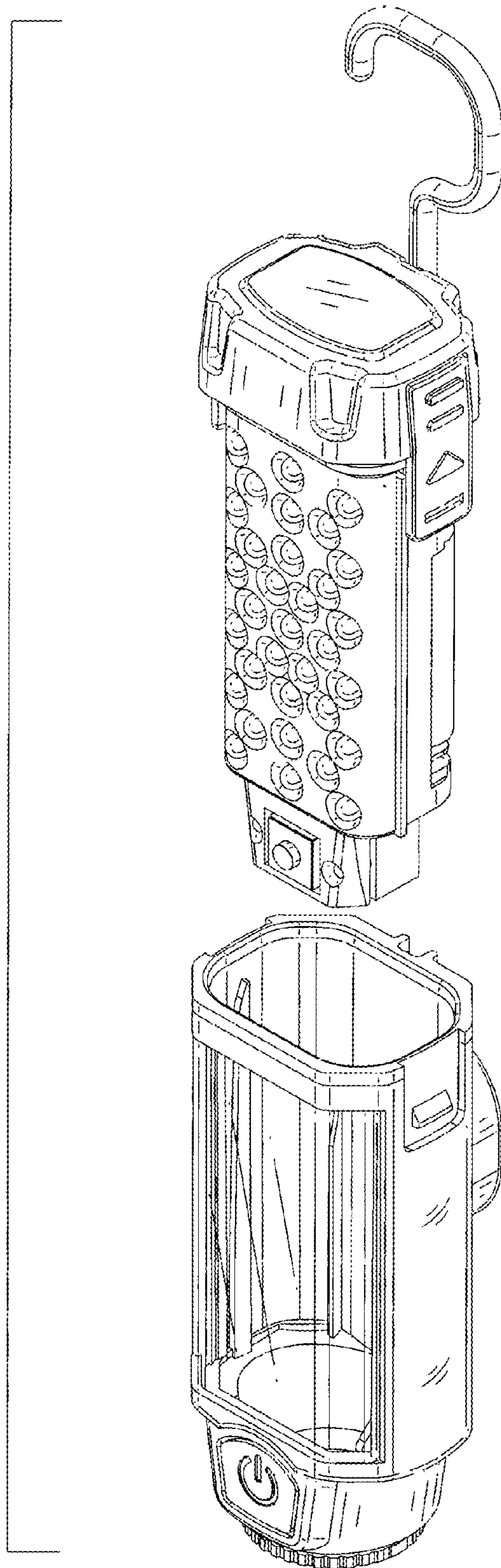


FIG.27

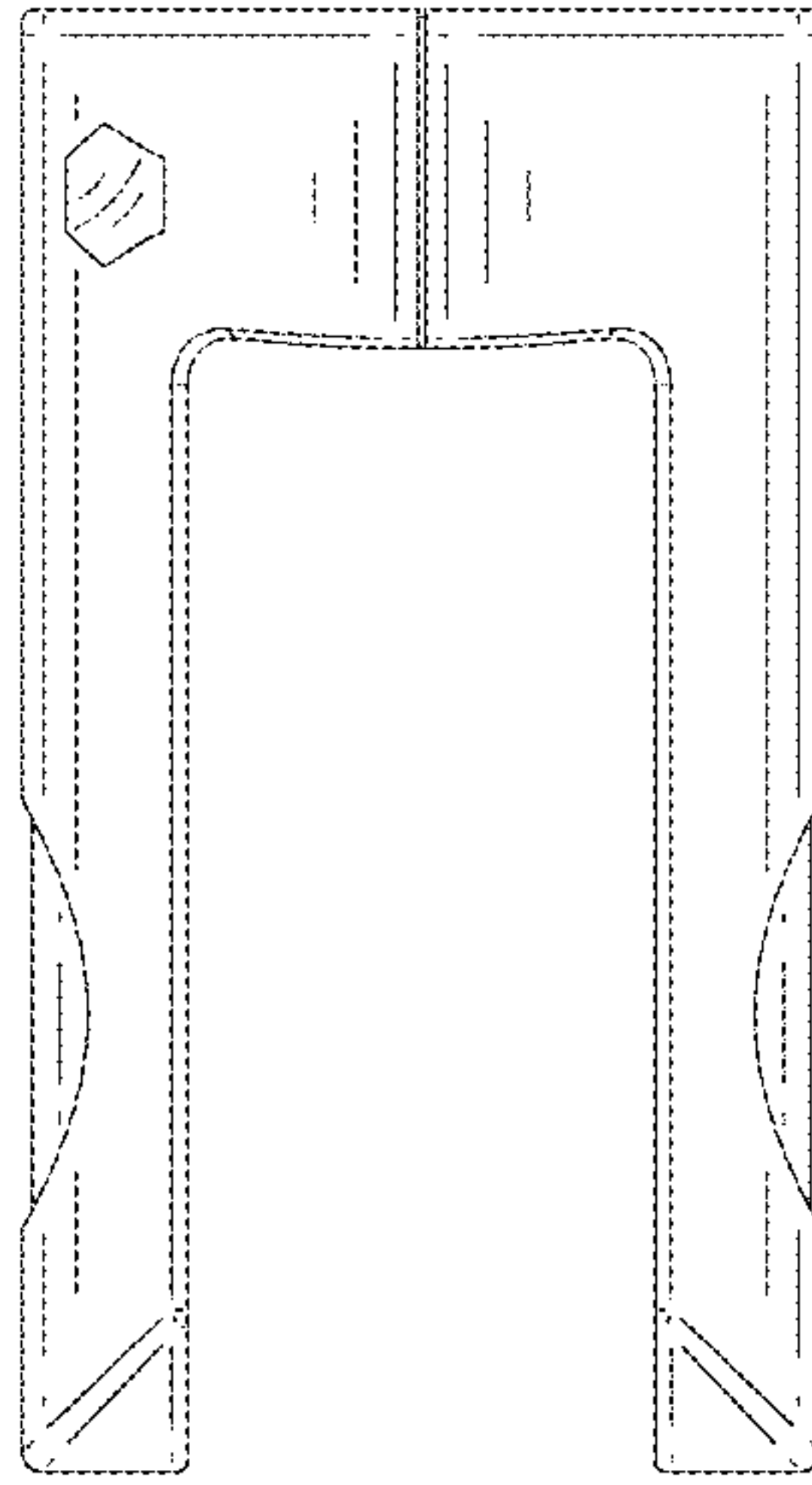


FIG.28

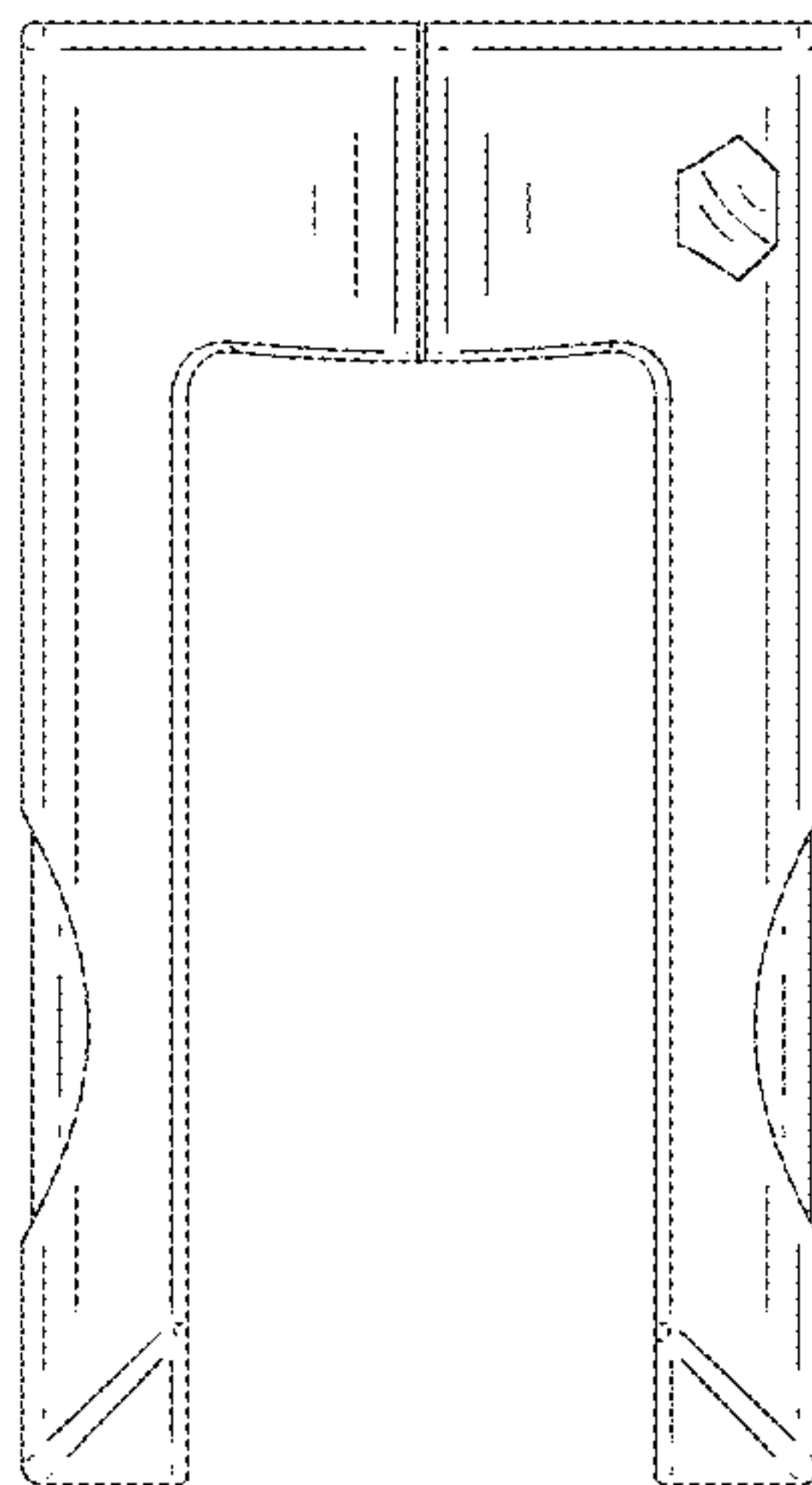


FIG.29

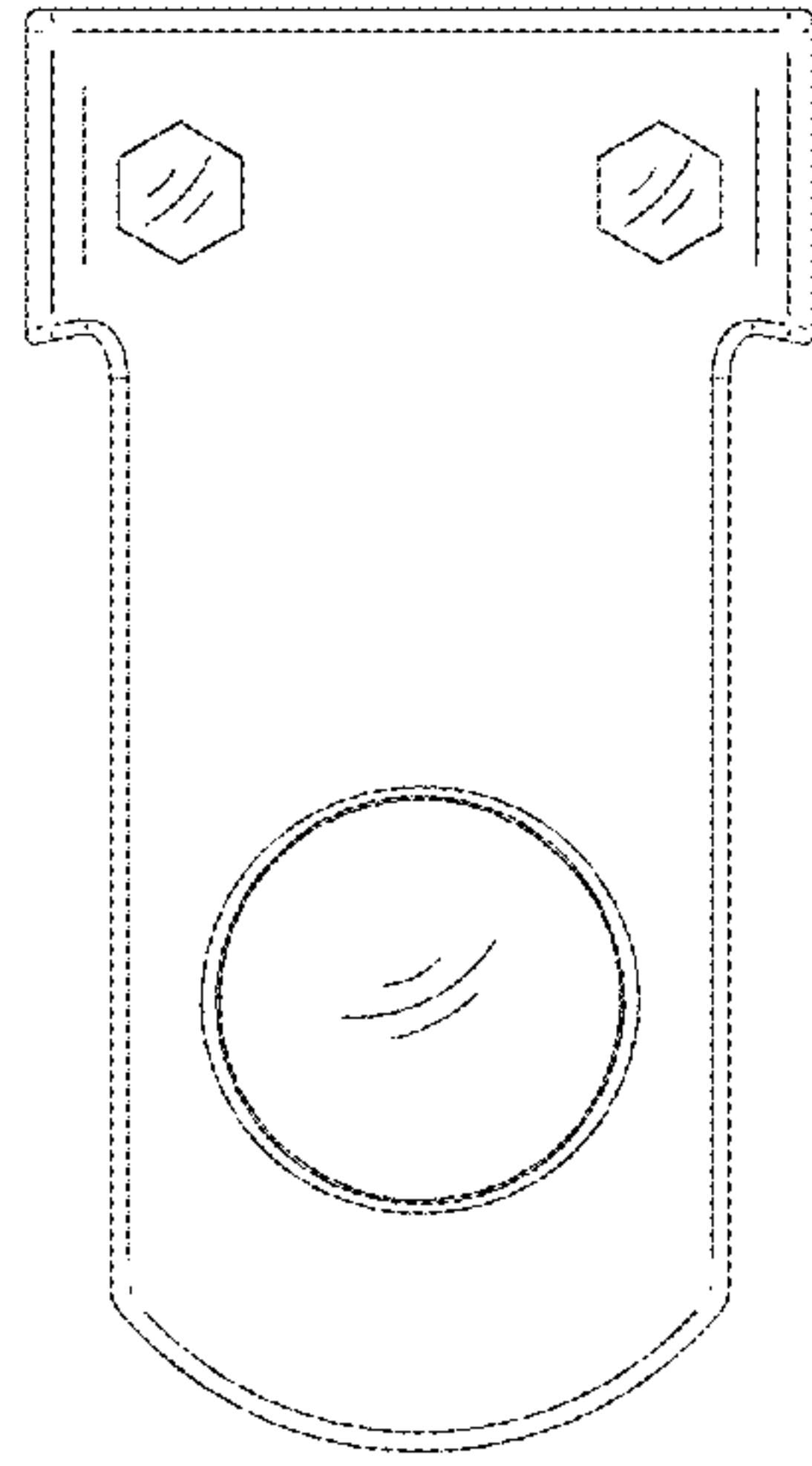


FIG.30

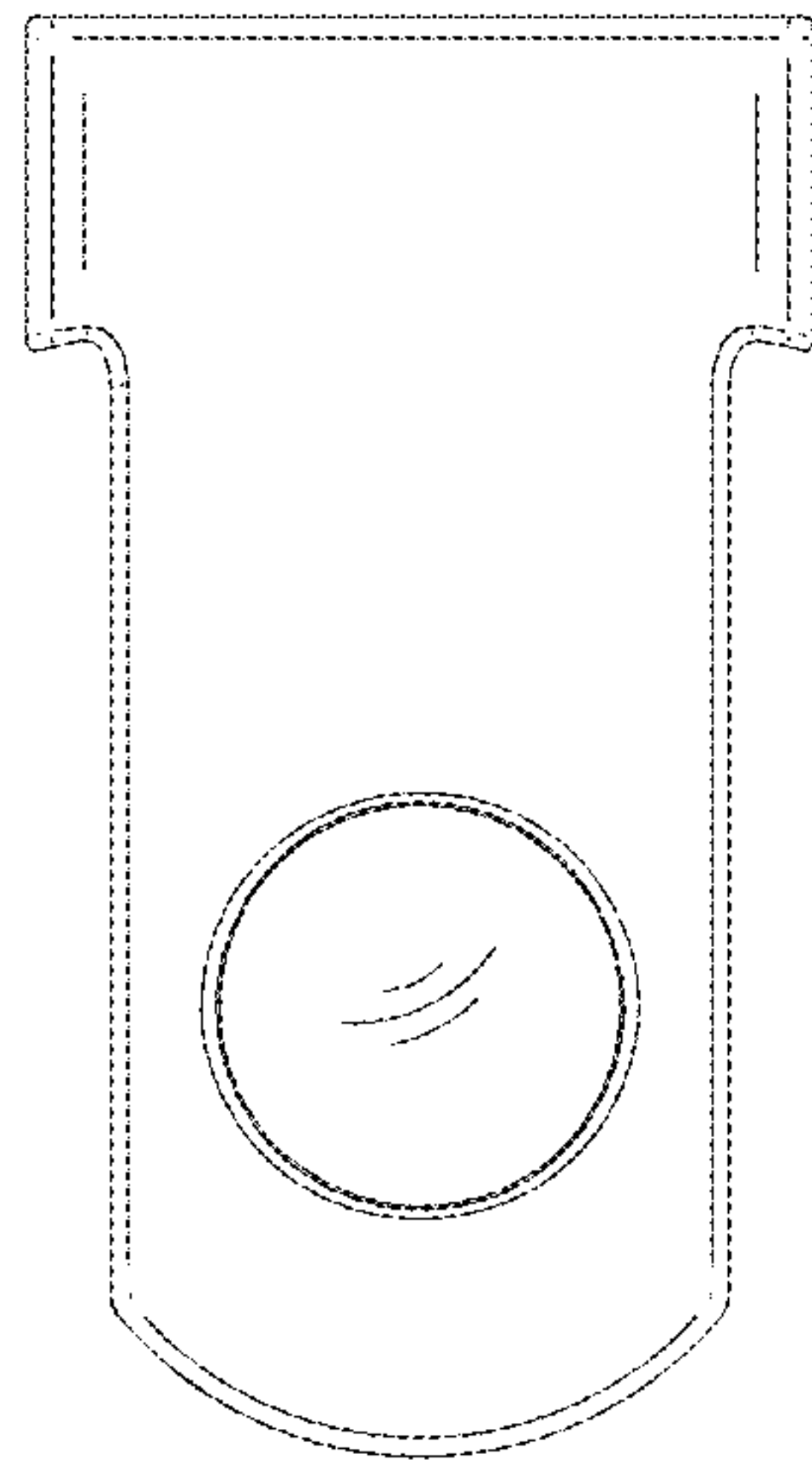


FIG.31

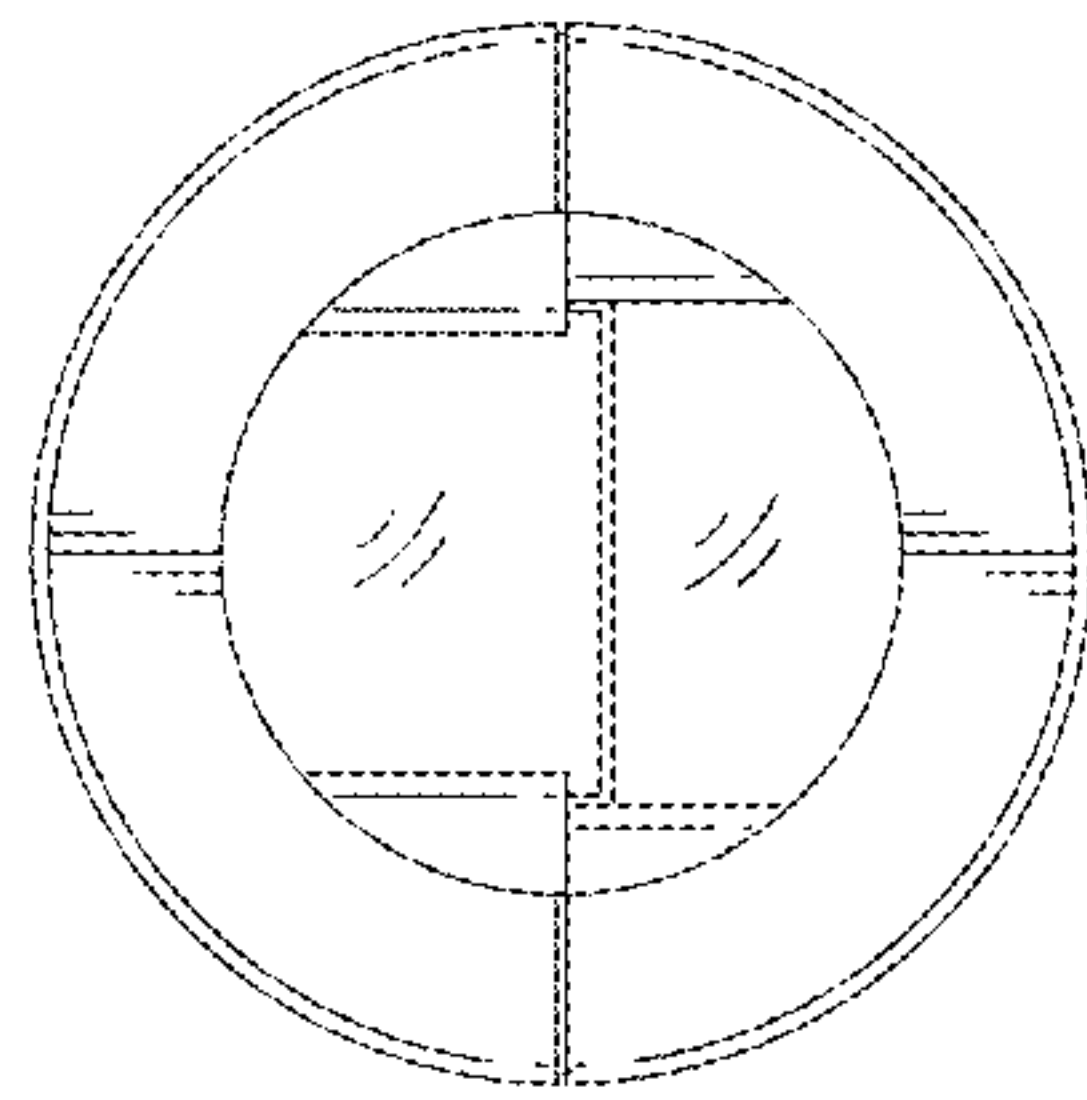


FIG.32

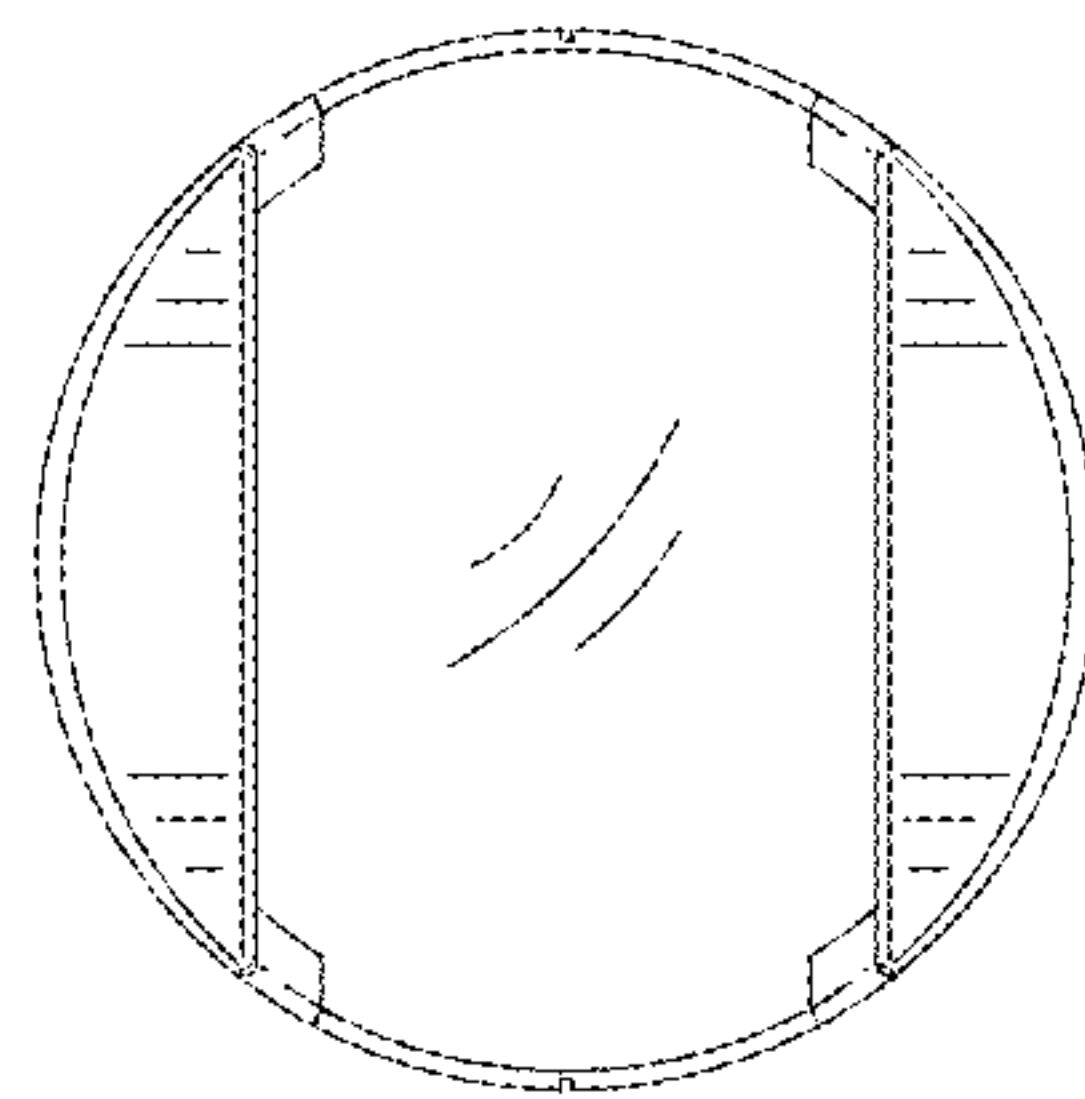


FIG.33

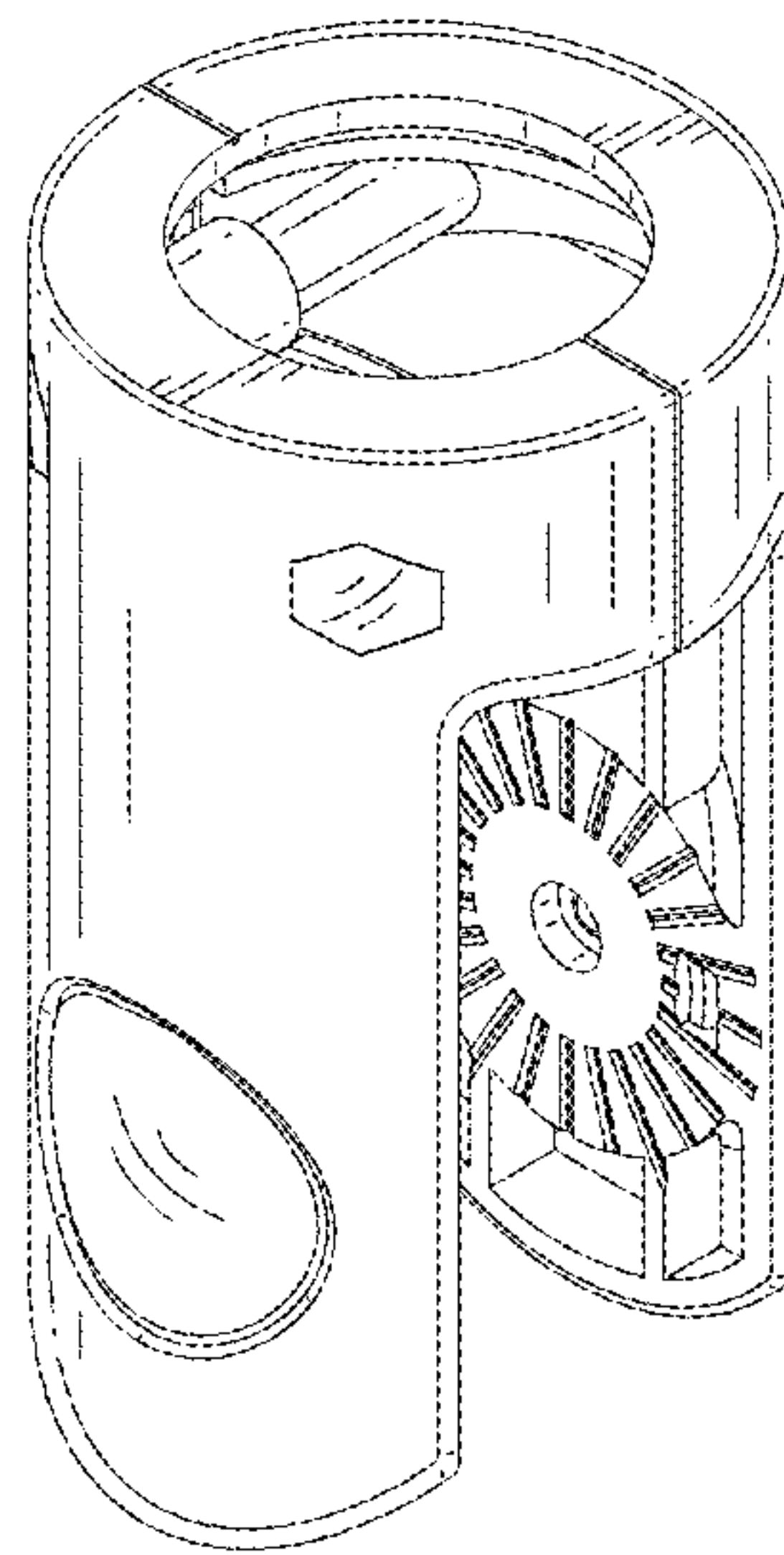


FIG.34