



US00D766476S

(12) **United States Design Patent** (10) **Patent No.:** **US D766,476 S**  
**Liu** (45) **Date of Patent:** **\*\* Sep. 13, 2016**

(54) **LIGHT HEAD**

D733,946 S \* 7/2015 Chen ..... D26/28  
D735,910 S \* 8/2015 Chang ..... D26/28  
D745,720 S \* 12/2015 Chang ..... D26/28

(71) Applicant: **Juluen Enterprise Co., Ltd.**, New Taipei (TW)

\* cited by examiner

(72) Inventor: **Tung-Kang Liu**, New Taipei (TW)

*Primary Examiner* — Angela J Lee

(73) Assignee: **Juluen Enterprise Co., Ltd.**, New Taipei (TW)

(74) *Attorney, Agent, or Firm* — King & Schickli, PLLC

(\*\*) Term: **15 Years**

(57) **CLAIM**

The ornamental design for a light head, as shown and described.

(21) Appl. No.: **29/528,306**

**DESCRIPTION**

(22) Filed: **May 28, 2015**

FIG. 1 is a front perspective view of a first embodiment of a light head;

(51) **LOC (10) Cl.** ..... **26-07**

FIG. 2 is a top plan view of the first embodiment of the light head;

(52) **U.S. Cl.**

USPC ..... **D26/28**

FIG. 3 is a front side view of the first embodiment of the light head, the opposite rear view being identical;

(58) **Field of Classification Search**

USPC ..... D26/28-36; 362/459-468, 475-478, 362/485-487

FIG. 4 is a bottom view of the first embodiment of the light head;

CPC ..... F21S 48/00; F21S 48/10; F21S 48/115; F21S 48/225; F21S 48/1233; F21S 48/1266; F21S 48/1388; F21S 48/2268; F21V 21/04

FIG. 5 is a right side view of the first embodiment of the light head, the opposite left side view being identical;

See application file for complete search history.

FIG. 6 is a front perspective view of a second embodiment of the light head;

(56) **References Cited**

**U.S. PATENT DOCUMENTS**

D269,210 S \* 5/1983 Cutlip ..... D26/24  
D311,962 S \* 11/1990 Huebner ..... D26/28  
D427,343 S \* 6/2000 Reinbach ..... D26/28  
D436,194 S \* 1/2001 Reinbach ..... D26/28  
D492,047 S \* 6/2004 Dohogne ..... D26/28  
D512,790 S \* 12/2005 Handsaker ..... D26/28  
D589,836 S \* 4/2009 Pokorny ..... D10/110  
D673,703 S \* 1/2013 Davies ..... D26/36  
D715,469 S \* 10/2014 Chou ..... D26/28

FIG. 7 is a top plan view of the second embodiment of the light head;

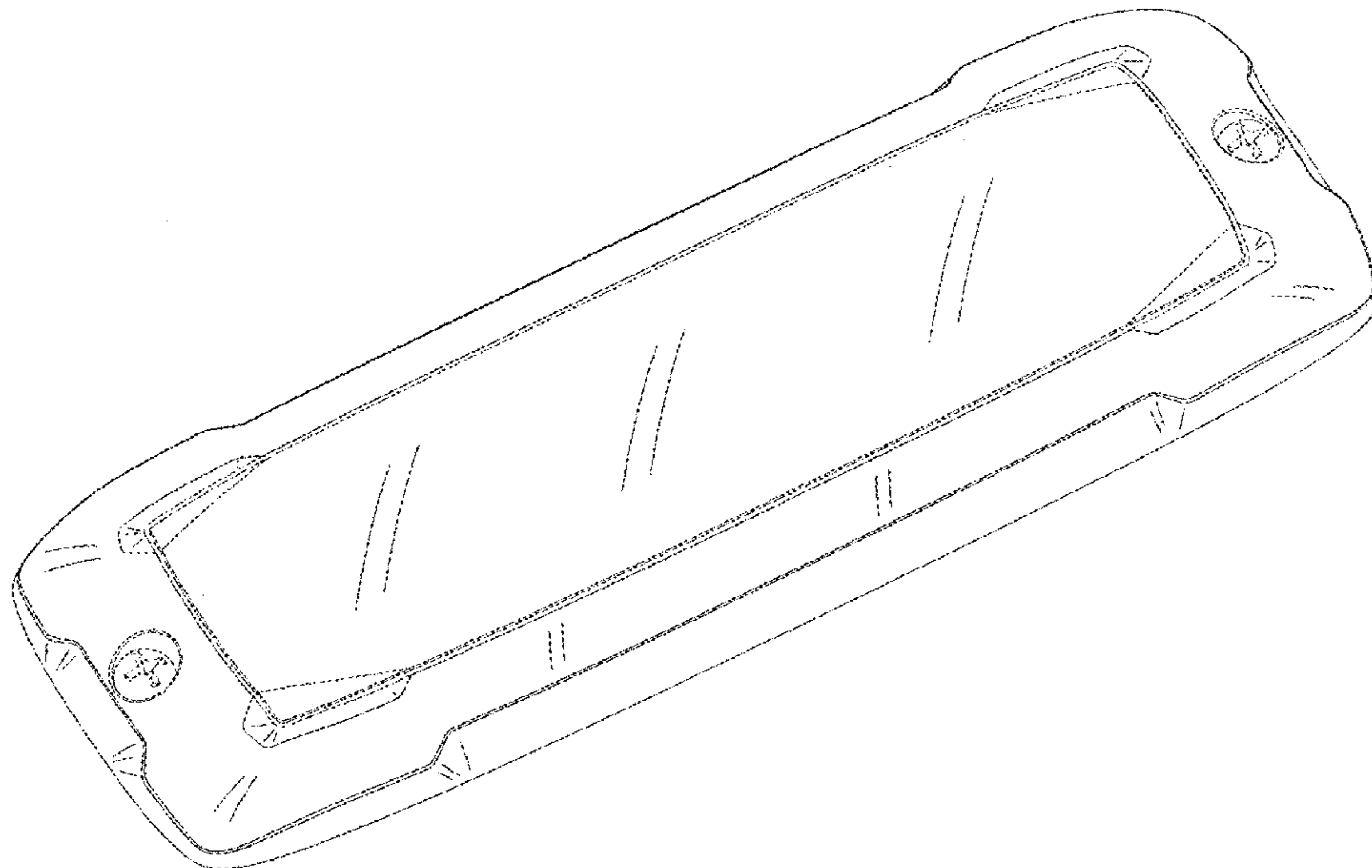
FIG. 8 is a front side view of the second embodiment of the light head, the opposite rear view being identical;

FIG. 9 is a bottom view of the second embodiment of the light head; and,

FIG. 10 is a right side view of the second embodiment of the light head, the opposite left side view being identical.

The broken lines shown in the figures represent portions of the light head that form no part of the claimed design.

**1 Claim, 10 Drawing Sheets**



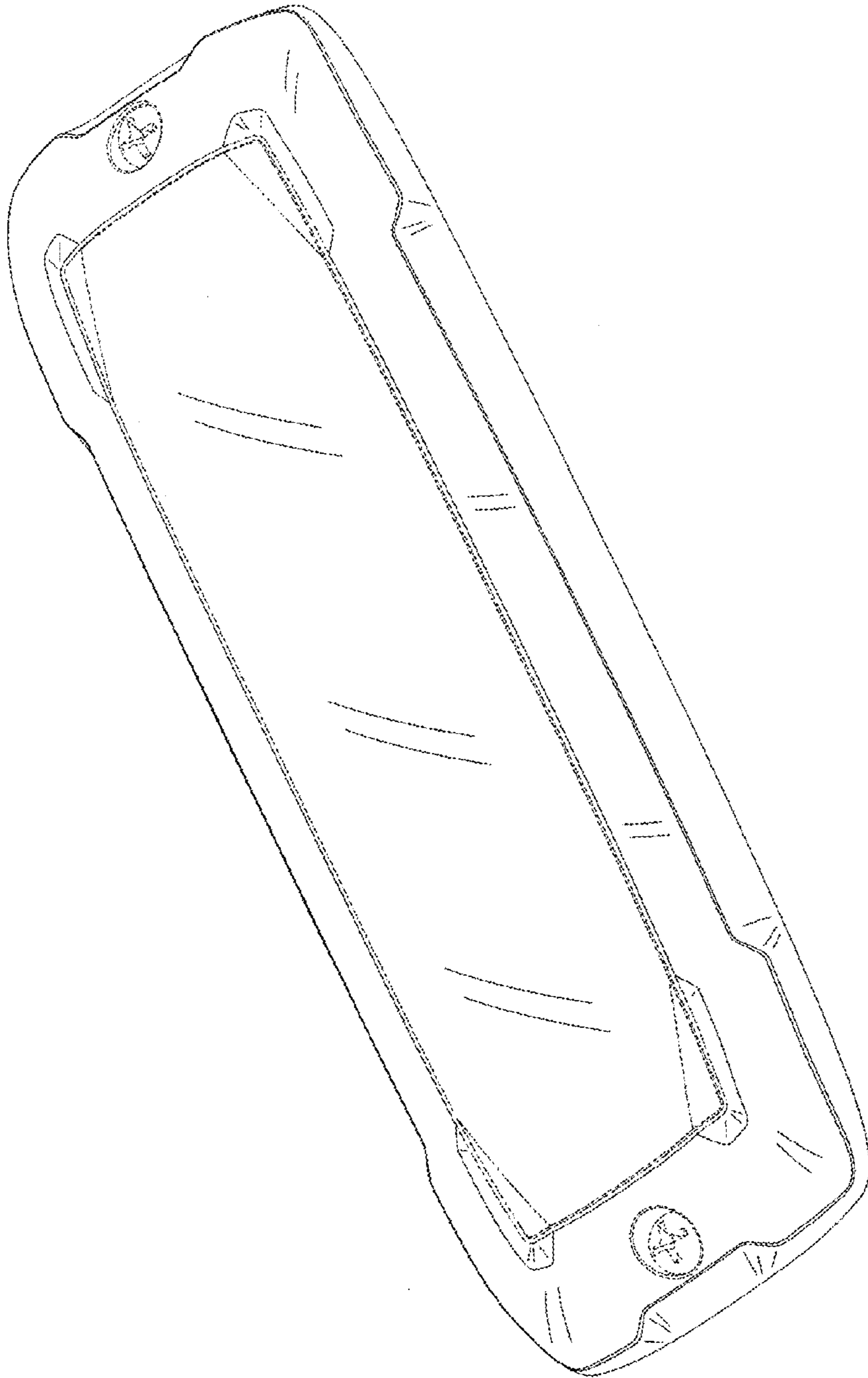


Fig.1

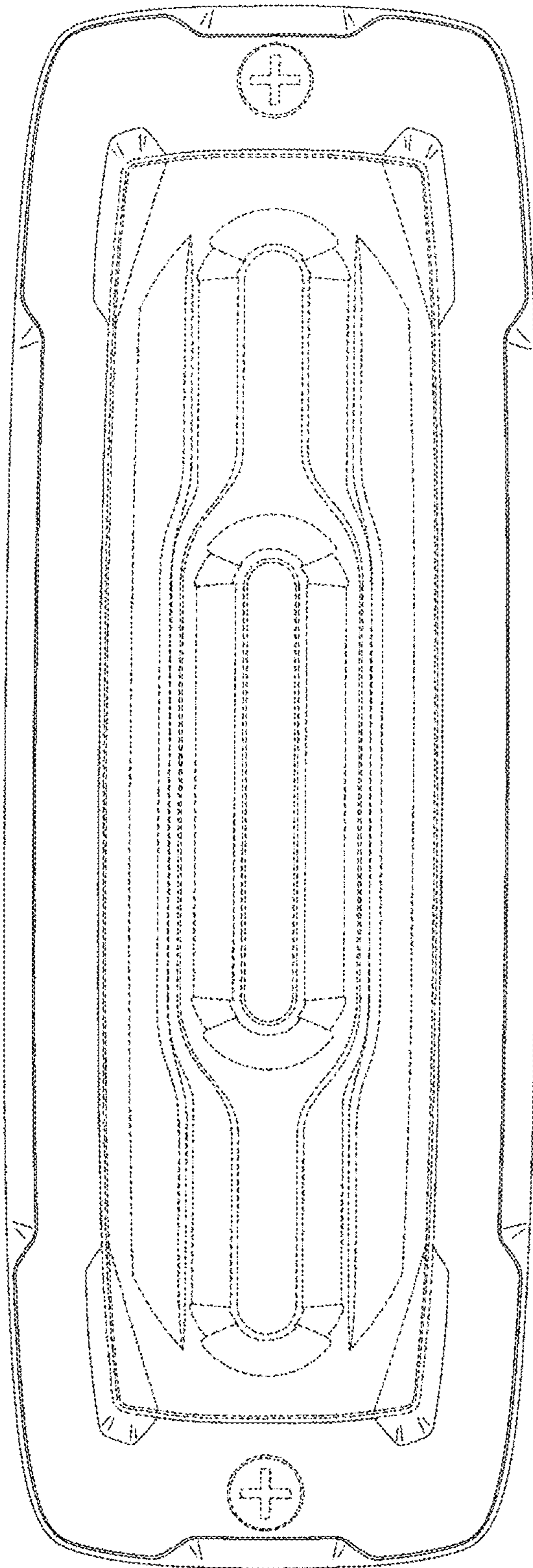


Fig.2

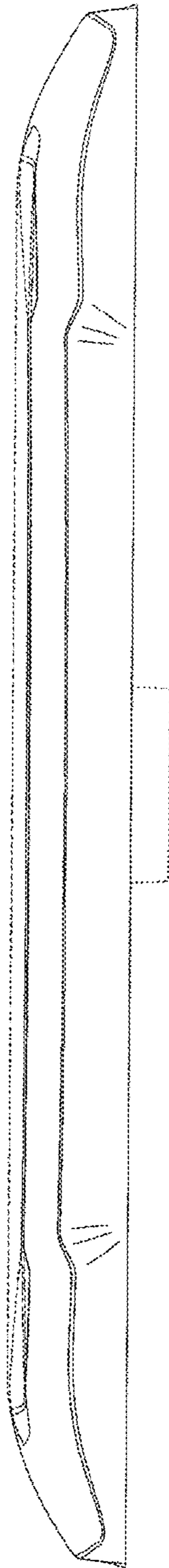


Fig. 3

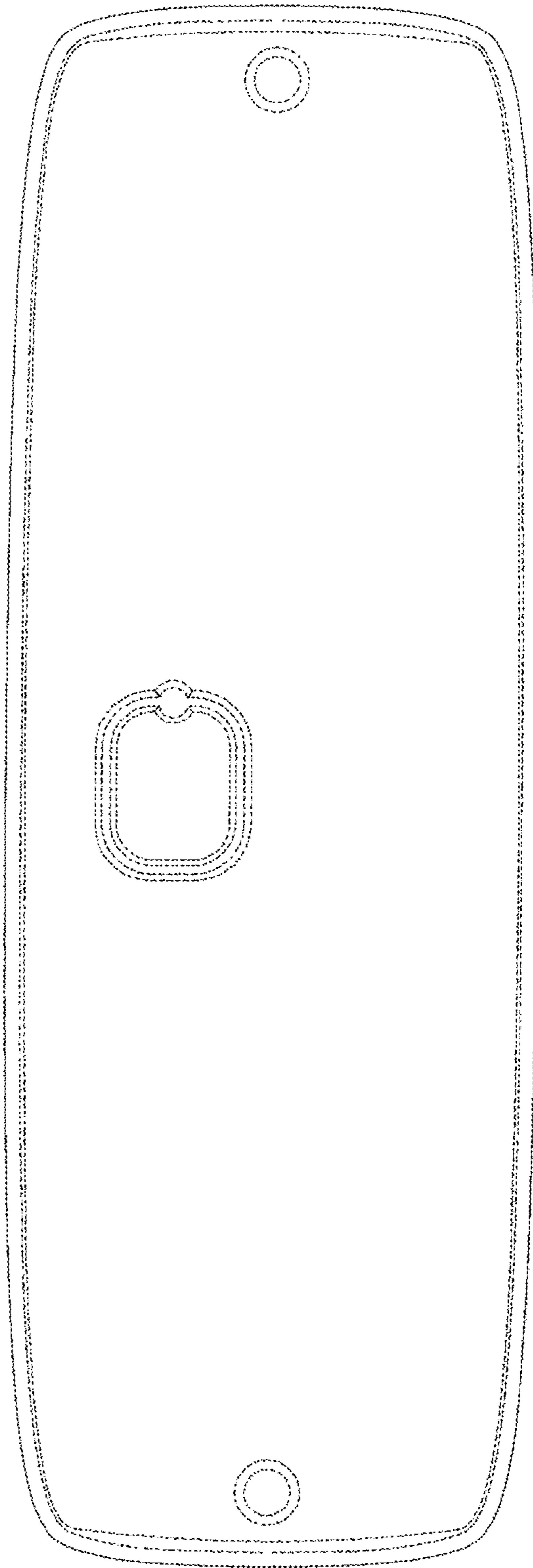


Fig. 4

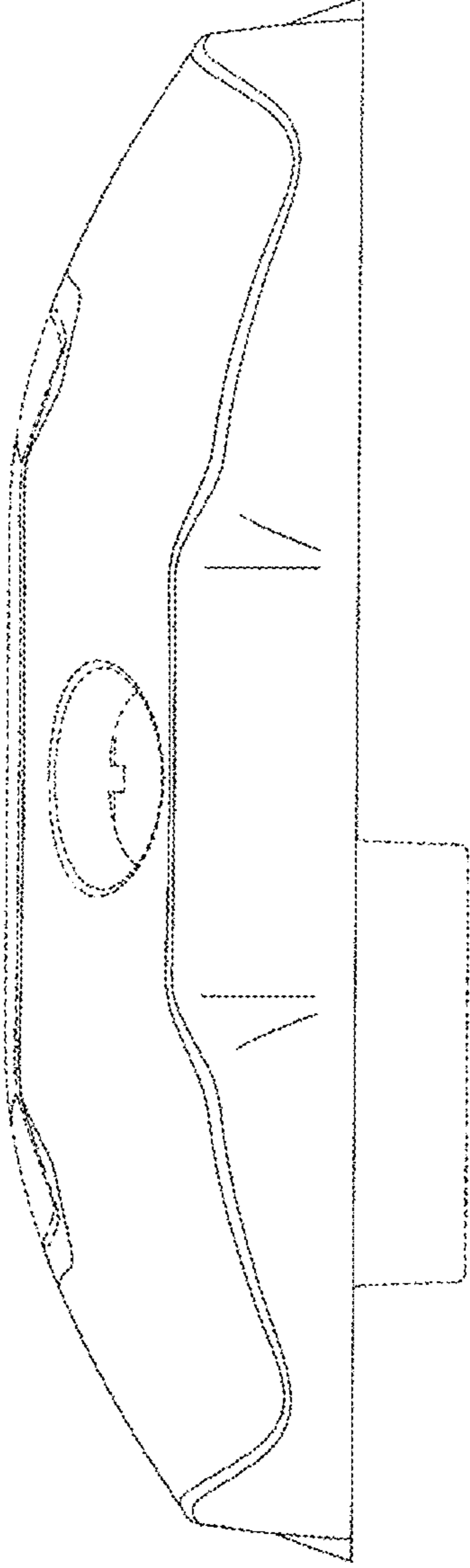


Fig. 5

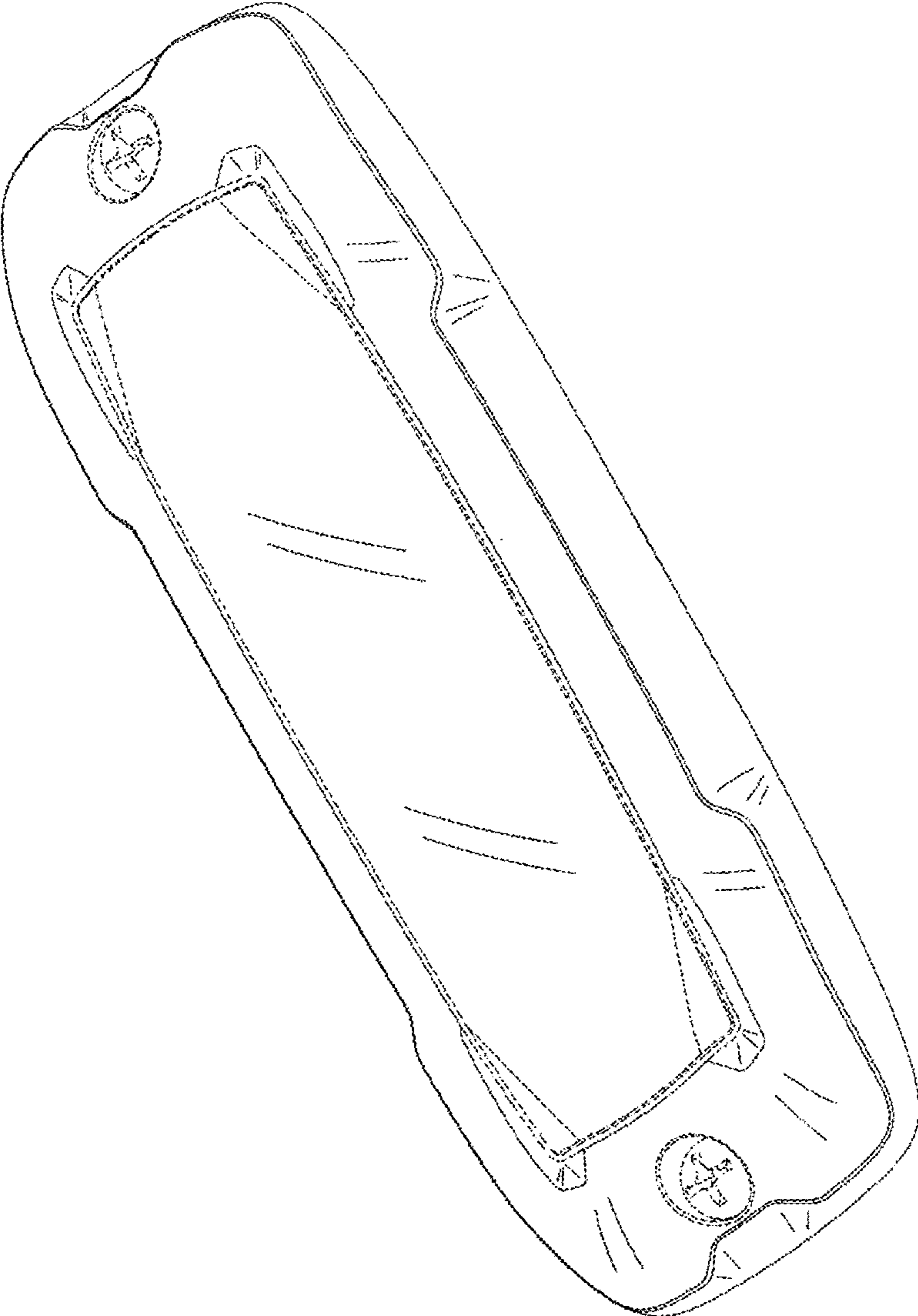


Fig. 6

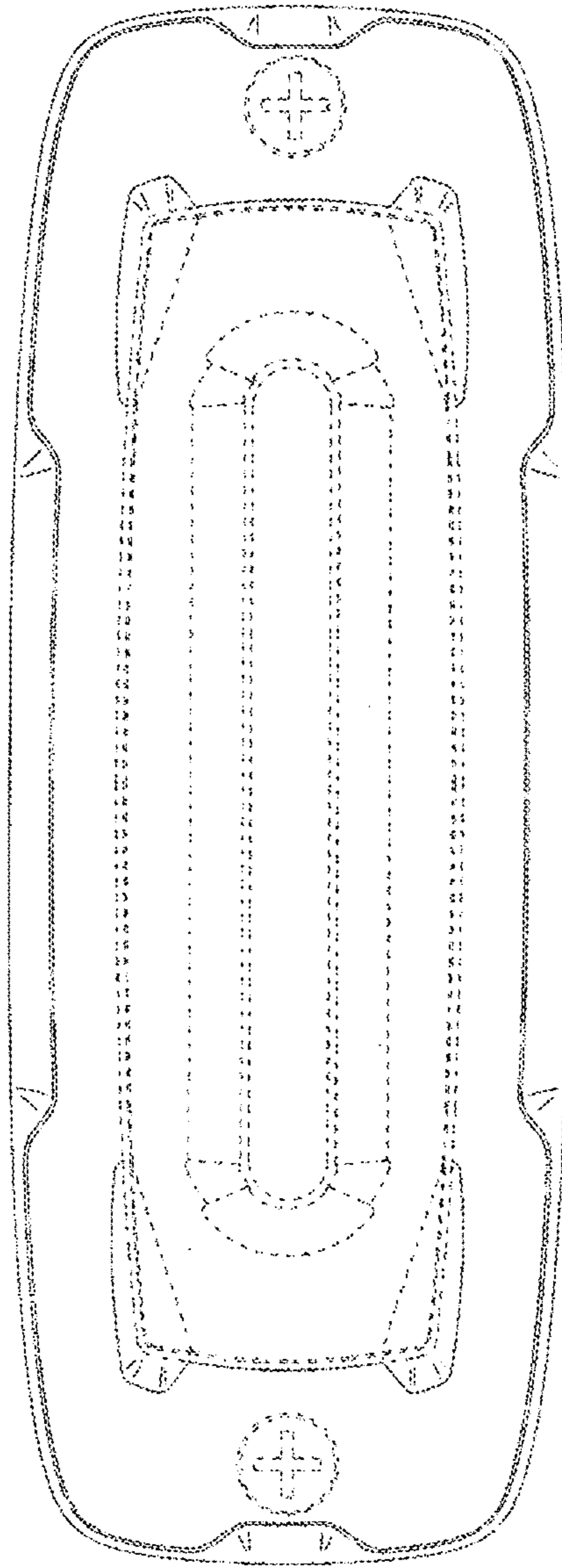


Fig. 7



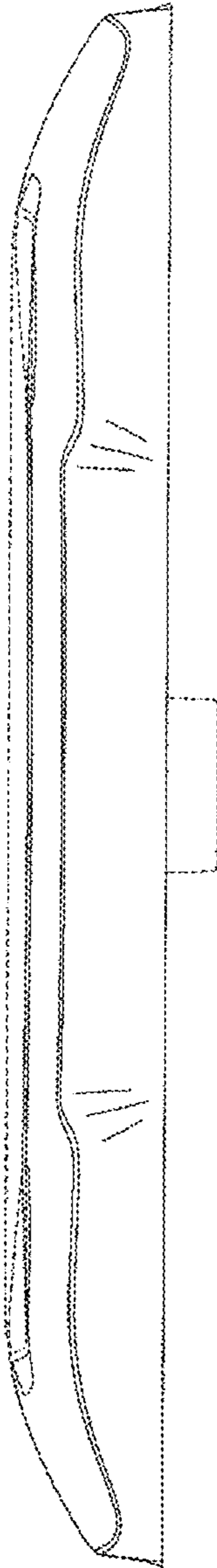


Fig. 8

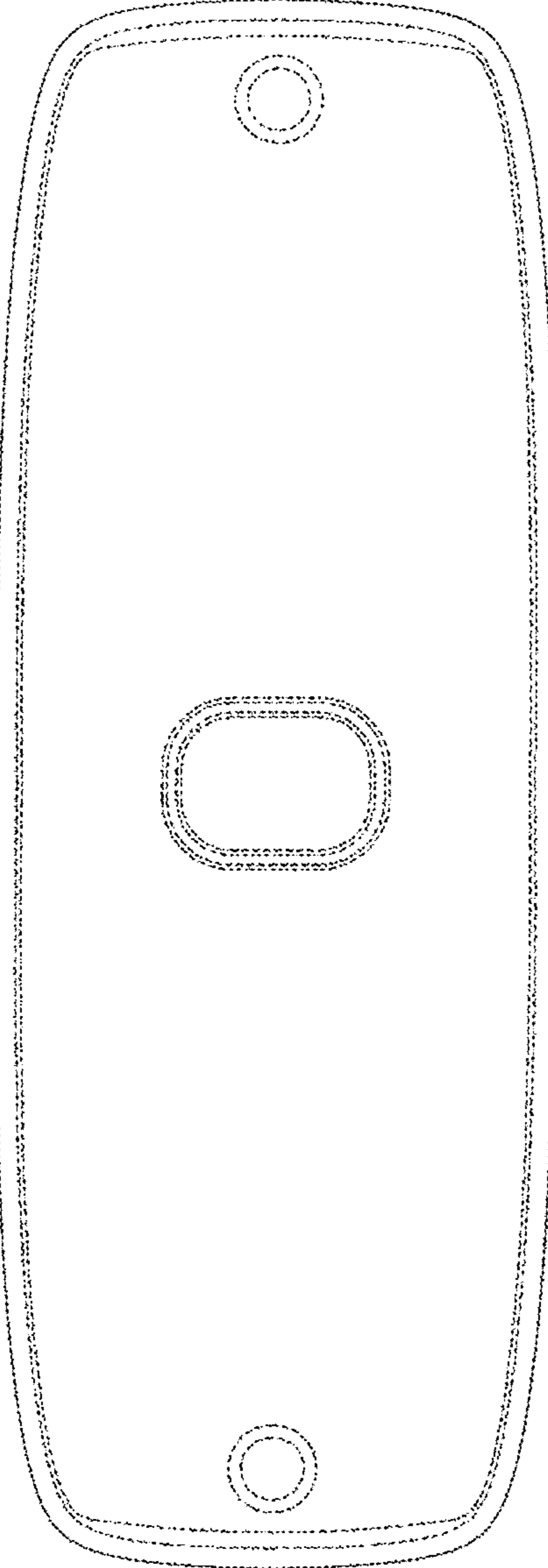


Fig. 9

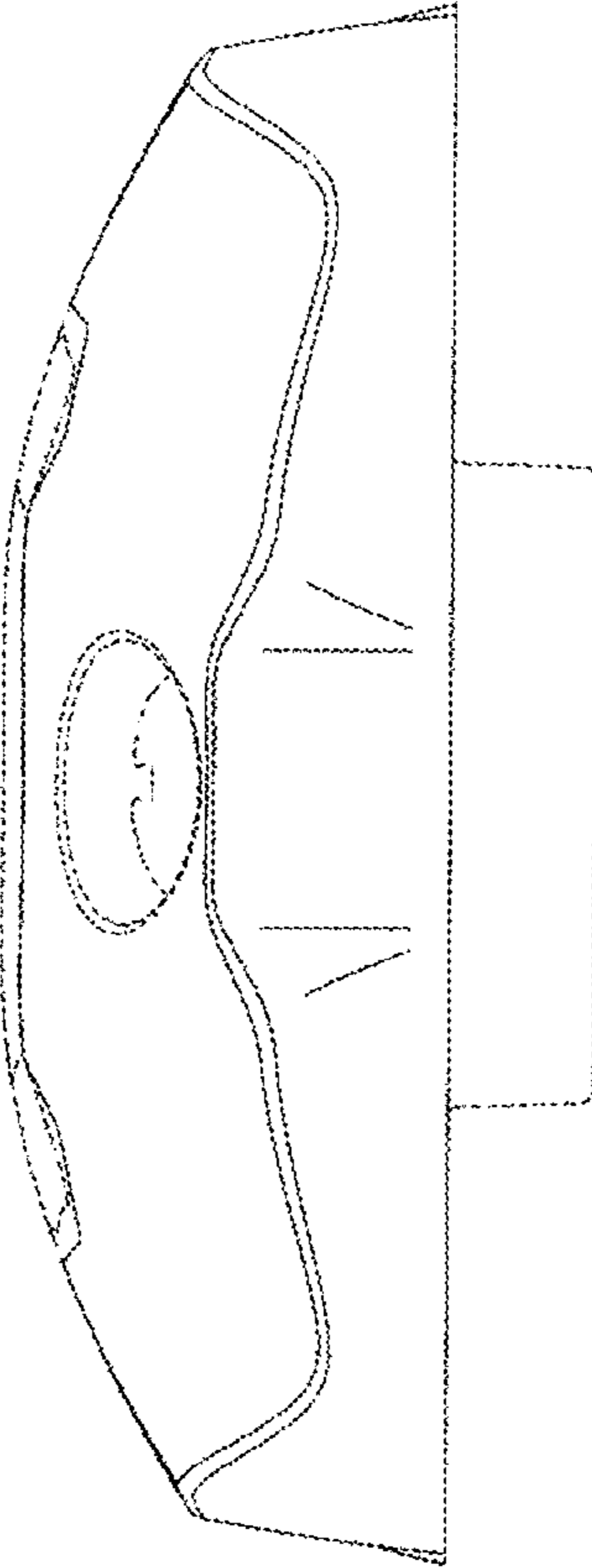


Fig. 10