

US00D766474S

(12) **United States Design Patent** (10) **Patent No.:** **US D766,474 S**
Holgate et al. (45) **Date of Patent:** **** Sep. 13, 2016**

(54) **TAILLIGHT FOR AN AUTOMOBILE**

RE34,907 E 4/1995 Gross
5,403,048 A 4/1995 Ekladyous et al.
5,478,127 A 12/1995 Chase

(71) Applicant: **Aston Martin Lagonda Limited**,
Warwickshire (GB)

(Continued)

(72) Inventors: **Sam Holgate**, Warwickshire (GB);
Miles Nurnberger, Warwickshire (GB)

FOREIGN PATENT DOCUMENTS

DE 2727517 A1 12/1978
DE 4321969 A1 2/1994

(73) Assignee: **ASTON MARTIN LAGONDA LIMITED**, Gaydon (GB)

(Continued)

(**) Term: **14 Years**

OTHER PUBLICATIONS

(21) Appl. No.: **29/521,657**

Aston Martin 2013, "Aston Martin Centenary Celebration Programme," 2013; 204 pages.
Aston Martin IDBS Brochure; Website[online]: <http://www.auto-brochures.com>, Jan. 27, 2012 [retrieved on Oct. 22 2013]. Retrieved from the internet: <URL: http://www.auto-brochures.com/makes/Aston_Martin/dbs/Aston%20Martin_int%20DBS_1.pdf>; 62 pages.

(22) Filed: **Mar. 25, 2015**

(30) **Foreign Application Priority Data**

(Continued)

Sep. 26, 2014 (EM) 001423735-0002
Sep. 26, 2014 (EM) 002546507-0001
Sep. 26, 2014 (EM) 002546507-0002
Oct. 7, 2014 (EM) 002552828-0001

Primary Examiner — Marcus Jackson
(74) *Attorney, Agent, or Firm* — Dorsey & Whitney LLP

(51) **LOC (10) Cl.** **26-06**

(57) **CLAIM**

(52) **U.S. Cl.**
USPC **D26/28**

The ornamental design for an taillight for an automobile, as shown and described.

(58) **Field of Classification Search**

DESCRIPTION

USPC D26/28-36; 362/61, 80-83, 267-269,
362/459-468, 475-478, 485-487
CPC F21S 48/00; F21S 48/10; F21S 48/115;
F21S 48/225; F21S 48/1233; F21S 48/1266;
F21S 48/1388; F21S 48/2268; F21V 21/04;
B60Q 1/26; B60Q 1/32; B60Q 3/044; B60Q
1/34; B60Q 1/50

FIG. 1 is a front perspective view of an automobile or representation thereof incorporating an taillight for an automobile showing the claimed design;
FIG. 2 is a rear perspective view thereof;
FIG. 3 is a left side elevation view thereof;
FIG. 4 is a right side elevation view thereof;
FIG. 5 is a front elevation view thereof;
FIG. 6 is a rear elevation view thereof;
FIG. 7 is a top plan view thereof;
FIG. 8 is a bottom plan view thereof; and,
FIG. 9 is an enlarged rear elevation view thereof.

See application file for complete search history.

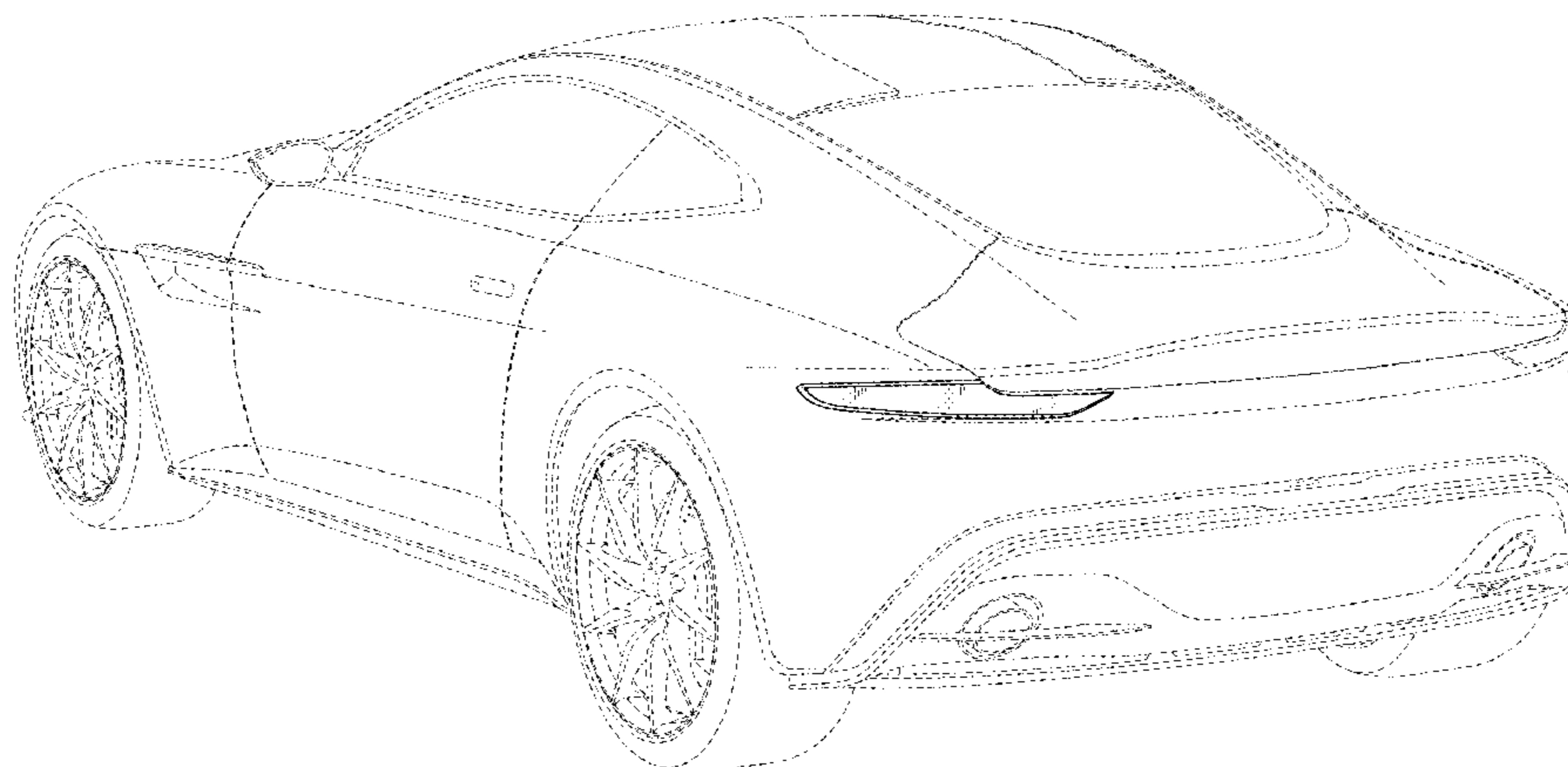
The broken line showing of the automobile or representation thereof represents an environment for the taillight for an automobile and forms no part of the claimed design.

(56) **References Cited**

U.S. PATENT DOCUMENTS

4,917,203 A 4/1990 Sacco
4,944,540 A 7/1990 Mansoor
D334,977 S 4/1993 Avari
5,205,597 A 4/1993 Chase

1 Claim, 8 Drawing Sheets



(56)

References Cited

U.S. PATENT DOCUMENTS

5,482,336 A 1/1996 Rouse et al.
 5,503,444 A 4/1996 Rouse et al.
 D395,027 S 6/1998 Wittine
 5,880,394 A 3/1999 Kim
 D415,081 S 10/1999 Wittine
 D431,505 S 10/2000 Kitamura et al.
 6,206,438 B1 3/2001 Pueyo
 D447,983 S 9/2001 Stoddard et al.
 D456,313 S 4/2002 Walling et al.
 6,405,819 B1 6/2002 Ohkura et al.
 D475,662 S 6/2003 Koizumi et al.
 6,702,343 B1 3/2004 Stull
 6,921,117 B2 7/2005 Rackham et al.
 D510,302 S 10/2005 Sugimoto
 D538,956 S * 3/2007 Ishii D26/28
 D544,614 S * 6/2007 Markefka D26/28
 D549,363 S * 8/2007 Pfeiffer D26/28
 D552,769 S * 10/2007 Leclercq D26/28
 D553,268 S * 10/2007 Pfeiffer D26/28
 D553,269 S * 10/2007 Pfeiffer D26/28
 D553,544 S 10/2007 Rothman et al.
 D557,184 S 12/2007 Janik
 D557,641 S 12/2007 Davidson
 D573,510 S 7/2008 Pininfarina
 D584,198 S 1/2009 Tamura
 D584,998 S 1/2009 Lamm et al.
 D585,340 S 1/2009 Sinkwitz
 D589,405 S 3/2009 Corradi
 D589,853 S 4/2009 Saridakis et al.
 D592,564 S 5/2009 Kusamoto et al.
 D603,755 S 11/2009 Peters
 D620,396 S 7/2010 Reichman et al.
 D626,465 S 11/2010 Thomas et al.
 D628,942 S 12/2010 Kim
 D629,718 S 12/2010 Reichman et al.
 D629,719 S 12/2010 Reichman et al.
 D629,725 S 12/2010 Reichman et al.
 D630,140 S 1/2011 Reichman et al.
 D635,065 S 3/2011 Seo
 D651,142 S 12/2011 Fushimi
 D664,475 S 7/2012 Takahashi
 D665,313 S 8/2012 Asakura
 D668,590 S 10/2012 Furst et al.
 D670,203 S 11/2012 Weil
 D670,620 S 11/2012 Frei et al.
 D671,457 S 11/2012 Goto et al.
 D687,348 S 8/2013 Nurnberger
 D687,740 S 8/2013 Yamanaka et al.
 D691,517 S 10/2013 Kwon et al.
 D692,348 S 10/2013 Whelan
 D692,350 S 10/2013 Toriyama et al.
 D696,978 S 1/2014 Perini
 D701,147 S 3/2014 Saracoglu
 D704,101 S 5/2014 Beaven
 D704,102 S 5/2014 Nurnberger
 D704,601 S 5/2014 Nurnberger
 D716,700 S 11/2014 Matsumoto et al.
 D718,665 S 12/2014 Menegon
 D718,667 S 12/2014 Manzoni
 D719,878 S 12/2014 Webber
 D722,535 S 2/2015 Baudy
 D724,495 S 3/2015 Majdandzic
 2002/0093220 A1 7/2002 Borghi et al.
 2005/0248184 A1 11/2005 Piffaretti

FOREIGN PATENT DOCUMENTS

EM 000212923-0001 A1 10/2004
 EM 000212923-0002 A1 10/2004
 EM 001067839-0001 1/2009
 EM 001650052-0001 12/2009
 EM 001674631-0001 2/2010

EM 001674631-0002 2/2010
 EM 001674631-0003 2/2010
 EM 001674631-0005 2/2010
 EM 001999848-0001 2/2012
 EM 001999848-0003 2/2012
 EM 002033621-0001 4/2012
 EM 002033621-0003 4/2012
 EM 002033621-0005 4/2012
 EM 002033621-0006 4/2012
 EM 002047977-0002 5/2012
 EM 002171488-0001 1/2013
 EP 896892 A1 2/1999
 EP 906863 A2 4/1999
 EP 2476603 A2 7/2012
 GB 2327912 A 2/1999
 GB 3013456 7/2003
 GB 2396881 A 7/2004
 GB 3024223 4/2006
 JP D1400694 10/2010
 JP D1444677 5/2012
 WO 02/12028 2/2002

OTHER PUBLICATIONS

Aston Martin DB9 Brochure; Website[online]: <http://www.auto-brochures.com>, Jan. 27, 2012 [retrieved on Oct. 22, 2013]. Retrieved from the internet: <URL: http://www.auto-brochures.com/makes/Aston_Martin/db9/Aston%20Martin_int%20DB9_1.pdf>; 41 pages.
 2008 Aston Martin DB9 Grill & Front View Photo. Website[online]: <http://www.motortrend.com>, Jun. 12, 2008 [retrieved on Oct. 22, 2013]. Retrieved from the internet: <URL: http://www.motortrend.com/cars/2008/aston_martin/db9/photos/exterior/grill_front_view.html>; 1 page.
 European Patent Office; PCT International Search Report mailed Nov. 21, 2001; PCT/GB01/03563; 3 pages.
 European Patent Office; PCT International Preliminary Examination Report mailed Dec. 5, 2002; PCT/GB01/03563; 11 pages.
 European Patent Office; PCT Written Opinion mailed Mar. 6, 2002; PCT/GB01/03563; 5 pages.
 European Patent Office; PCT Written Opinion mailed Aug. 21, 2002; PCT/GB01/03563; 5 pages.
 2003 Aston Martin DB7 Vantage, [online], [site visited Jan. 3, 2014], Available from Internet, <URL: <http://www.conceptcarz.com/view/photo/291097,6877/2003-Aston-Martin-DB7-Vantage.aspx>>, 2 pages.
 2014 Aston Martin Rapide S, announced Dec. 30, 2013, [online], [site visited Jan. 3, 2014], Available from Internet, <URL: <http://www.astonmartin.com/en-us/cars/rapide-s>>, 35 pages.
 2011 Aston Martin Rapide, [online article Feb. 4, 2010, [site visited Jan. 3, 2014], Available from Internet, <URL: http://www.roadandtrack.com/car-reviews/first-drives/photos-2011-aston-martin-rapide?click=main_sr#slide-1>, 6 pages.
 1976 and 1987 Aston Martin Lagonda, [online], [site visited Jul. 24, 2014], Available from Internet, <URL: <http://www.astonmartin.com/heritage/past-models/lagonda>>, 2 pages.
 Vijayenthiran, Viknesh. "Aston Martin Builds and Sells Two CC100 Speedsters: Report." Motor Authority., Jul. 26, 2013 [online], [retrieved on Sep. 5, 2014]. Retrieved from the Internet <URL: http://www.motorauthority.com/news/1085797_aston-martin-builds-and-sells-two-cc100-speedsters-report>.
 Carrion, Annette. "2014 Aston Martin Vanquish Volante Neiman Marcus . . ." European Car Web., Jun. 22, 2010 [online], [retrieved on Sep. 5, 2014]. Retrieved from the Internet <URL: http://www.europecarweb.com/news/1311_2014_aston_martin_vanquish_volante_neiman_marcus_edition/photo_06.html>.
 "2011 Aston Martin One-77," Electronic Brochure., Jun. 22, 2010 [online], [retrieved on Sep. 5, 2014]. Retrieved from the Internet <URL: http://www.auto-brochures.com/makes/Aston_Martin/one-77/Aston%20Martin_int%20one-77.pdf>.
 U.S. Appl. No. 29/521,651, filed Mar. 25, 2015.
 U.S. Appl. No. 29/521,666, filed Mar. 25, 2015.

* cited by examiner

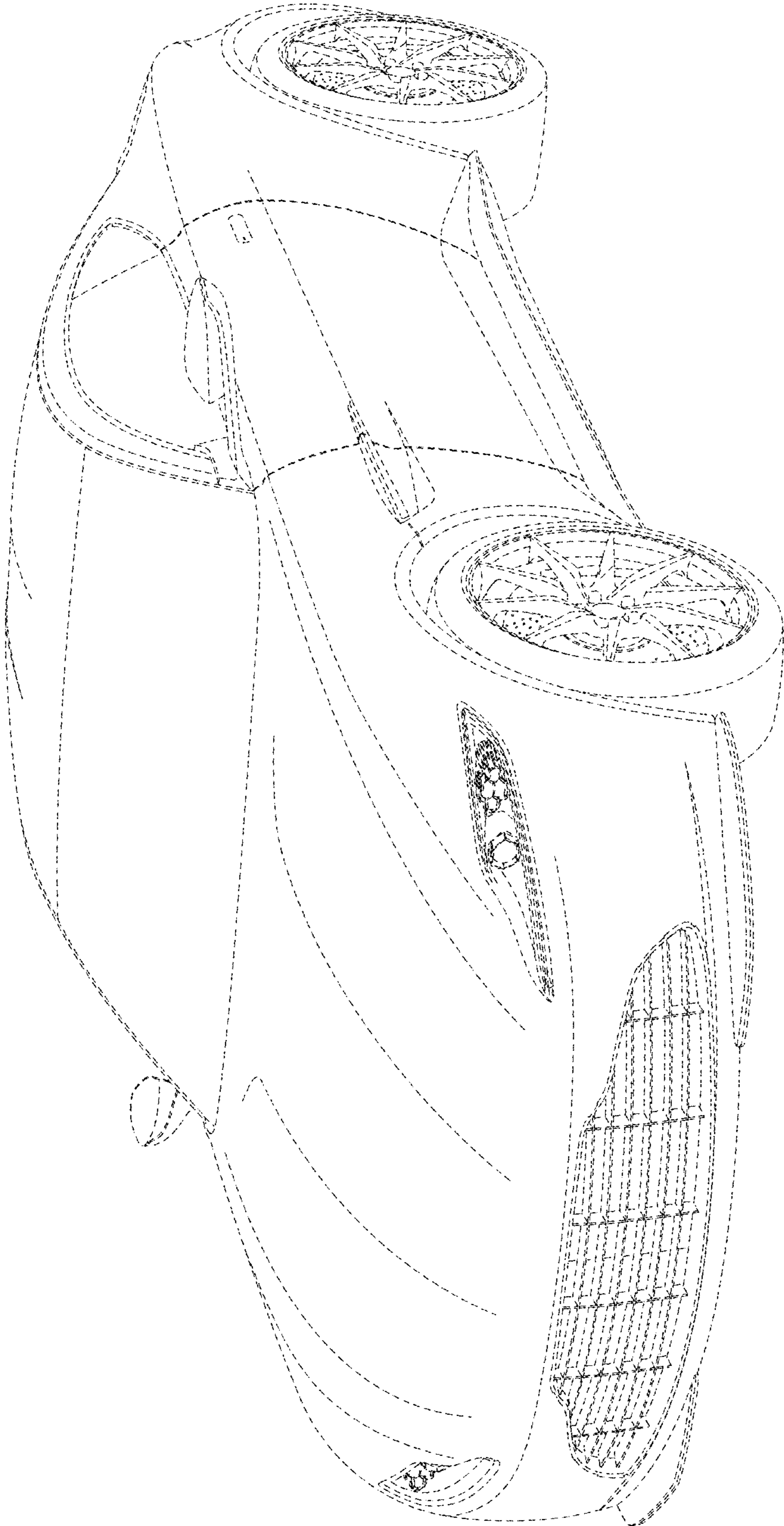


FIG. 1

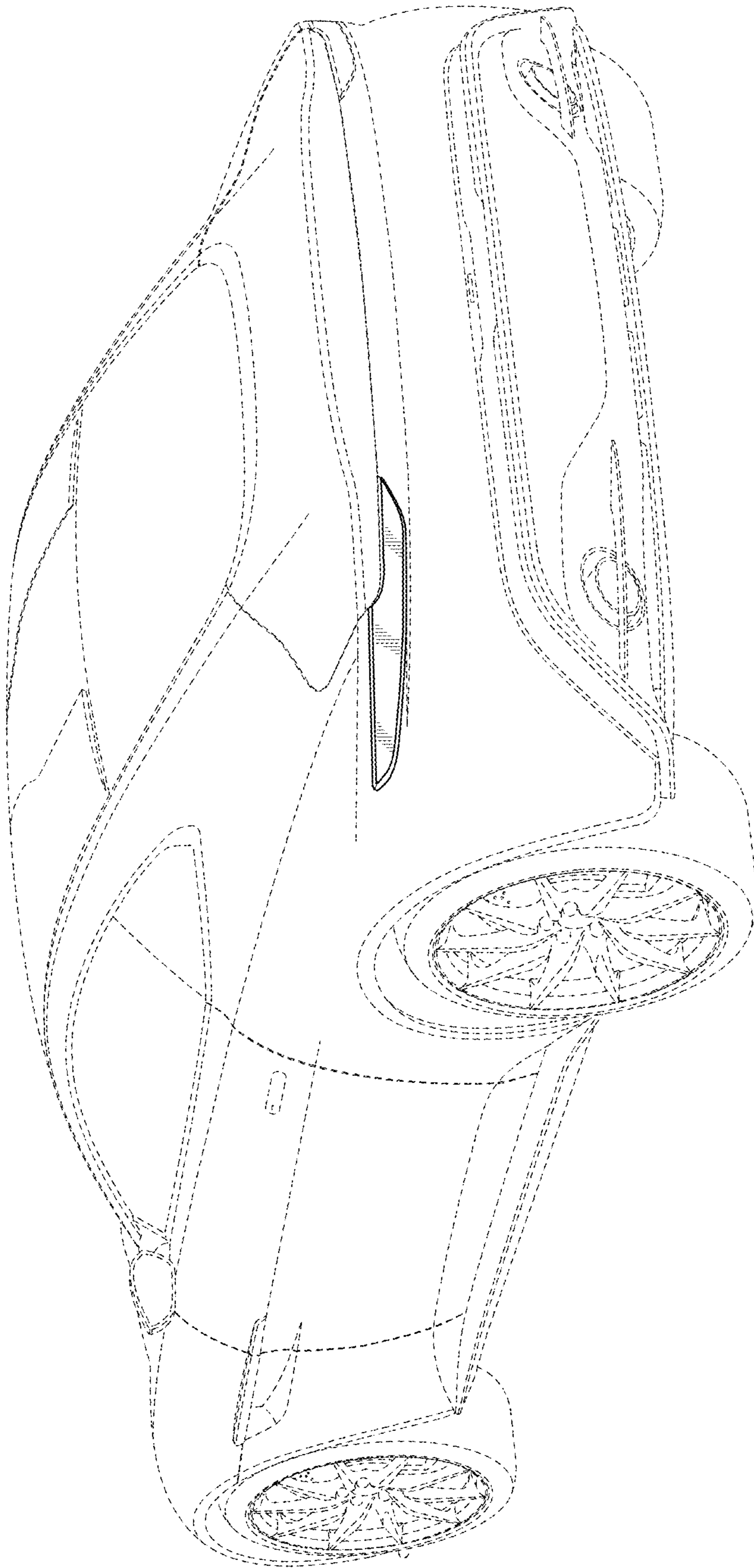


FIG. 2

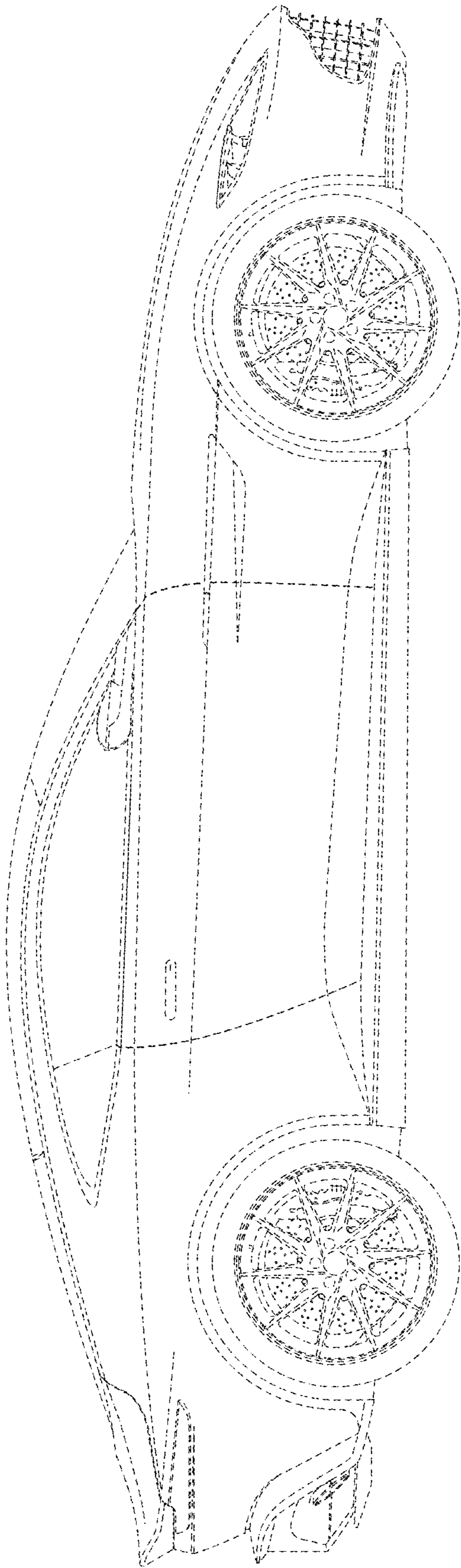


FIG. 3

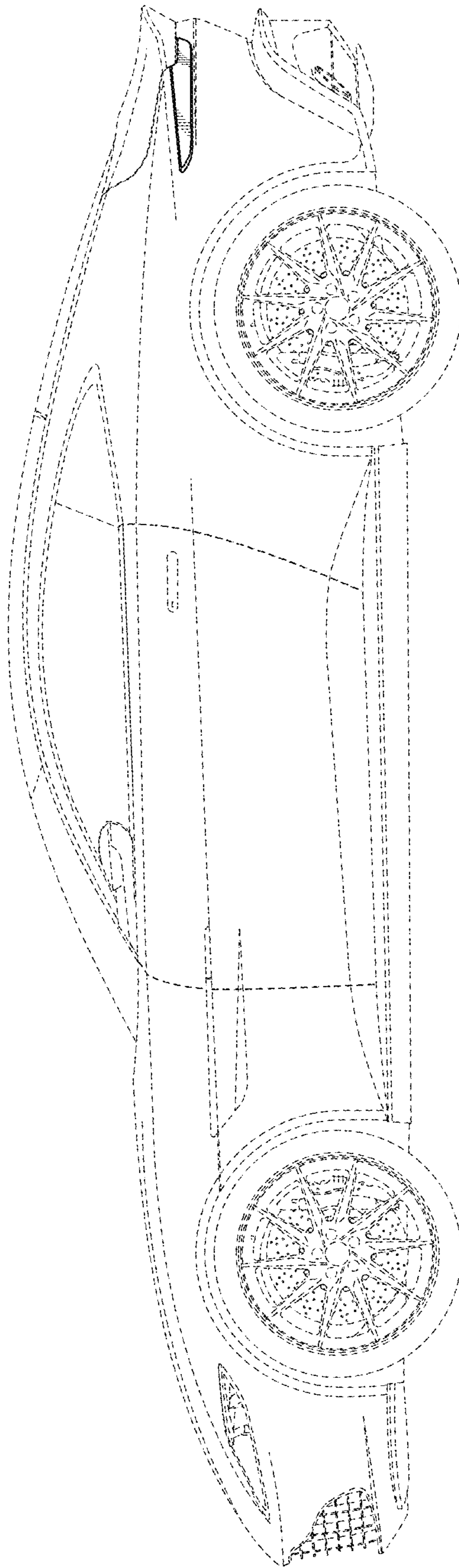


FIG. 4

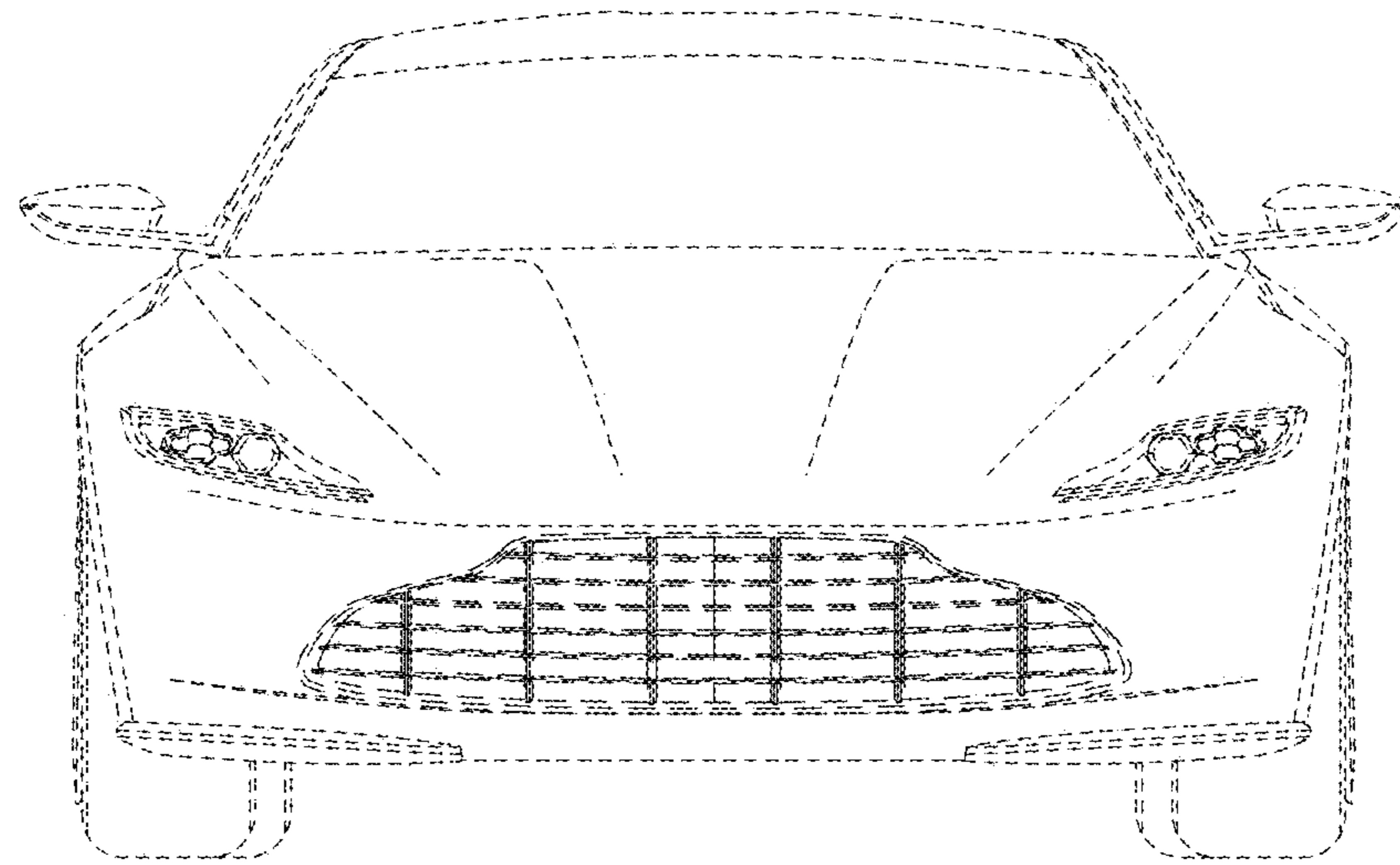


FIG. 5

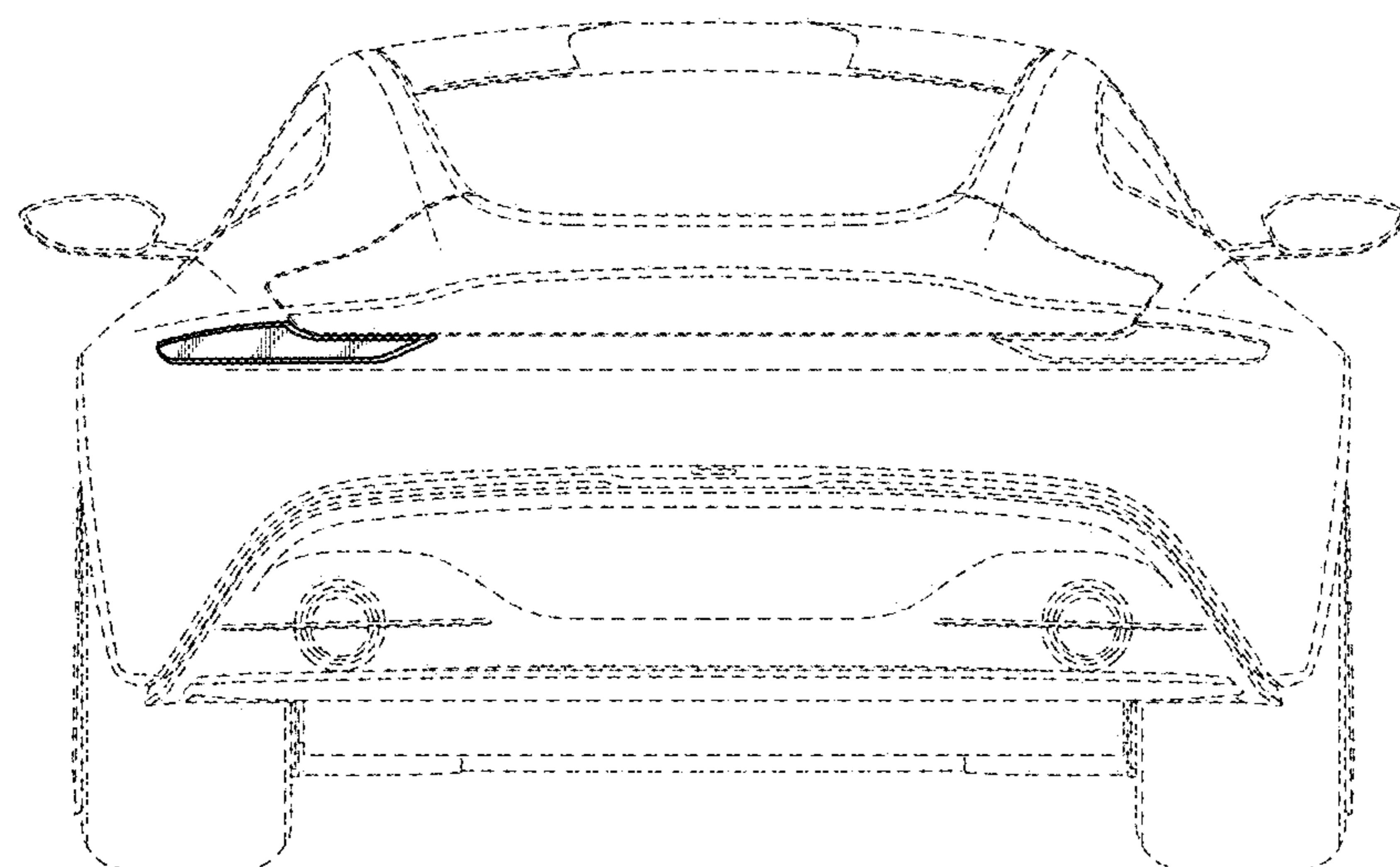


FIG. 6

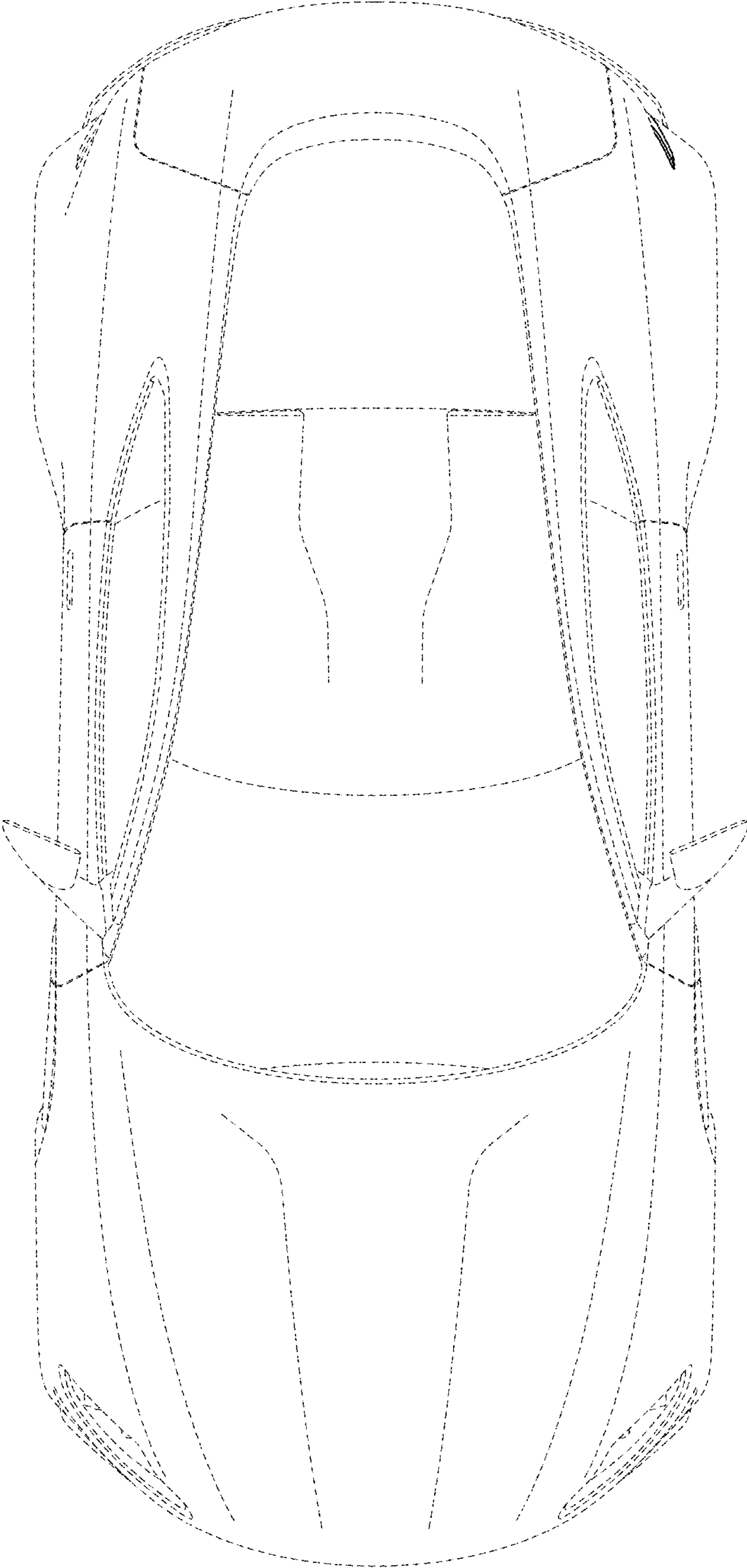


FIG. 7

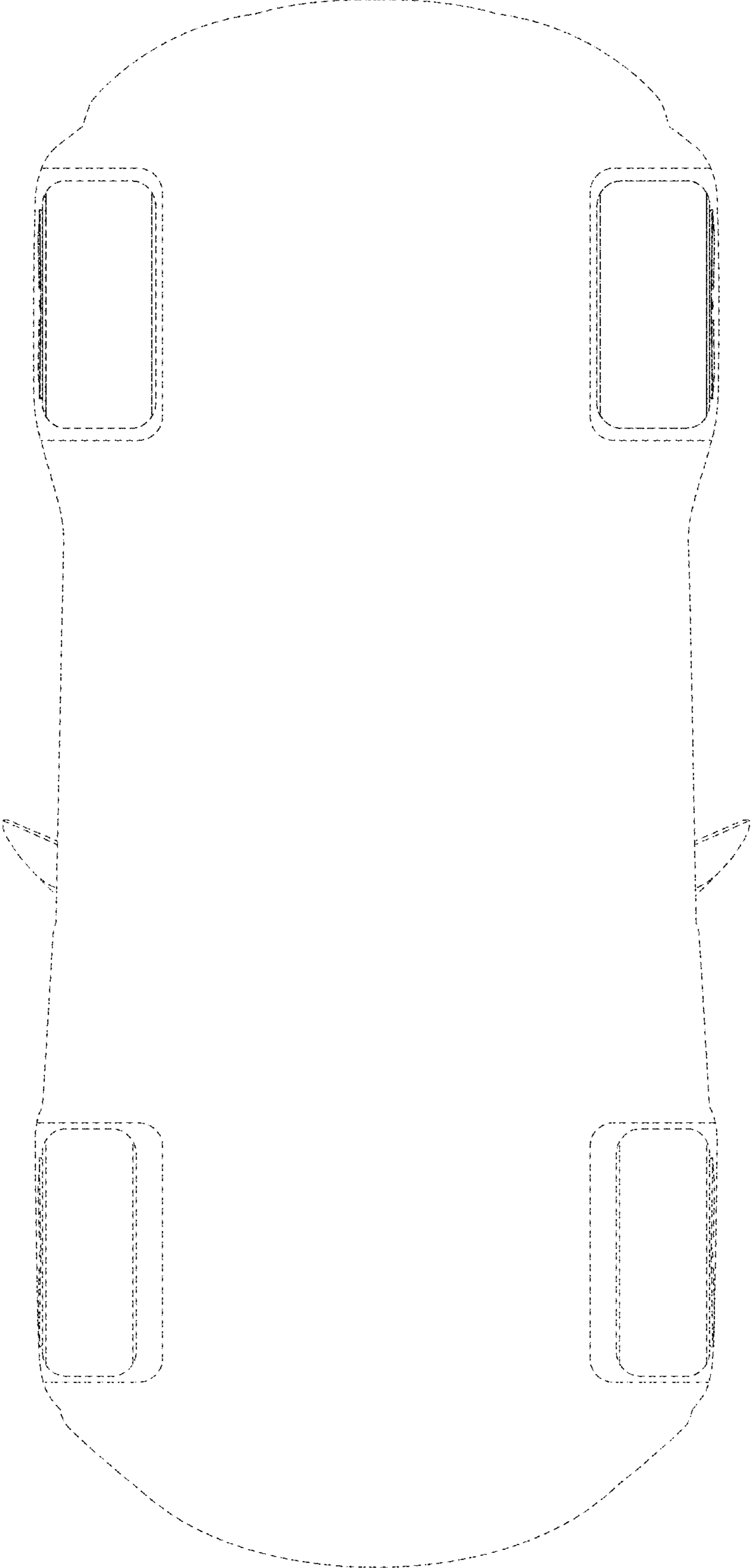


FIG. 8

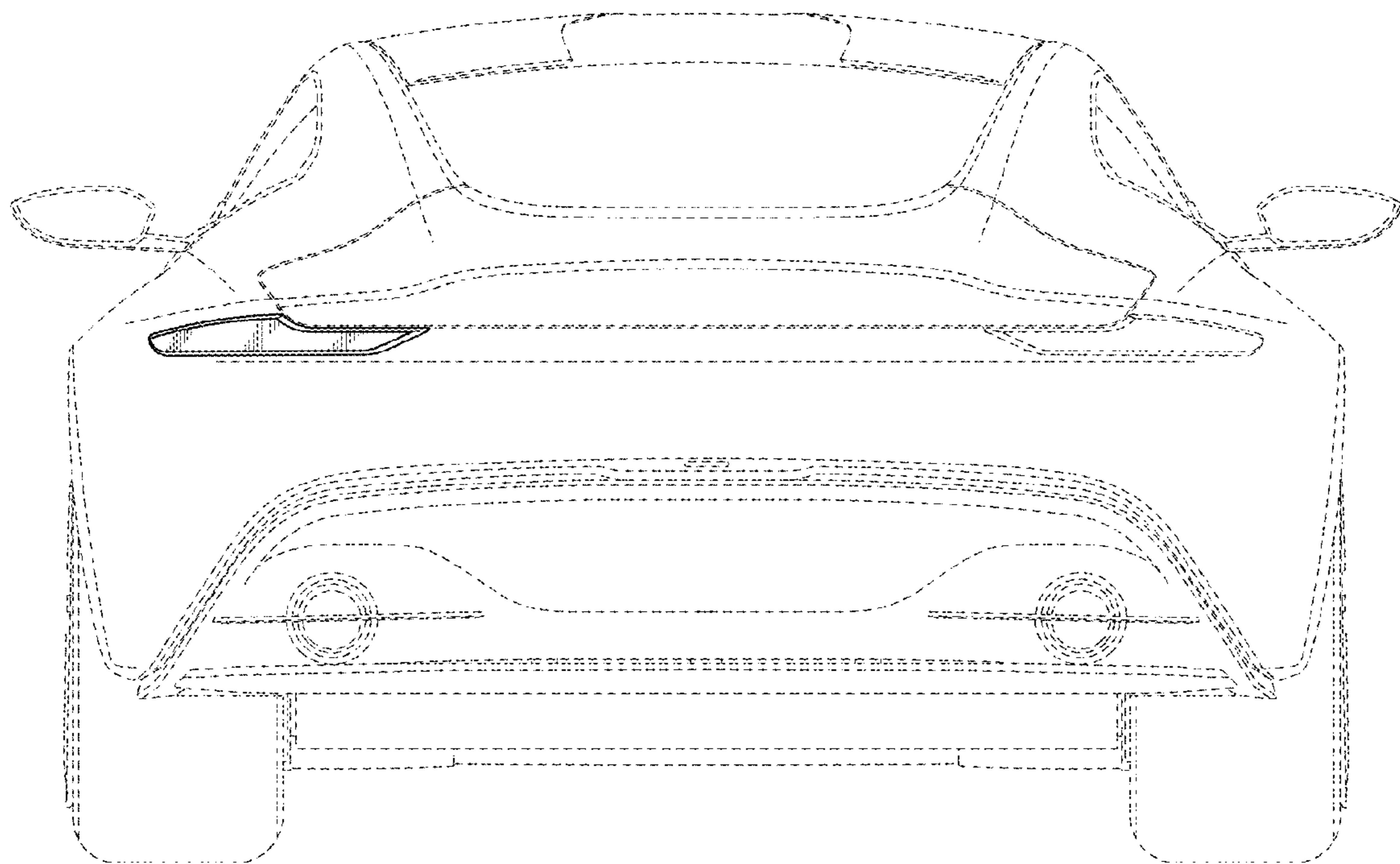


FIG. 9