



US00D766473S

(12) **United States Design Patent** (10) **Patent No.:** **US D766,473 S**
Riedel et al. (45) **Date of Patent:** **** Sep. 13, 2016**

(54) **VEHICLE LIGHT** D561,359 S * 2/2008 Hsu D26/28
D601,727 S 10/2009 Huang
(71) Applicant: **ARB Corporation Limited**, Kilsyth, VIC (AU) D605,789 S 12/2009 Ko
D626,670 S 11/2010 Metzger et al.
D657,081 S 4/2012 Alisauskas et al.
(72) Inventors: **Desmond T. Riedel**, Phoenix, AZ (US); D670,839 S 11/2012 Smarslik
Johnathan J. Heiner, Mesa, AZ (US) D694,920 S 12/2013 Jurgens et al.
D712,077 S 8/2014 Leban et al.

(73) Assignee: **ARB CORPORATION LIMITED**, Kilsyth (AU) * cited by examiner

(**) Term: **14 Years** *Primary Examiner* — Marcus Jackson
(21) Appl. No.: **29/504,693** (74) *Attorney, Agent, or Firm* — Davis Wright Tremaine LLP; Heather M. Colburn

(22) Filed: **Oct. 8, 2014**

(30) **Foreign Application Priority Data**
May 21, 2014 (AU) 12486/2014
(51) **LOC (10) Cl.** **26-06**
(52) **U.S. Cl.**
USPC **D26/28**
(58) **Field of Classification Search**
USPC D26/28-36; 362/459-468, 475-478, 362/485-487
CPC F21S 48/00; F21S 48/10; F21S 48/115; F21S 48/225; F21S 48/1233; F21S 48/1266; F21S 48/1388; F21S 48/2268; F21V 21/04
See application file for complete search history.

(57) **CLAIM**
The ornamental design for a vehicle light, as shown and described.

(56) **References Cited**
U.S. PATENT DOCUMENTS
D550,380 S * 9/2007 Lin D26/28
D560,291 S * 1/2008 Koyama D26/28
D560,832 S * 1/2008 Hsu D26/28
D561,358 S * 2/2008 Tachibana D26/28

DESCRIPTION
FIG. 1 is an isometric view of a second embodiment of the vehicle light.
FIG. 2 is a front elevation thereof.
FIG. 3 is a side elevation thereof; and,
FIG. 4 is a back elevation thereof.
The broken lines represent portions of the vehicle light that form no part of the claim.

1 Claim, 4 Drawing Sheets

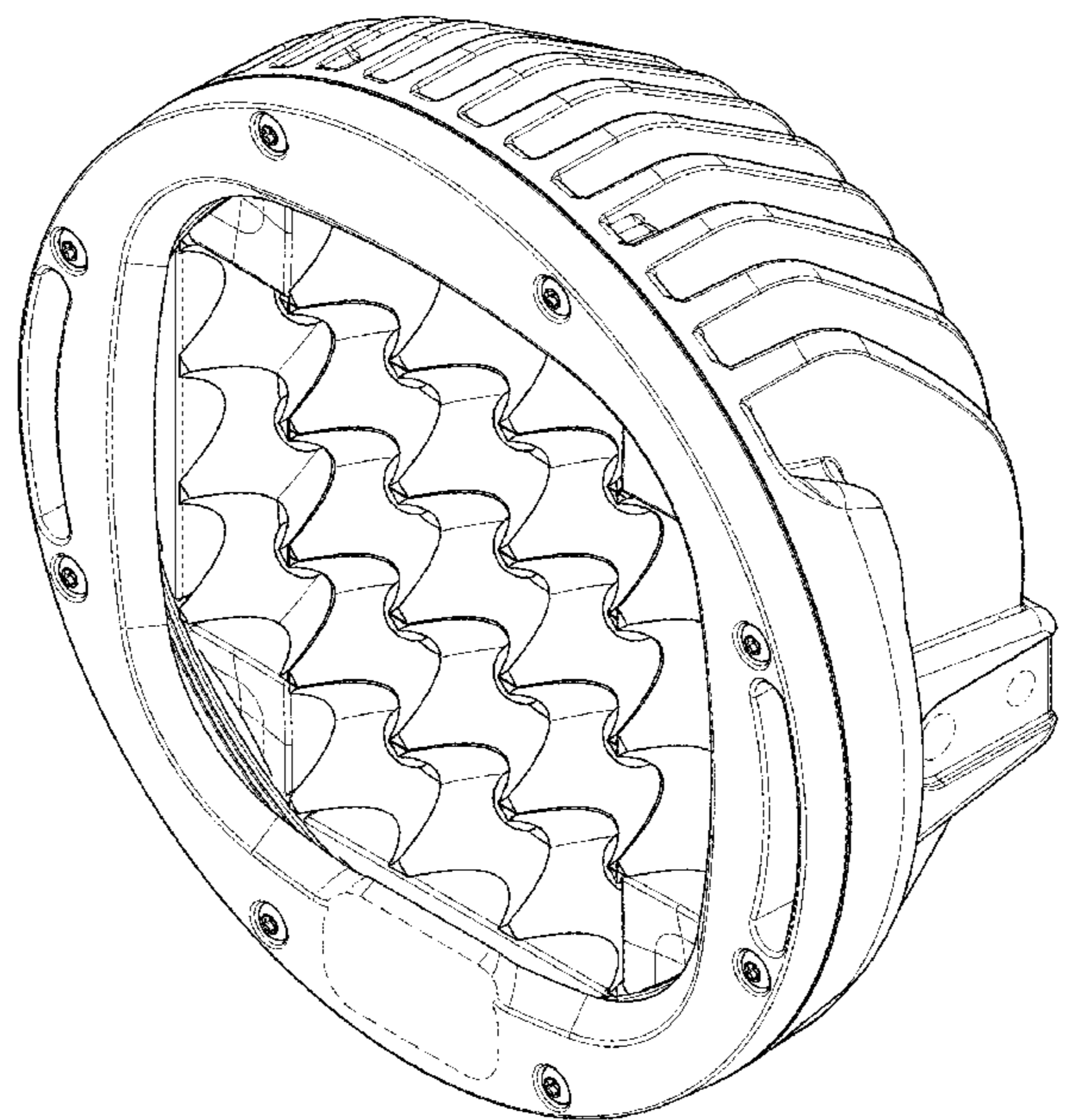


FIGURE 1

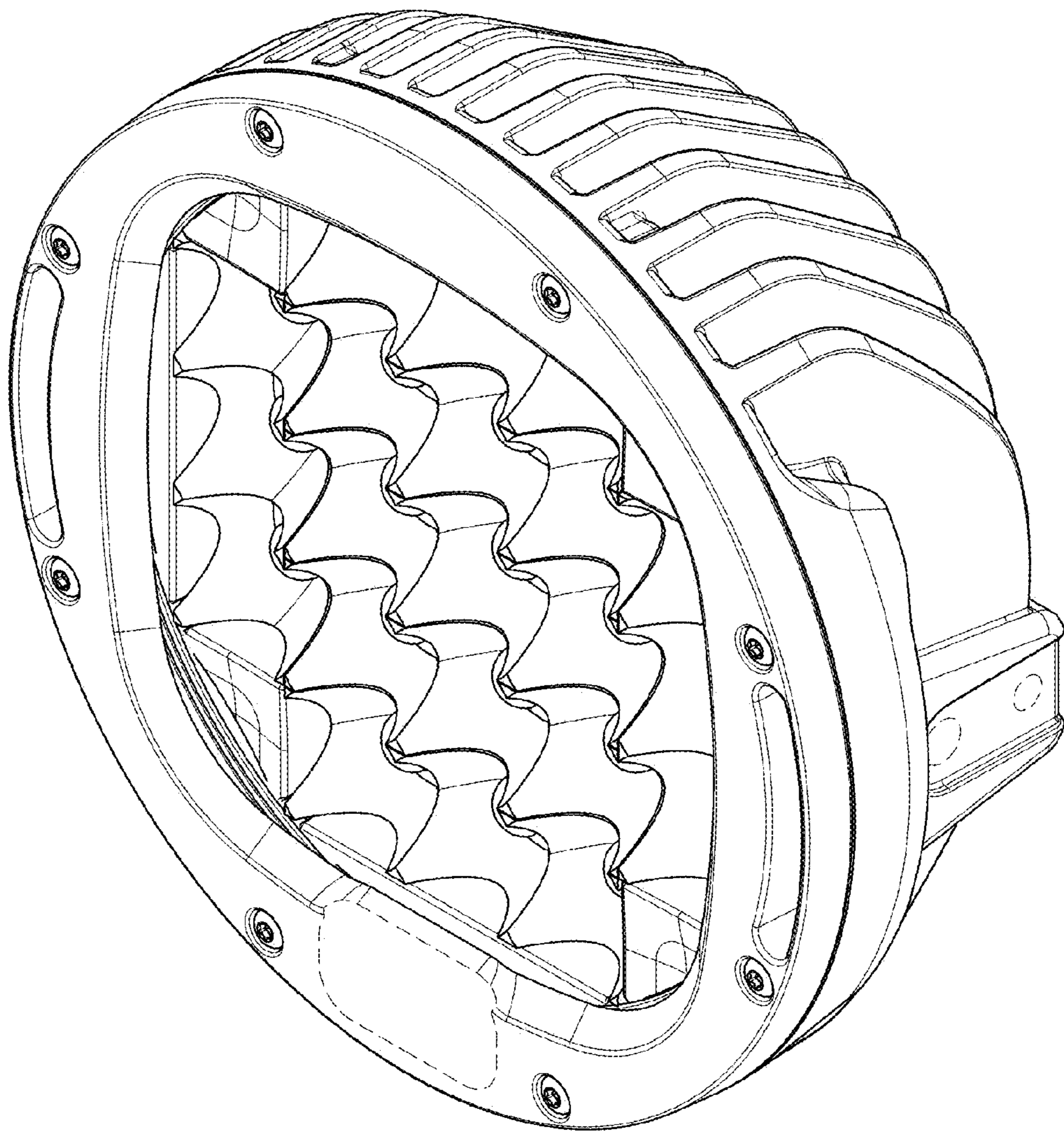


FIGURE 2

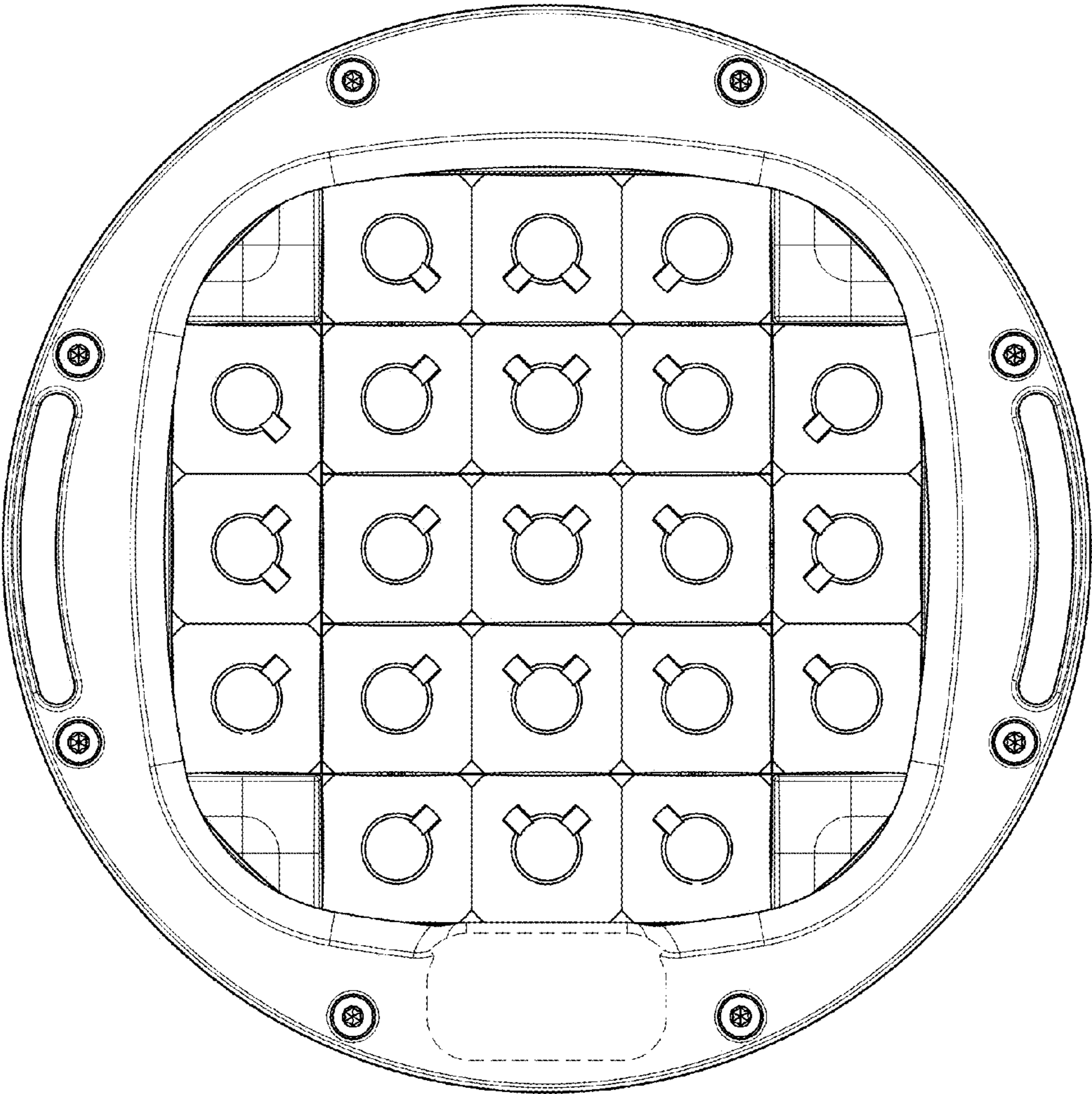


FIGURE 3

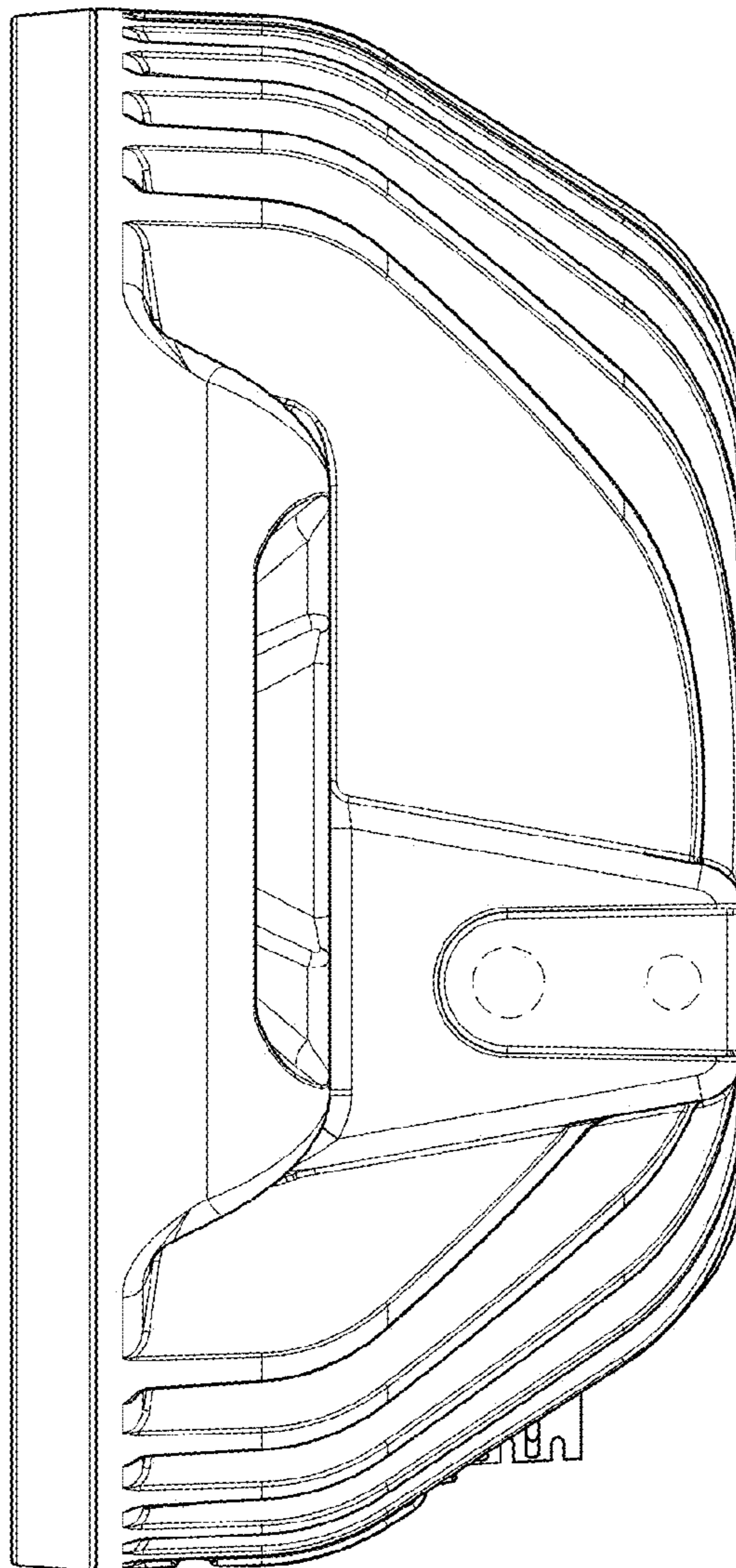


FIGURE 4

