



US00D766472S

(12) **United States Design Patent**
Ding et al.

(10) **Patent No.: US D766,472 S**

(45) **Date of Patent: ** Sep. 13, 2016**

(54) **LED LAMP**

(56) **References Cited**

(71) Applicant: **SENGLED OPTOELECTRONICS CO., LTD**, Tongxiang (CN)
(72) Inventors: **Gang Ding**, Tongxiang (CN); **Jinxiang Shen**, Tongxiang (CN)
(73) Assignee: **SENGLED OPTOELECTRONICS CO., LTD**, Tongxiang (CN)

U.S. PATENT DOCUMENTS

D433,167 S	*	10/2000	Yim	D26/2
D463,584 S	*	9/2002	Yim	D26/2
D535,038 S	*	1/2007	Egawa	D26/2
D601,278 S	*	9/2009	Takahashi	D26/2
D616,120 S	*	5/2010	Wada	D26/2
D646,809 S	*	10/2011	Shi	D26/2
D688,395 S	*	8/2013	Bukkems	D26/2

* cited by examiner

(**) Term: **14 Years**

Primary Examiner — Marcus Jackson

(21) Appl. No.: **29/523,273**

(74) *Attorney, Agent, or Firm* — Anova Law Group, PLLC

(22) Filed: **Apr. 8, 2015**

(57) **CLAIM**

The ornamental design for an LED lamp, as shown and described.

(30) **Foreign Application Priority Data**

DESCRIPTION

Nov. 3, 2014 (CN) 2014 3 0428263

(51) **LOC (10) Cl.** **26-04**

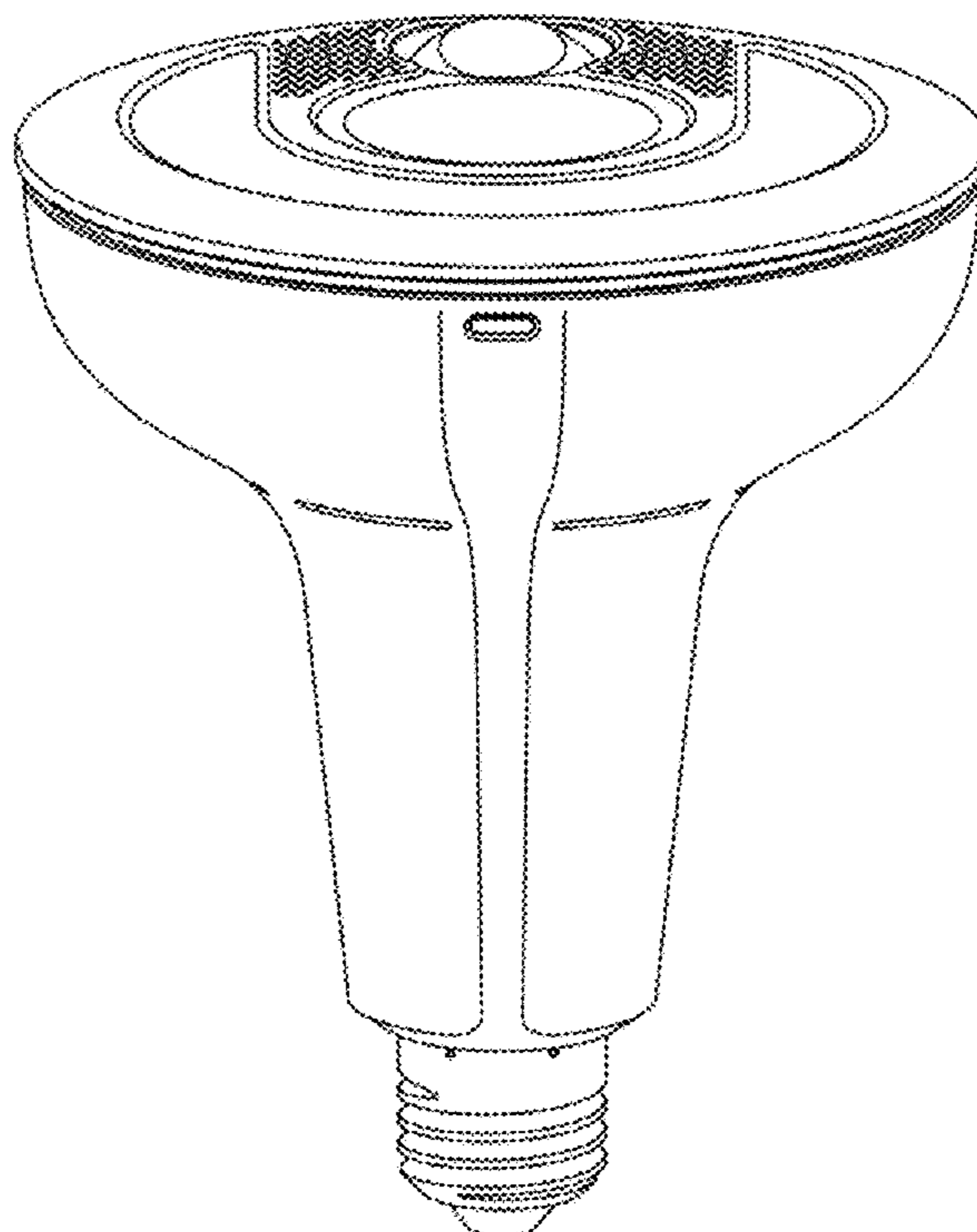
(52) **U.S. Cl.**
USPC **D26/2**

(58) **Field of Classification Search**
USPC D26/1-4; 313/313, 315, 316, 317, 318,
313/493; 315/52, 53, 56, 57, 58
CPC F21V 5/00; F21K 9/13; F21K 9/135;
F21K 9/1375; H01J 5/48; H01J 5/50; H01J
19/54

FIG. 1 is a perspective view of a LED lamp in accordance with the present invention;
FIG. 2 is a front view of the LED lamp shown in FIG. 1;
FIG. 3 is a back view of the LED lamp shown in FIG. 1;
FIG. 4 is a top view of the LED lamp shown in FIG. 1;
FIG. 5 is a bottom view of the LED lamp shown in FIG. 1;
FIG. 6 is a left side view of the LED lamp shown in FIG. 1;
and,
FIG. 7 is a right side view of the LED lamp shown in FIG. 1.

See application file for complete search history.

1 Claim, 7 Drawing Sheets



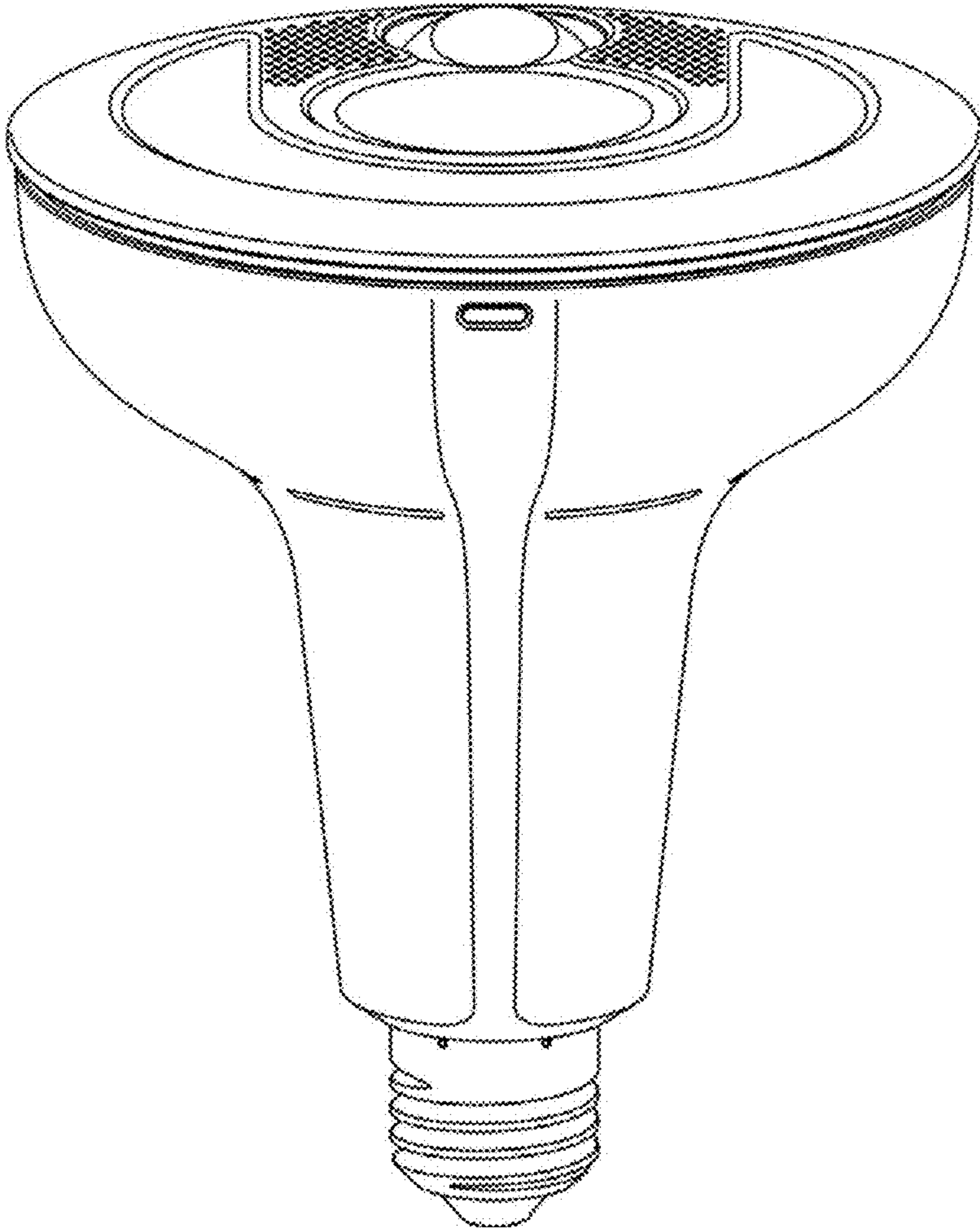


FIG. 1

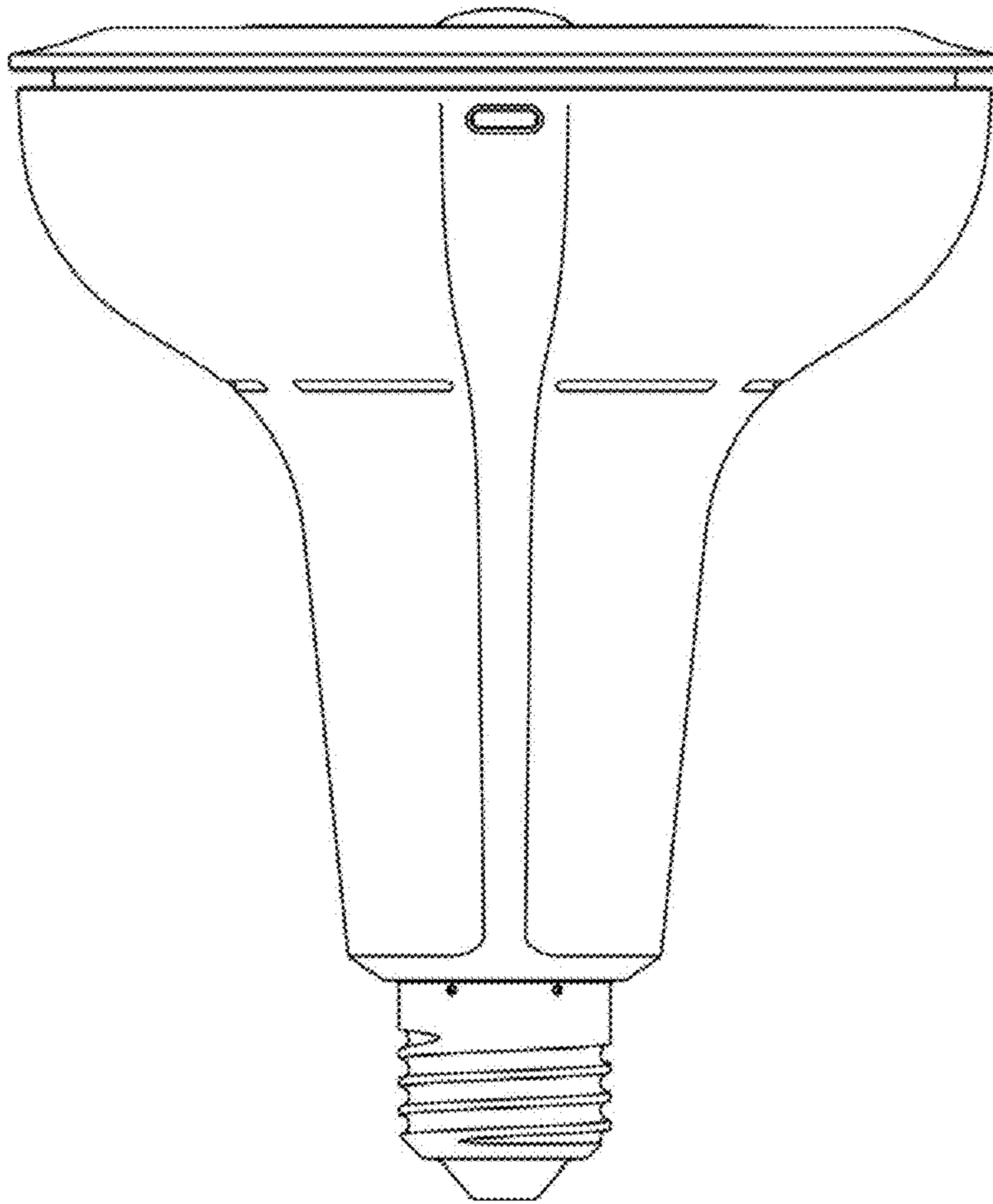


FIG. 2

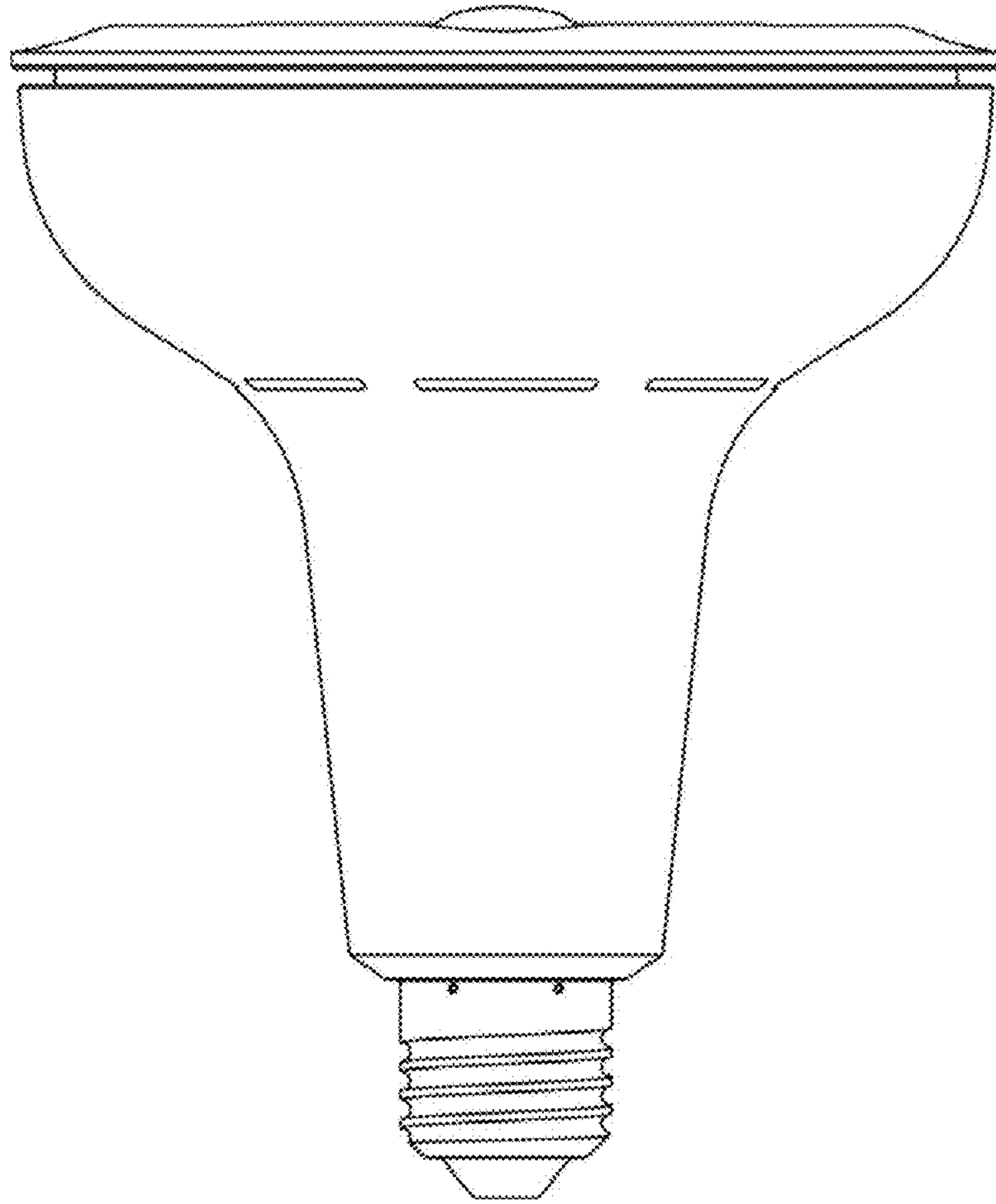


FIG. 3

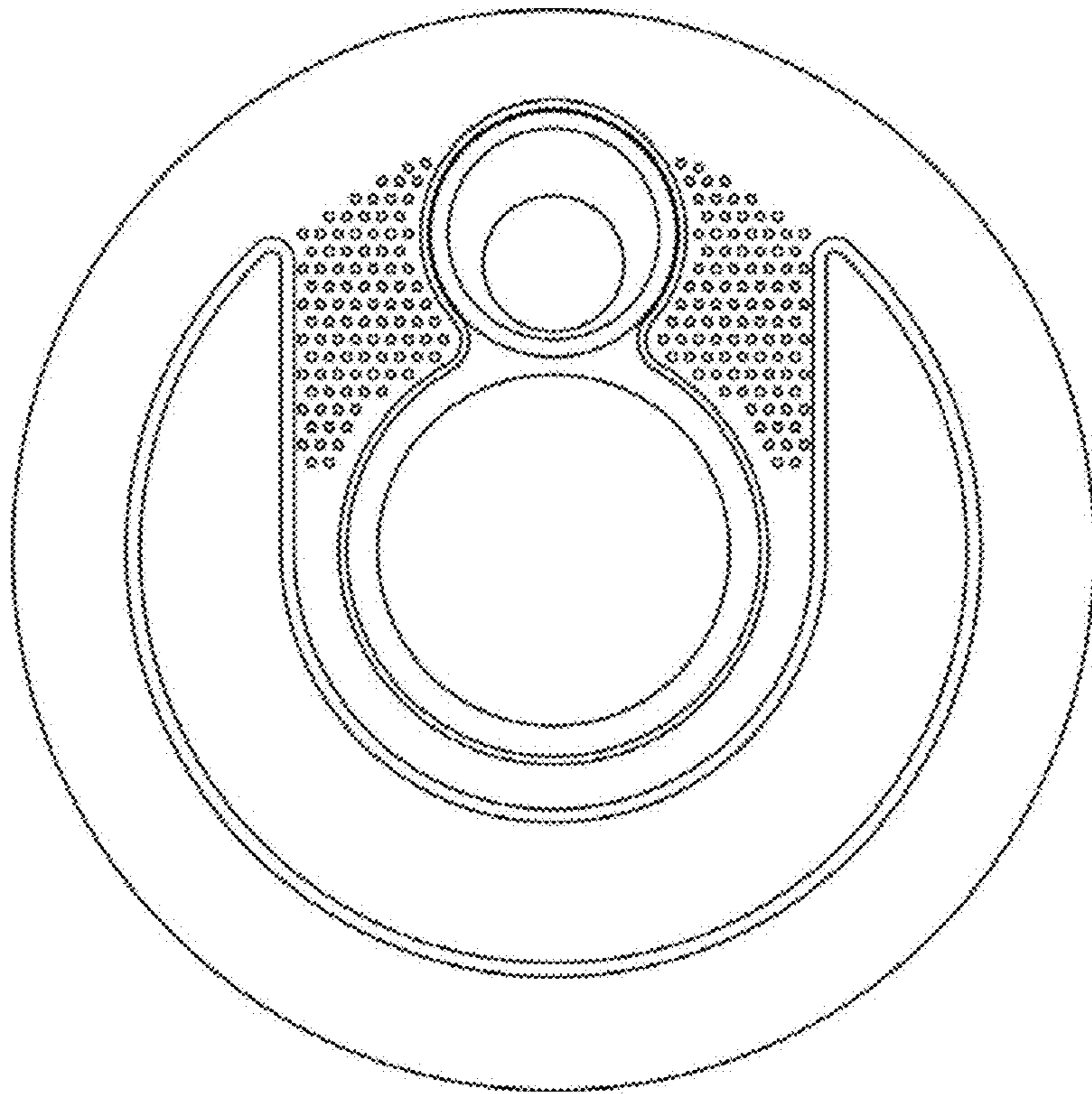


FIG. 4

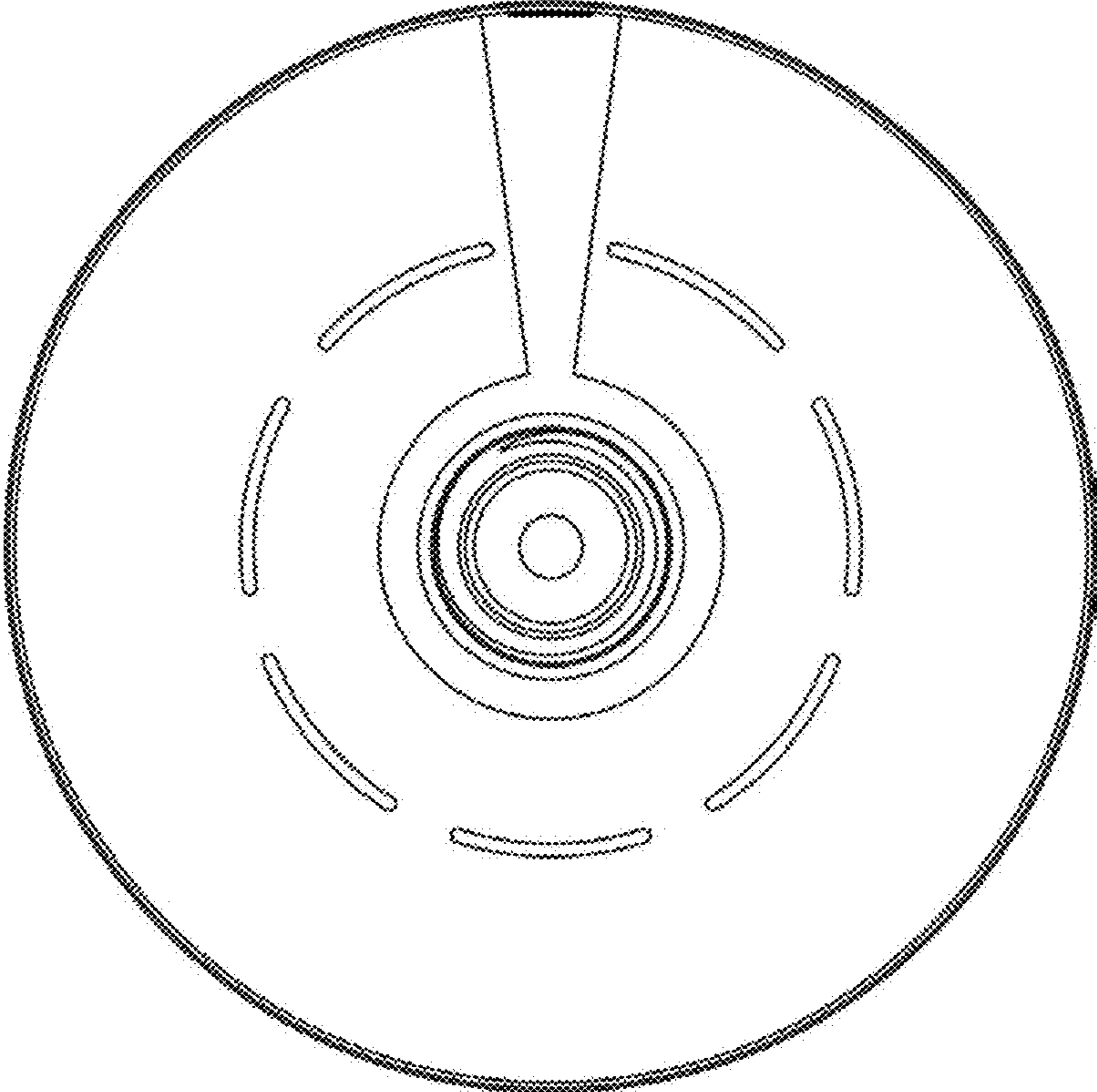


FIG. 5

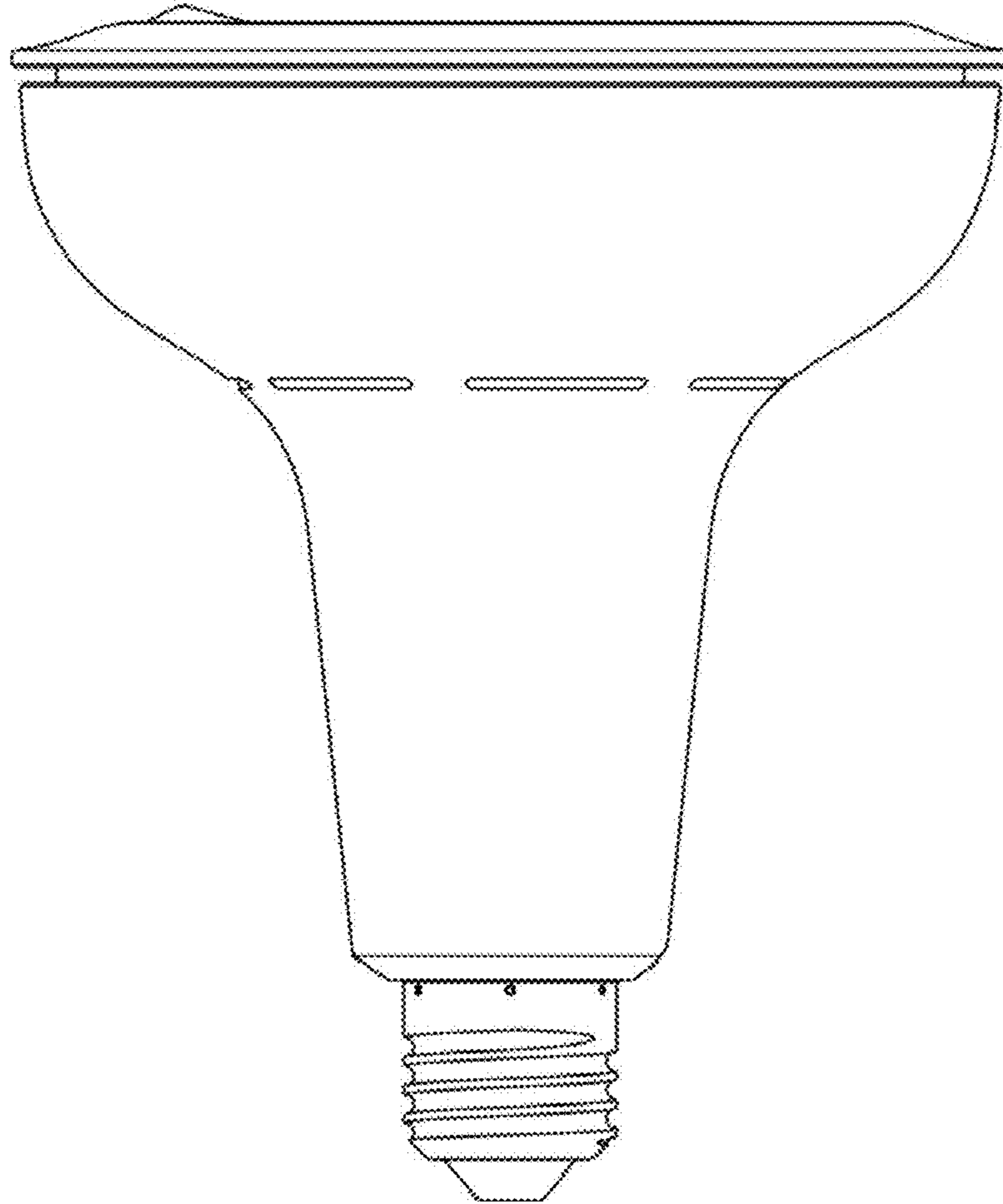


FIG. 6

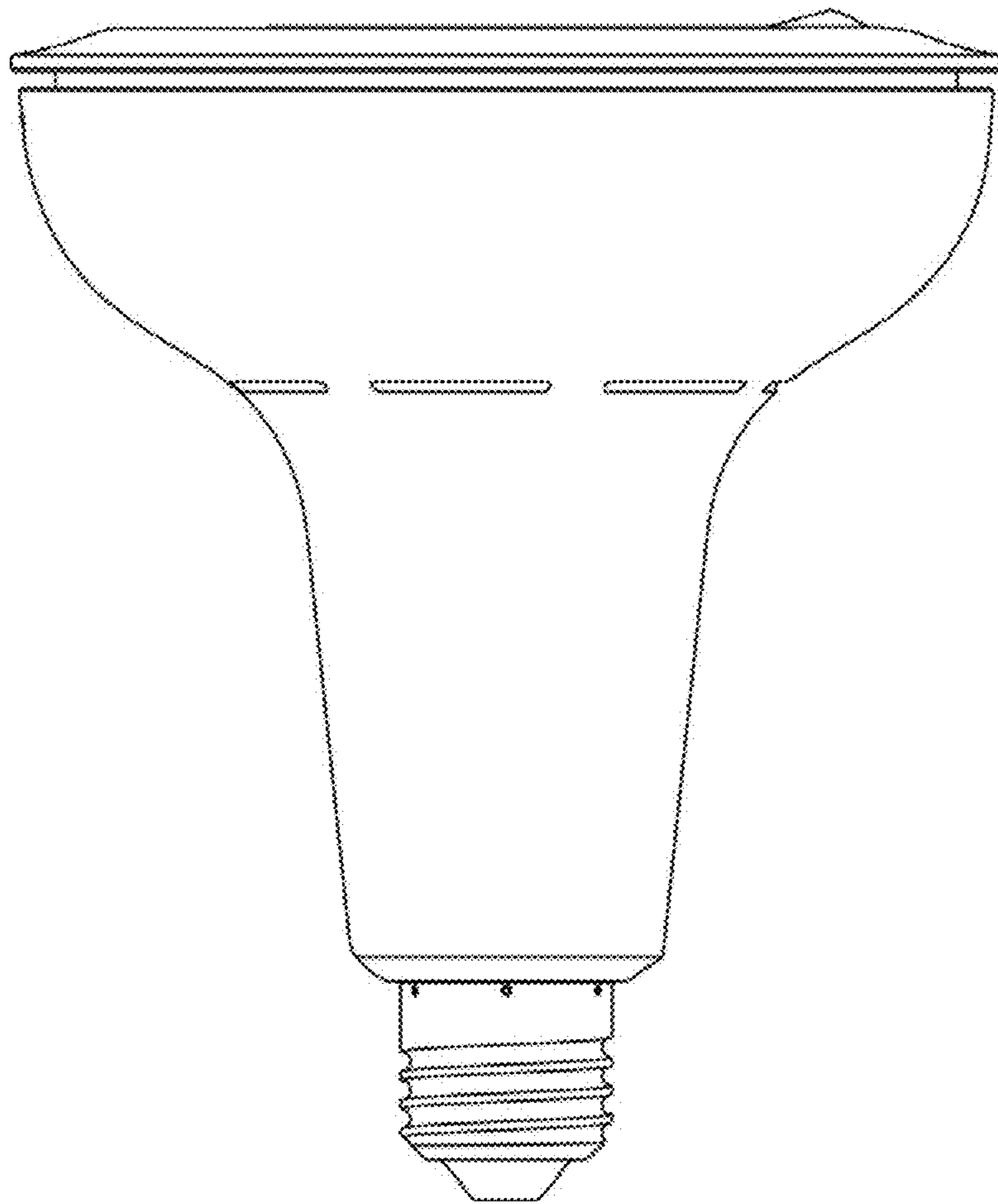


FIG. 7