



US00D766470S

(12) **United States Design Patent** (10) **Patent No.:** **US D766,470 S**  
**Tauterer et al.** (45) **Date of Patent:** **\*\* Sep. 13, 2016**

(54) **LED LIGHTING UNIT**

(71) Applicant: **Tridonic Jennersdorf GMBH**,  
Jennersdorf (AT)  
(72) Inventors: **Hannes Tauterer**, Ottendorf (AT);  
**Bernhard Fink**, Riegersburg (AT)  
(73) Assignee: **Tridonic Jennersdorf GMBH**,  
Jennersdorf (AT)

(\*\*) Term: **15 Years**  
(21) Appl. No.: **29/533,568**  
(22) Filed: **Jul. 20, 2015**

**Related U.S. Application Data**

(62) Division of application No. 29/468,045, filed on Sep. 26, 2013, now Pat. No. Des. 739,059.

(30) **Foreign Application Priority Data**

Mar. 28, 2013 (EM) ..... 001 365 936  
(51) **LOC (10) Cl.** ..... **26-04**  
(52) **U.S. Cl.**  
USPC ..... **D26/1; D13/180**  
(58) **Field of Classification Search**  
USPC ..... D26/1; D13/180; 313/313, 315, 316,  
313/317, 318, 493; 315/52, 53, 56, 57, 58  
CPC ..... H01J 5/48; H01J 5/50; H01J 19/54;  
F21V 5/00  
See application file for complete search history.

(56) **References Cited**

U.S. PATENT DOCUMENTS

D528,996 S *	9/2006	Egawa .....	D13/180
D573,553 S *	7/2008	Uemoto .....	D13/180
D577,690 S *	9/2008	Shida .....	D13/180
D598,401 S *	8/2009	Takada .....	D13/182
D622,876 S *	8/2010	Takahashi .....	D26/1

\* cited by examiner

*Primary Examiner* — Marcus Jackson

(74) *Attorney, Agent, or Firm* — Marshall, Gerstein & Borun LLP

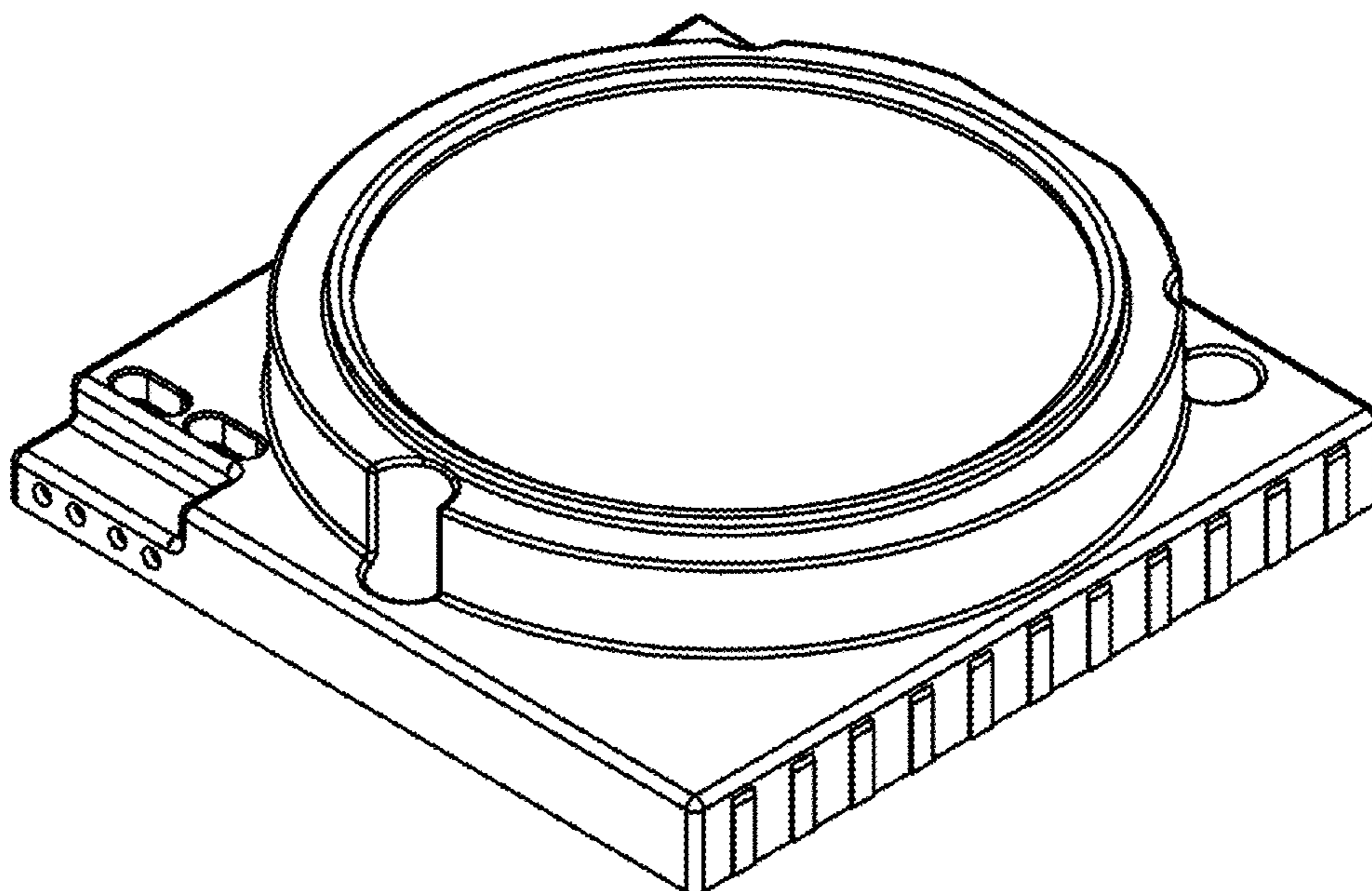
(57) **CLAIM**

The ornamental design for a LED lighting unit, as shown.

**DESCRIPTION**

FIG. 1 is a front, left-side, and top isometric view of an LED lighting unit showing the new design.  
FIG. 2 is a top plan view of the LED lighting unit.  
FIG. 3 is a right-side elevation view of the LED lighting unit.  
FIG. 4 is a front elevation view of the LED lighting unit.  
FIG. 5 is a left-side elevation view of the LED lighting unit.  
FIG. 6 is a back elevation view of the LED lighting unit; and,  
FIG. 7 is a bottom plan view of the LED lighting unit.

**1 Claim, 4 Drawing Sheets**



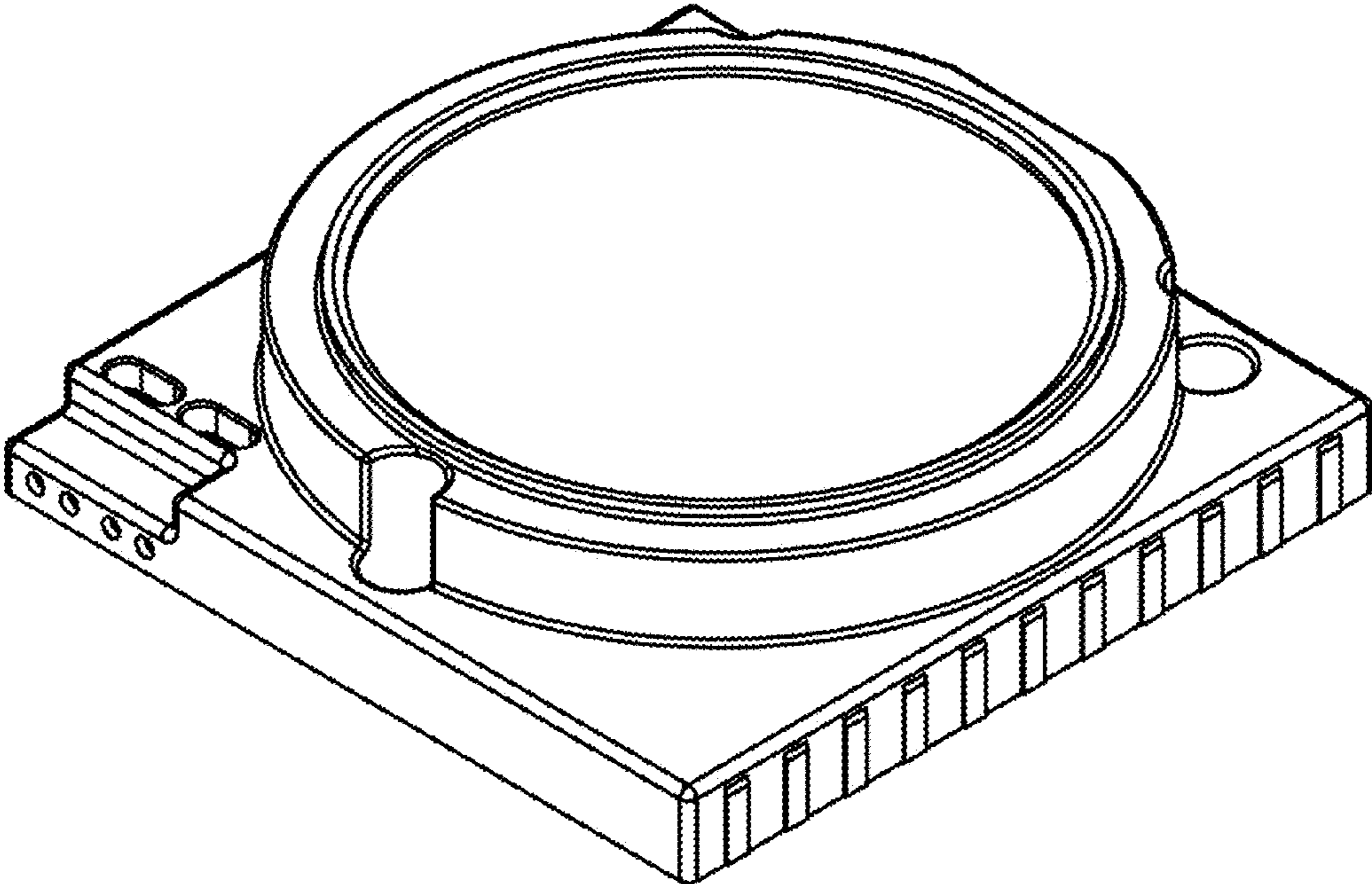


Fig. 1

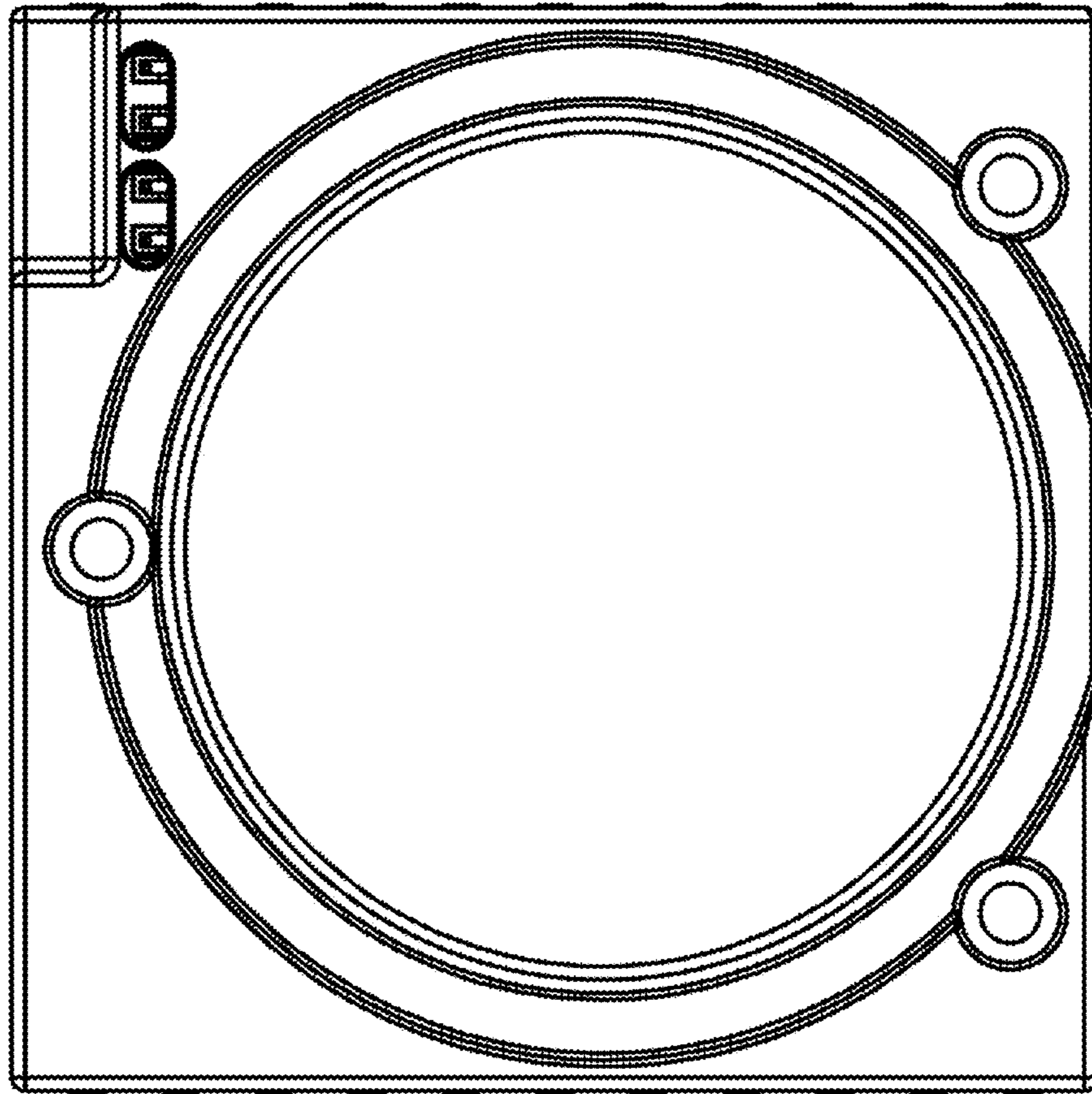


Fig. 2

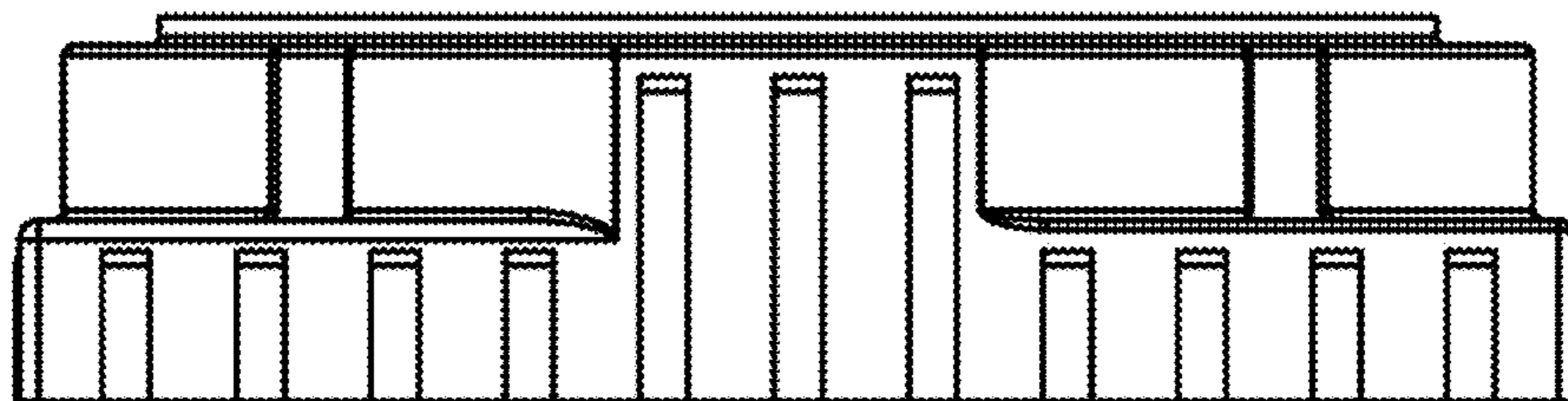


Fig. 3

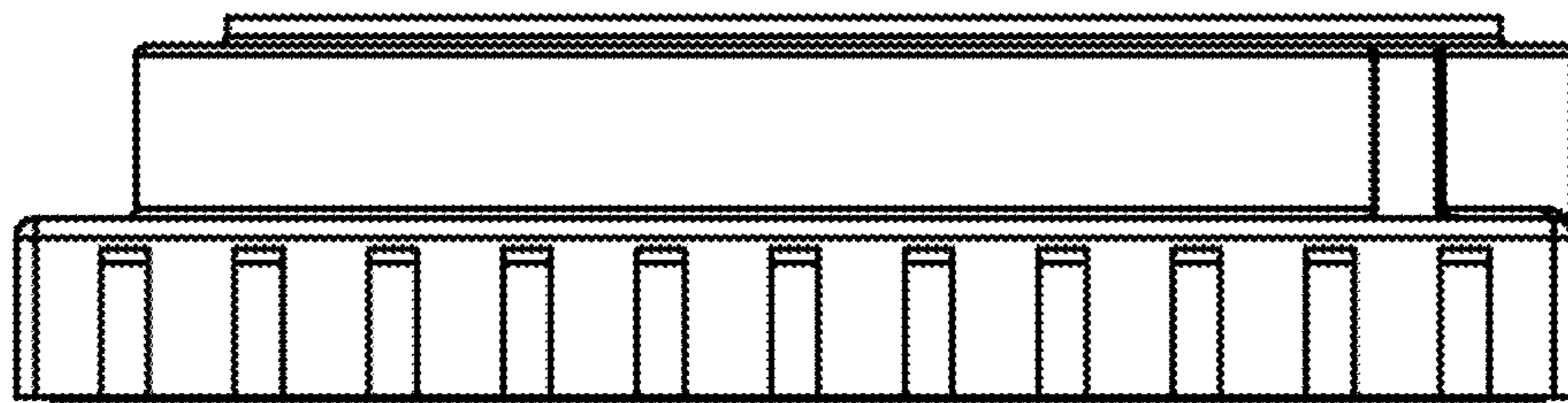


Fig. 4

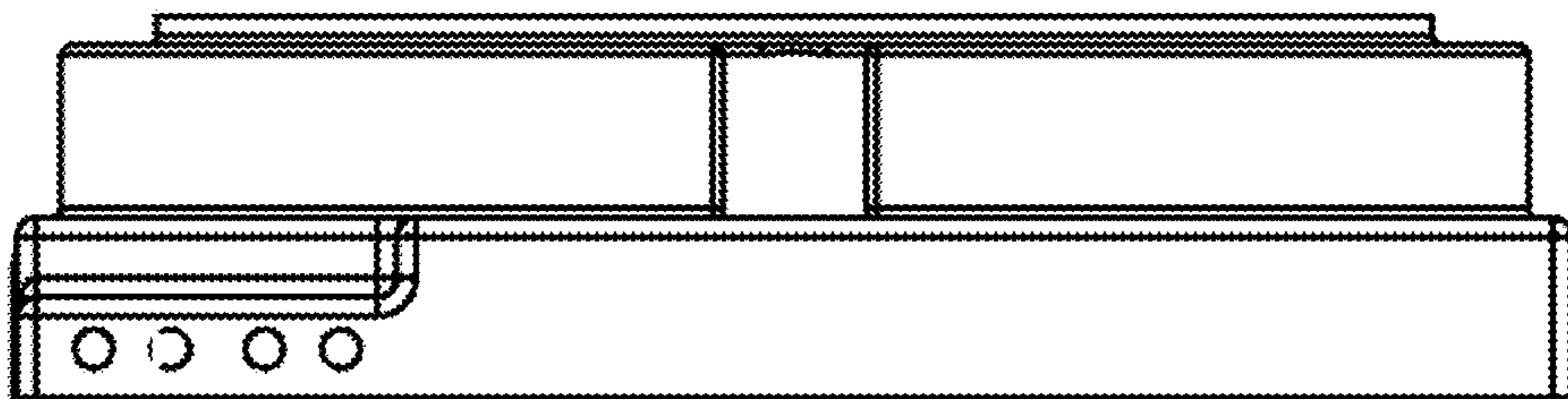


Fig. 5



Fig. 6

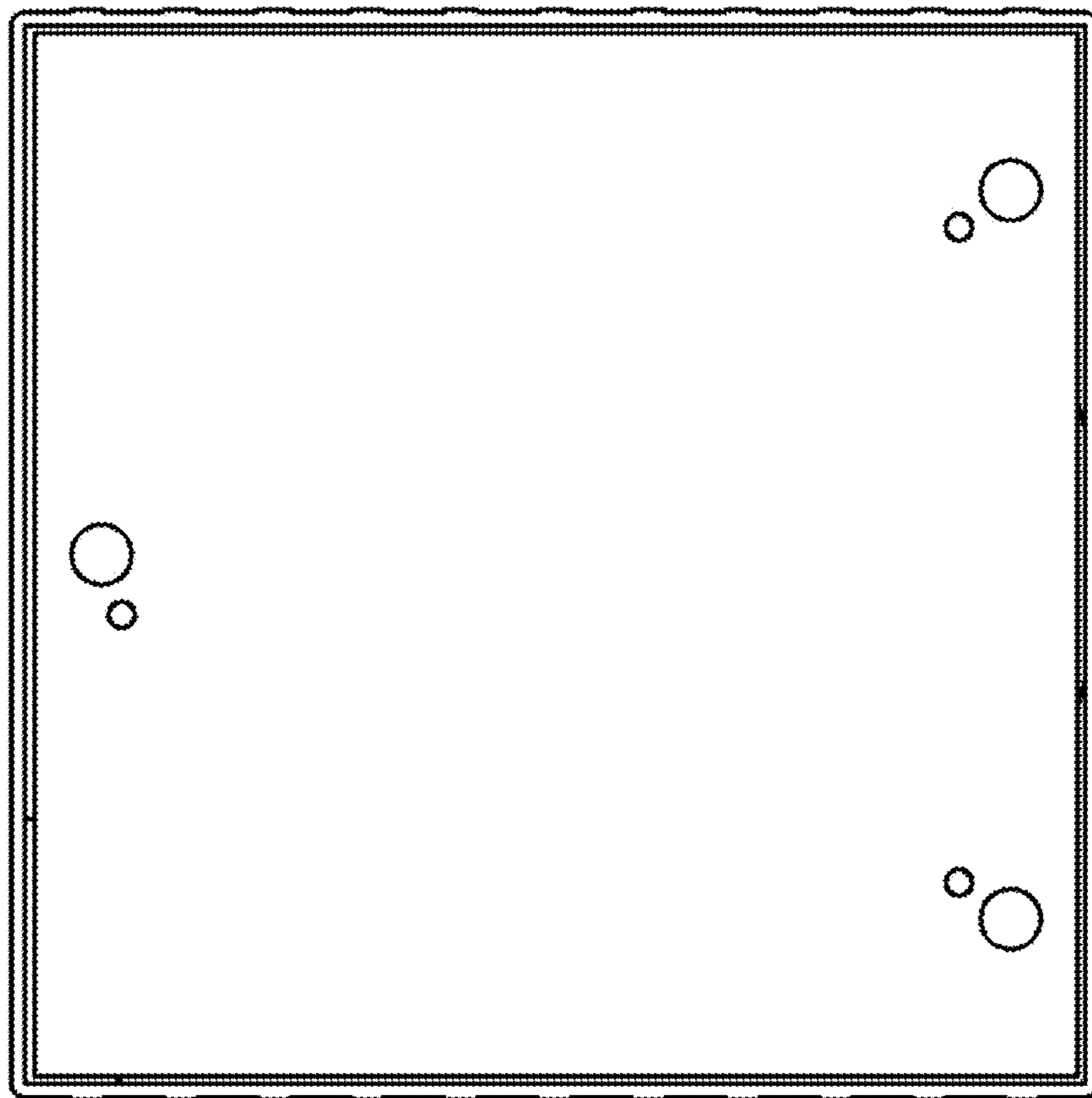


Fig. 7